



US00D881961S

(12) **United States Design Patent**  
**Bergeron**

(10) **Patent No.:** **US D881,961 S**

(45) **Date of Patent:** **\*\* Apr. 21, 2020**

(54) **ROBOT**

(71) Applicant: **SITA Information Networking  
Computing USA, Inc., Atlanta, GA  
(US)**

(72) Inventor: **Luc Bergeron, Boussens (CH)**

(73) Assignee: **SITA Information Networking  
Computing USA, Inc., Atlanta, GA  
(US)**

(\*\*) Term: **15 Years**

(21) Appl. No.: **29/626,575**

(22) Filed: **Nov. 17, 2017**

(30) **Foreign Application Priority Data**

May 19, 2017 (EM) ..... 004009363-0001  
May 19, 2017 (EM) ..... 004009363-0002

(51) **LOC (12) Cl.** ..... **15-99**

(52) **U.S. Cl.**  
USPC ..... **D15/199**

(58) **Field of Classification Search**  
USPC ..... D15/199; D21/578-583, 621, 622  
CPC ..... B25J 11/009; G05D 1/024; G05D 1/027;  
G05D 1/0011; G05D 1/0227; G05D  
1/0242; G05D 1/0246; G05D 1/0255;  
G05D 1/0272; G05D 1/0274; G05D  
2201/0206; G05D 2201/0211

See application file for complete search history.

(56) **References Cited**

**U.S. PATENT DOCUMENTS**

D285,599 S \* 9/1986 Forino ..... D21/578  
D290,032 S \* 5/1987 Horiuchi ..... D21/578  
D293,344 S \* 12/1987 Shiraishi ..... D21/578  
D293,346 S \* 12/1987 Horiuchi ..... D21/578  
D314,401 S \* 2/1991 Lehman ..... D20/3

D353,323 S \* 12/1994 Meng ..... D21/578  
5,748,850 A 5/1998 Sakurai  
5,793,639 A 8/1998 Yamazaki  
5,897,620 A 4/1999 Walker  
6,044,353 A 3/2000 Pugliese, III  
(Continued)

**FOREIGN PATENT DOCUMENTS**

DE 102009020228 A1 11/2010  
EP 1308864 A1 5/2003  
(Continued)

*Primary Examiner* — Patricia A Palasik

(74) *Attorney, Agent, or Firm* — Morris, Manning &  
Martin, LLP; Daniel E. Sineway, Esq.; Adam J.  
Thompson, Esq.

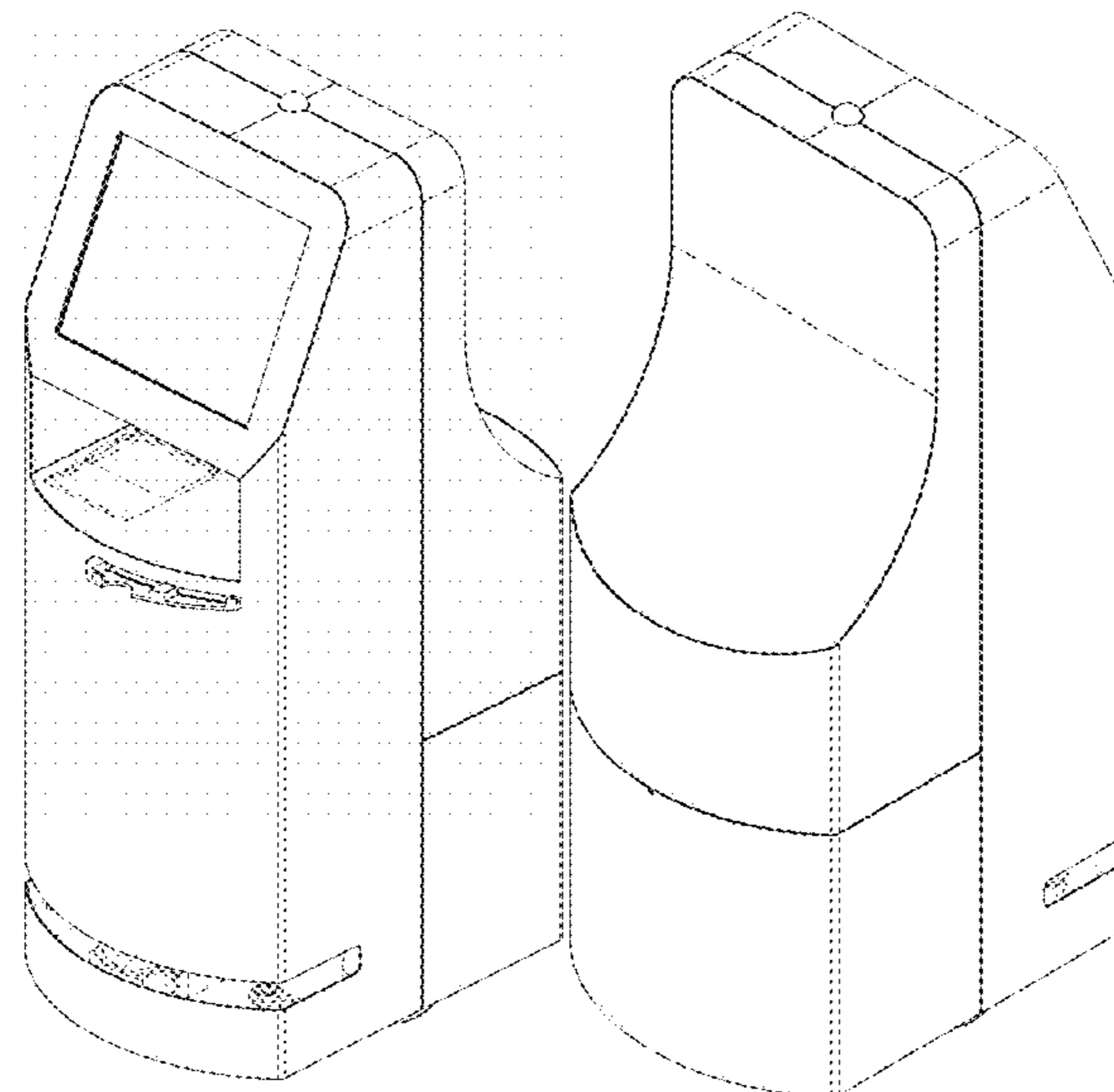
(57) **CLAIM**

The ornamental design for a robot, as shown and described.

**DESCRIPTION**

FIG. 1 is a front perspective view of an exemplary robot;  
FIG. 2 is a rear perspective view of an exemplary robot;  
FIG. 3 is a front view of an exemplary robot;  
FIG. 4 is a rear view of an exemplary robot;  
FIG. 5 is a right side view of an exemplary robot;  
FIG. 6 is a top view of an exemplary robot;  
FIG. 7 is a bottom view of an exemplary robot;  
FIG. 8 is a left side view of an exemplary robot;  
FIG. 9 is a front perspective view of an exemplary robot;  
FIG. 10 is a rear perspective view of an exemplary robot;  
FIG. 11 is a front view of an exemplary robot;  
FIG. 12 is a rear view of an exemplary robot;  
FIG. 13 is a right side view of an exemplary robot;  
FIG. 14 is a top view of an exemplary robot;  
FIG. 15 is a bottom view of an exemplary robot; and,  
FIG. 16 is a left side view of an exemplary robot.  
The broken lines in the drawings depict portions of the robot  
that form no part of the claimed design.

**1 Claim, 16 Drawing Sheets**



(56)

References Cited

U.S. PATENT DOCUMENTS

D427,742 S \* 7/2000 McCormack ..... D99/28  
 6,259,405 B1 7/2001 Stewart  
 D450,788 S \* 11/2001 Kawasaki ..... D21/578  
 D456,080 S \* 4/2002 Karlsson ..... D24/185  
 6,414,635 B1 7/2002 Stewart  
 6,553,336 B1 4/2003 Johnson  
 6,735,630 B1 5/2004 Gelvin  
 6,736,322 B2 5/2004 Gobburu  
 6,758,394 B2 7/2004 Maskatiya  
 6,972,682 B2 12/2005 Lareau  
 7,027,808 B2 4/2006 Wesby  
 D549,756 S \* 8/2007 Park ..... D15/199  
 7,275,689 B2 10/2007 Mak  
 D559,288 S \* 1/2008 Matsuda ..... D15/199  
 D579,035 S \* 10/2008 Kim ..... D15/199  
 7,486,171 B2 2/2009 Kim  
 7,599,847 B2 10/2009 Block  
 D635,603 S \* 4/2011 Paz Rodriguez ..... D15/199  
 D644,256 S \* 8/2011 Kitano ..... D15/199  
 D663,333 S \* 7/2012 Kitano ..... D15/199  
 D663,334 S \* 7/2012 Kitano ..... D15/199  
 8,229,458 B2 7/2012 Busch  
 8,265,793 B2 \* 9/2012 Cross ..... H04N 7/15  
 180/168  
 D675,656 S \* 2/2013 Sutherland ..... D15/199  
 8,467,726 B2 6/2013 Shirakata  
 D685,438 S \* 7/2013 Fan ..... D15/199  
 8,509,441 B2 8/2013 Yoon  
 8,521,681 B2 8/2013 Ouchi  
 D696,658 S \* 12/2013 Winston ..... D14/307  
 8,631,358 B2 1/2014 Louch  
 D701,256 S \* 3/2014 Song ..... D15/199  
 8,665,238 B1 3/2014 Gossweiler, III  
 D709,141 S \* 7/2014 Parker ..... D15/199  
 D719,621 S \* 12/2014 Song ..... D21/578  
 8,949,142 B1 2/2015 Angrish  
 D725,166 S \* 3/2015 Paik ..... D15/199

D725,167 S \* 3/2015 Song ..... D15/199  
 8,977,568 B1 3/2015 Schattauer  
 D726,836 S \* 4/2015 Song ..... D15/199  
 9,014,848 B2 \* 4/2015 Farlow ..... B25J 11/009  
 700/245  
 9,024,752 B2 5/2015 Tumayan  
 9,026,461 B2 5/2015 Calman  
 D732,096 S \* 6/2015 Jang ..... D15/199  
 9,047,512 B2 6/2015 Otis  
 D735,258 S \* 7/2015 Jang ..... D15/199  
 9,134,955 B2 9/2015 Healey  
 9,141,325 B2 9/2015 Dersy  
 9,174,342 B2 \* 11/2015 Pinter ..... G06Q 50/22  
 9,239,246 B2 1/2016 Jones  
 9,275,550 B1 3/2016 Stefani  
 9,541,632 B2 1/2017 Frank  
 9,552,564 B1 1/2017 Martenis  
 9,589,262 B2 3/2017 Graylin  
 9,589,405 B2 3/2017 Cabouli  
 9,599,989 B1 3/2017 Brown  
 9,710,920 B2 7/2017 Utsunomiya  
 9,749,831 B2 8/2017 Lee  
 2005/0258230 A1 11/2005 Wiater  
 2009/0266882 A1 10/2009 Sajkowsky  
 2012/0041313 A1 2/2012 Tanaka  
 2014/0223043 A1 8/2014 Dersy  
 2016/0152350 A1 6/2016 Puentes  
 2016/0180255 A1 6/2016 Goedemondt  
 2017/0004444 A1 1/2017 Krasko  
 2017/0032263 A1 2/2017 Yuan

FOREIGN PATENT DOCUMENTS

EP 0770546 B1 12/2003  
 EP 2932902 B1 12/2016  
 EP 1872294 B1 11/2017  
 JP 2003157984 A 5/2003  
 JP 2017129981 A 7/2017

\* cited by examiner

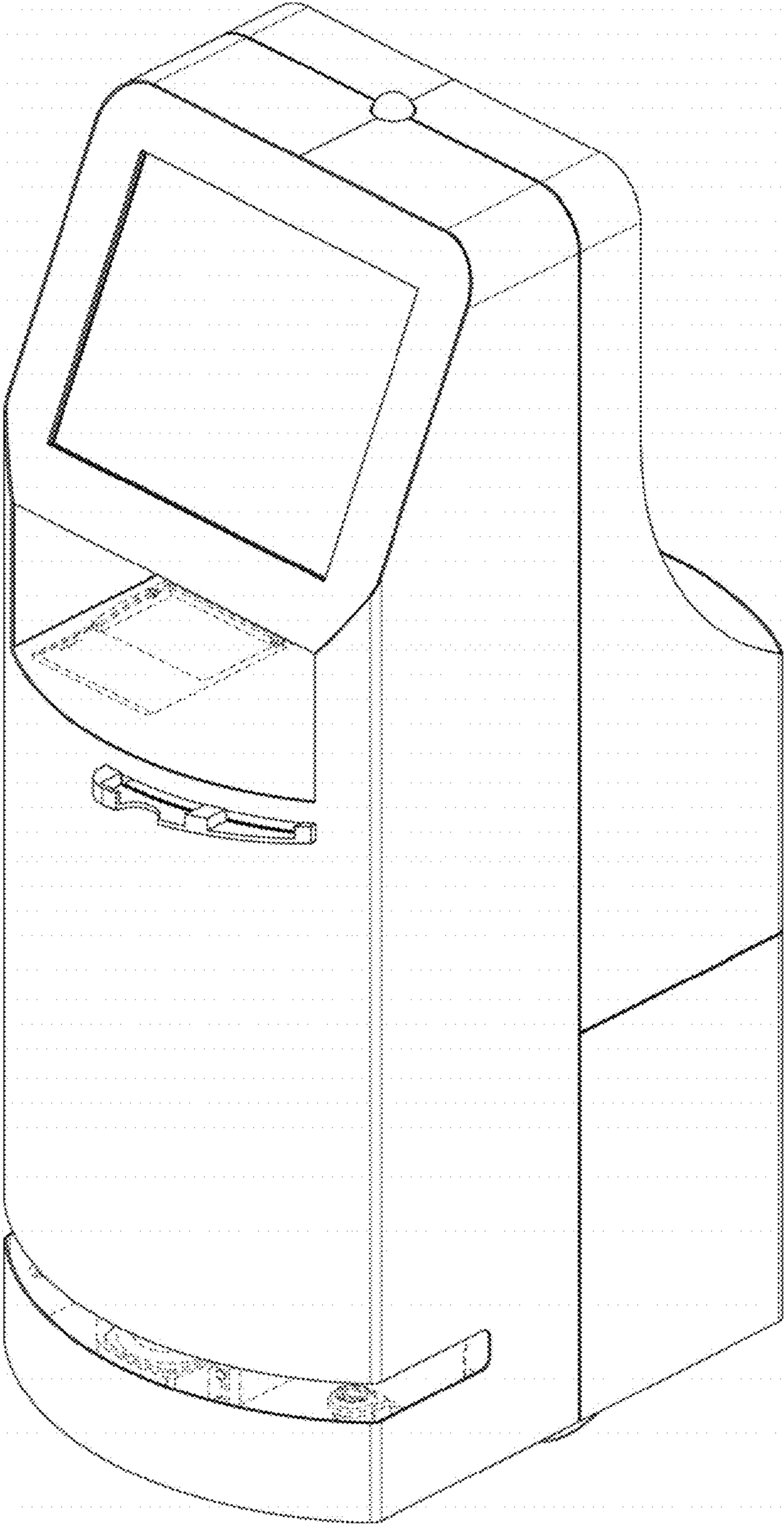


FIG. 1

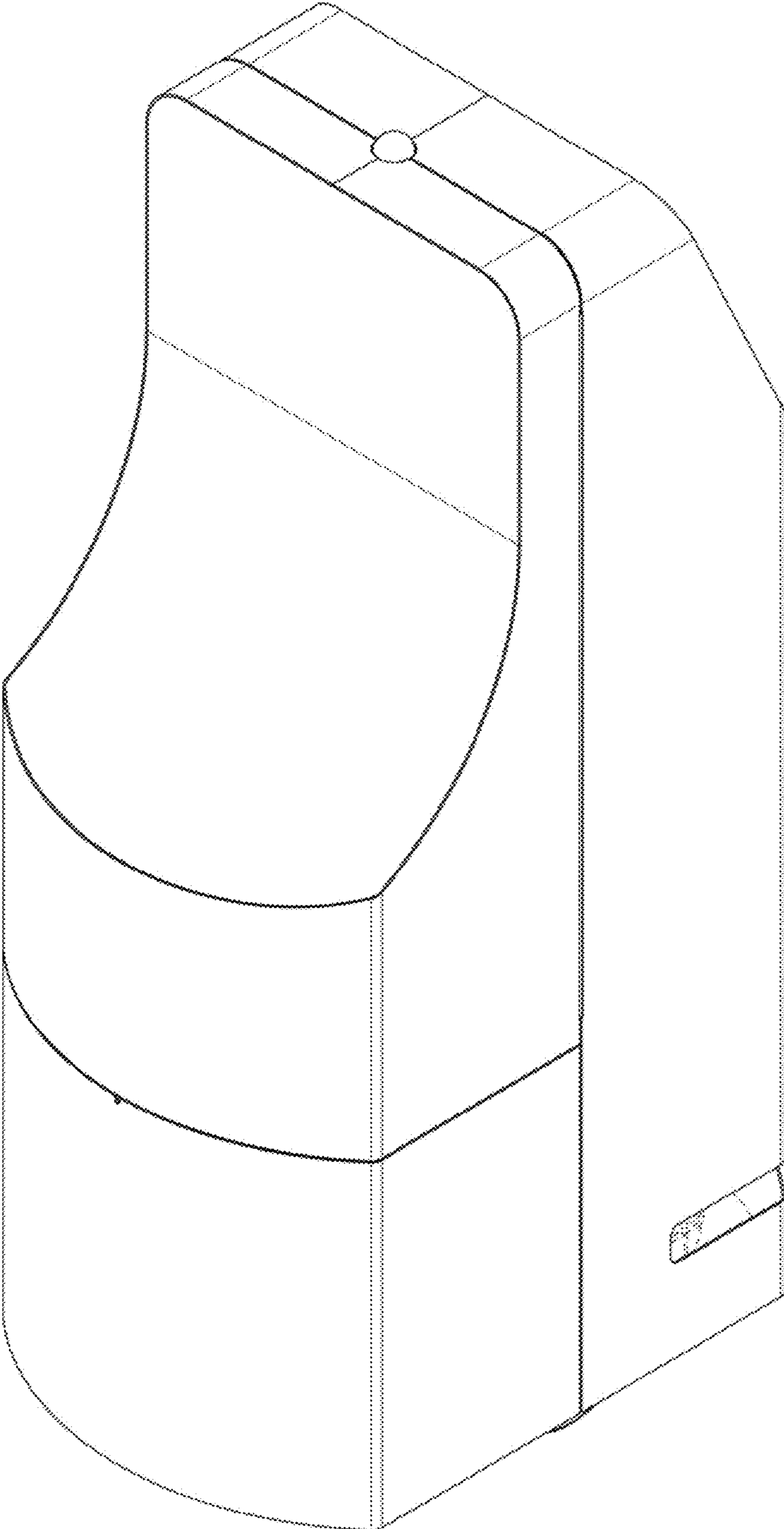


FIG. 2

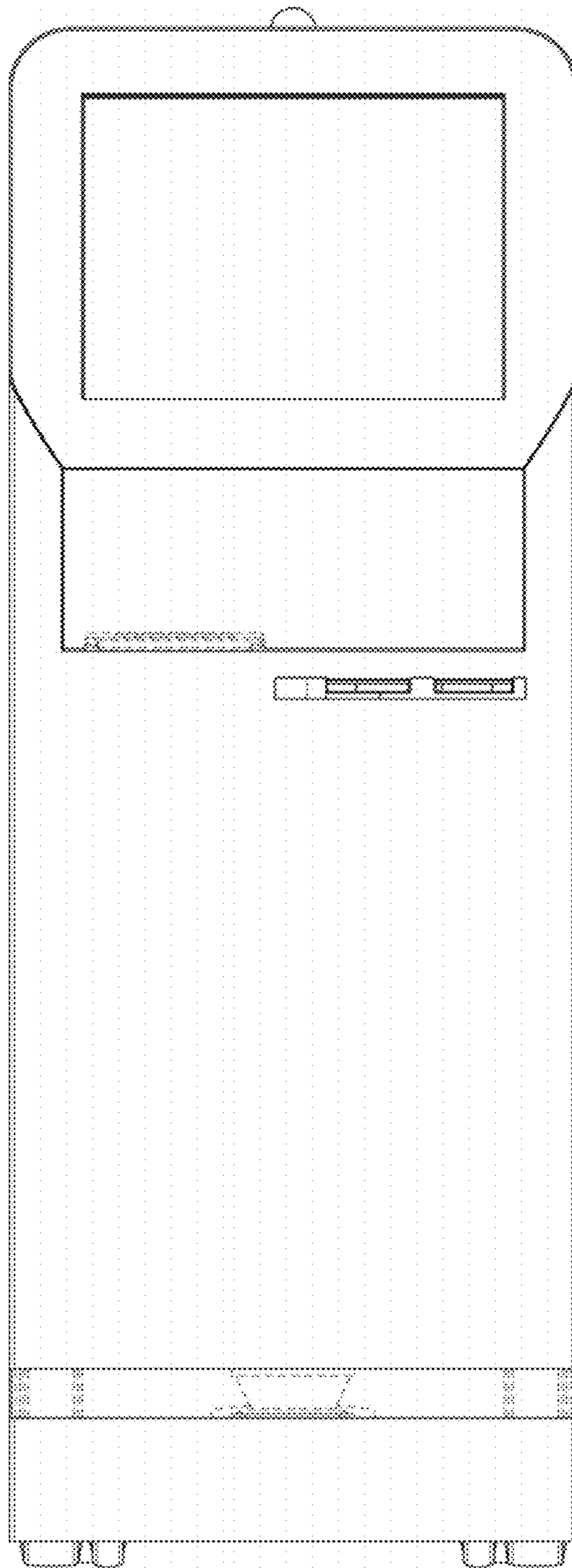


FIG. 3

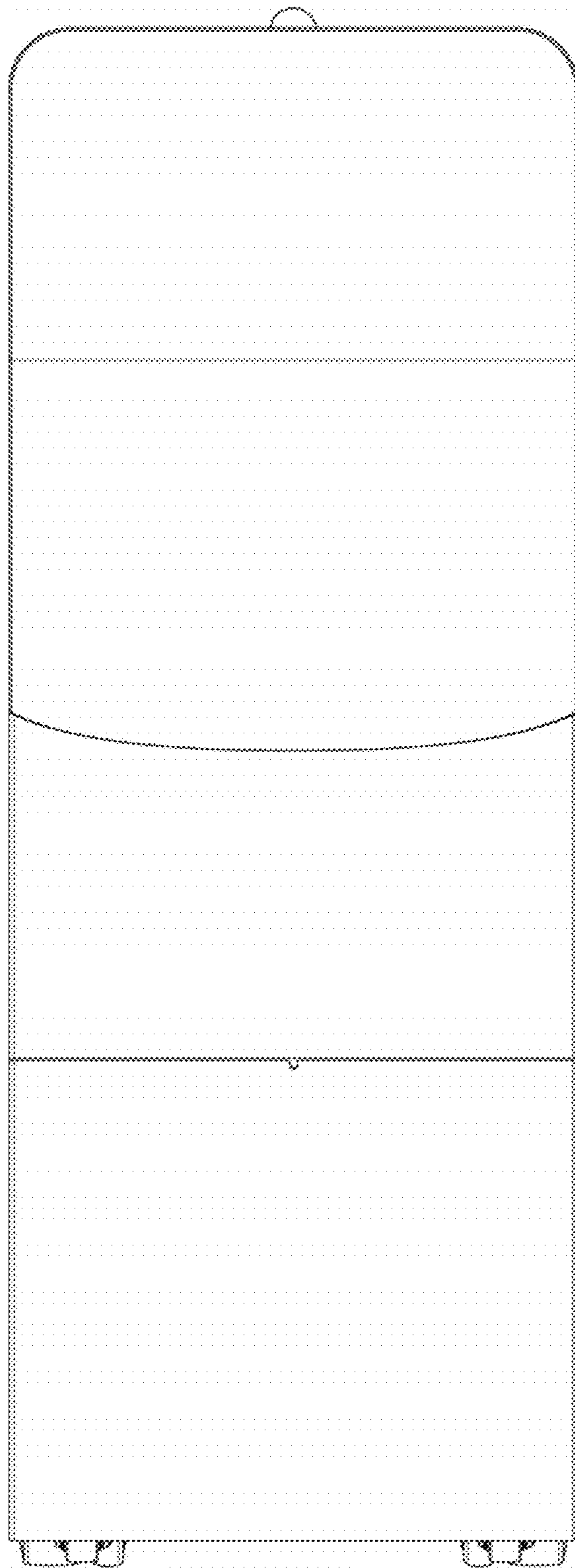


FIG. 4

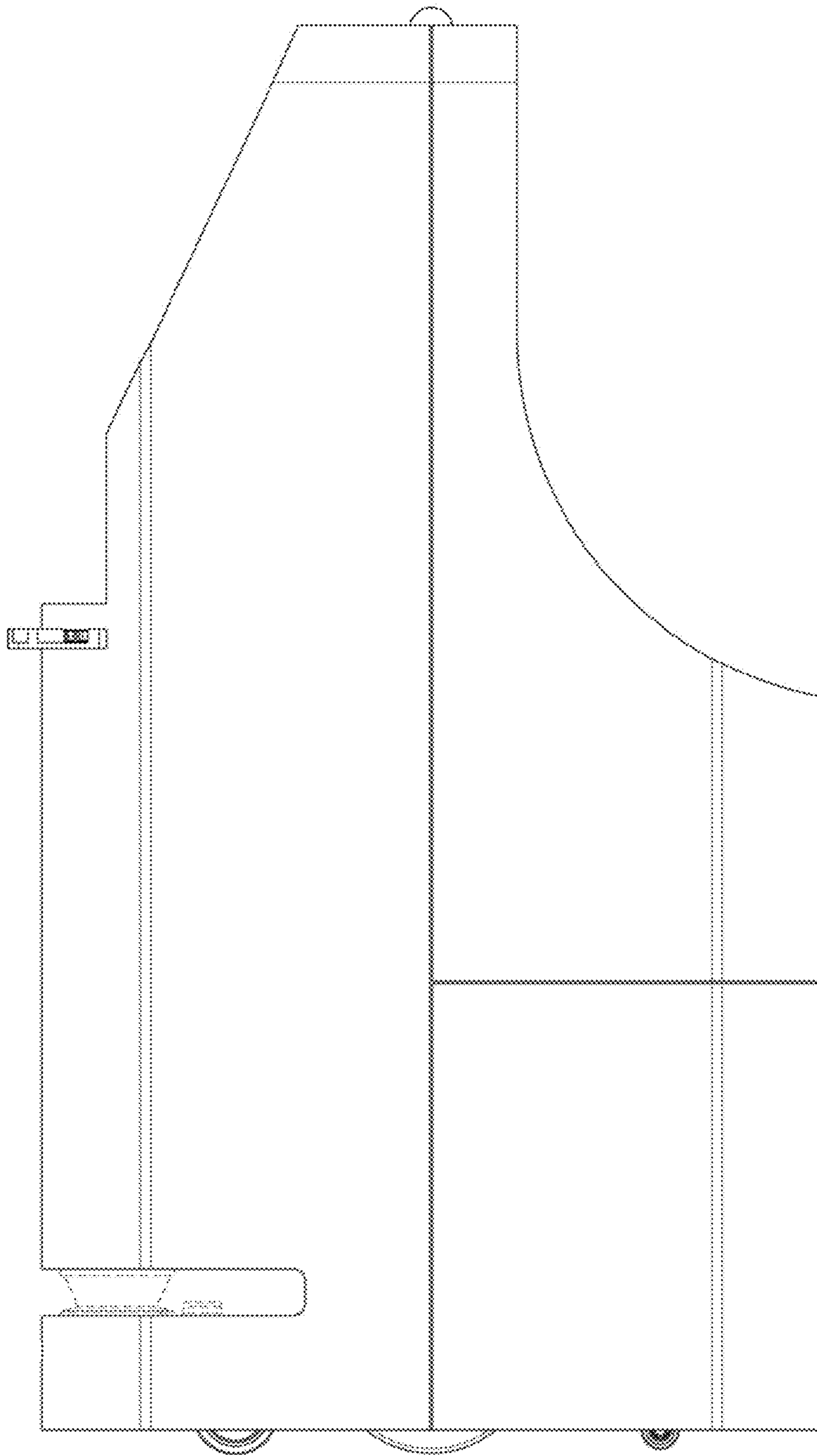


FIG. 5

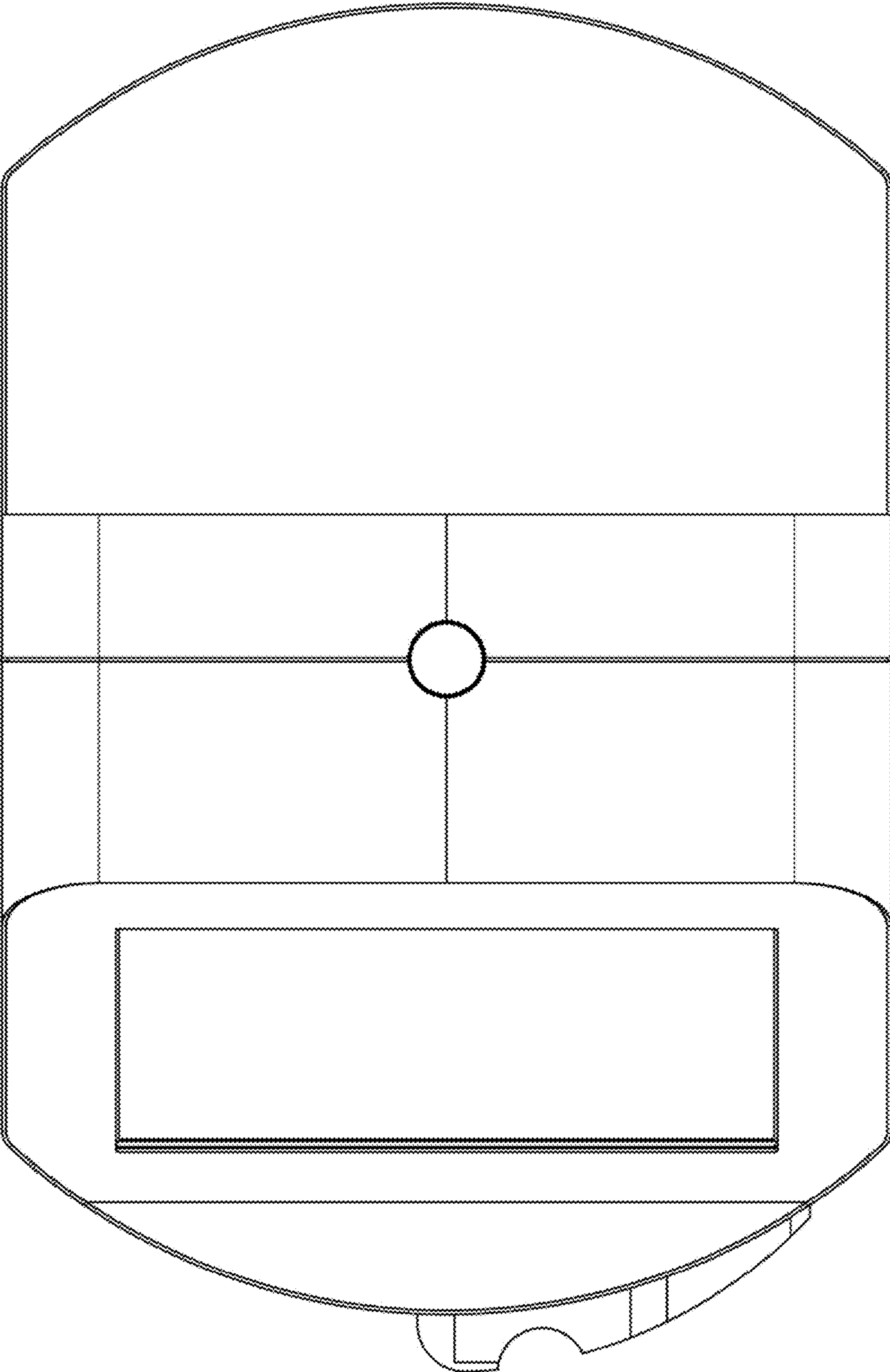


FIG. 6



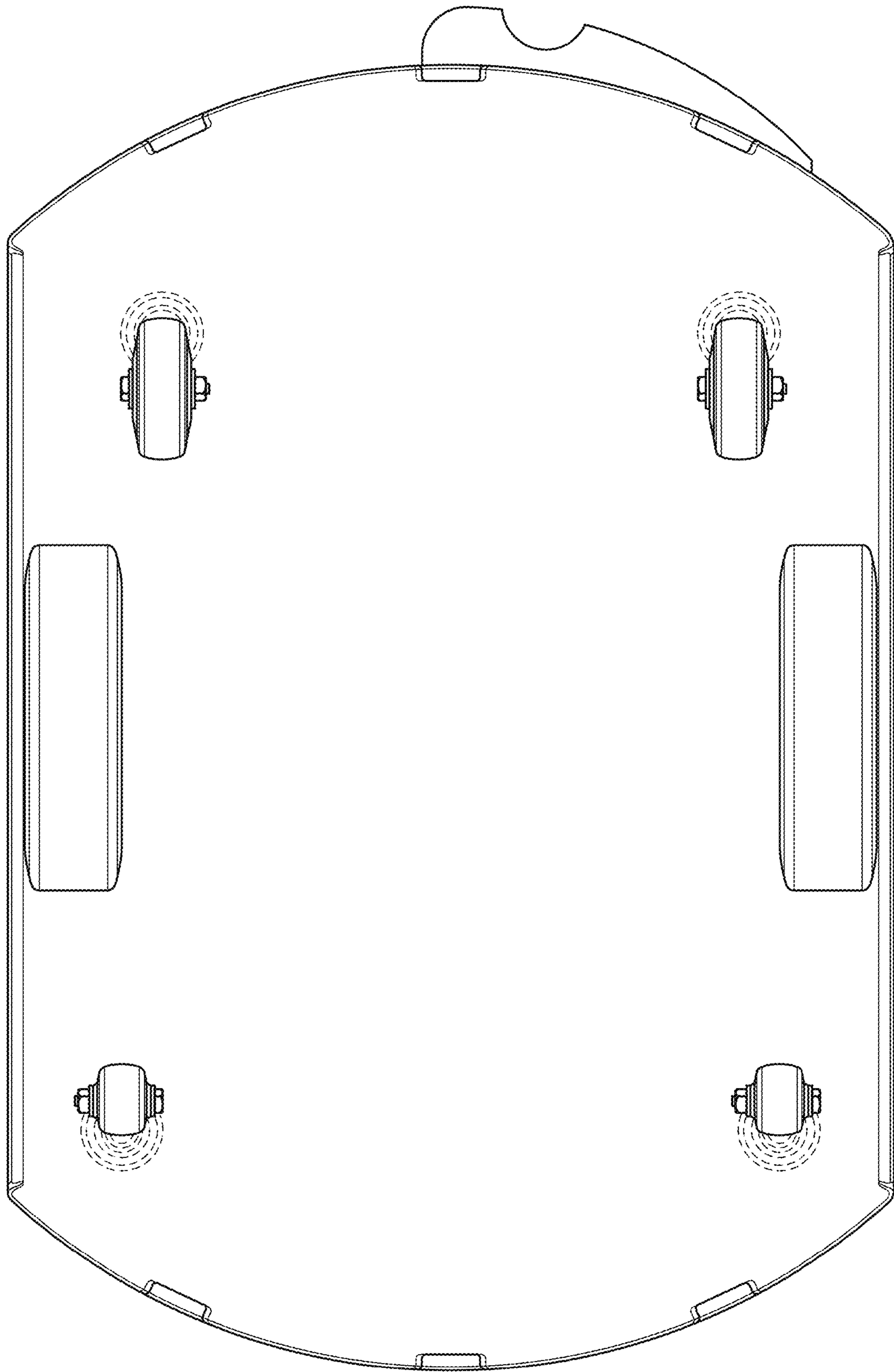


FIG. 7

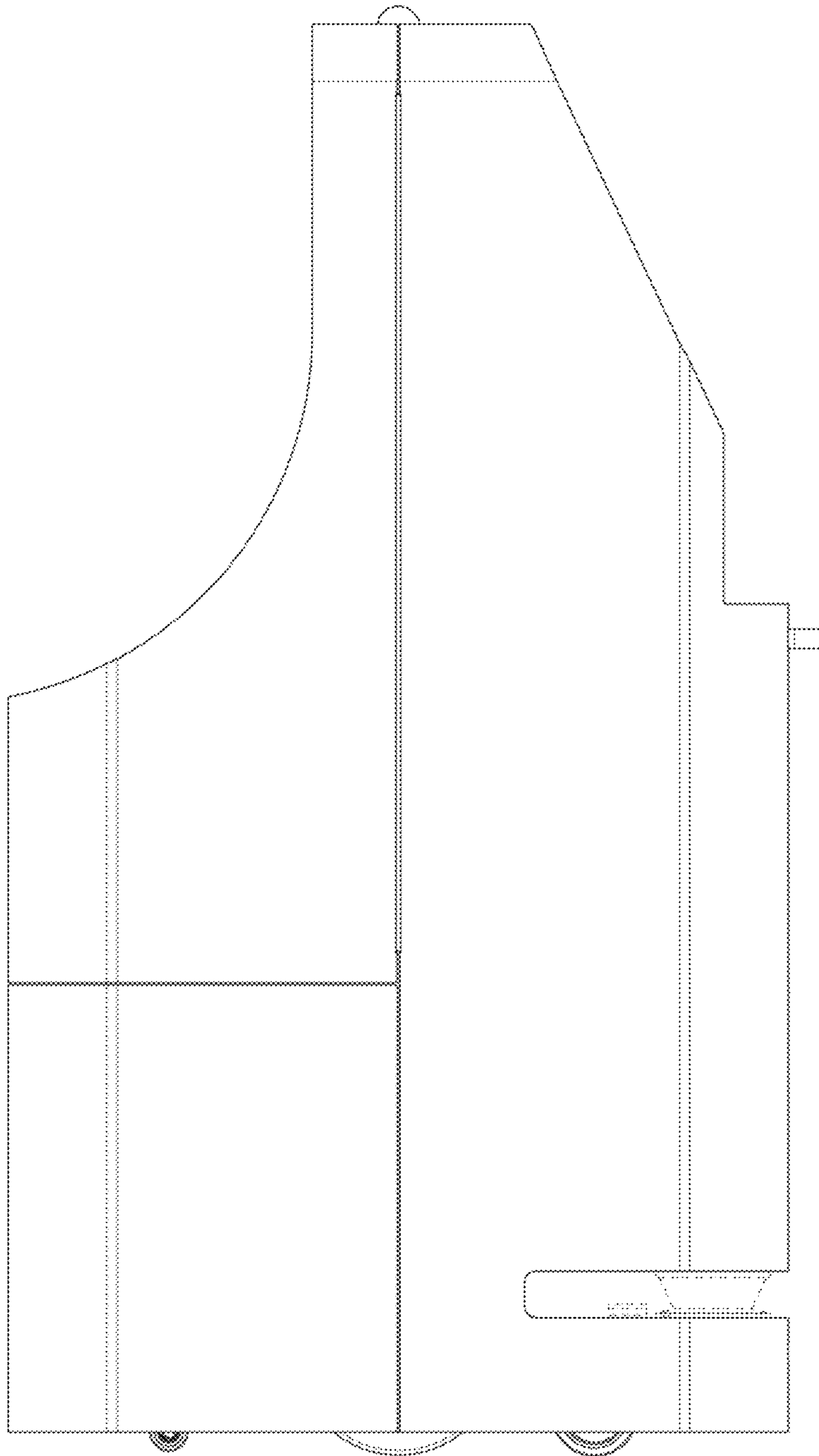


FIG. 8

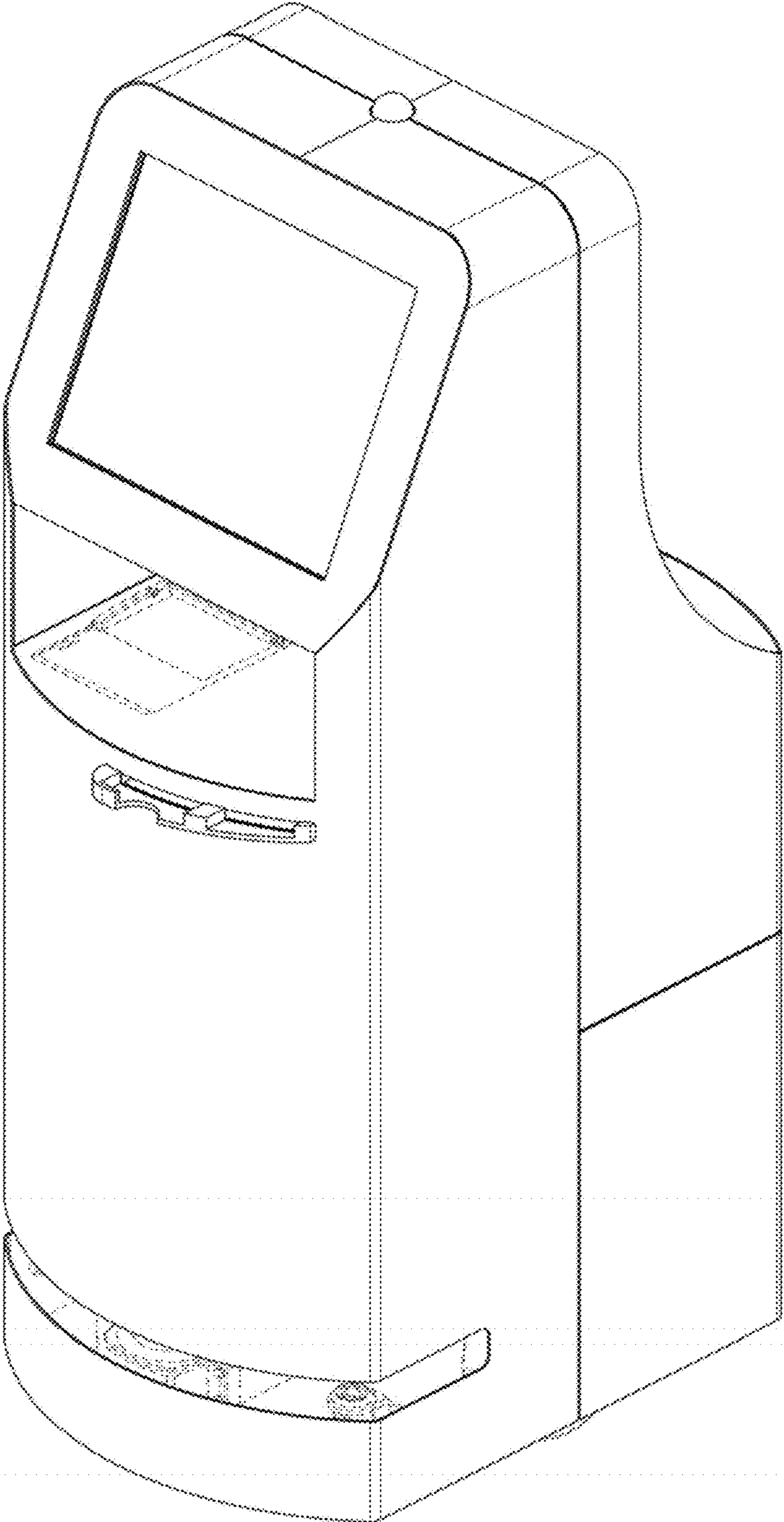


FIG. 9

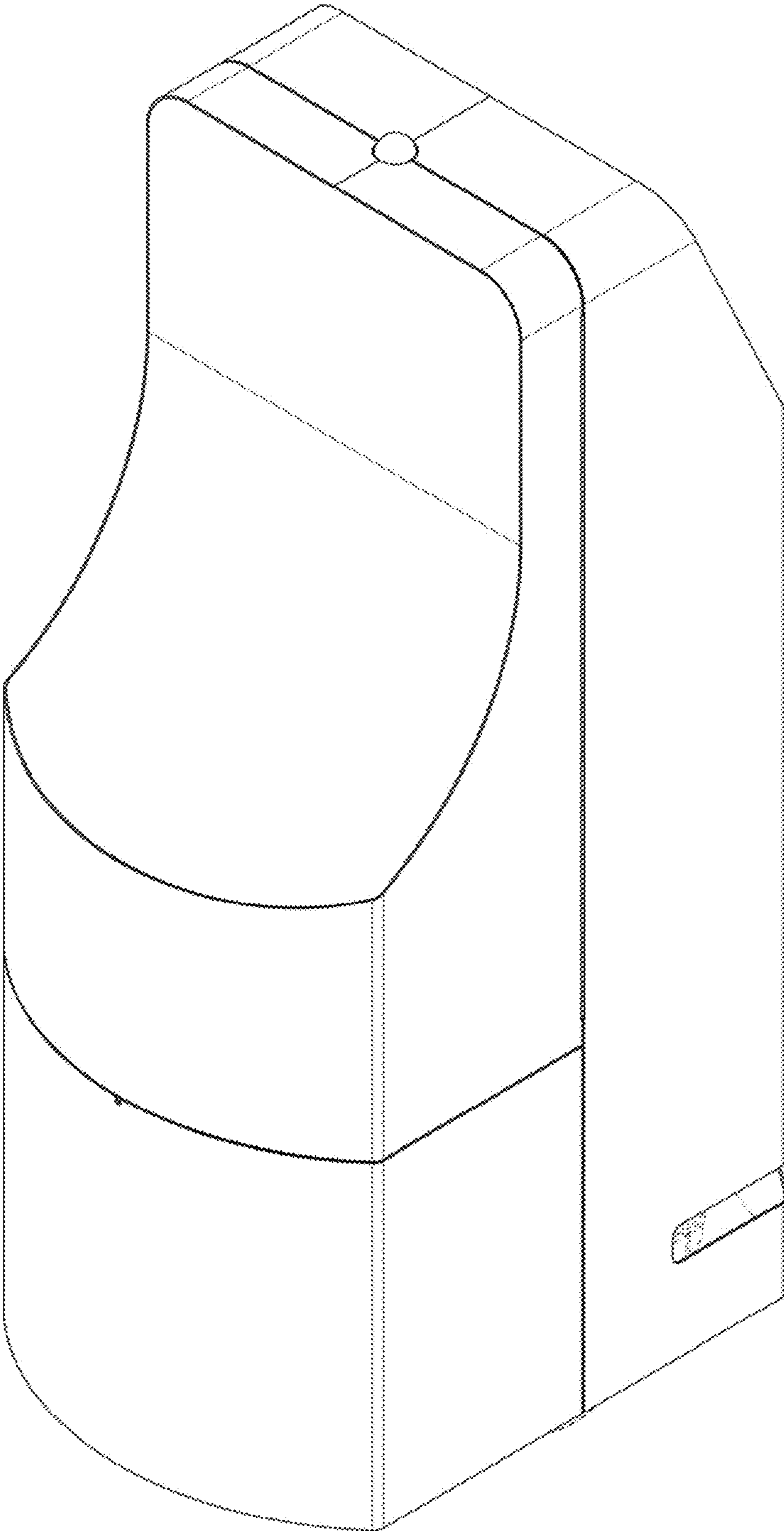


FIG. 10

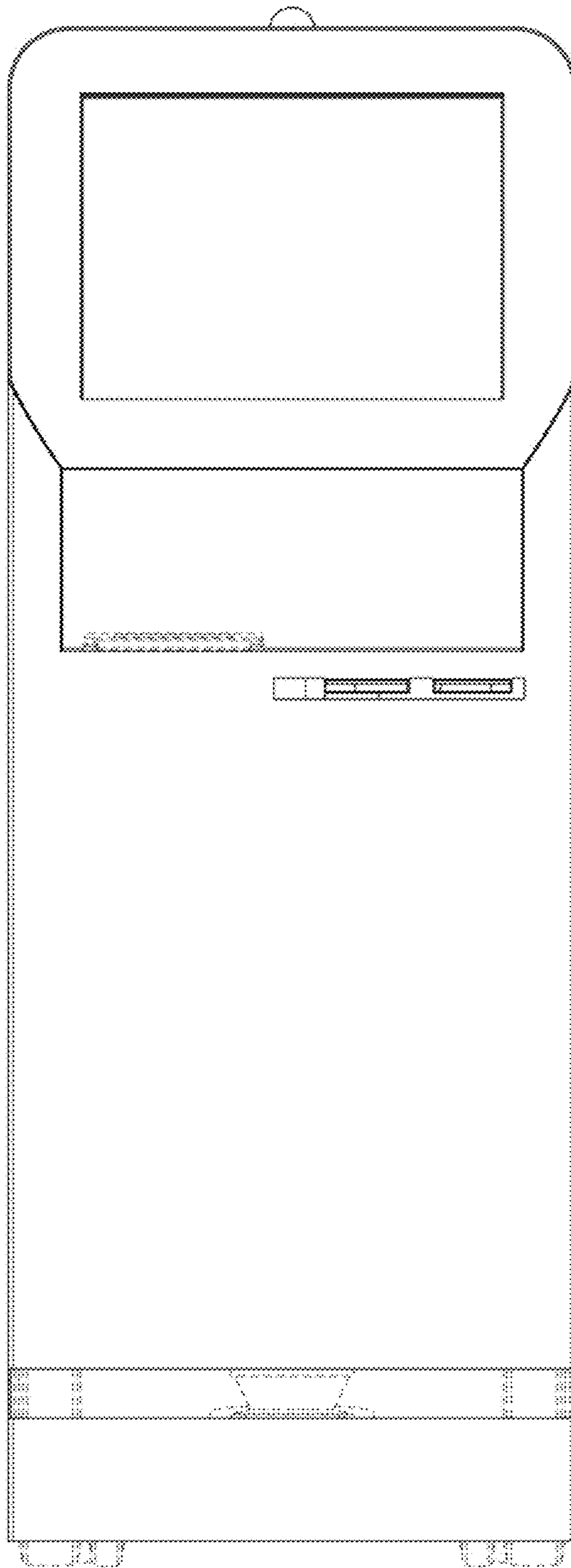


FIG. 11

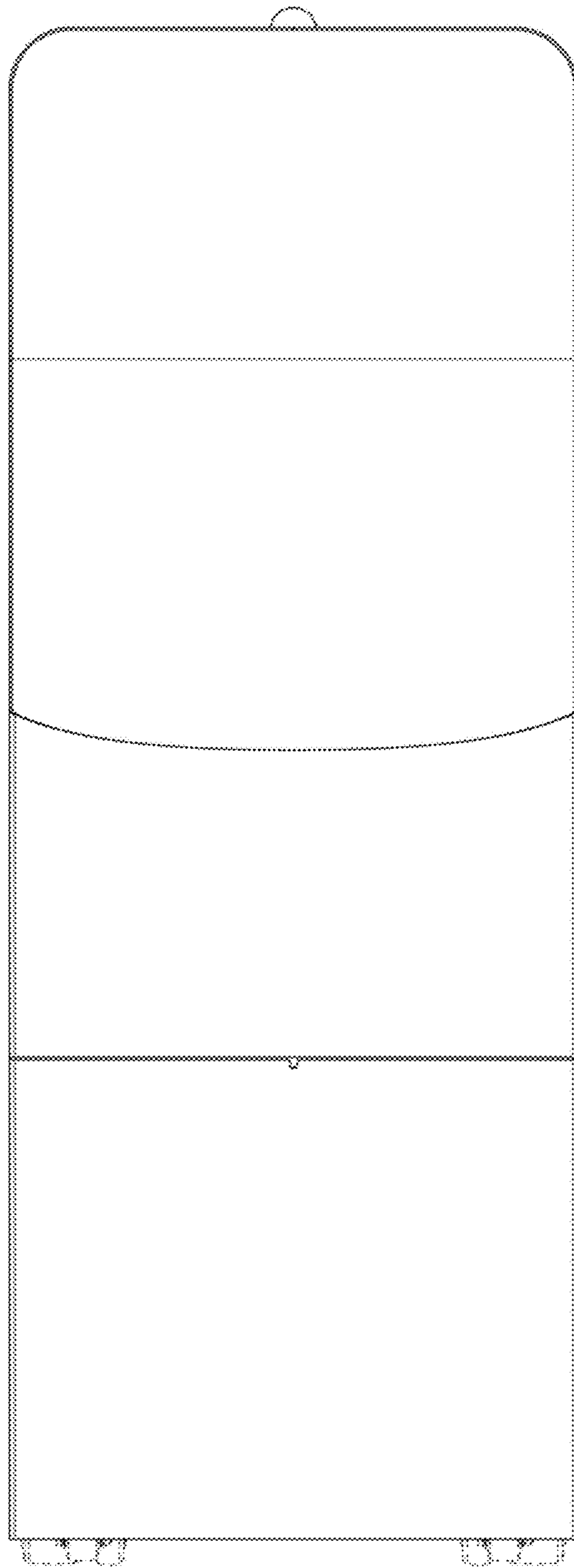


FIG. 12

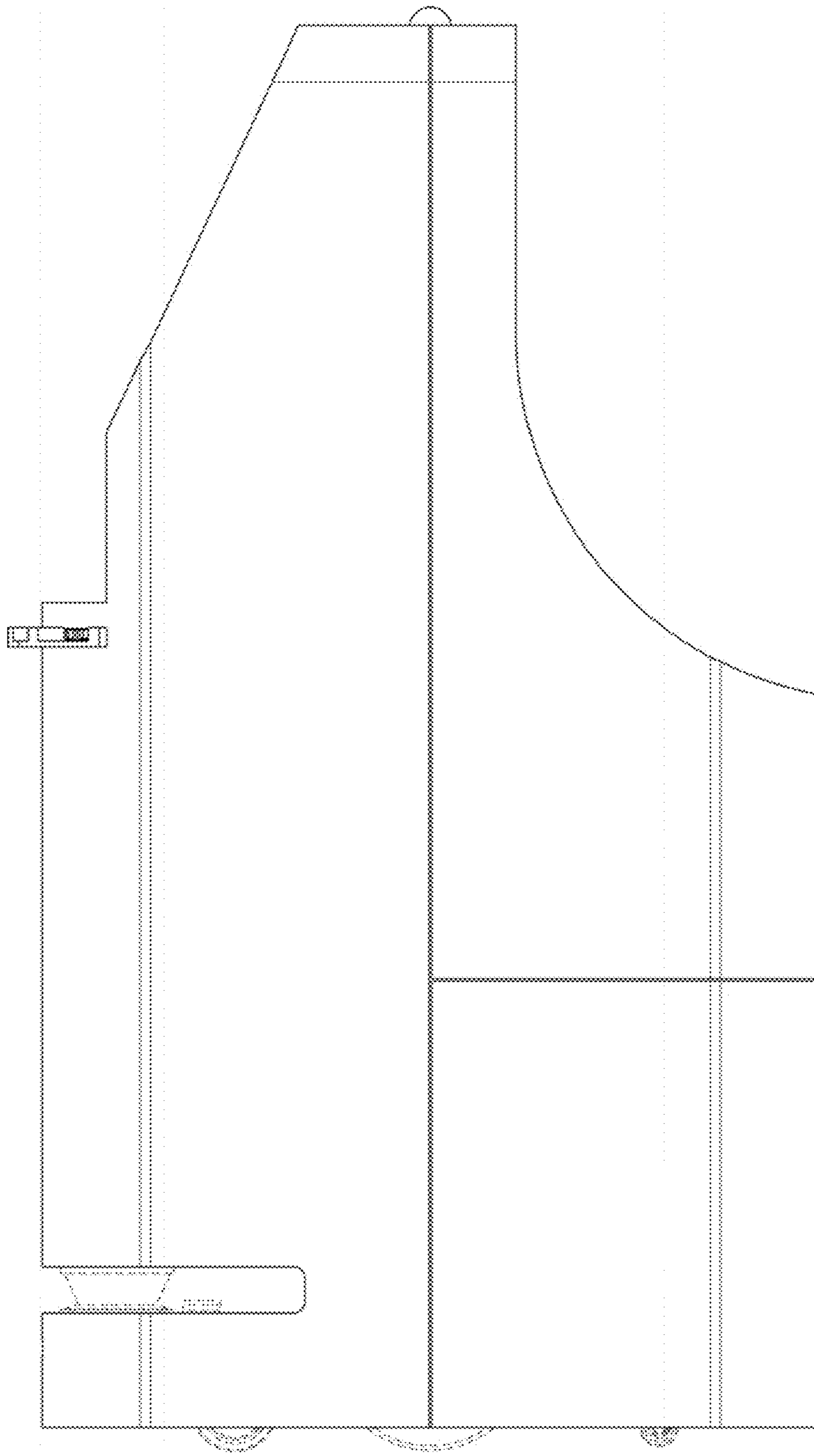


FIG. 13

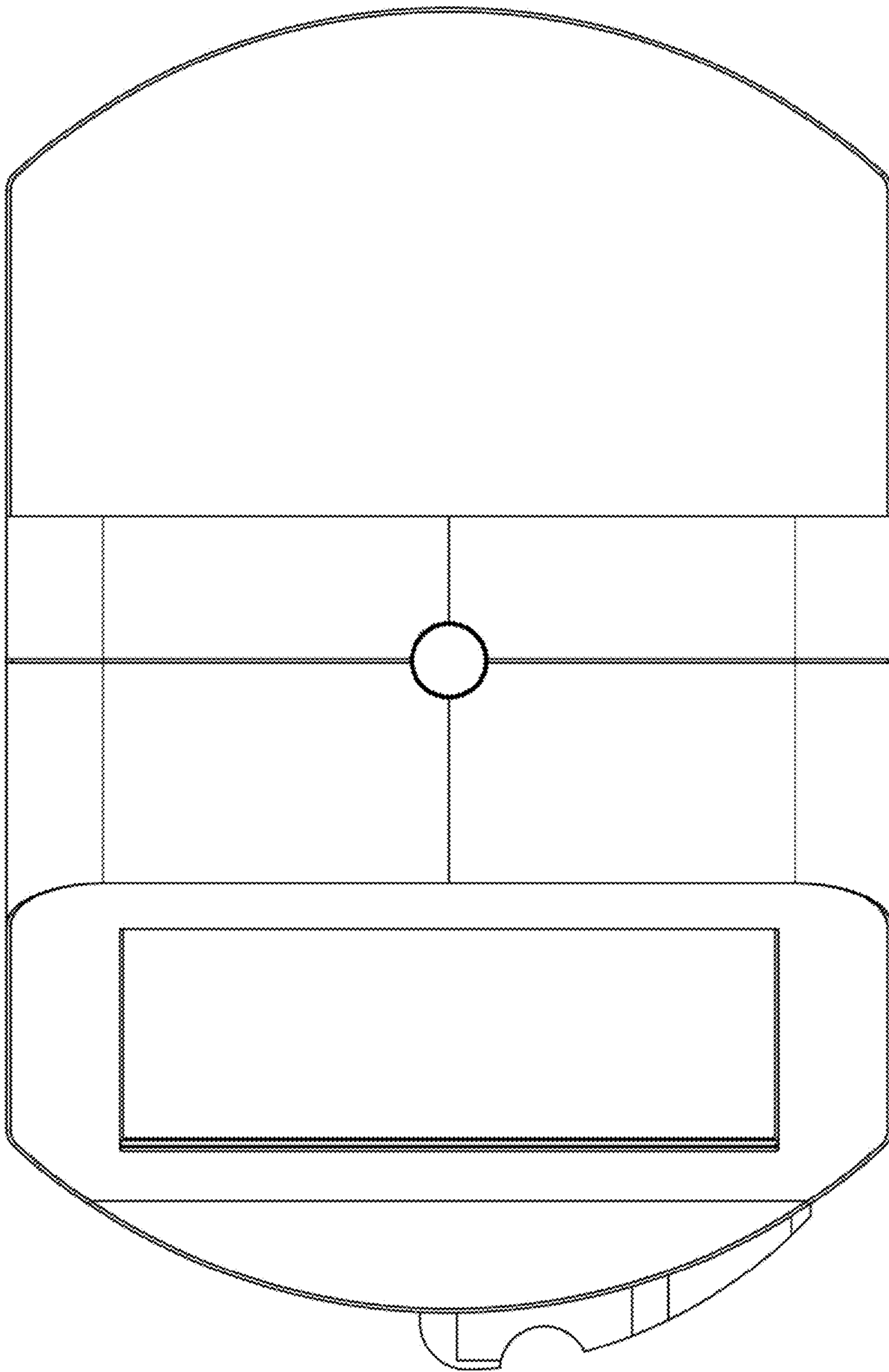


FIG. 14



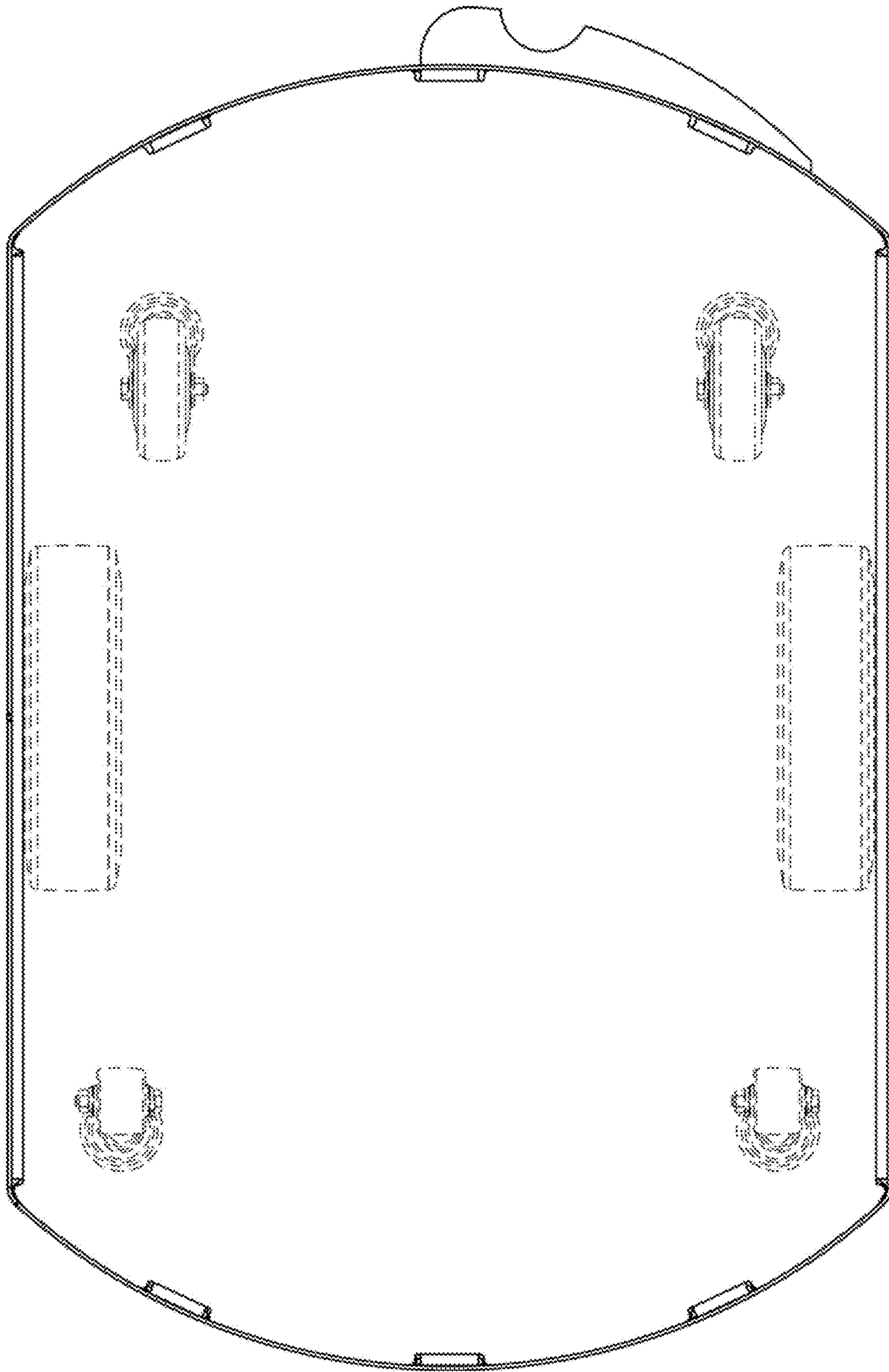


FIG. 15

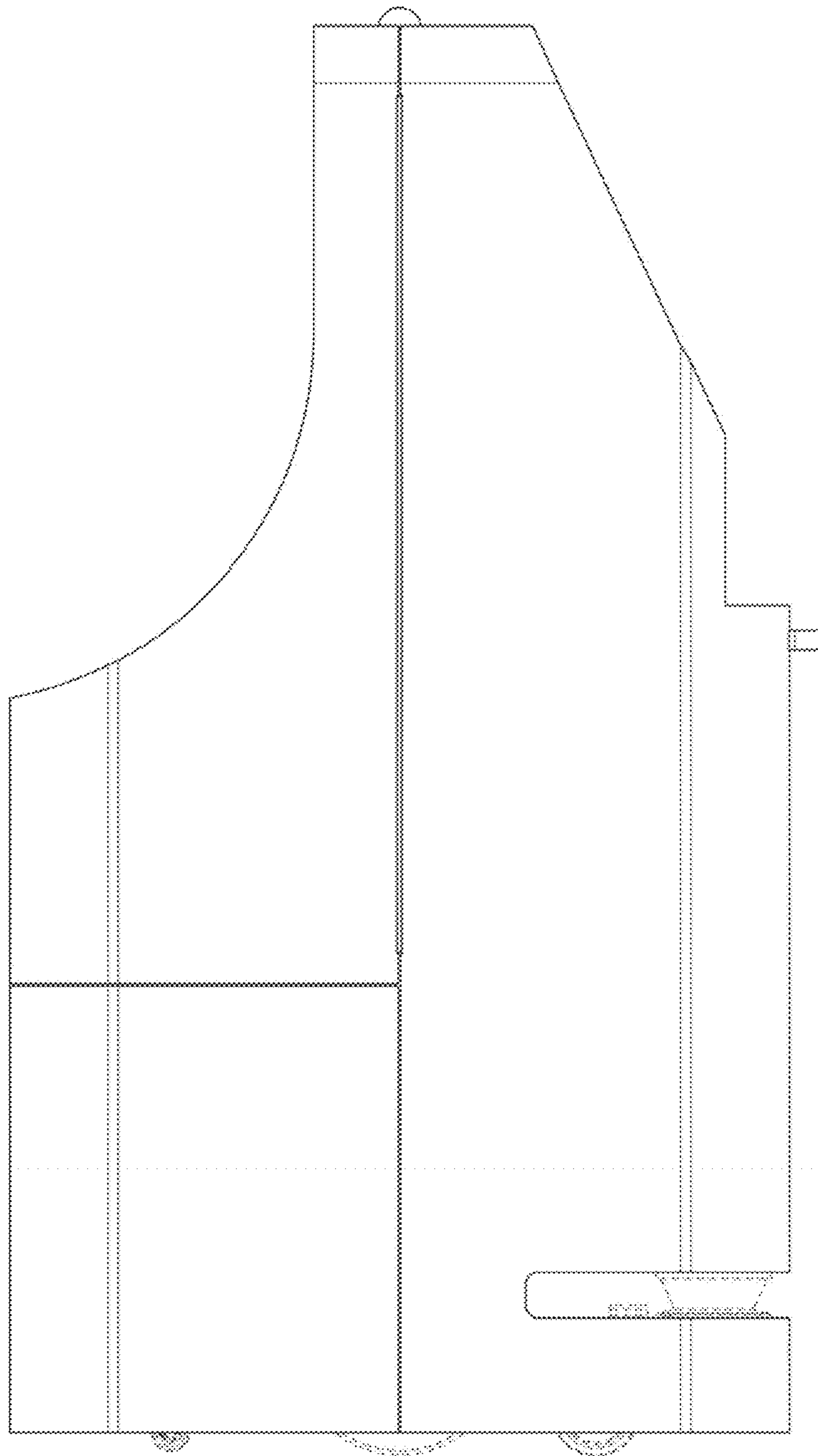


FIG. 16