



US00D881960S

(12) **United States Design Patent**  
**Haines et al.**

(10) **Patent No.:** **US D881,960 S**

(45) **Date of Patent:** **\*\* Apr. 21, 2020**

(54) **REAR END GEAR BOX FOR CLOSED TUBE RACING CARS**

(71) Applicant: **Diversified Machine, Inc.**, Lancaster, PA (US)

(72) Inventors: **James S. Haines**, Lancaster, PA (US);  
**John P. Flory**, Lancaster, PA (US);  
**David F. Ely**, Wernersville, PA (US)

(73) Assignee: **Diversified Machine, Inc.**, Lancaster, PA (US)

(\*\*) Term: **15 Years**

(21) Appl. No.: **29/672,438**

(22) Filed: **Dec. 5, 2018**

(51) **LOC (12) Cl.** ..... **15-03**

(52) **U.S. Cl.**  
USPC ..... **D15/148**

(58) **Field of Classification Search**  
USPC ..... D15/143, 148, 199; D13/148, 158  
CPC .... F15B 11/076; F15B 11/0413; F15B 15/24;  
F15B 11/065; F15B 15/149; F15B  
15/1433  
See application file for complete search history.

(56) **References Cited**

**U.S. PATENT DOCUMENTS**

D195,595 S \* 7/1963 Bradbury ..... D15/148  
D196,071 S \* 8/1963 Terry ..... D15/139

D263,308 S \* 3/1982 Miller ..... 180/249  
D304,834 S \* 11/1989 Habicht ..... D15/148  
D356,094 S \* 3/1995 Curtis ..... D15/148  
D785,063 S \* 4/2017 Gong ..... D15/148  
D806,153 S \* 12/2017 Skov ..... D15/148  
D819,100 S \* 5/2018 Lin ..... D15/148  
D819,101 S \* 5/2018 Ishikawa ..... D15/148  
D819,710 S \* 6/2018 Ishikawa ..... D15/148  
D821,471 S \* 6/2018 Zhuang ..... D15/148  
D839,937 S \* 2/2019 Zhuang ..... D15/143  
D845,363 S \* 4/2019 Kawaguchi ..... D15/143  
D847,236 S \* 4/2019 Chen ..... D15/148  
D851,147 S \* 6/2019 Knudsen ..... D15/148

\* cited by examiner

*Primary Examiner* — Khawaja Anwar

(74) *Attorney, Agent, or Firm* — Miller Law Group, PLLC

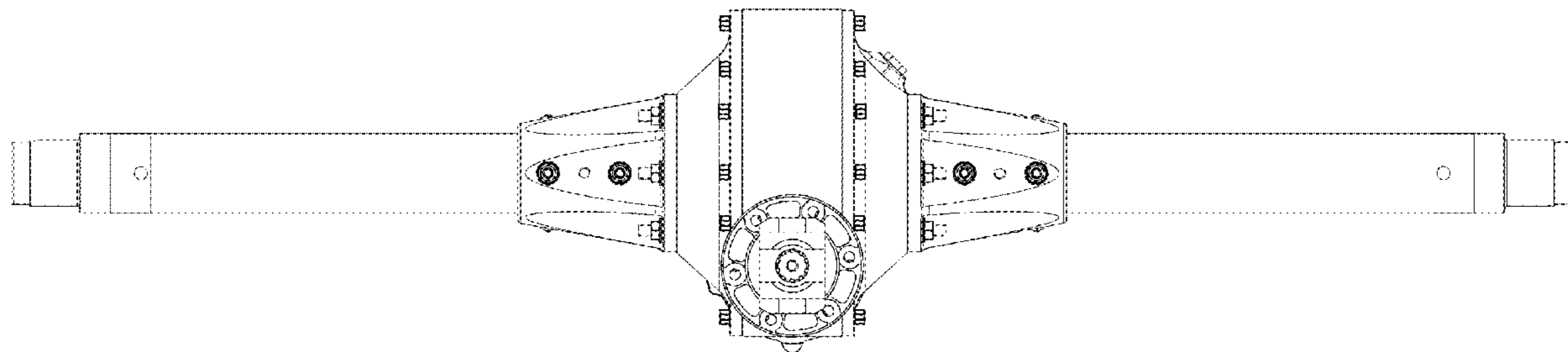
(57) **CLAIM**

The ornamental design for a rear end gear box for closed tube racing cars, as shown and described.

**DESCRIPTION**

FIG. 1 is a front elevational view of the rear end gear box for closed tube racing cars;  
FIG. 2 is a rear elevational view thereof;  
FIG. 3 is a top plan view thereof;  
FIG. 4 is a bottom plan view thereof;  
FIG. 5 is a left side elevational view thereof;  
FIG. 6 is a right side elevational view thereof;  
FIG. 7 is a left, front perspective view thereof; and,  
FIG. 8 is a right, rear perspective view thereof.

**1 Claim, 7 Drawing Sheets**



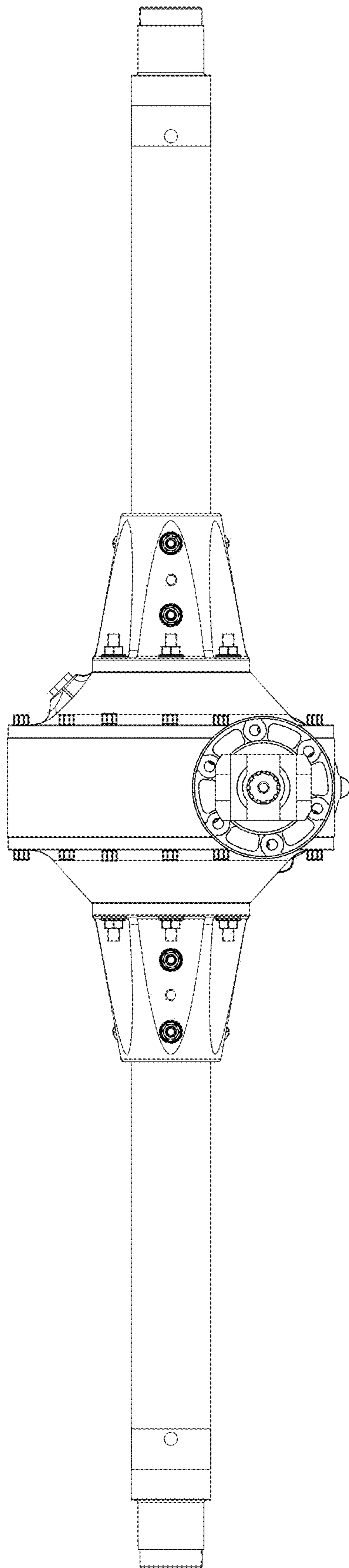


Fig. 1

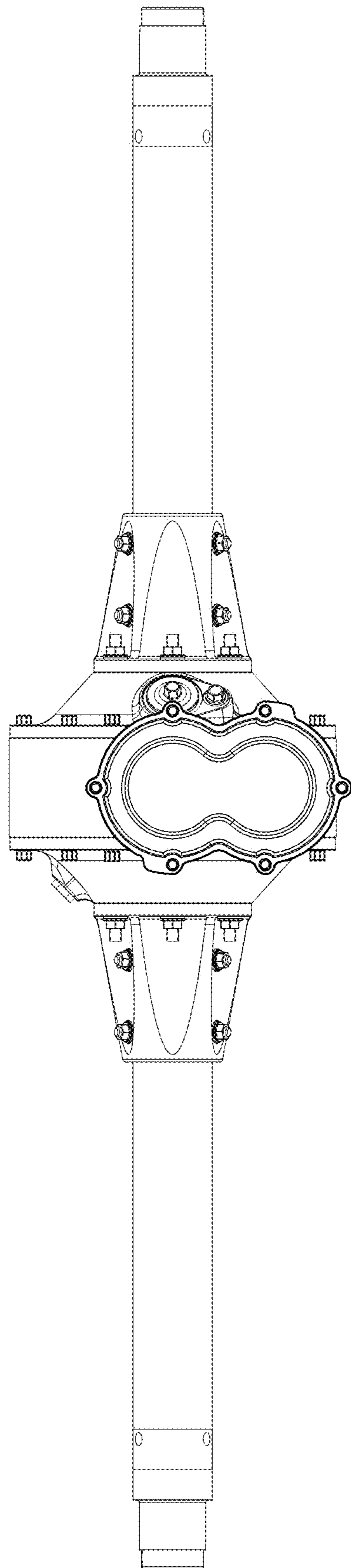


Fig. 2

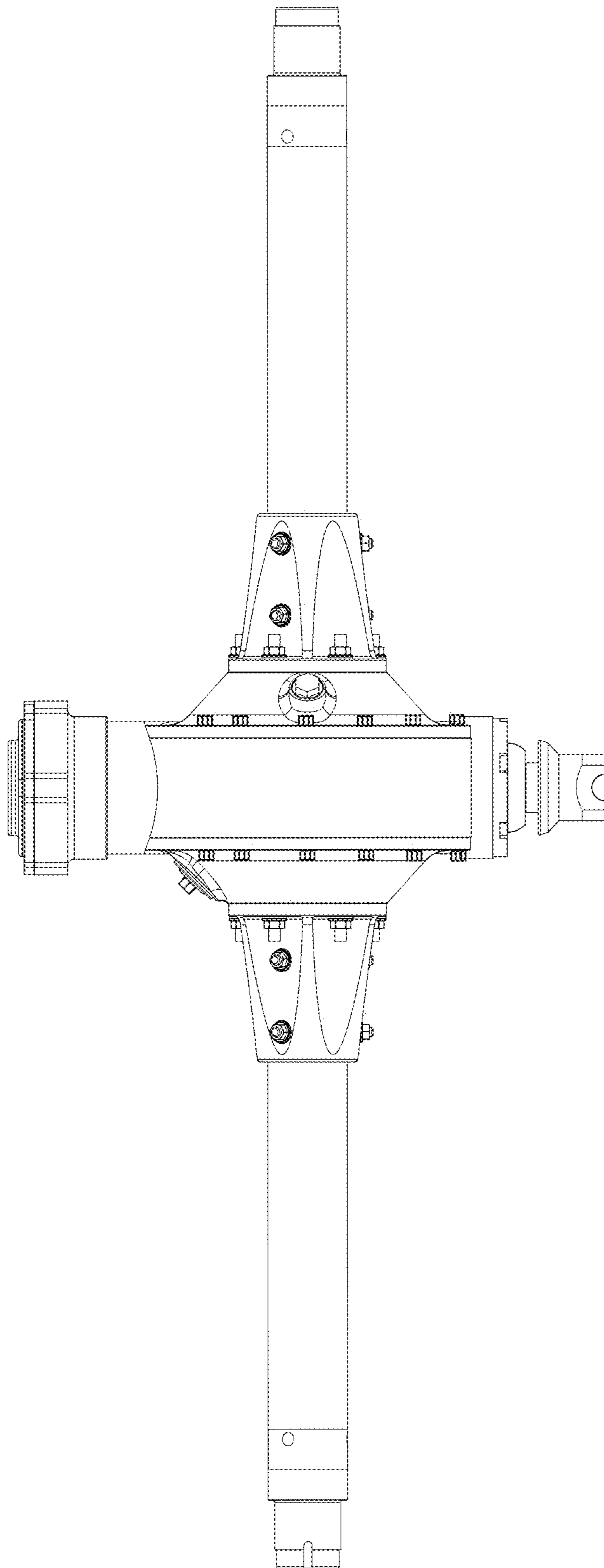


Fig. 3

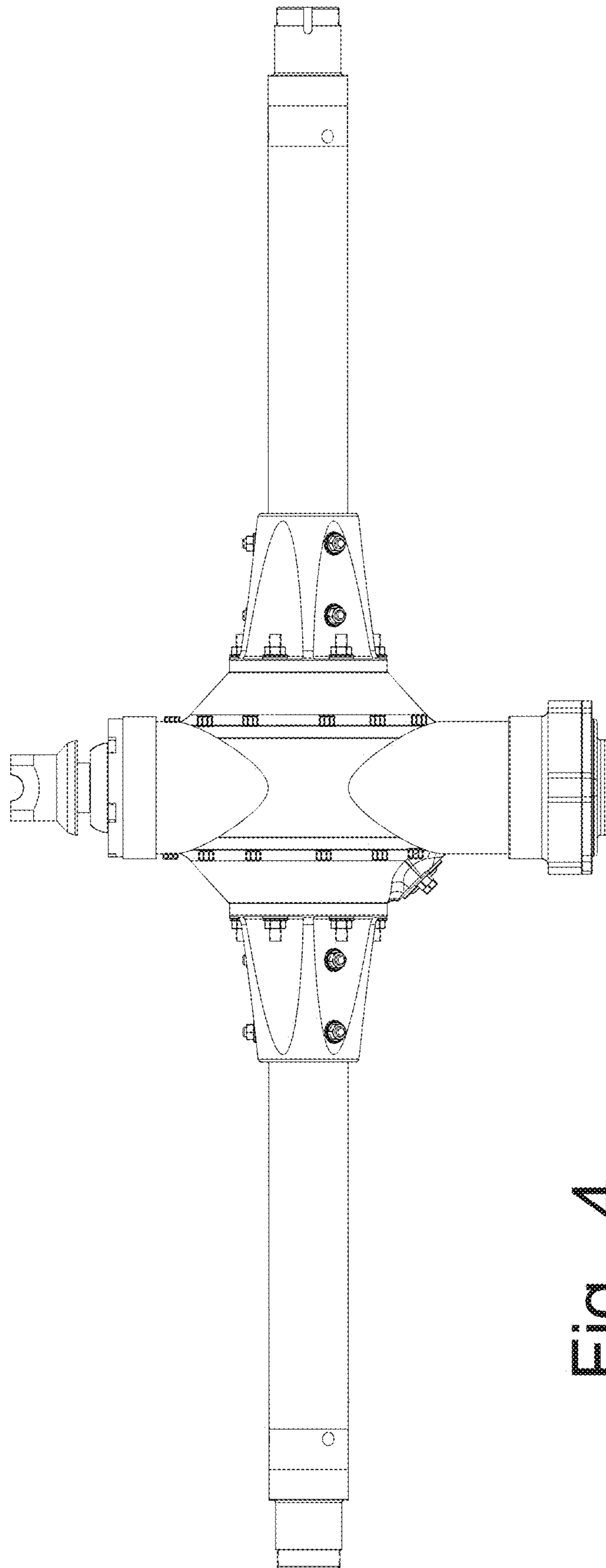


Fig. 4

Fig. 5

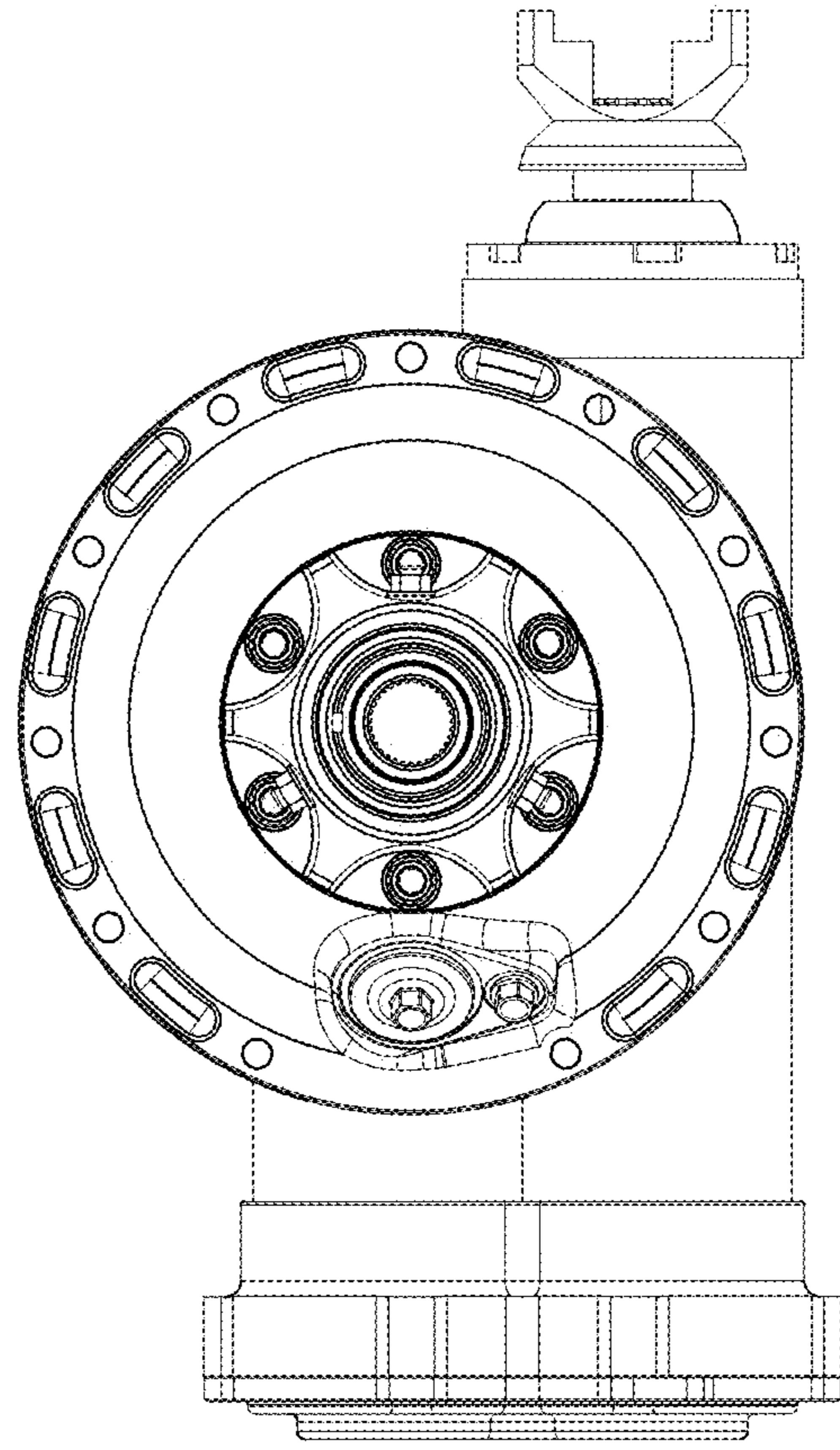
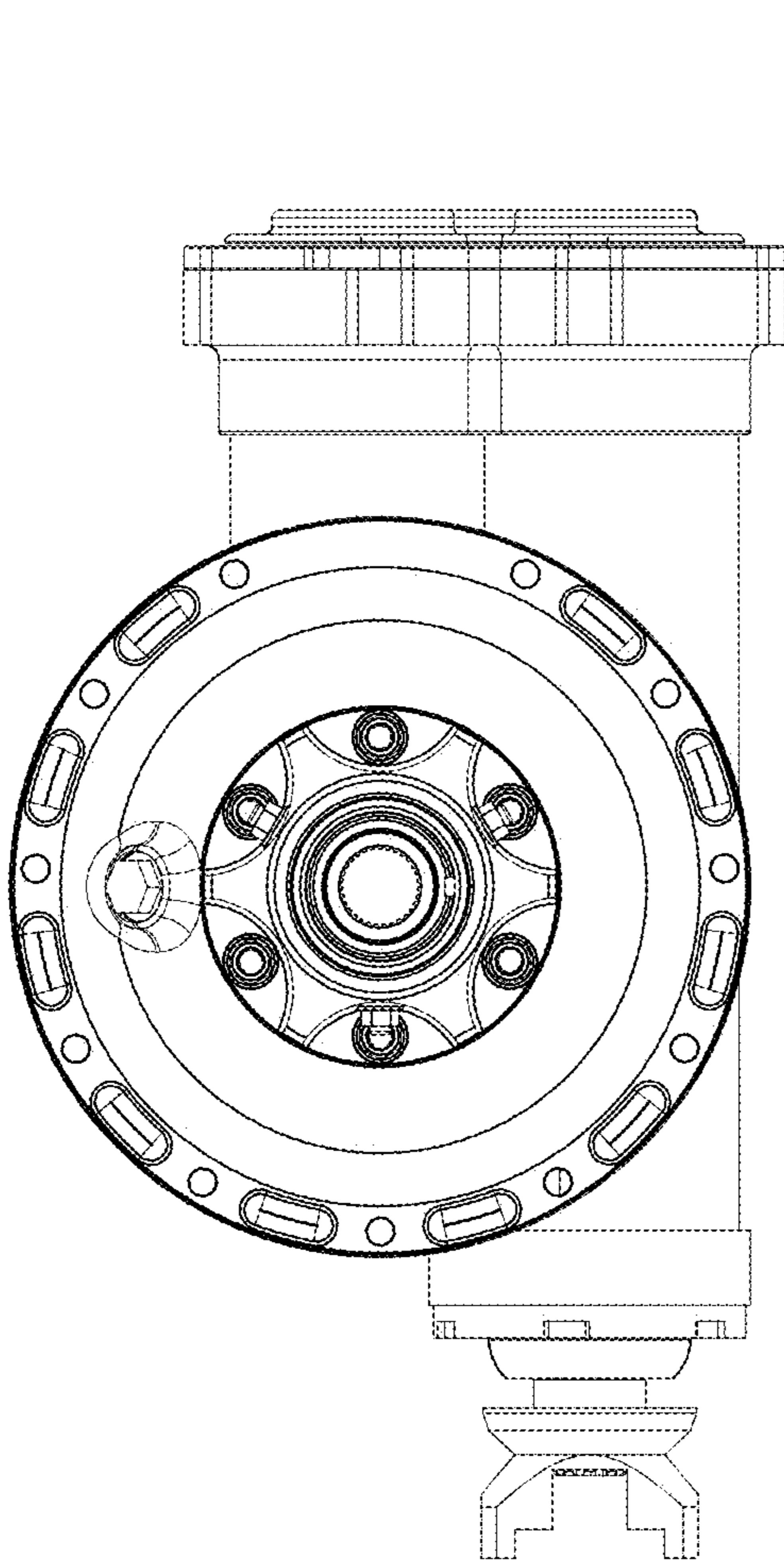


Fig. 6

Fig. 7

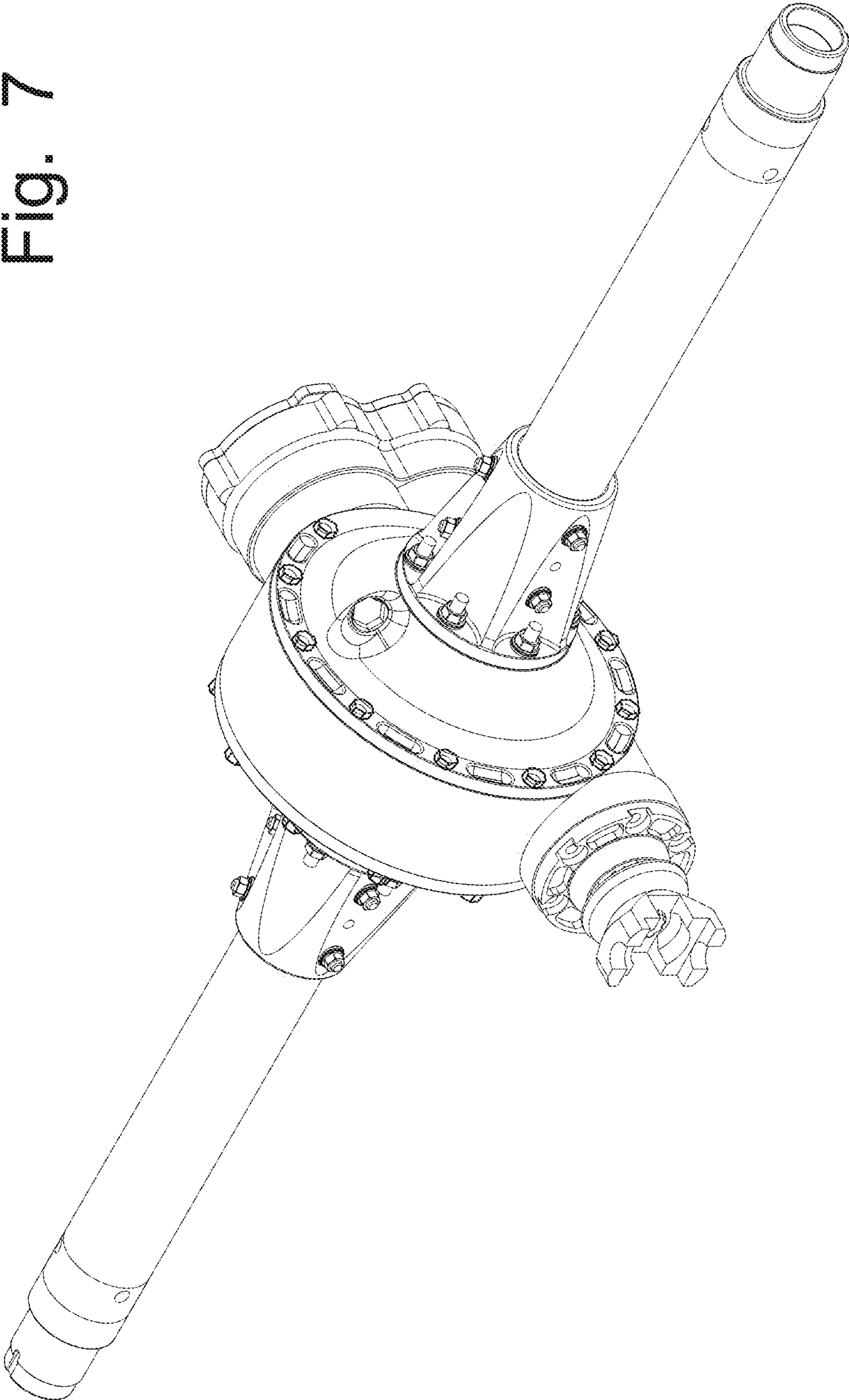


Fig. 8

