



US00D881956S

(12) **United States Design Patent**
Lumby

(10) **Patent No.:** **US D881,956 S**

(45) **Date of Patent:** **** Apr. 21, 2020**

(54) **DUST COLLECTOR**

(71) Applicant: **Christopher Lumby**, Pacific Palisades,
CA (US)

(72) Inventor: **Christopher Lumby**, Pacific Palisades,
CA (US)

(**) Term: **15 Years**

(21) Appl. No.: **29/709,472**

(22) Filed: **Oct. 15, 2019**

(51) **LOC (12) Cl.** **15-09**

(52) **U.S. Cl.**
USPC **D15/138; D15/126**

(58) **Field of Classification Search**
USPC D6/515; D8/62, 70; D15/124, 126, 132,
D15/133, 138; D32/74; D34/1, 6
CPC B23B 45/00; B23B 47/34; B23B 51/0054;
B23B 2260/058; B23B 2260/126; B23B
2270/30; B23Q 11/0053; B23Q 11/0067;
B23Q 11/0071; B65D 33/14; B65F
1/0006; Y10T 408/50
See application file for complete search history.

(56) **References Cited**

U.S. PATENT DOCUMENTS

- 3,133,690 A * 5/1964 Lui B60N 3/08
383/11
- 3,561,670 A * 2/1971 Segal A24F 19/0028
383/11
- 3,578,236 A * 5/1971 Arai B65D 33/30
383/33

(Continued)

FOREIGN PATENT DOCUMENTS

- EP 1248694 9/2006
- GB 2341334 3/2000

Primary Examiner — Patricia A Palasik

(74) *Attorney, Agent, or Firm* — Todd R. Miller

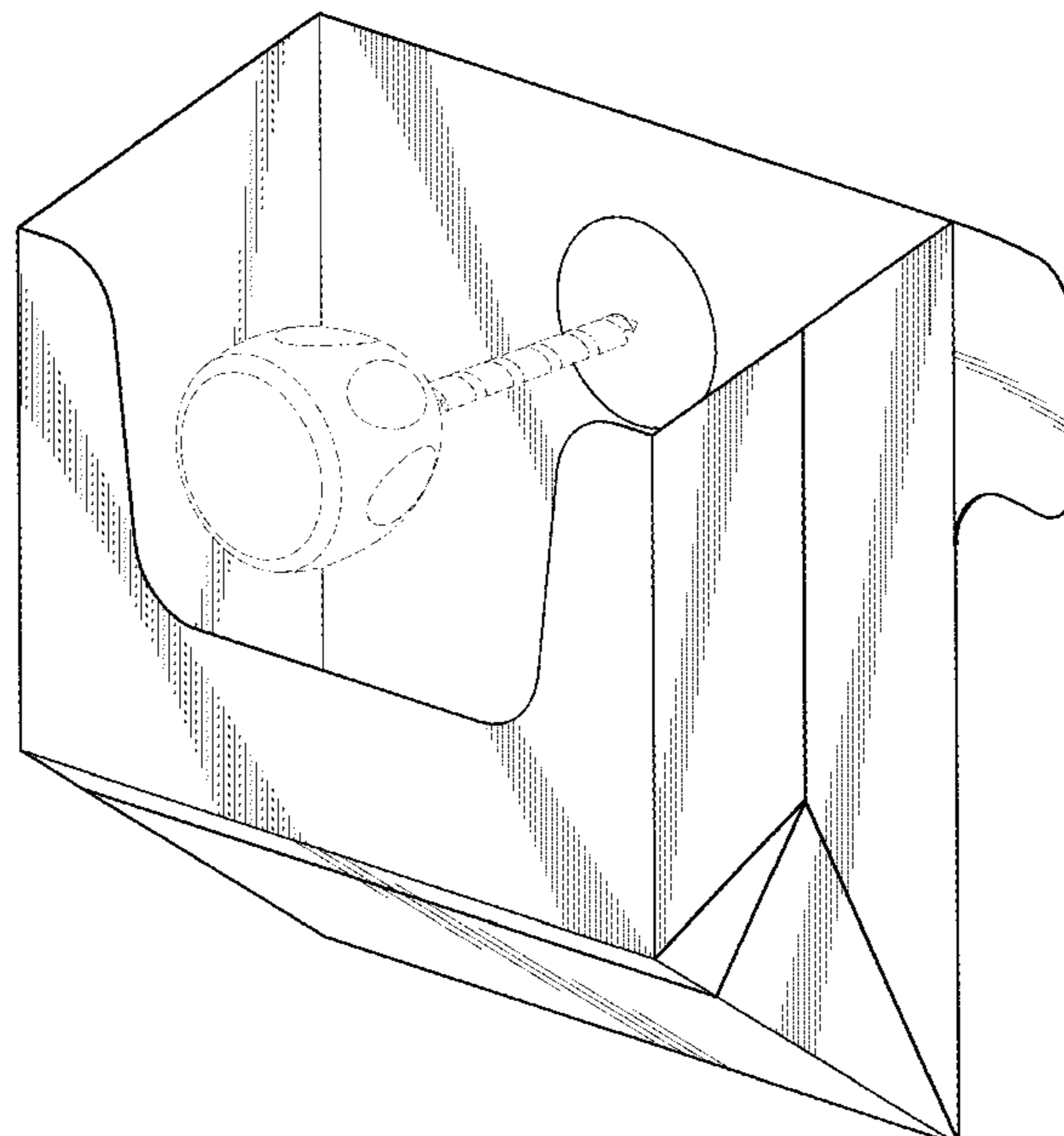
(57) **CLAIM**

The ornamental design for a dust collector, as shown and described.

DESCRIPTION

FIG. 1 is a perspective view embodying the inventive dust collector, wherein the dust collector is expanded and ready for use with its backing attached to the adhesive;
 FIG. 2 is a front view of the device as seen in FIG. 1;
 FIG. 3 is a right side view of the device as seen in FIG. 1;
 FIG. 4 is a rear view of the device as seen in FIG. 1;
 FIG. 5 is a left side view of the device as seen in FIG. 1;
 FIG. 6 is a top side view of the device as seen in FIG. 1;
 FIG. 7 is a bottom side view of the device as seen in FIG. 1;
 FIG. 8 is a perspective view embodying the inventive dust collector as seen in FIG. 1, wherein the backing is no longer attached to the adhesive;
 FIG. 9 is a front view of the device as seen in FIG. 8;
 FIG. 10 is a right side view of the device as seen in FIG. 8;
 FIG. 11 is a rear view of the device as seen in FIG. 8;
 FIG. 12 is a left side view of the device as seen in FIG. 8;
 FIG. 13 is a top side view of the device as seen in FIG. 8;
 FIG. 14 is a bottom side view of the device as seen in FIG. 8;
 FIG. 15 is a perspective view embodying the inventive dust collector as seen in FIG. 8, wherein the dust collector is shown in use with exemplary environmental structure; and,
 FIG. 16 is a perspective view of the device as seen in FIG. 1, wherein the dust collector is collapsed.
 The broken line showing is for the purpose of illustrating environmental structure and forms no part of the claimed design.

1 Claim, 14 Drawing Sheets



(56)

References Cited

U.S. PATENT DOCUMENTS

3,589,595 A * 6/1971 White B65D 33/14
383/11
3,747,776 A * 7/1973 Gross A41D 27/18
206/527
D295,638 S * 5/1988 Evenson D19/90
4,930,906 A * 6/1990 Hemphill B65D 31/02
229/117.27
5,020,185 A 6/1991 Hoefler
5,094,349 A * 3/1992 DeVito A47F 7/147
211/50
5,118,019 A * 6/1992 Harrison B60K 15/05
224/555
5,150,813 A * 9/1992 Harris A47F 7/147
206/45.26
D332,679 S * 1/1993 Hines D34/1
D332,854 S * 1/1993 Waterston D34/10
D401,708 S * 11/1998 Arbak D34/1
5,911,324 A * 6/1999 Hammer B23Q 11/0053
206/460
5,915,839 A * 6/1999 Dennis B65F 1/0006
383/11
6,053,674 A 4/2000 Thompson
D471,331 S 3/2003 Pan
6,651,827 B1 * 11/2003 Eberwein A47F 1/126
206/215

6,726,076 B1 * 4/2004 Hernandez A24F 19/0028
224/675
6,814,527 B1 11/2004 Fleming
D513,161 S 12/2005 Chilton
D568,569 S * 5/2008 Wood D34/1
8,561,816 B2 * 10/2013 Martin A47F 7/147
206/425
D792,580 S * 7/2017 Ren D24/121
D802,864 S * 11/2017 McCoy D34/1
9,914,585 B1 * 3/2018 Alberti B65F 1/0013
1,005,163 A1 6/2018 Johnson
D835,166 S * 12/2018 Falk D15/138
2002/0145033 A1 10/2002 Dakolios
2004/0120607 A1 6/2004 Goren
2009/0035077 A1 2/2009 Aley
2012/0051669 A1 * 3/2012 Keller B65D 31/10
383/4
2012/0187025 A1 * 7/2012 Bowman B65D 5/48042
206/756
2013/0034396 A1 2/2013 Witthoeft
2013/0058594 A1 3/2013 Shields
2015/0314950 A1 * 11/2015 Lopez B65D 5/4233
206/232
2016/0264303 A1 * 9/2016 Borges B65D 33/12
2017/0129095 A1 5/2017 Duncan
2018/0290791 A1 * 10/2018 Roessiger B65D 33/16

* cited by examiner

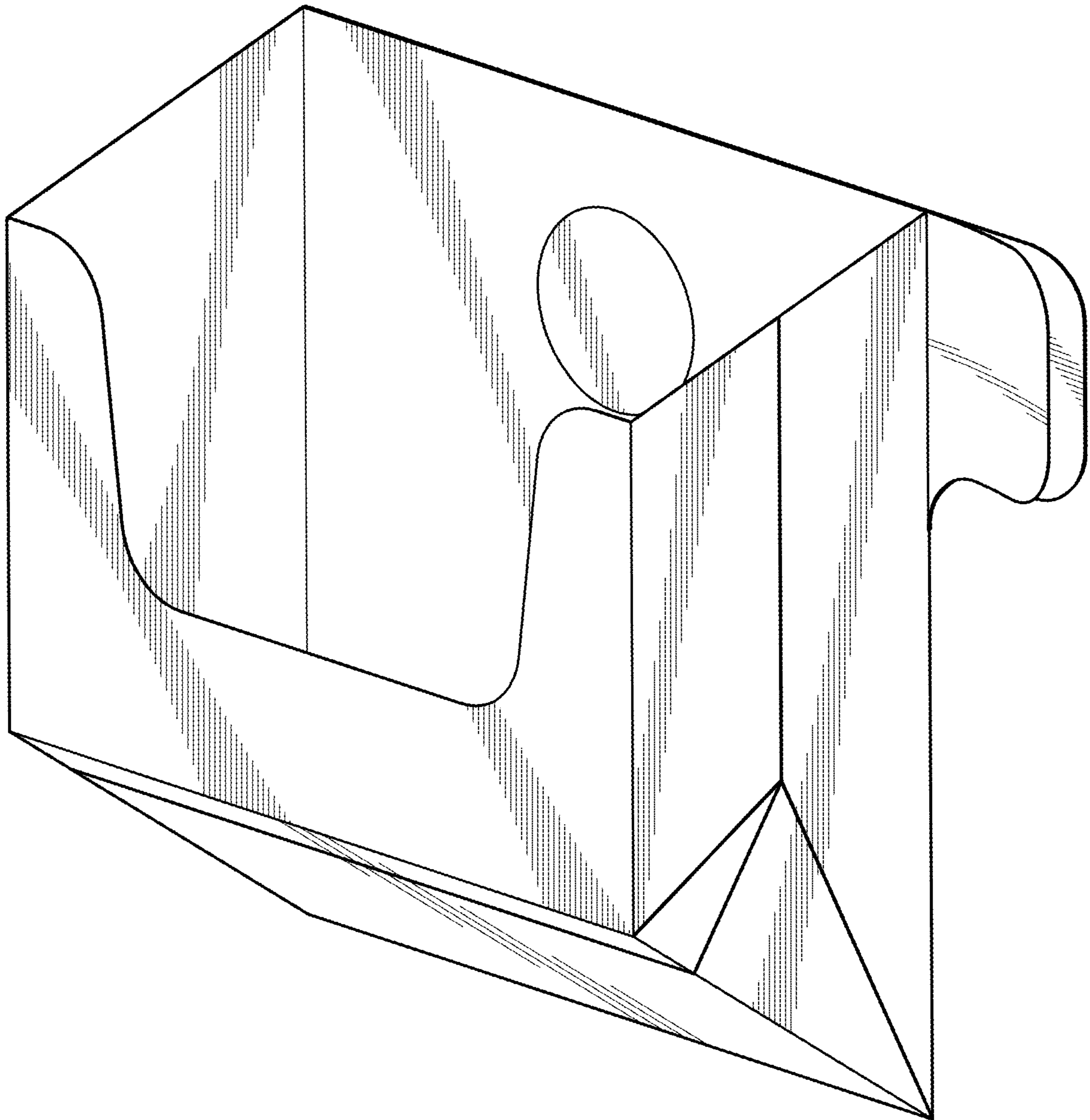


FIG. 1

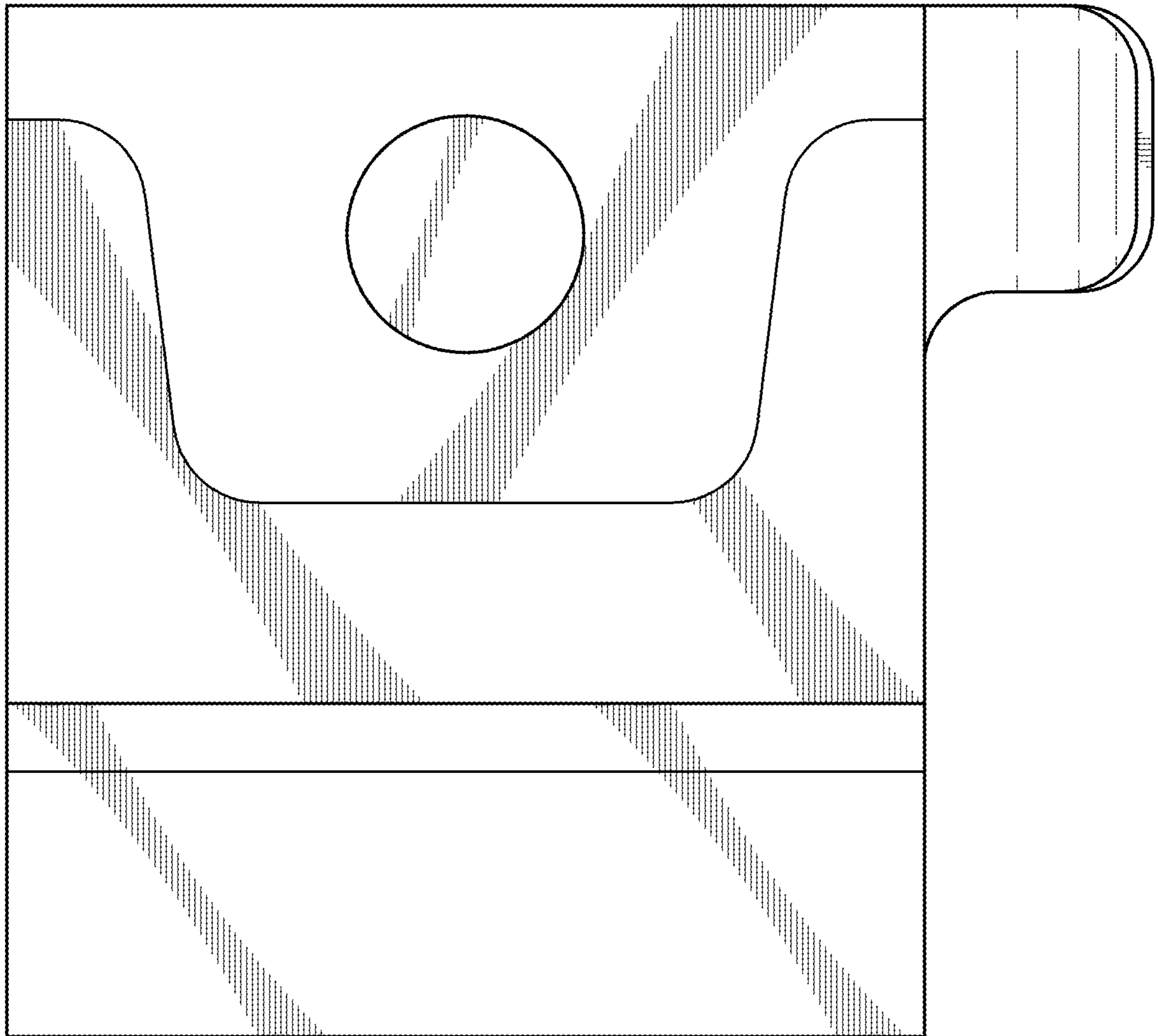


FIG. 2

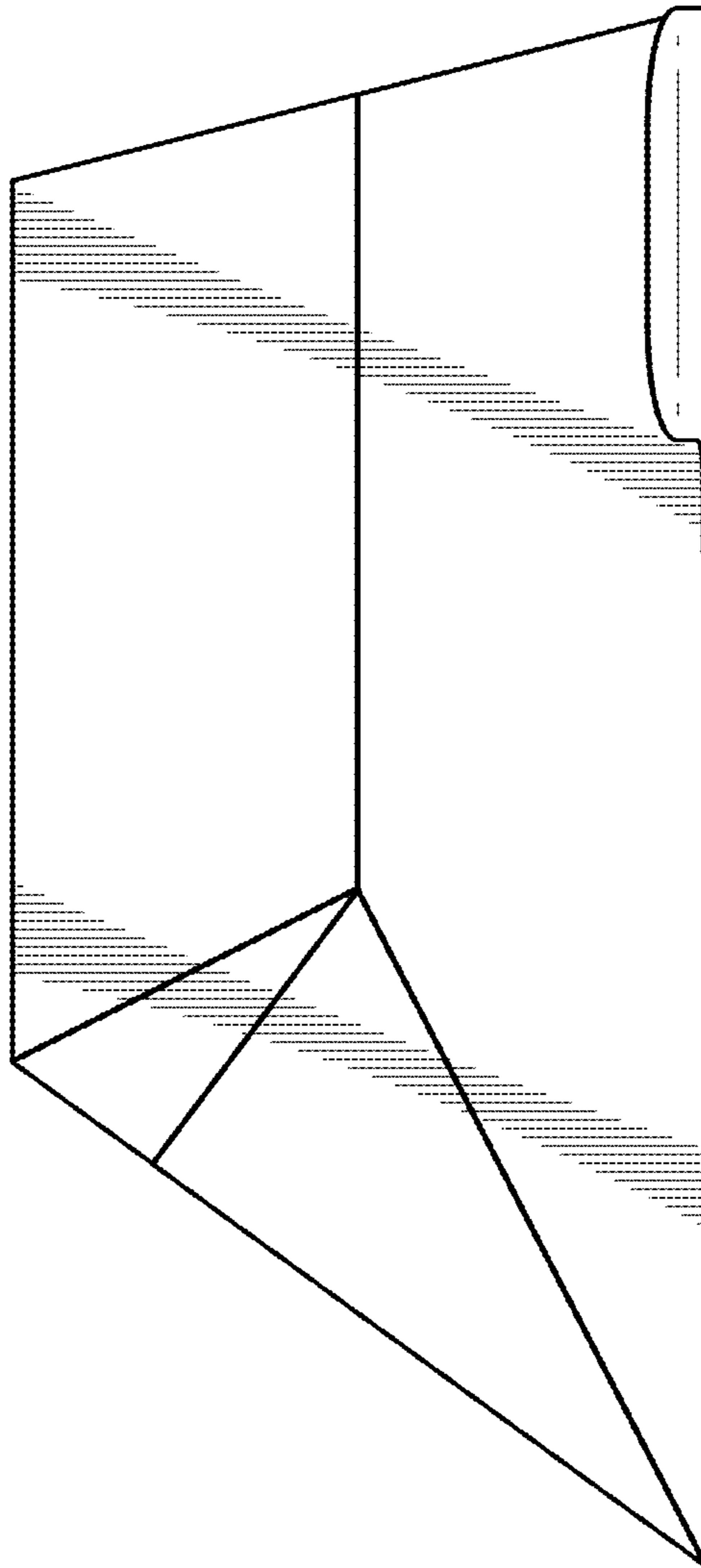


FIG. 3

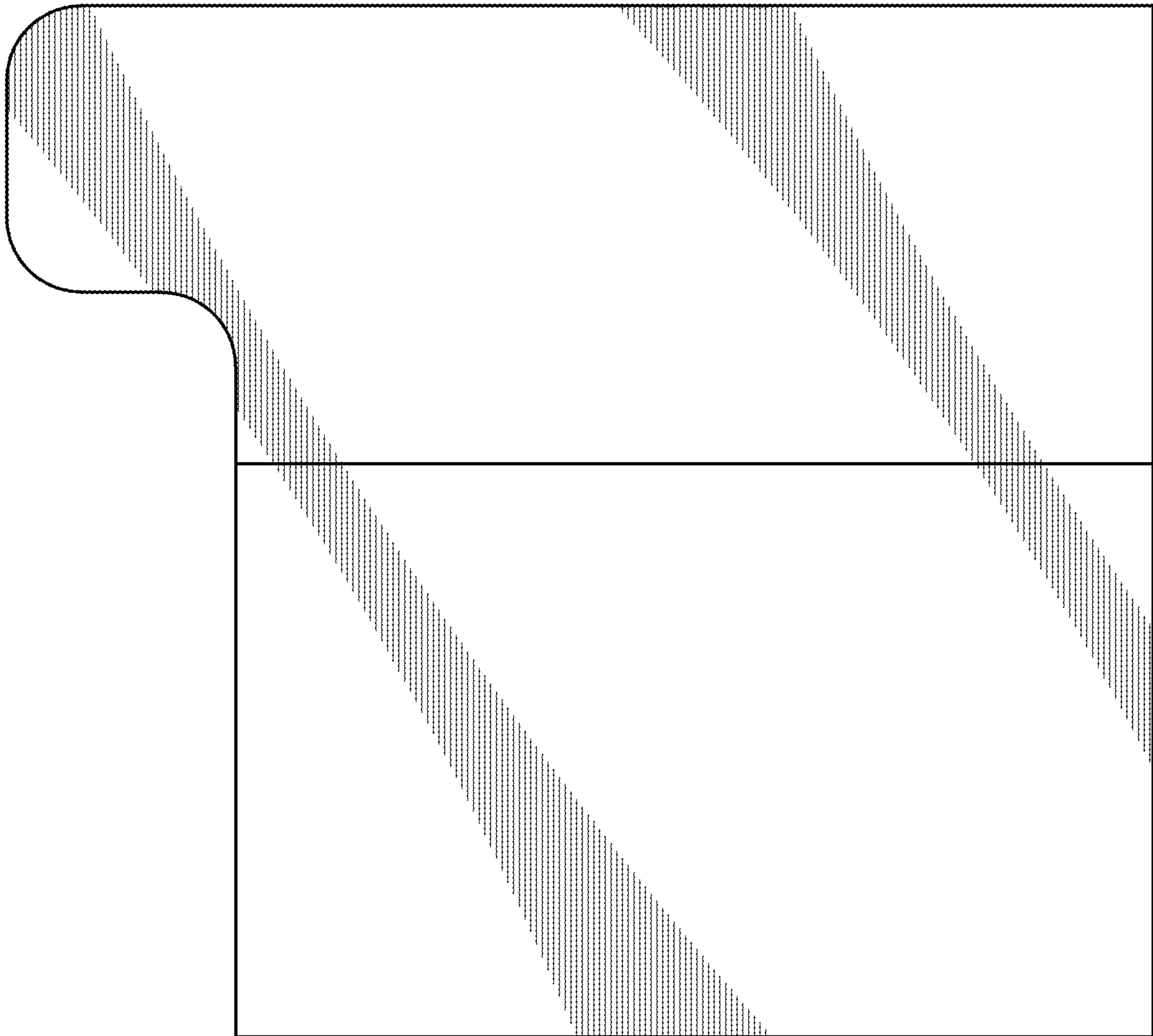


FIG. 4

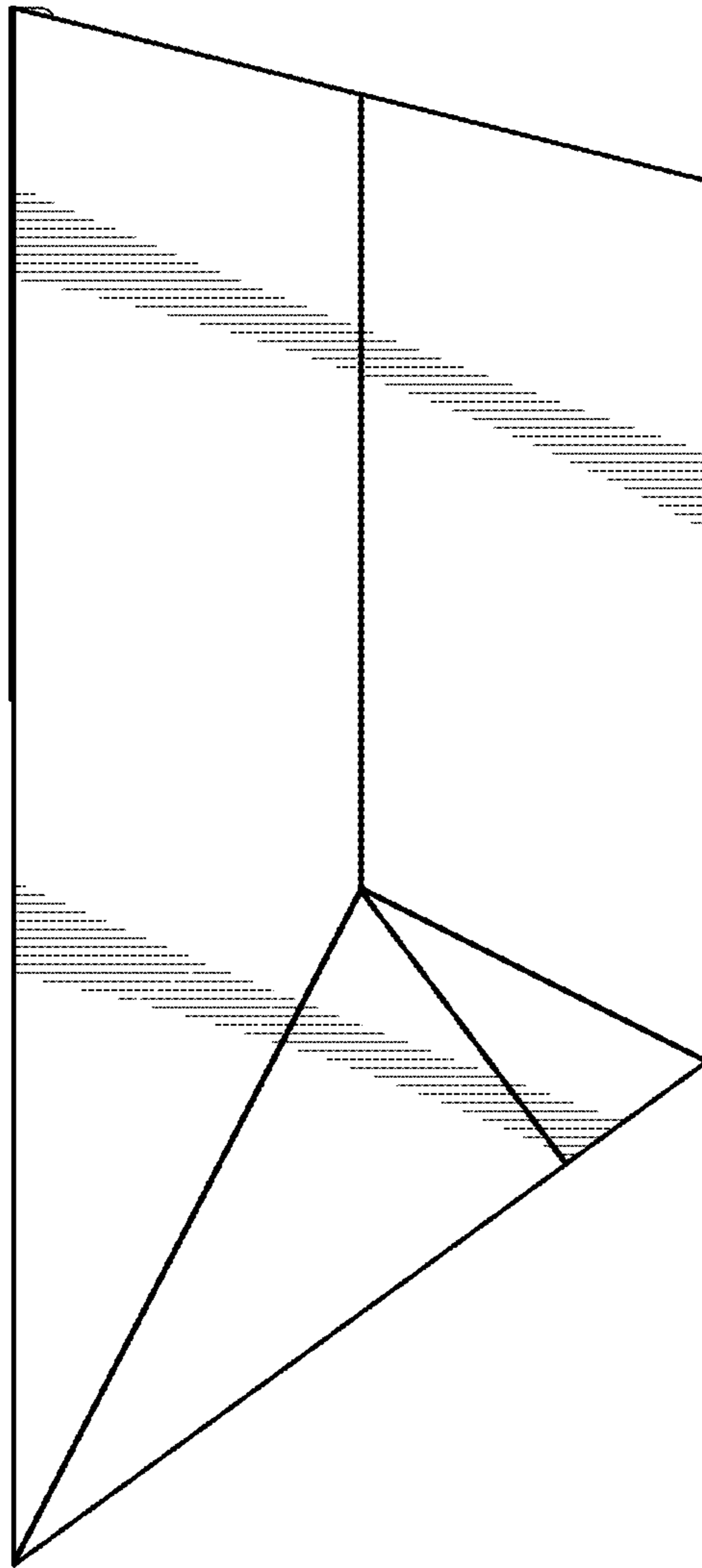


FIG. 5

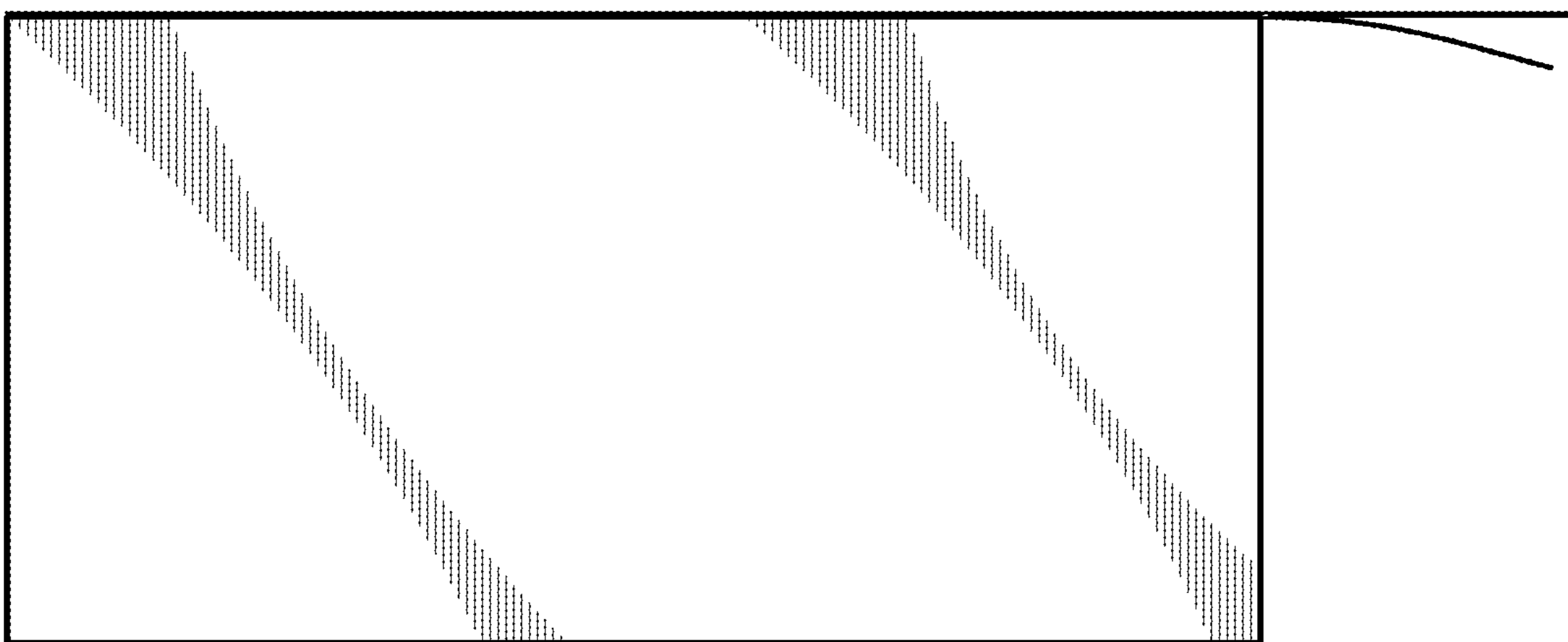


FIG. 6

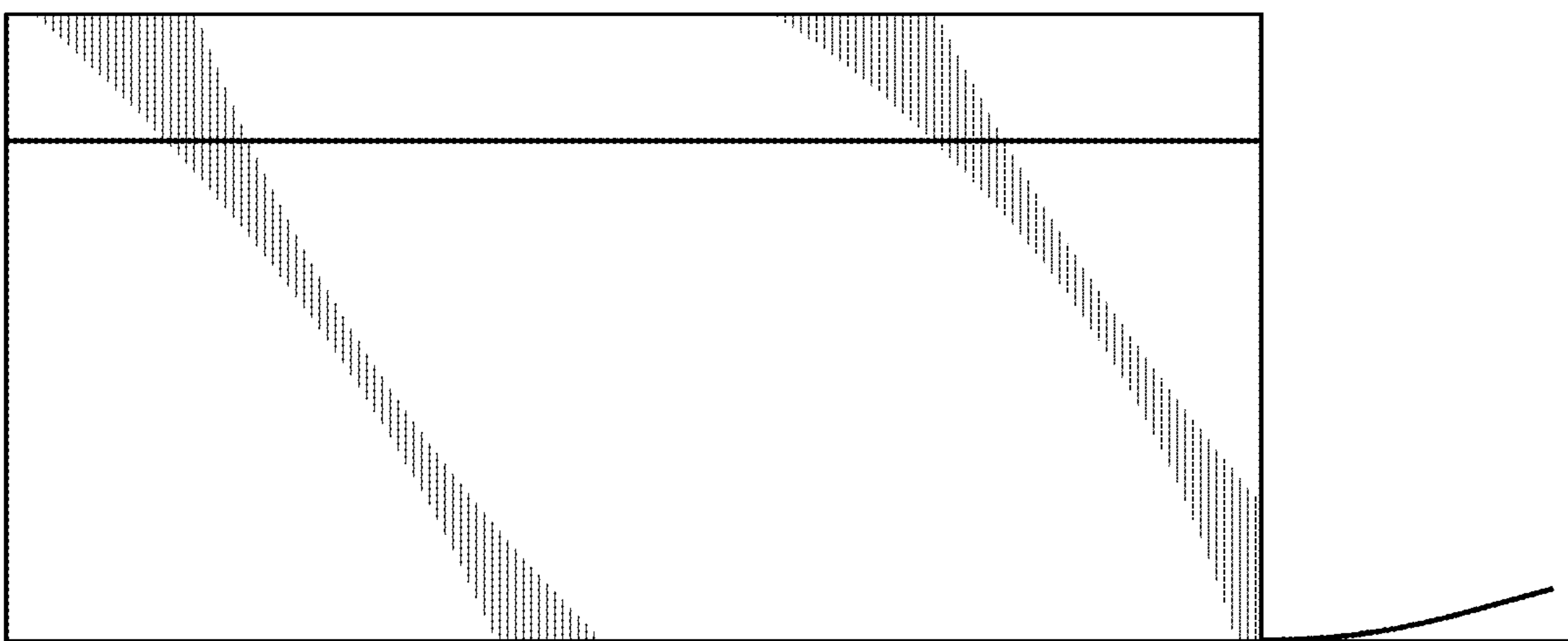


FIG. 7

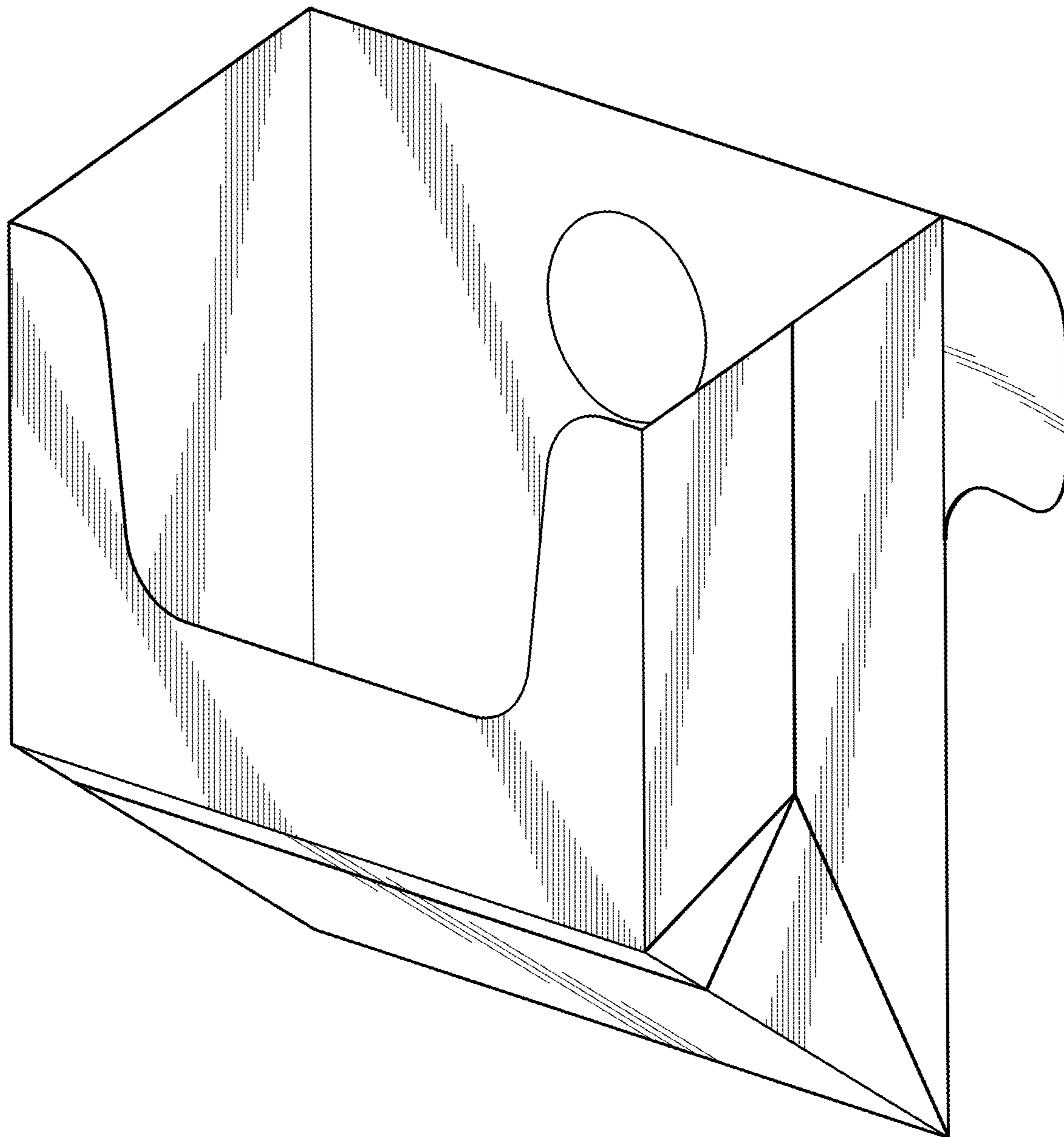


FIG. 8

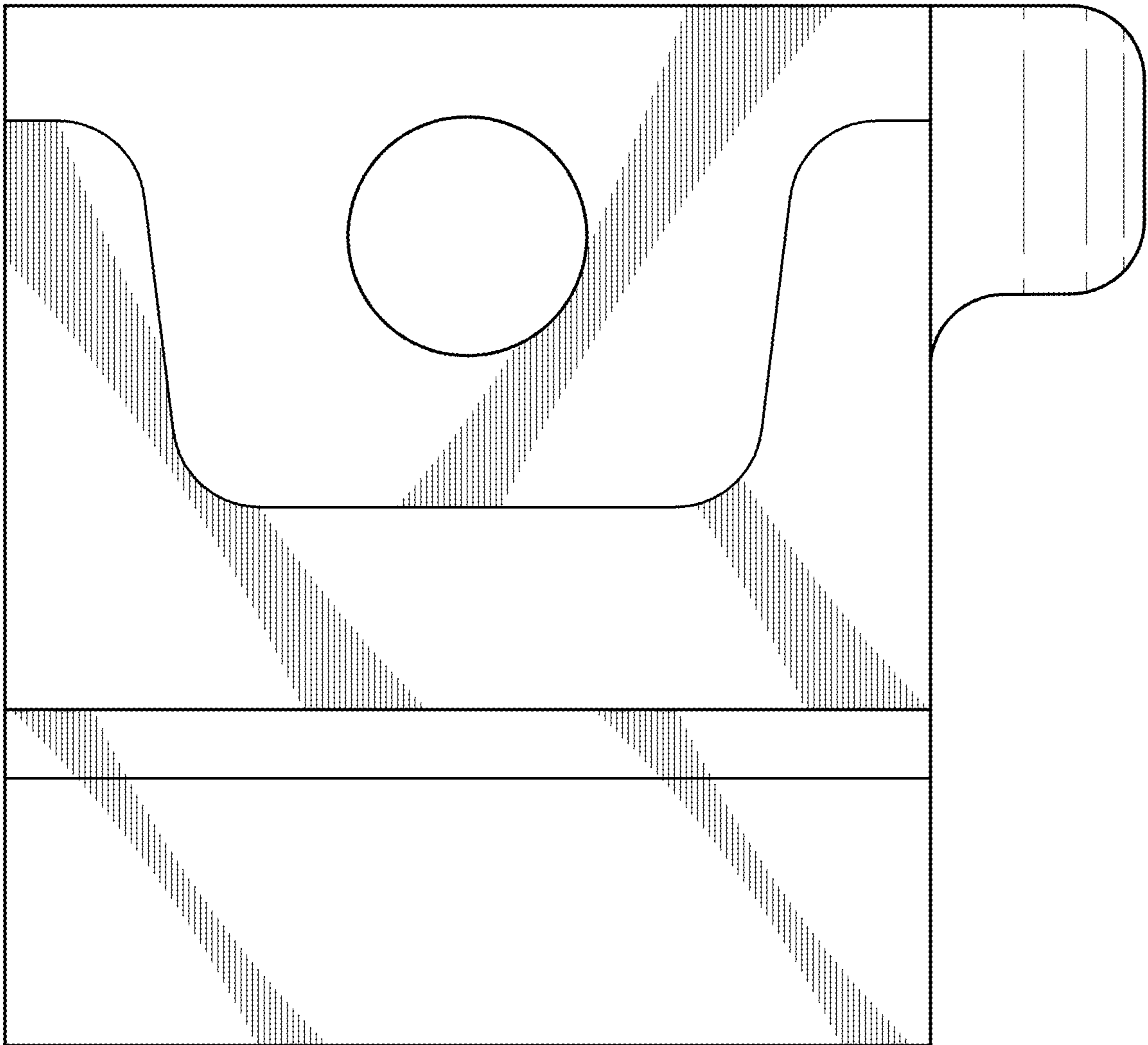


FIG. 9

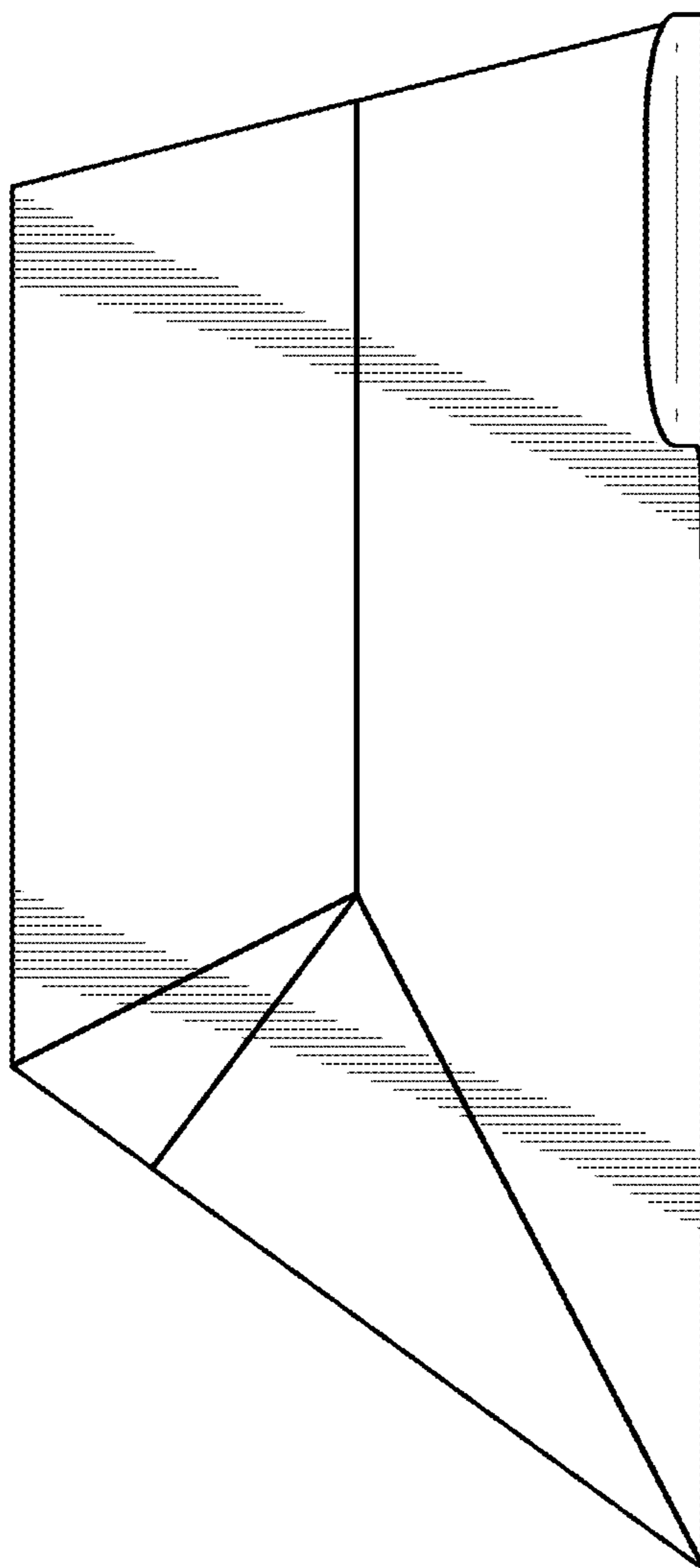


FIG. 10

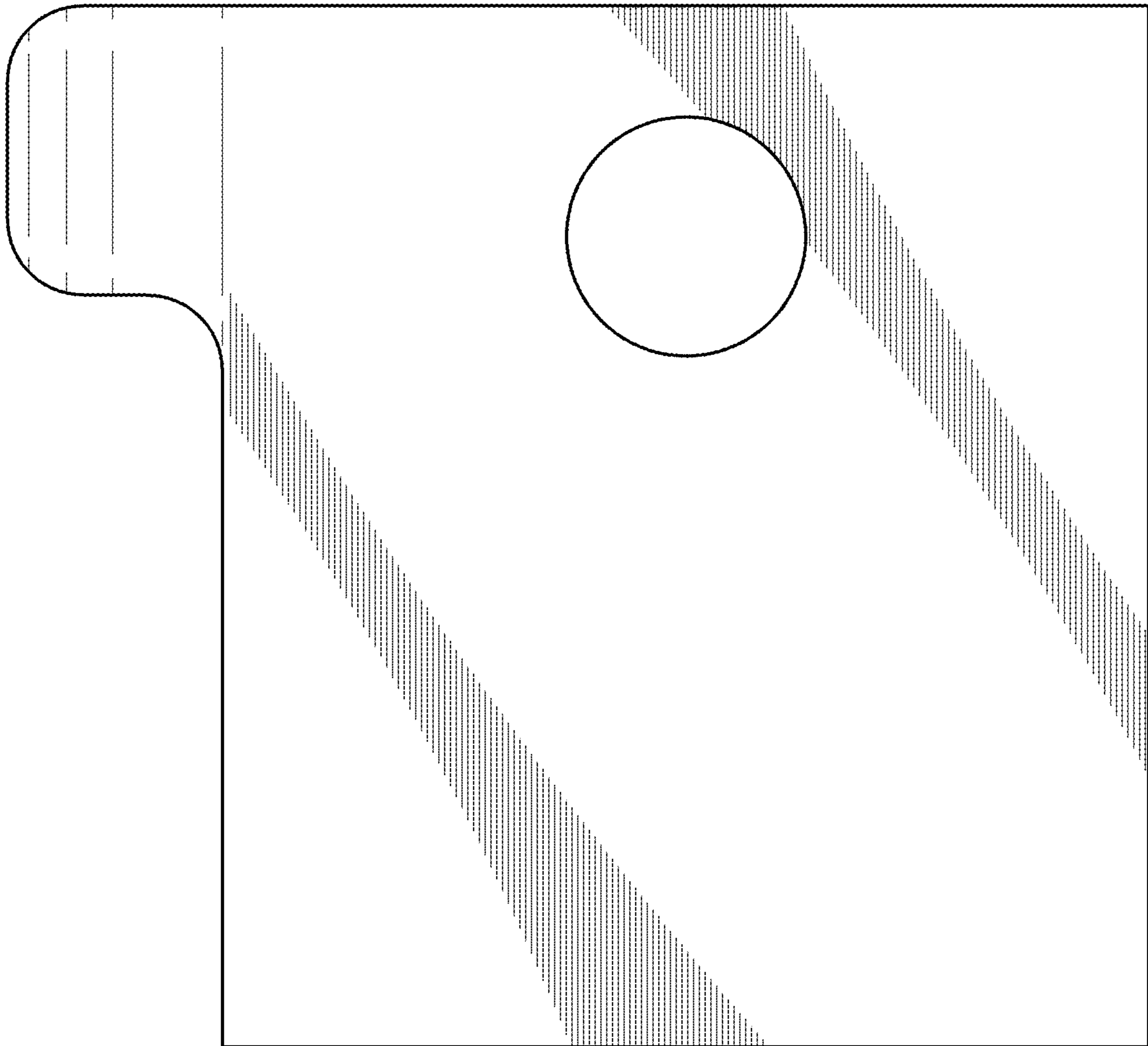


FIG. 11

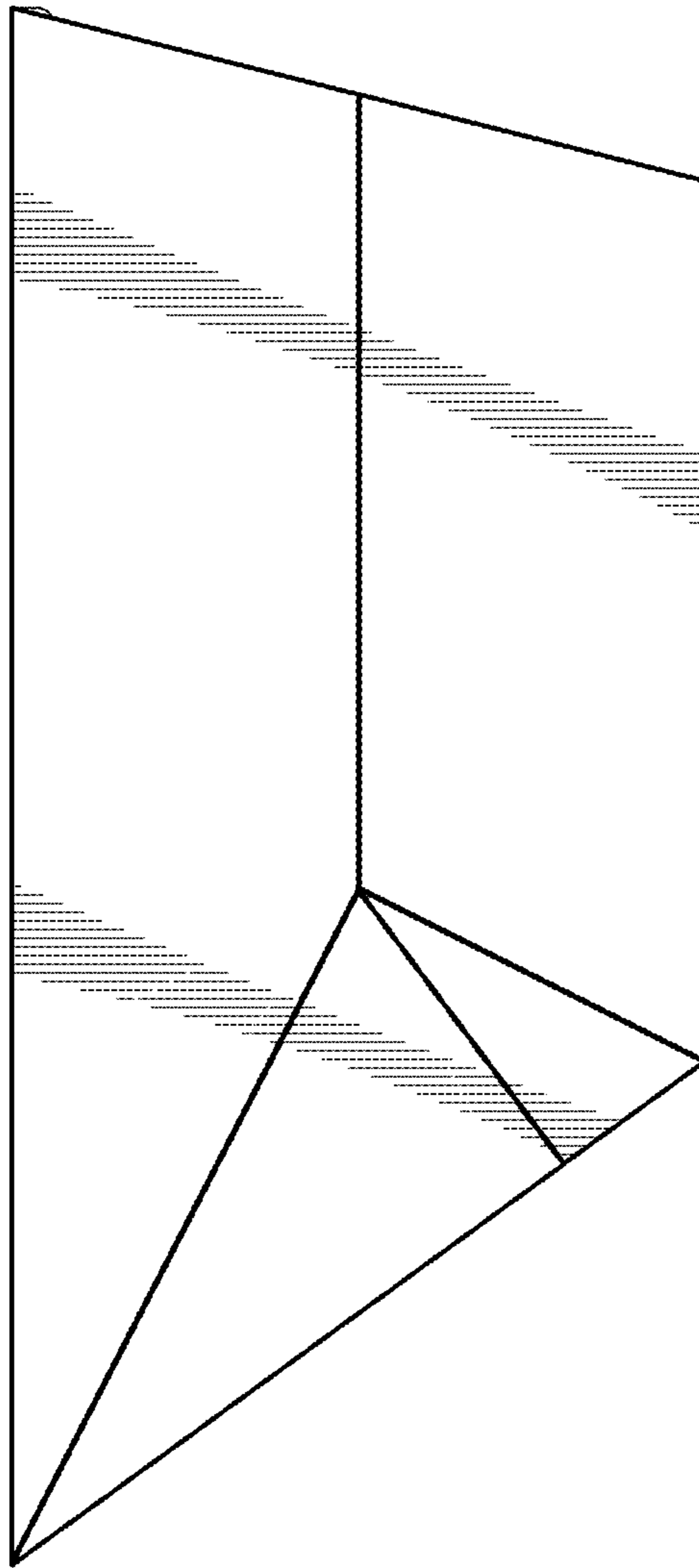


FIG. 12

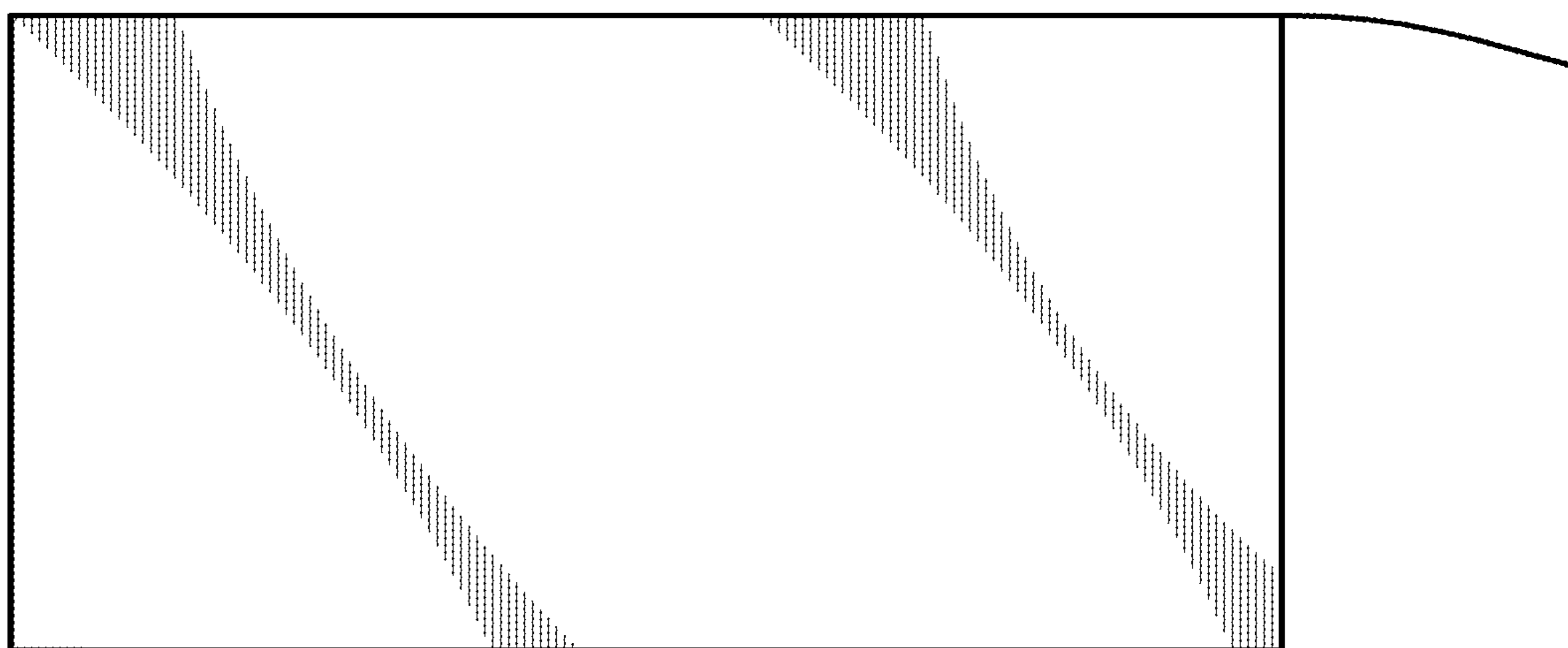


FIG. 13

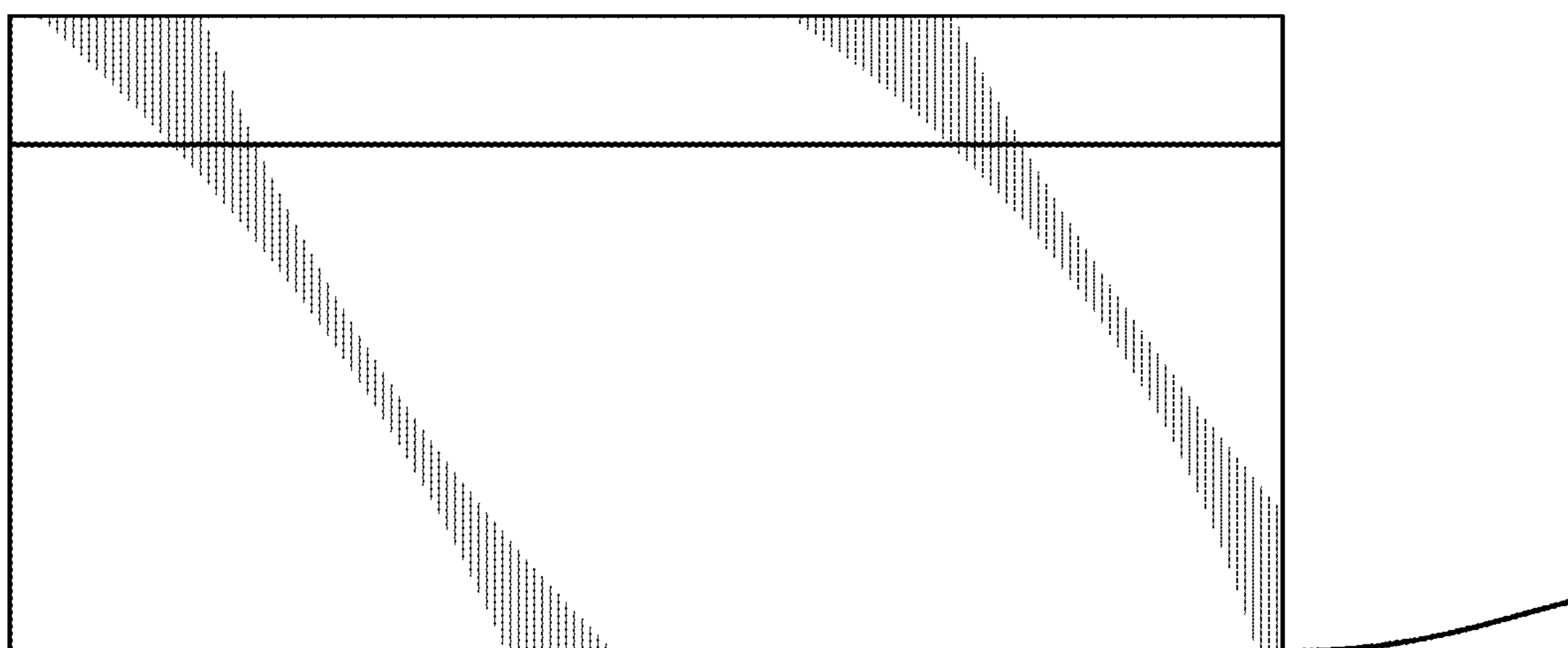


FIG. 14

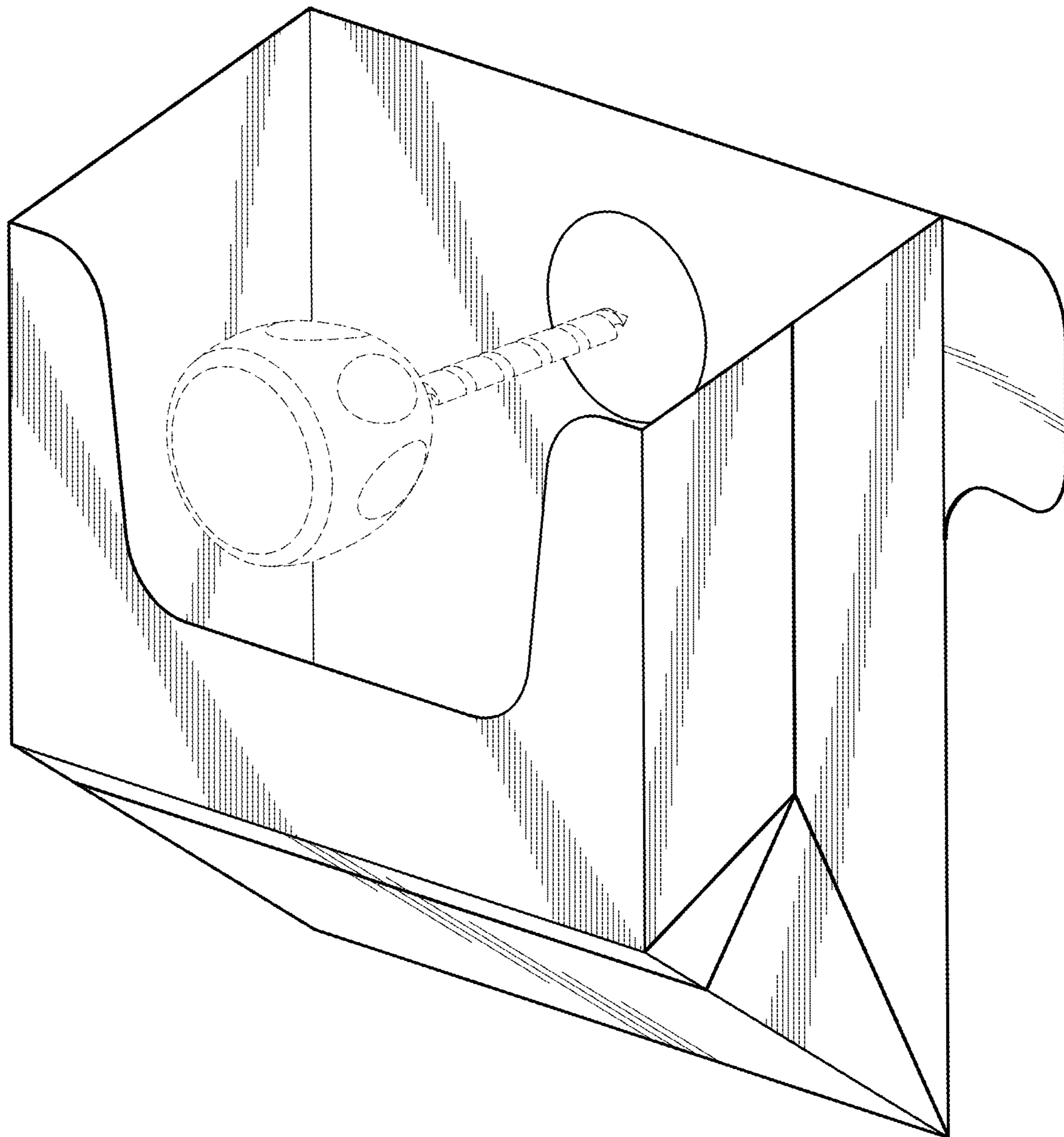


FIG. 15

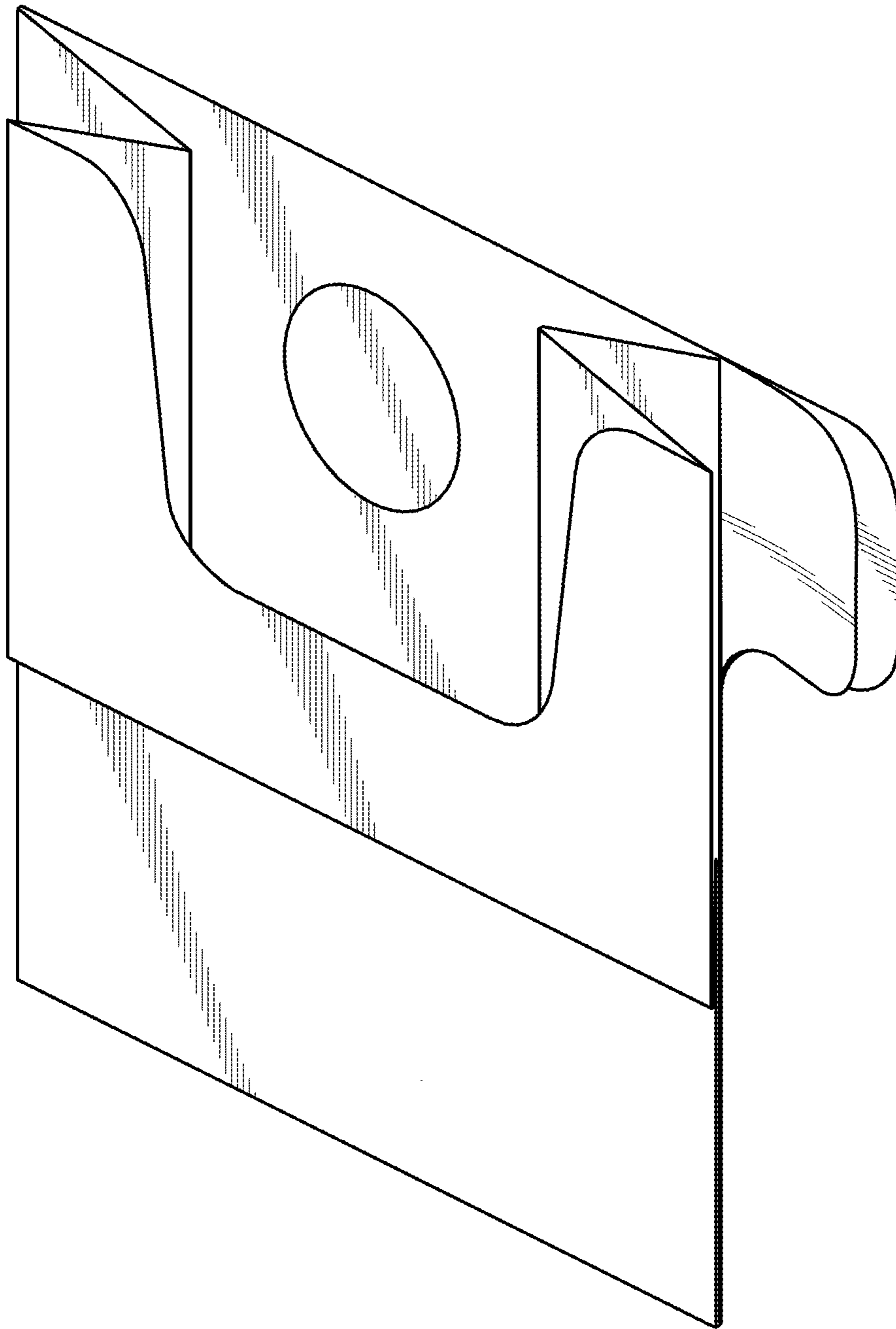


FIG. 16