



US00D881951S

(12) **United States Design Patent** (10) **Patent No.:** **US D881,951 S**
Chan (45) **Date of Patent:** **** Apr. 21, 2020**

(54) **MOTOR OF SEWING MACHINE** 4,707,643 A * 11/1987 Rohr D05B 69/18
112/277
(71) Applicant: **H. S. MACHINERY CO., LTD.**, New 4,742,430 A * 5/1988 Sawato D05B 69/12
Taipei (TW) 112/1
(72) Inventor: **Tzu Sang Chan**, New Taipei (TW) D298,228 S * 10/1988 Hoshino D13/112
D306,030 S * 2/1990 Sawato D15/72
D310,816 S * 9/1990 Sawato D13/112
(73) Assignee: **H.S. Machinery Co., Ltd.**, New Taipei 8,297,212 B* 10/2012 Tseng D05B 69/32
(TW) 112/220

(**) Term: **15 Years**
(21) Appl. No.: **29/657,575**
(22) Filed: **Jul. 24, 2018**

(30) **Foreign Application Priority Data**
Jan. 25, 2018 (TW) 107300483
(51) **LOC (12) Cl.** **15-06**
(52) **U.S. Cl.**
USPC **D15/72**
(58) **Field of Classification Search**
USPC D15/66-78; D13/112, 122
CPC D05B 69/00-69/36
See application file for complete search history.

(56) **References Cited**
U.S. PATENT DOCUMENTS
1,492,879 A * 5/1924 Erhardt D05B 69/12
476/64
1,574,745 A * 3/1926 Anketell D05B 69/12
476/64
1,643,191 A * 9/1927 Welch D05B 69/12
112/220
D174,491 S * 4/1955 Cole et al. D13/112
2,936,727 A * 5/1960 Ashworth D05B 69/22
112/274
D201,362 S * 6/1965 Crouse et al. D13/112
3,563,196 A * 2/1971 Nicolay D05B 69/12
112/220
4,570,555 A * 2/1986 Reinke D05B 69/125
112/220

FOREIGN PATENT DOCUMENTS

CN 101359852 * 2/2009 D05B 69/12
CN 201933294 * 8/2011 D05B 69/10
CN 103132257 * 6/2013 D05B 71/00
CN 105839309 * 8/2016 D05B 69/10

* cited by examiner

Primary Examiner — Mitchell I. Siegel
(74) *Attorney, Agent, or Firm* — Ware, Fressola, Maguire & Barber LLP

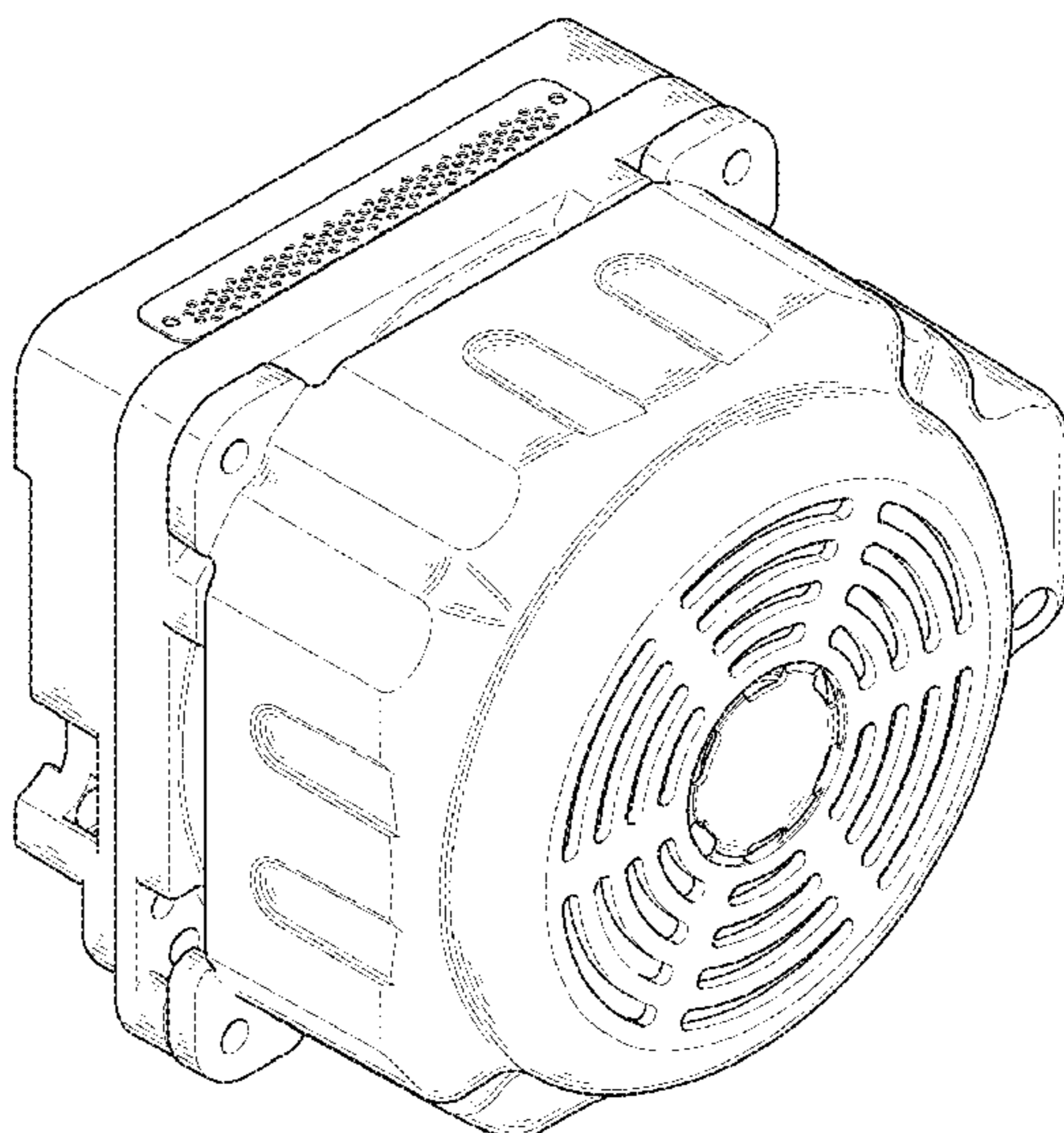
(57) **CLAIM**

The ornamental design for a motor of sewing machine, as shown and described.

DESCRIPTION

FIG. 1 is a perspective view showing my new design for a motor of sewing machine;
FIG. 2 is a front elevation view thereof;
FIG. 3 is a rear elevation view thereof;
FIG. 4 is a left side elevation view thereof;
FIG. 5 is a right side elevation view thereof;
FIG. 6 is a top plan view thereof;
FIG. 7 is a bottom plan view thereof; and,
FIG. 8 is a perspective view thereof showing the device in status of use.
The broken lines shown in the drawings are for the purpose of illustrating unclaimed environmental subject matter only and form no parts of the claimed design.

1 Claim, 8 Drawing Sheets



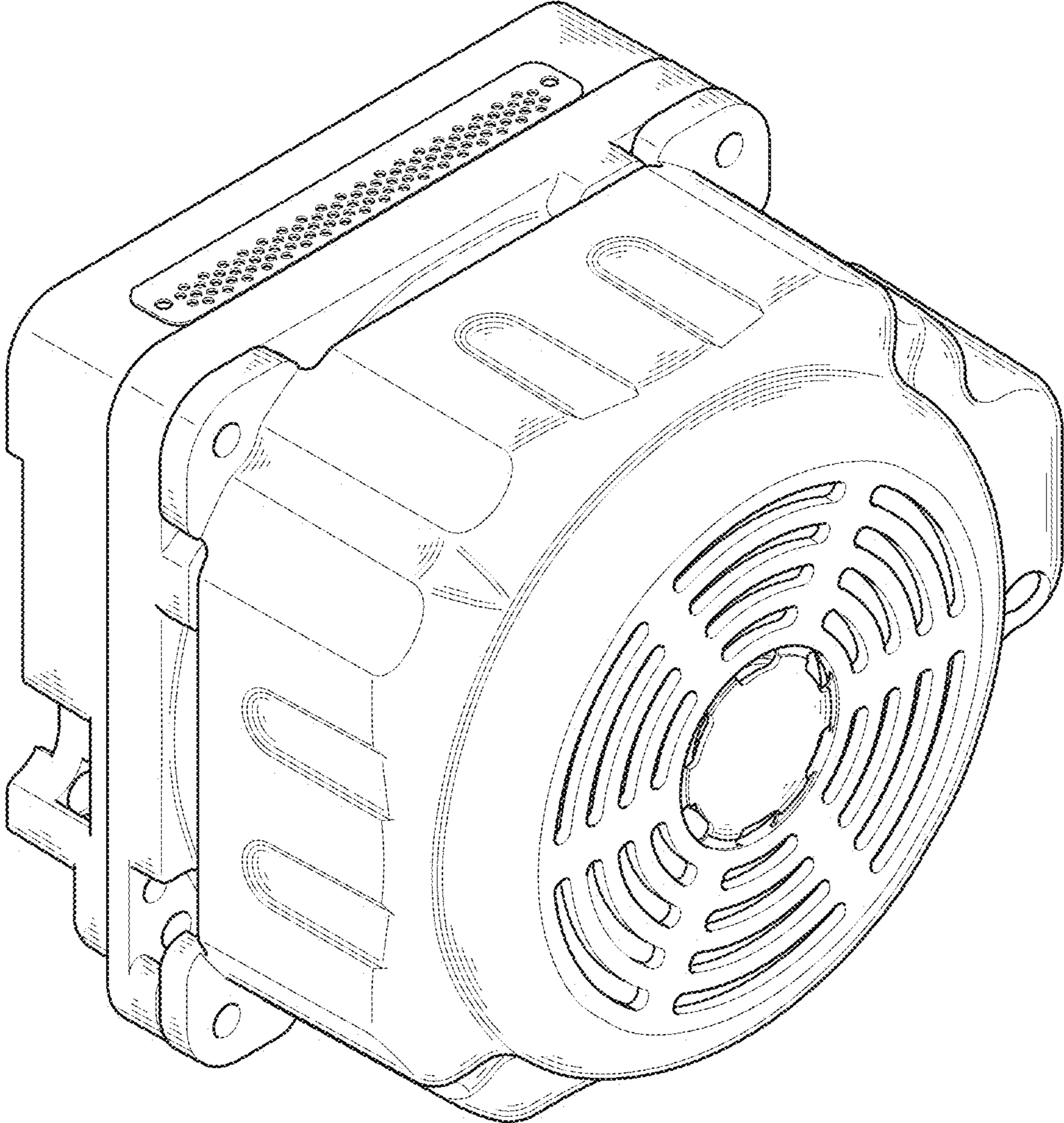


FIG. 1

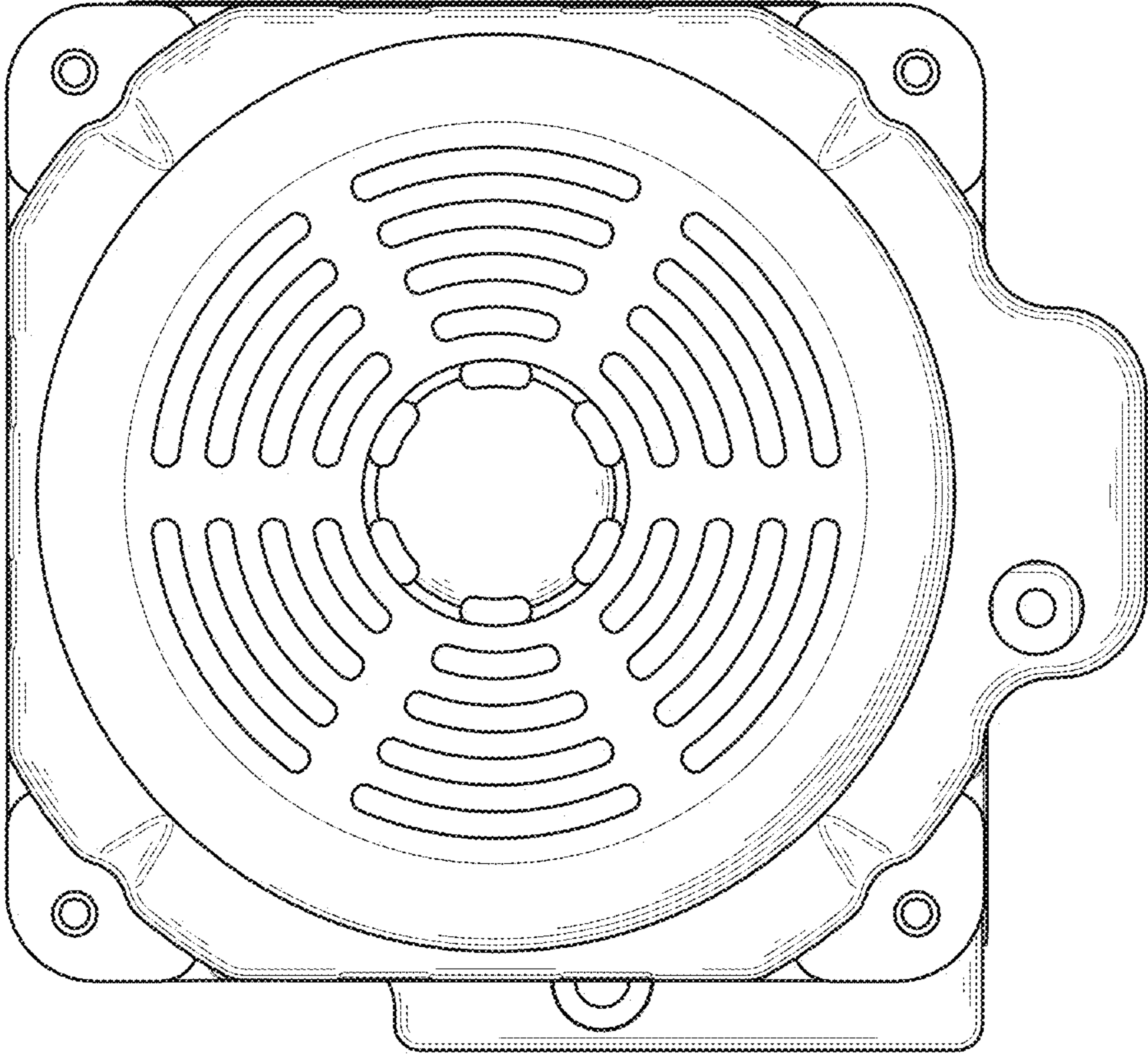


FIG. 2

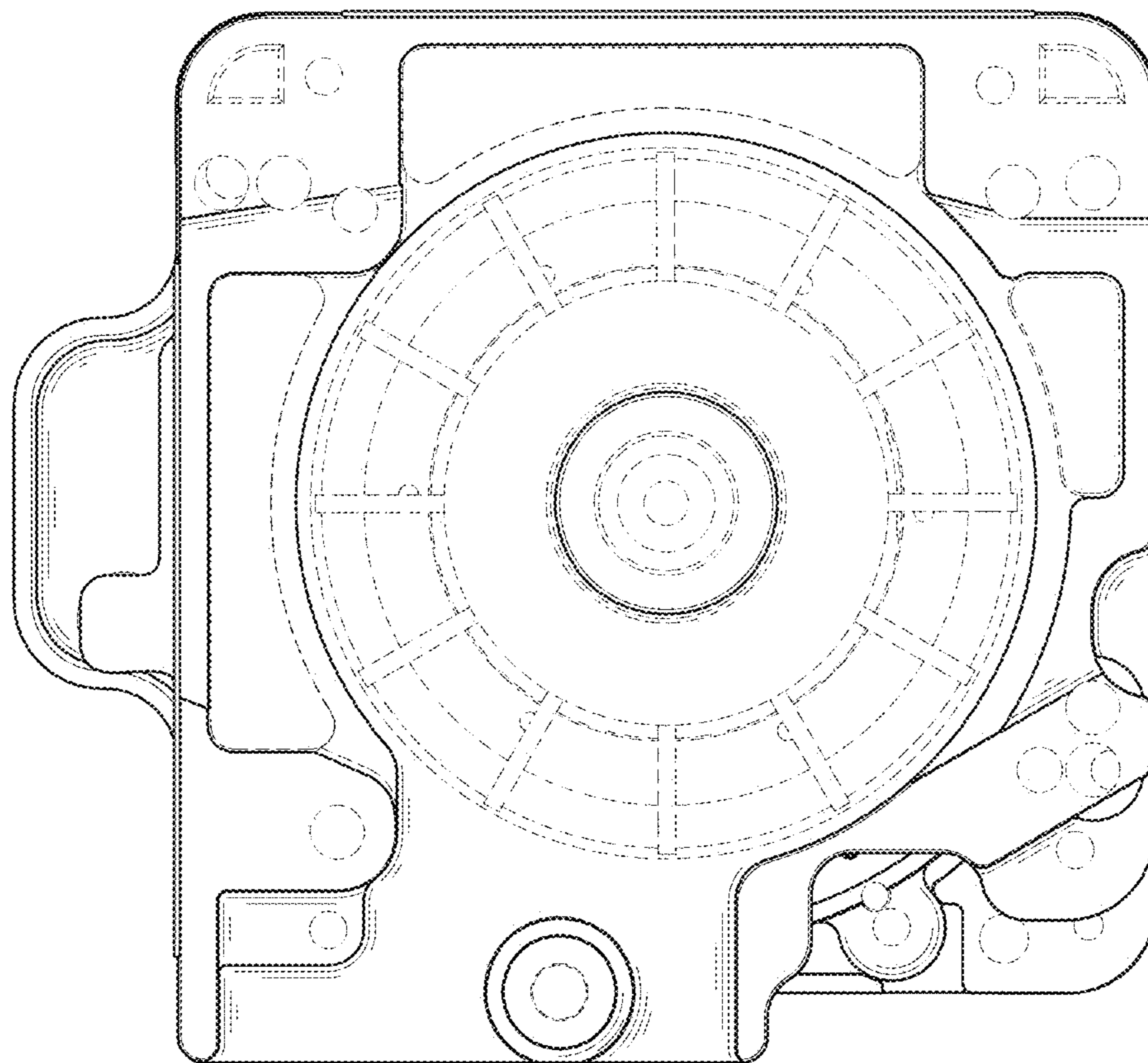


FIG.3

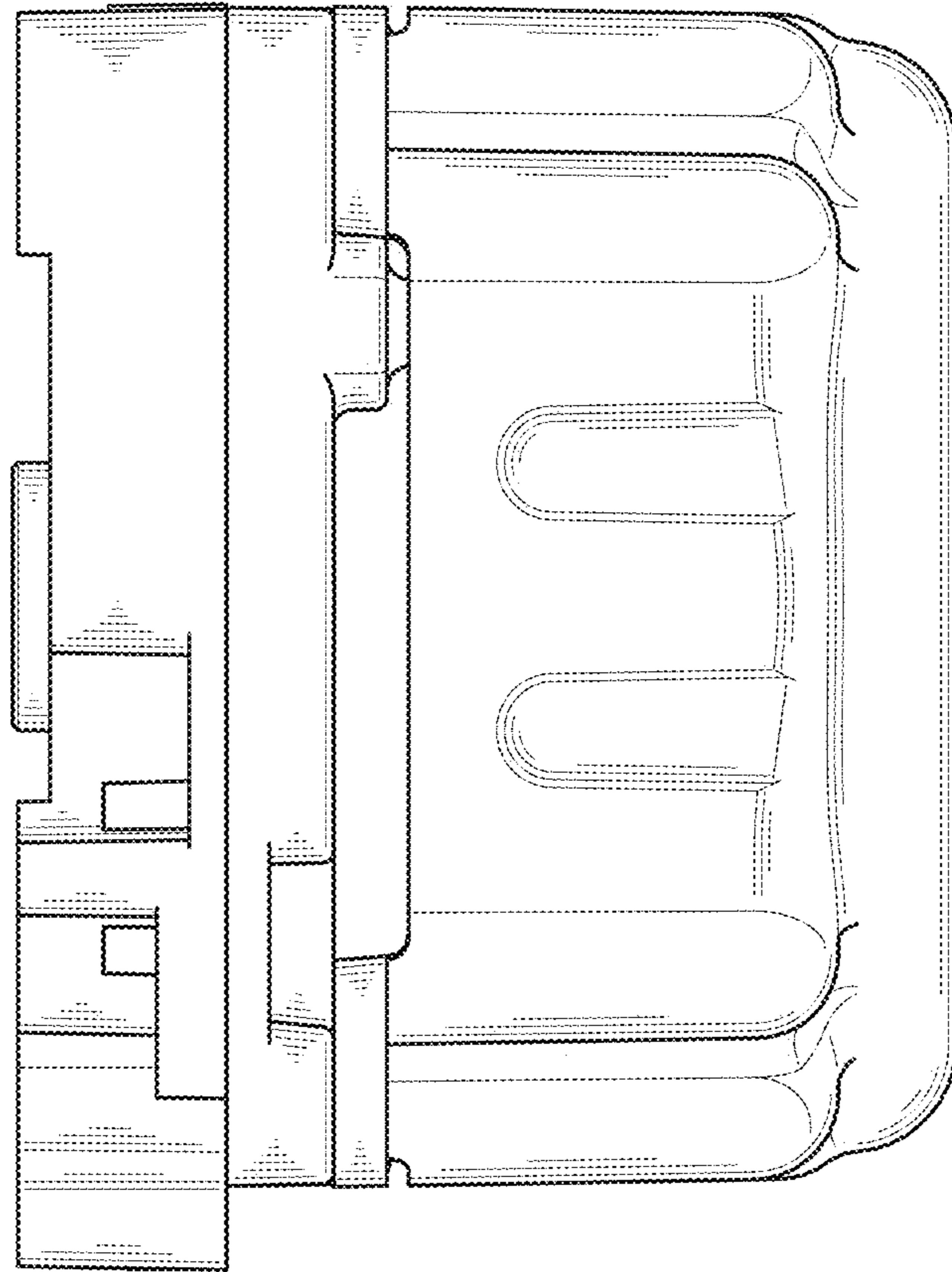


FIG. 4

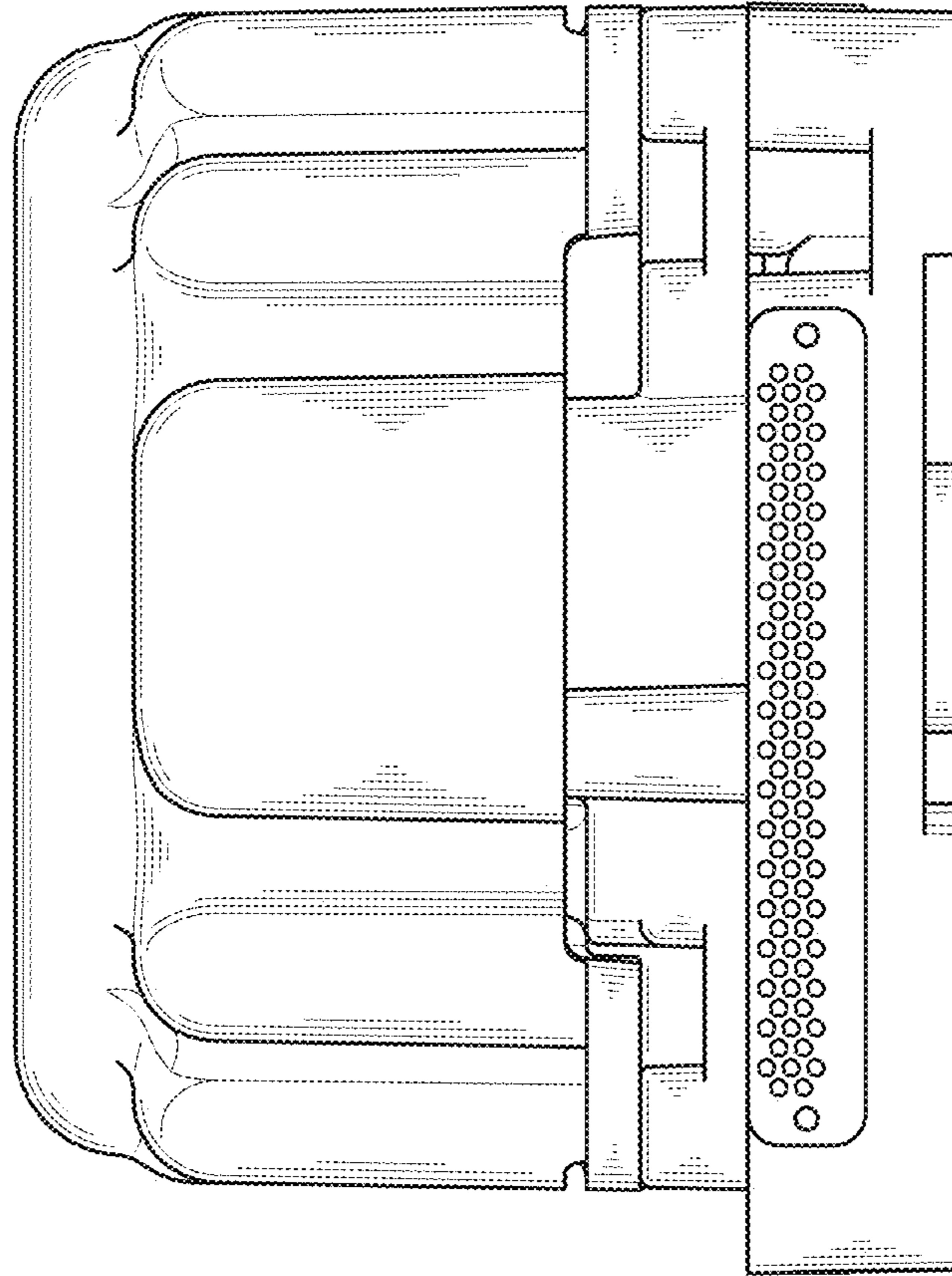


FIG. 5

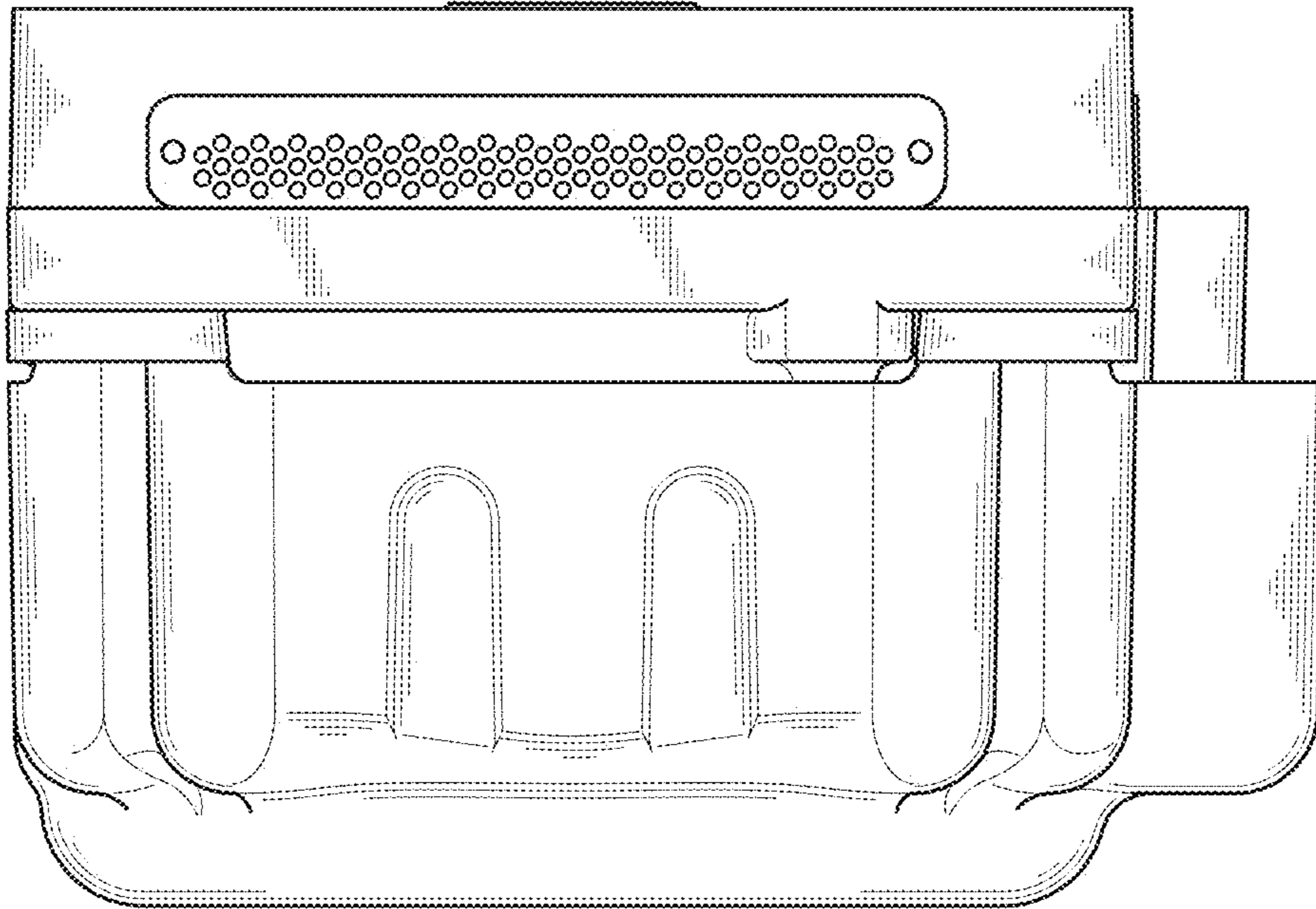


FIG. 6

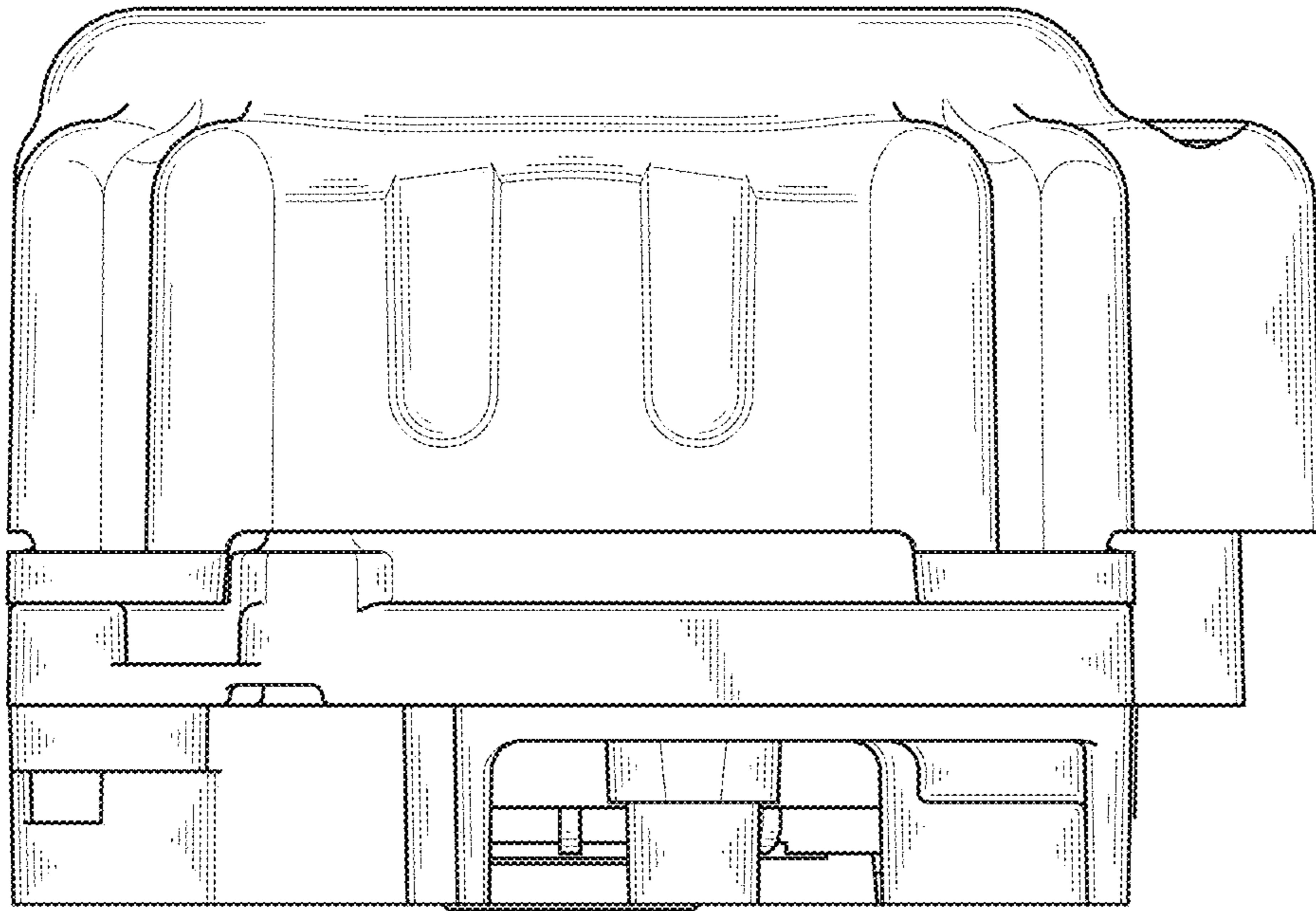


FIG. 7

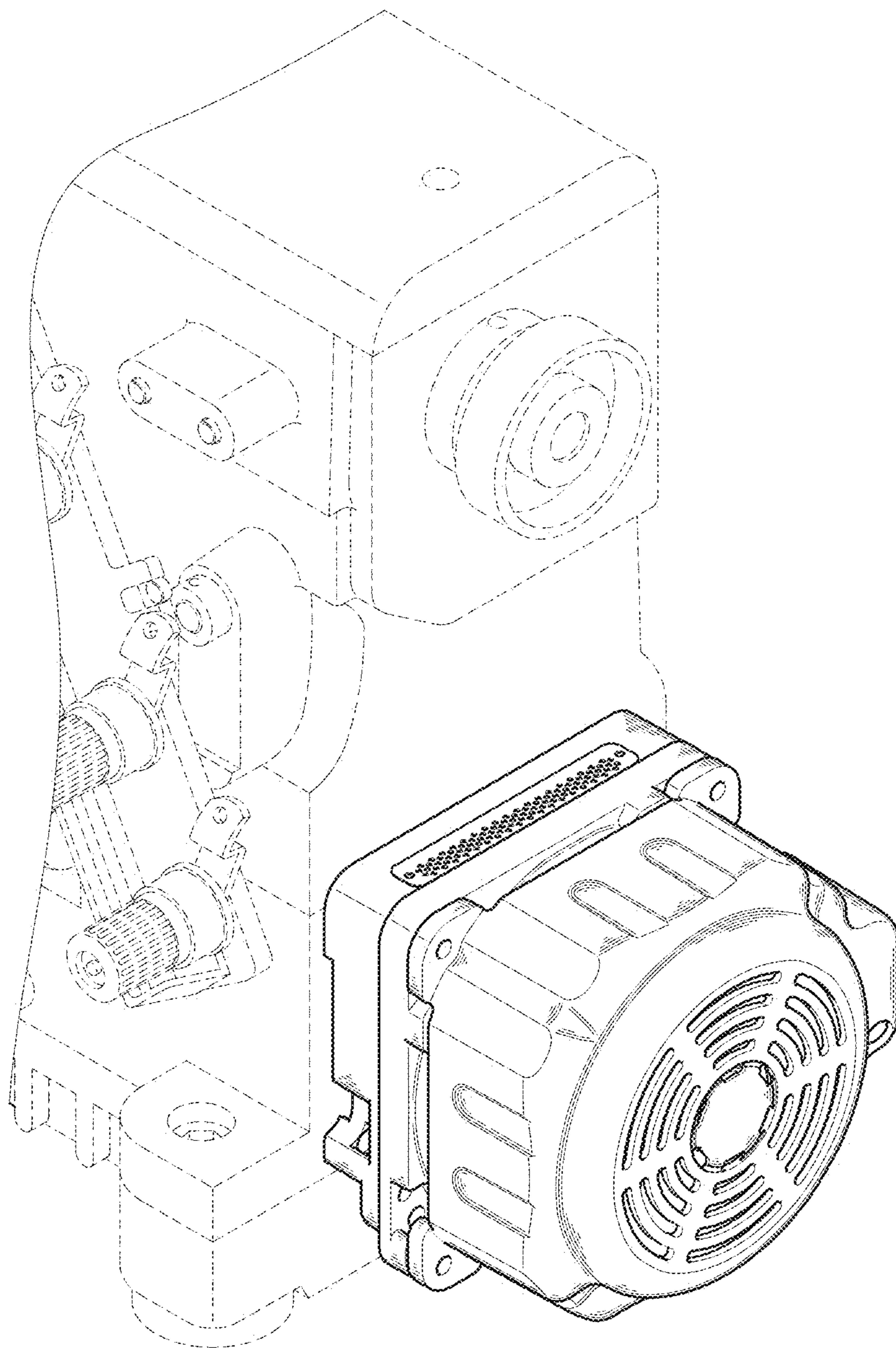


FIG. 8