



US00D881949S

(12) **United States Design Patent** (10) **Patent No.:** **US D881,949 S**
Stanley et al. (45) **Date of Patent:** **** Apr. 21, 2020**

(54) **LAND CLEARING TOOL**

2,242,808 A 5/1941 Austin
2,560,413 A 7/1951 Carlson
3,049,824 A 8/1962 McIninch
(Continued)

(71) Applicant: **Fecon, LLC**, Lebanon, OH (US)

(72) Inventors: **Jeffrey T. Stanley**, Lebanon, OH (US);
Steven K. Watson, III, Lebanon, OH (US)

FOREIGN PATENT DOCUMENTS

FR 2866909 A1 9/2005
WO 2009105752 A2 8/2009

(73) Assignee: **Fecon, LLC**, Lebanon, OH (US)

(**) Term: **15 Years**

OTHER PUBLICATIONS

International Search Report and Written Opinion received for International Application No. PCT/US2009/034872, dated Apr. 21, 2009, 8 pages.

(21) Appl. No.: **29/699,173**

(22) Filed: **Jul. 23, 2019**

(Continued)

Related U.S. Application Data

Primary Examiner — Mark A Goodwin

(74) *Attorney, Agent, or Firm* — Ulmer & Berne LLP

(63) Continuation of application No. 29/646,059, filed on May 1, 2018, now Pat. No. Des. 854,586.

(57) **CLAIM**

The ornamental design for a land clearing tool, as shown and described.

(51) **LOC (12) Cl.** **15-03**

(52) **U.S. Cl.**
USPC **D15/29**

DESCRIPTION

(58) **Field of Classification Search**
USPC D15/20, 21, 28, 29; 172/548, 540, 122, 172/554; 241/294, 242, 300, 189, 194, 241/195; 37/454, 453, 456, 452; 404/121, 235, 24.12, 34.1, 4.1; 144/241, 144/235, 24.12, 34.1, 4.1; 83/840; 56/13.6

FIG. 1 is an isometric view of a land clearing tool; FIG. 2 is a rear isometric view thereof; FIG. 3 is a right side view thereof; FIG. 4 is a left side view thereof; FIG. 5 is a top view thereof; FIG. 6 is a bottom view thereof; FIG. 7 is a front view thereof; and, FIG. 8 is a back view thereof.

CPC E02F 9/2833; E02F 9/2841; E02F 9/28; B02C 18/18; B02C 18/16; B02C 18/14; B02C 18/06; B02C 18/146; B02C 18/184; B02C 18/145; B02C 1/10

The line shading in FIGS. 1-8 represents contour and not surface ornamentation. The dot-dash lines define the bounds of the claimed design and form no part thereof. The broken lines illustrate portions of the land clearing tool that form no part of the claimed design.

See application file for complete search history.

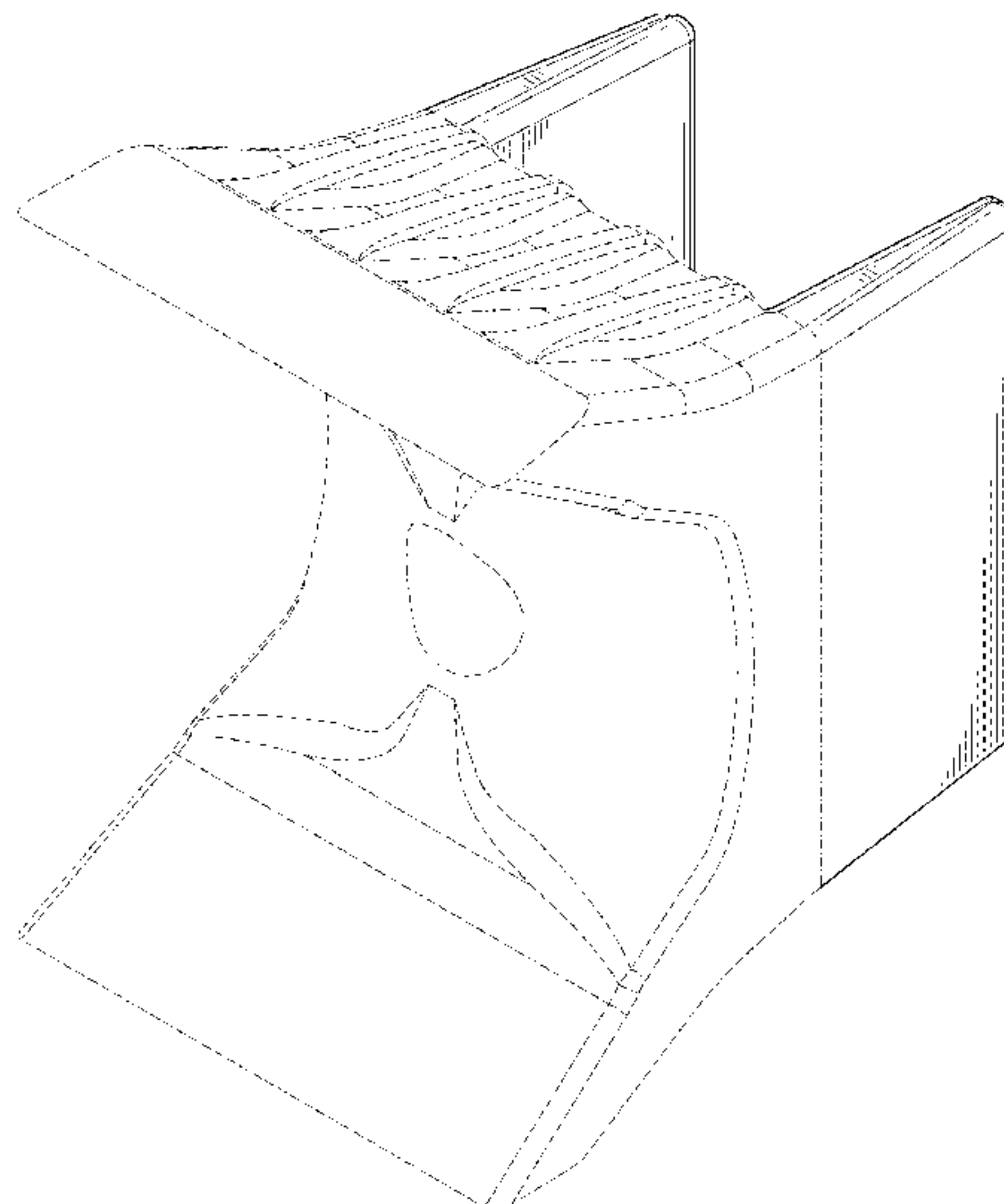
The broken line showing of the front part of the land clearing tool is included for the purpose of illustrating unclaimed portions of the land clearing tool and forms no part of the claimed design.

(56) **References Cited**

U.S. PATENT DOCUMENTS

833,797 A 10/1906 Ollrich
1,905,384 A 4/1933 Jass
2,131,947 A 10/1938 Gilmore

1 Claim, 8 Drawing Sheets



US D881,949 S

(56)

References Cited

U.S. PATENT DOCUMENTS

3,136,077	A *	6/1964	Troeppl	E02F 9/2858	7,150,215	B2	12/2006	Krehel	
						7,222,808	B2	5/2007	Edwards	
						7,278,462	B2	10/2007	Purdy et al.	
						7,281,676	B1	10/2007	Bennington	
						D567,270	S *	4/2008	Chiang	D15/140
						D567,832	S	4/2008	Edwards	
3,203,488	A	8/1965	Eastwood, III			7,380,576	B2	6/2008	Pizzuto	
3,274,908	A	9/1966	Grant et al.			D574,689	S *	8/2008	Holl	D8/71
3,277,802	A	10/1966	Petersen			7,448,567	B2	11/2008	Roozeboom et al.	
3,312,002	A *	4/1967	Benetti	E02F 9/2841	7,578,462	B2	8/2009	Edwards	
						7,584,921	B1	9/2009	Bennington et al.	
						7,607,867	B2 *	10/2009	Benson	B23B 27/164 407/101
3,358,569	A	12/1967	Averette							
3,490,117	A	1/1970	Hertel			7,634,897	B2	12/2009	MacLennan et al.	
3,642,214	A	2/1972	Blackwell, Jr.			7,713,006	B2	5/2010	MacLennan et al.	
3,774,324	A	11/1973	LaFond			7,810,531	B2	10/2010	Labbé	
3,837,408	A	9/1974	Green			7,828,026	B2	11/2010	MacLennan et al.	
3,850,375	A	11/1974	Ford			7,913,432	B2	3/2011	MacLennan et al.	
4,231,406	A	11/1980	Jonsson			7,938,350	B2	5/2011	Doppstadt et al.	
4,261,620	A *	4/1981	Troxler	E21B 10/58	7,967,044	B2	6/2011	Labbe et al.	
						7,980,278	B2	7/2011	Labbe et al.	
						D647,928	S	11/2011	MacLennan et al.	
4,329,091	A	5/1982	Erkfritz			8,167,225	B2	5/2012	Gaudreault	
4,667,713	A	5/1987	Wright			8,167,226	B2	5/2012	Engnell	
4,668,122	A	5/1987	Riddle			8,540,033	B2	9/2013	Stanley et al.	
4,682,916	A	7/1987	Briese			8,550,391	B2	10/2013	Denis et al.	
4,709,737	A	12/1987	Jonsson			8,550,392	B2	10/2013	Nakagawa	
4,727,664	A	3/1988	Hemphill			D699,269	S *	2/2014	Whittaker	D15/29
4,782,774	A	11/1988	Clarke			8,807,868	B2	8/2014	Schlenker et al.	
4,813,491	A	3/1989	Gross			8,807,869	B1	8/2014	Lee	
4,826,090	A	5/1989	Orphall			8,893,997	B2	11/2014	Gaudreault	
4,842,337	A	6/1989	Southern			8,893,998	B2	11/2014	Midorikawa et al.	
4,891,858	A	1/1990	Wachter			D757,124	S	5/2016	Stanley et al.	
4,918,843	A	4/1990	Kiesewetter et al.			D772,951	S	11/2016	Stanley et al.	
4,919,566	A	4/1990	Caron et al.			D781,354	S *	3/2017	Kunz	D15/28
4,932,447	A	6/1990	Morin			D791,195	S	7/2017	Stanley et al.	
	H946	8/1991	Lonn			D795,929	S	8/2017	Stanley et al.	
5,077,918	A	1/1992	Garman			D795,931	S	8/2017	Stanley et al.	
5,211,212	A	5/1993	Carlson et al.			D798,913	S	10/2017	Whittaker et al.	
5,259,692	A	11/1993	Beller et al.			9,943,037	B2	4/2018	Stanley et al.	
5,423,138	A	6/1995	Livesay et al.			D821,455	S	6/2018	Stanley et al.	
5,484,110	A	1/1996	Doppstadt			D835,680	S	12/2018	Stanley et al.	
5,503,339	A	4/1996	Doppstadt			D835,681	S	12/2018	Stanley et al.	
5,644,965	A	7/1997	MacLennan et al.			D835,682	S	12/2018	Stanley et al.	
5,647,263	A	7/1997	Wildey			D836,137	S	12/2018	Stanley et al.	
D397,697	S *	9/1998	Lauder	D15/29	10,201,130	B2	2/2019	Stanley et al.	
5,873,534	A	2/1999	Shinn			D854,586	S	7/2019	Stanley et al.	
5,875,980	A	3/1999	Schmid			D857,761	S *	8/2019	Balan	D15/29
6,024,143	A	2/2000	Ritchey			2002/0190148	A1	12/2002	Roozeboom et al.	
6,045,072	A	4/2000	Zehr			2003/0192299	A1	10/2003	Kaga et al.	
6,047,749	A	4/2000	Lamb			2004/0016153	A1	1/2004	Pippins	
D424,076	S	5/2000	Dibbern et al.			2005/0001084	A1	1/2005	Pizzuto	
6,059,373	A	5/2000	Wright et al.			2005/0098331	A1	5/2005	Edwards	
6,089,480	A	7/2000	Rawlings			2006/0272183	A1	12/2006	Kergen	
6,152,658	A	11/2000	Satran et al.			2007/0193428	A1	8/2007	MacLennan et al.	
D435,567	S *	12/2000	Clendenning	D15/29	2007/0261762	A1	11/2007	Eriksson	
D435,571	S	12/2000	Dibbern et al.			2008/0283257	A1	11/2008	Edwards	
6,176,445	B1	1/2001	Shinn			2008/0298909	A1 *	12/2008	Gaudreault	A01D 34/835 407/47
6,193,430	B1	2/2001	Culpepper et al.							
6,247,757	B1	6/2001	Cochran			2009/0014189	A1	1/2009	Stanley et al.	
D446,223	S *	8/2001	Edwards	D15/29	2009/0158910	A1	6/2009	Krehel	
D446,224	S	8/2001	Clendenning			2010/0011934	A1	1/2010	Micacchi	
D447,154	S	8/2001	Clendenning			2010/0043922	A1 *	2/2010	Leonardi	A01G 23/067 144/235
6,394,378	B1	5/2002	Ragnarsson							
D458,614	S *	6/2002	Esterhuysen	D15/29	2010/0180735	A1	7/2010	MacLennan et al.	
6,422,495	B1	7/2002	De Boef et al.			2011/0100658	A1	5/2011	Stanley et al.	
6,435,434	B1	8/2002	Monyak			2012/0032013	A1	2/2012	Rice et al.	
6,502,609	B1	1/2003	Guels			2013/0099039	A1	4/2013	Gaudreault	
6,517,274	B1	2/2003	Watanabe et al.			2013/0112792	A1 *	5/2013	Doppstadt	B02C 18/18 241/282.1
6,536,322	B1	3/2003	Butler et al.							
6,682,262	B2	1/2004	Caron et al.			2014/0217220	A1 *	8/2014	Weinberg	B02C 18/145 241/282.1
D486,503	S	2/2004	East							
6,708,431	B2	3/2004	Robinson et al.			2015/0014458	A1 *	1/2015	Pfoltner	A01B 33/103 241/101.742
6,712,551	B2	3/2004	Livesay et al.							
D488,174	S	4/2004	East							
6,725,758	B2	4/2004	MacLennan et al.			2016/0278298	A1	9/2016	Stanley et al.	
6,764,035	B2	7/2004	Denis et al.			2017/0079219	A1	3/2017	Stanley et al.	
6,810,783	B1	11/2004	Larose							
6,837,453	B2	1/2005	Sturm							
D517,104	S	3/2006	East							
7,108,452	B2	9/2006	Caron et al.							

(56)

References Cited

U.S. PATENT DOCUMENTS

2017/0106375 A1* 4/2017 Gaudreault B02C 18/18
2018/0199517 A1 7/2018 Stanley et al.

OTHER PUBLICATIONS

International Preliminary Report on Patentability received for International Application No. PCT/US2009/034872, dated Aug. 24, 2010, 7 pages.

* cited by examiner

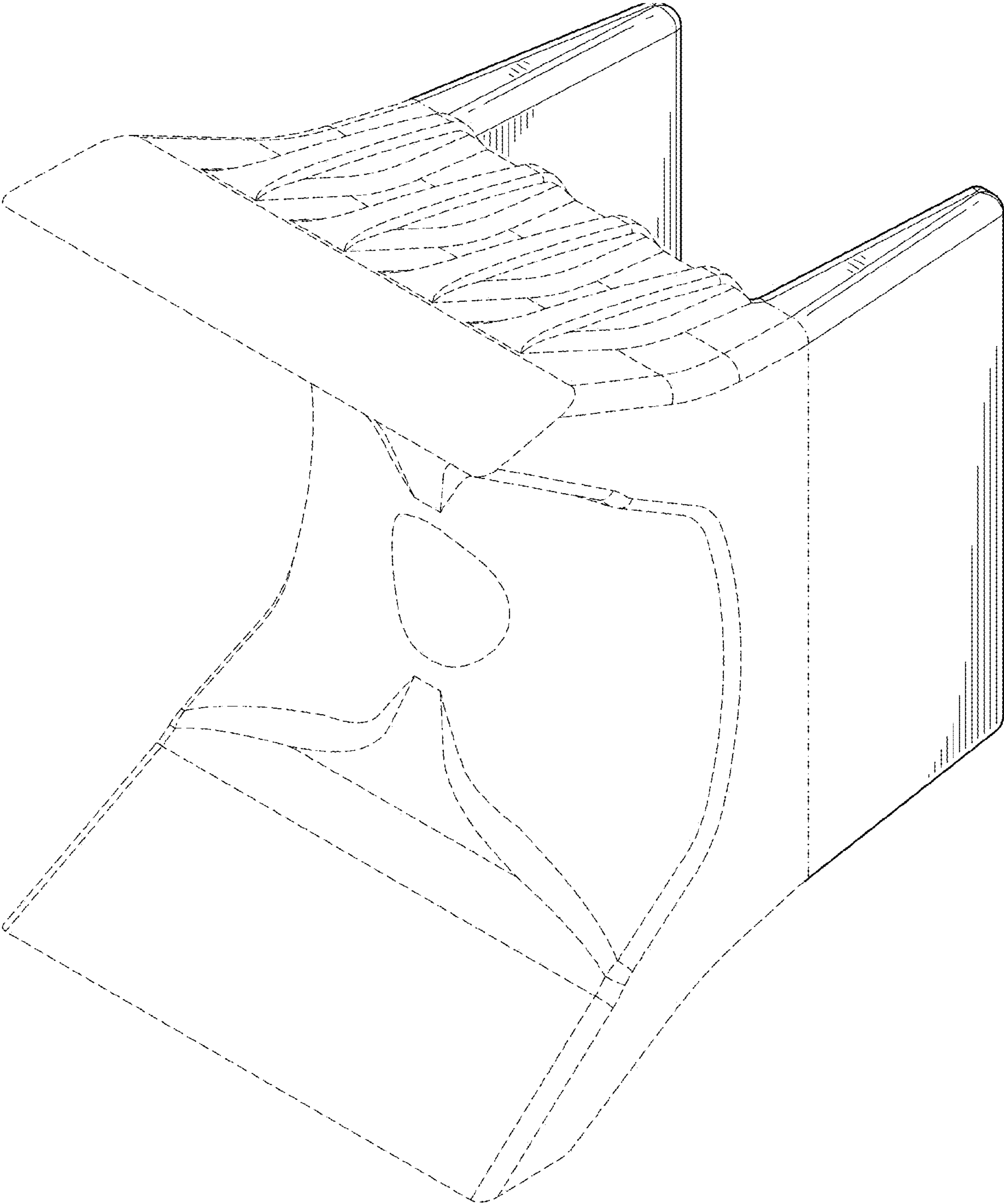


FIG. 1

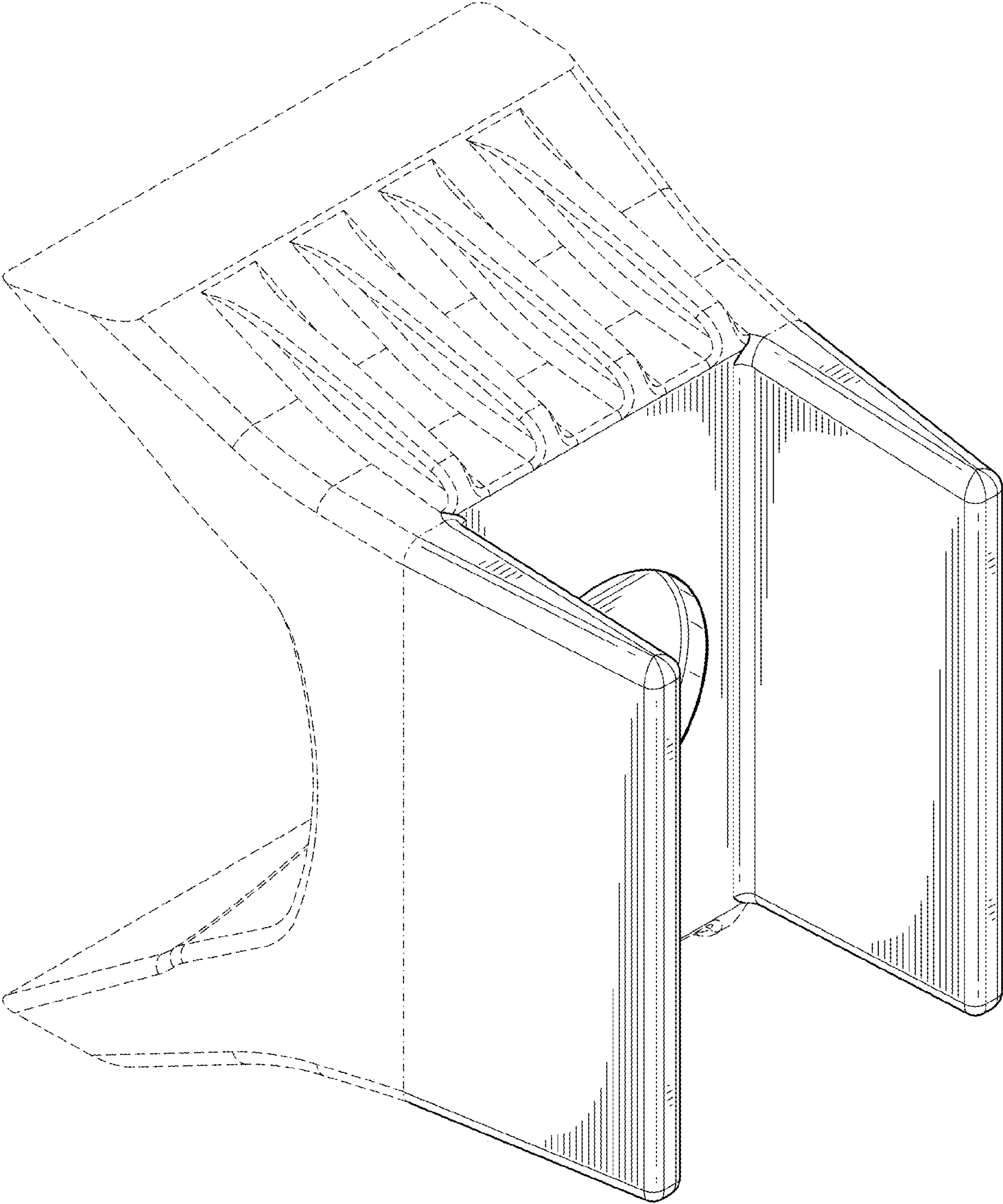


FIG. 2

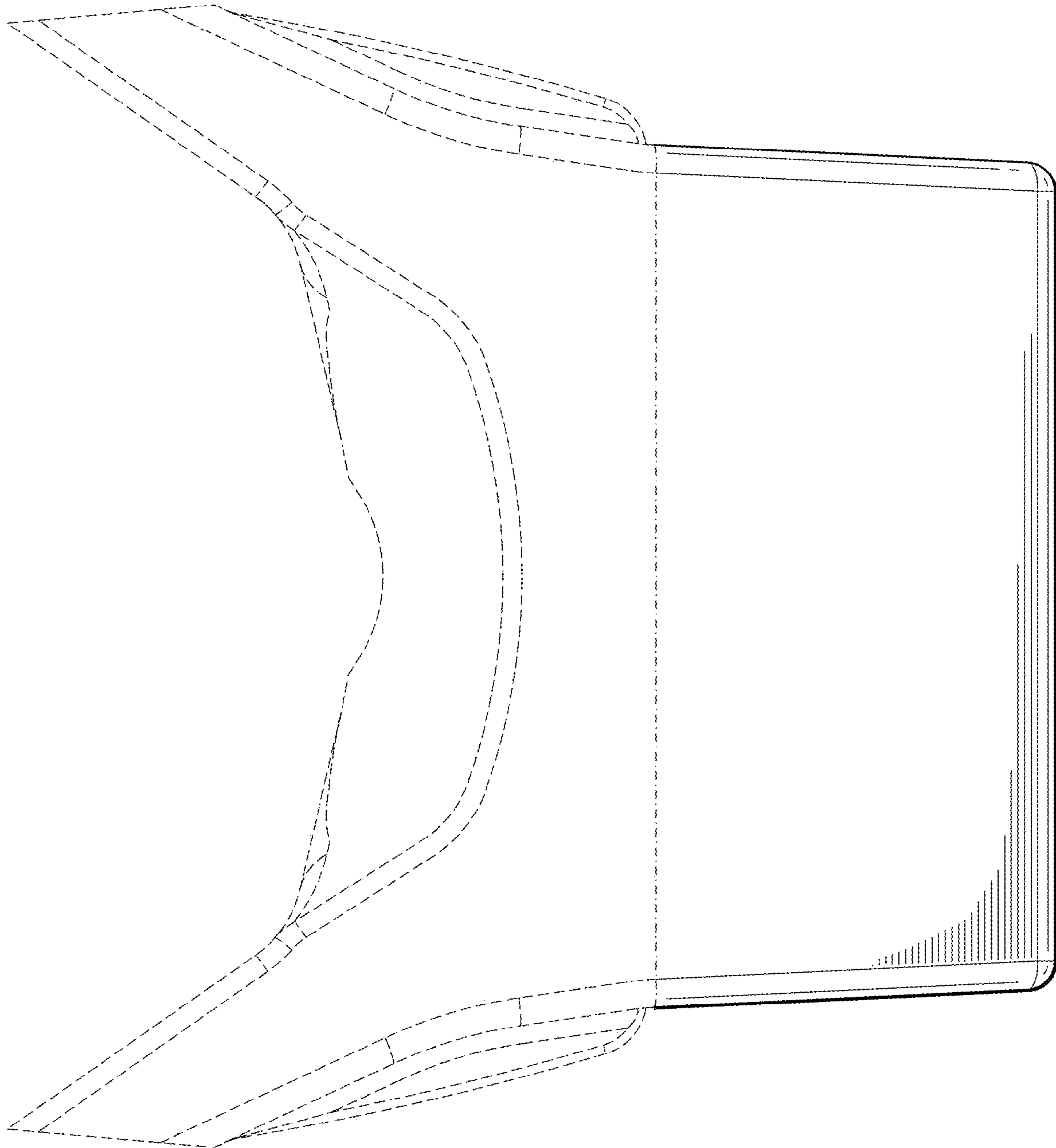


FIG. 3

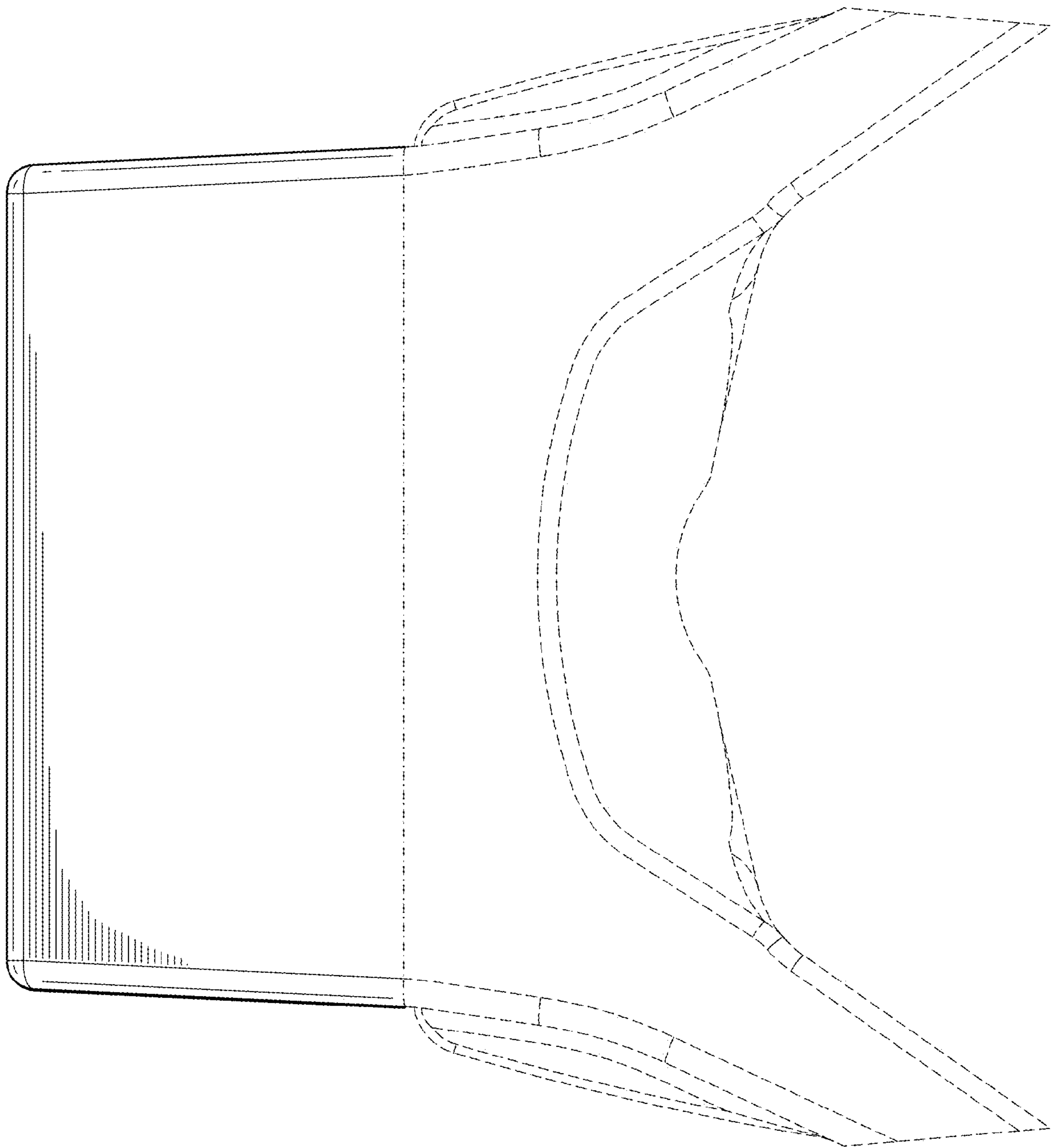


FIG. 4

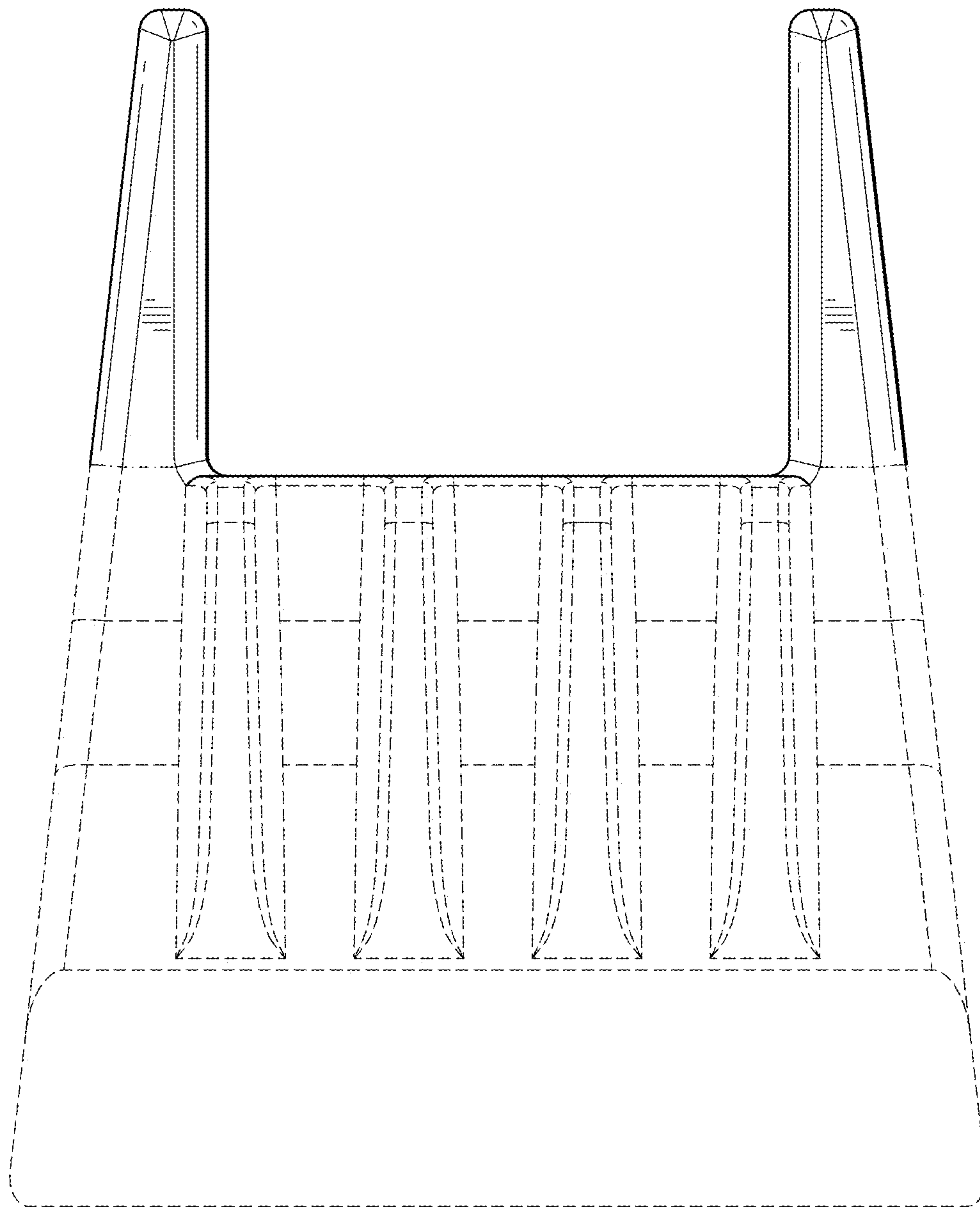


FIG. 5

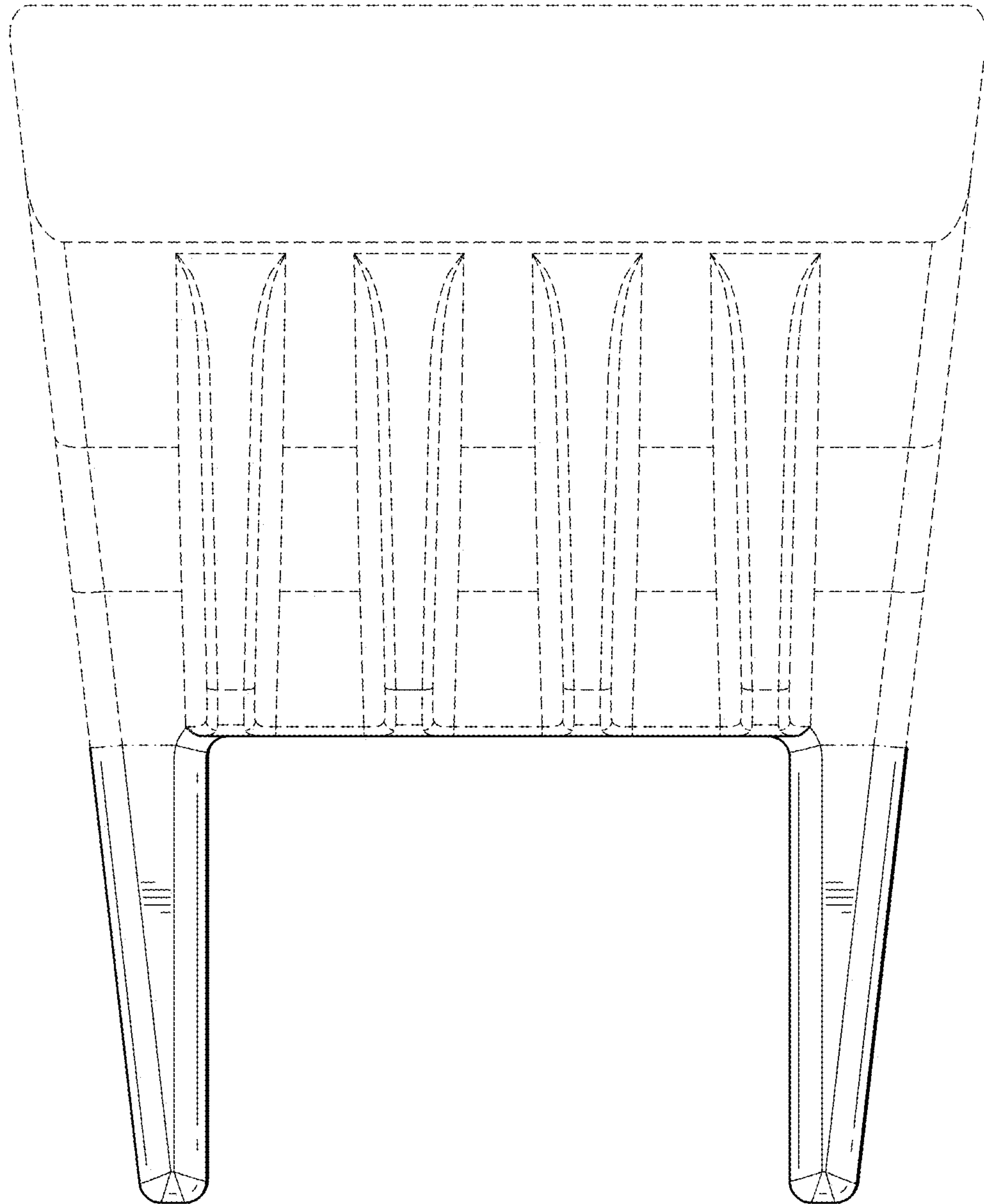


FIG. 6

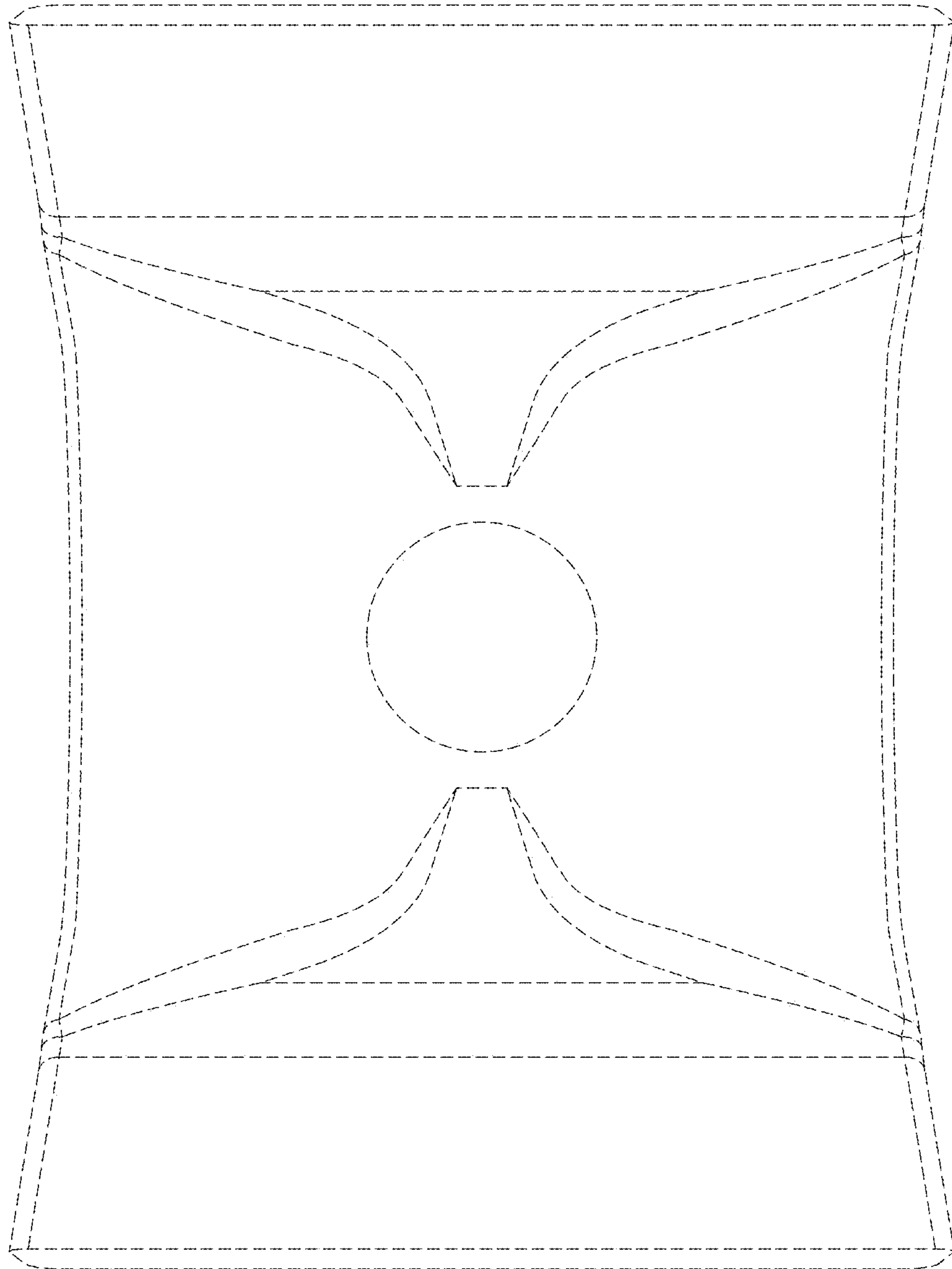


FIG. 7

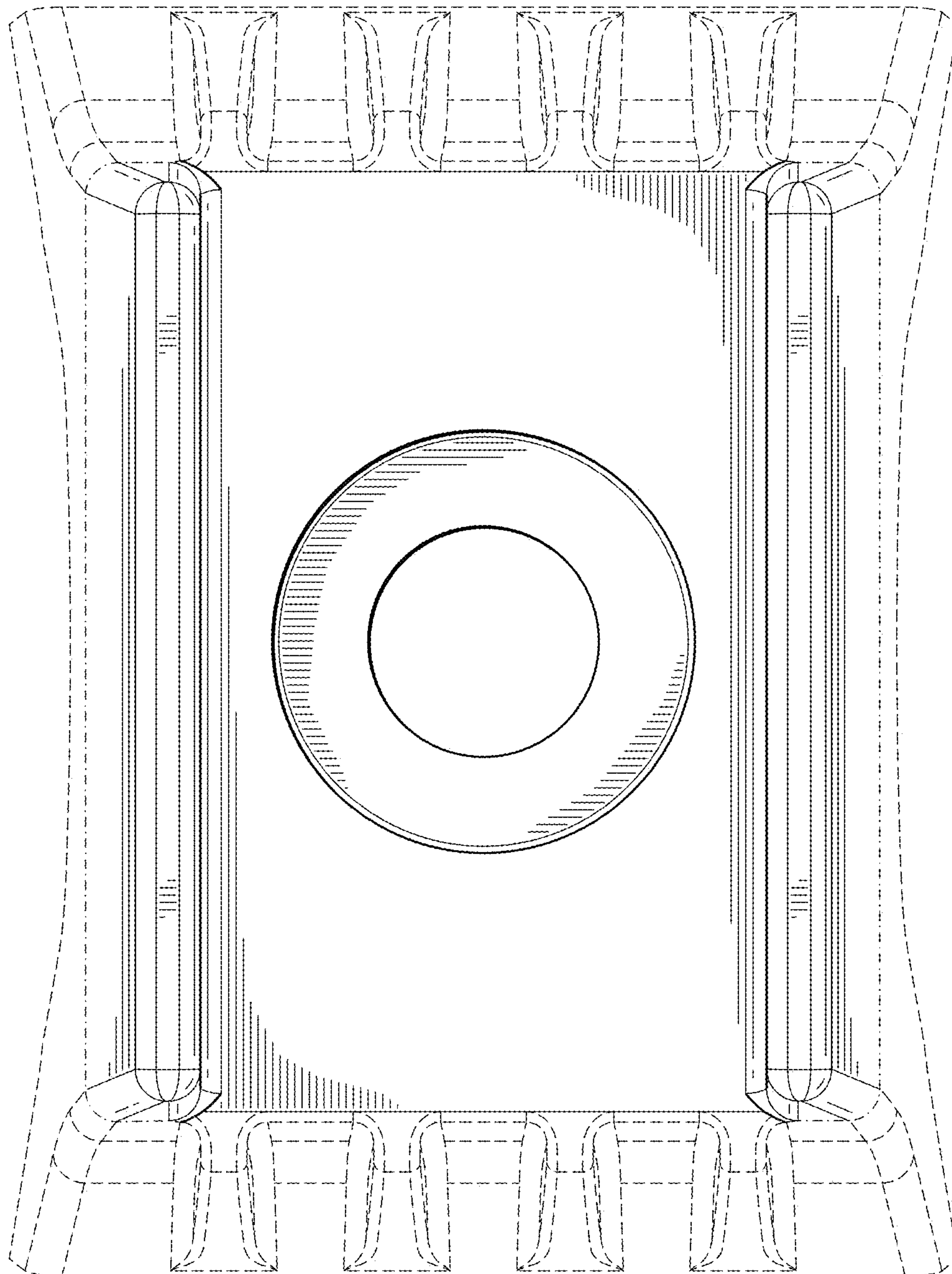


FIG. 8