



US00D881948S

(12) **United States Design Patent** (10) **Patent No.:** **US D881,948 S**
Talbot et al. (45) **Date of Patent:** **** Apr. 21, 2020**

(54) **POINTED GUARD FOR A SICKLE** 5,123,237 A * 6/1992 Lutz A01D 34/18
56/298
(71) Applicant: **MacDon Industries Ltd.,** Winnipeg D623,671 S * 9/2010 Bolyard D15/32
(CA) D707,262 S * 6/2014 Talbot D15/28
D707,723 S * 6/2014 Talbot D15/28
(72) Inventors: **Francois R. Talbot,** Winnipeg (CA); D707,724 S * 6/2014 Talbot D15/28
Tyler James Maes, La Salle (CA) D707,725 S * 6/2014 Talbot D15/28
D707,726 S * 6/2014 Talbot D15/28
(73) Assignee: **MacDon Industries Ltd.,** Winnipeg, D714,352 S * 9/2014 Talbot D15/28
MB (CA) D714,353 S * 9/2014 Talbot D15/28
D714,354 S * 9/2014 Talbot D15/28
D714,355 S * 9/2014 Talbot D15/28
D746,341 S * 12/2015 Talbot D15/28
(**) Term: **15 Years** 2009/0199529 A1 * 8/2009 Schroeder A01D 57/10
56/12.9

(21) Appl. No.: **29/680,855**
(22) Filed: **Feb. 20, 2019**
(51) **LOC (12) Cl.** **15-03**
(52) **U.S. Cl.**
USPC **D15/28; D15/29**
(58) **Field of Classification Search**
USPC D15/11, 17, 28, 29, 32; 56/298, 310,
56/307, 305, 311, 12.9
CPC A01D 34/18; A01D 34/02; A01D 34/13;
A01D 34/135; A01D 34/16; A01D 46/00;
A01D 75/10; Y10T 29/49451
See application file for complete search history.

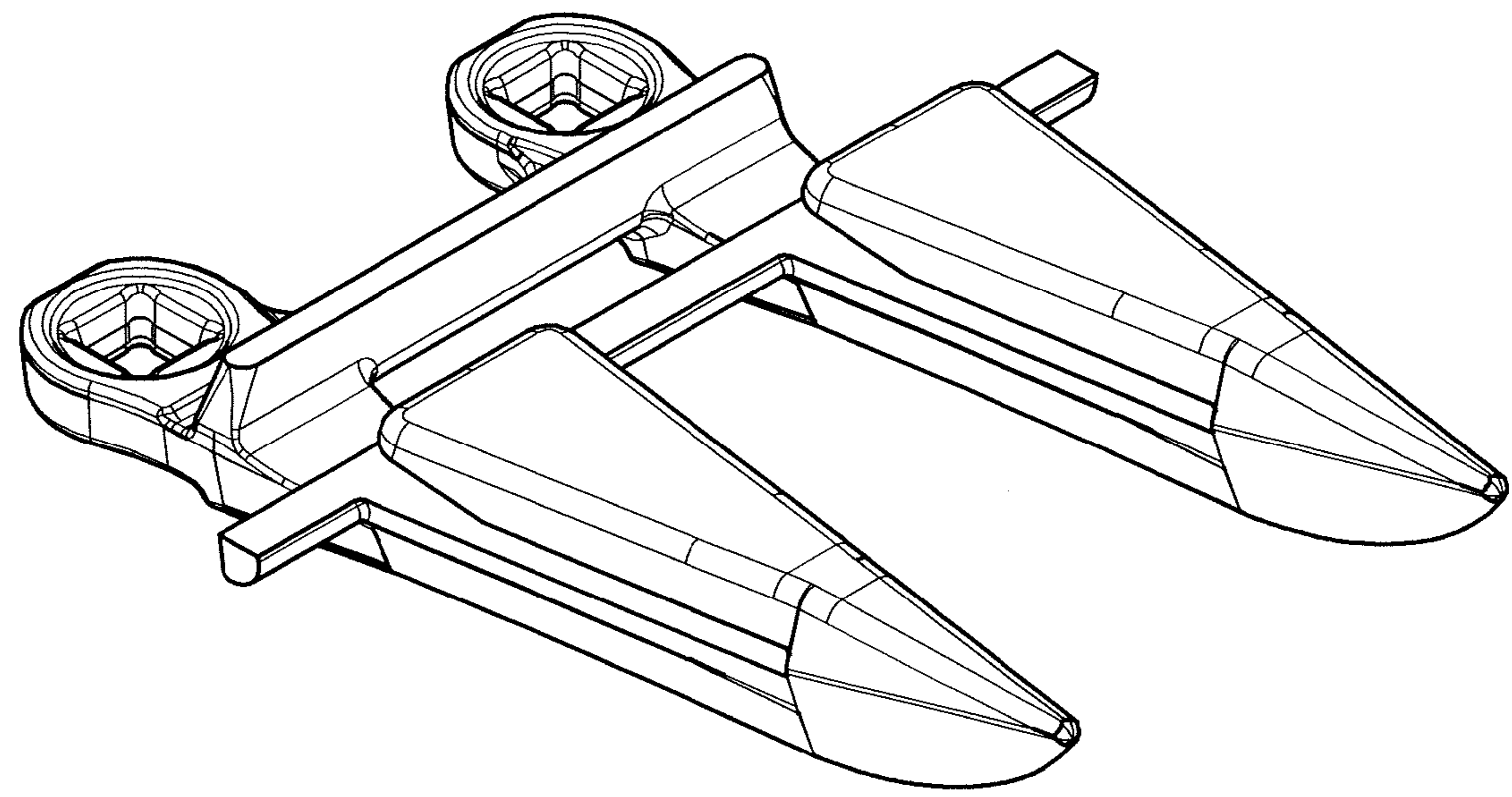
(56) **References Cited**
U.S. PATENT DOCUMENTS
413,116 A * 10/1889 Walker A01D 34/18
56/311
2,484,630 A * 10/1949 Magee A01D 34/18
56/309
2,619,787 A * 12/1952 Mills A01D 34/13
56/310
D197,903 S * 4/1964 Scarnato et al. D15/28
3,401,512 A * 9/1968 Pool A01D 34/13
56/298
D225,356 S * 12/1972 Neal et al. D15/28
4,519,192 A * 5/1985 Oppenhuisen A01D 34/18
56/298

* cited by examiner
Primary Examiner — Mark A Goodwin
(74) *Attorney, Agent, or Firm* — Adrian D. Battison; Ade
& Company Inc.; Ryan W. Dupuis

(57) **CLAIM**
The ornamental design for a pointed guard for a sickle, as
shown and described.

DESCRIPTION
FIG. 1 is an isometric view from the top and one side of the
pointed guard for a sickle showing the design.
FIG. 2 is a first side elevational view of the pointed guard for
a sickle showing the design.
FIG. 3 is a second side elevational view of the pointed guard
for a sickle showing the design.
FIG. 4 is a front elevational view of the pointed guard for a
sickle showing the design.
FIG. 5 is a rear elevational view of the pointed guard for a
sickle showing the design.
FIG. 6 is a top plan view of the pointed guard for a sickle
showing the design; and,
FIG. 7 is a bottom plan view of the pointed guard for a sickle
showing the design.

1 Claim, 3 Drawing Sheets



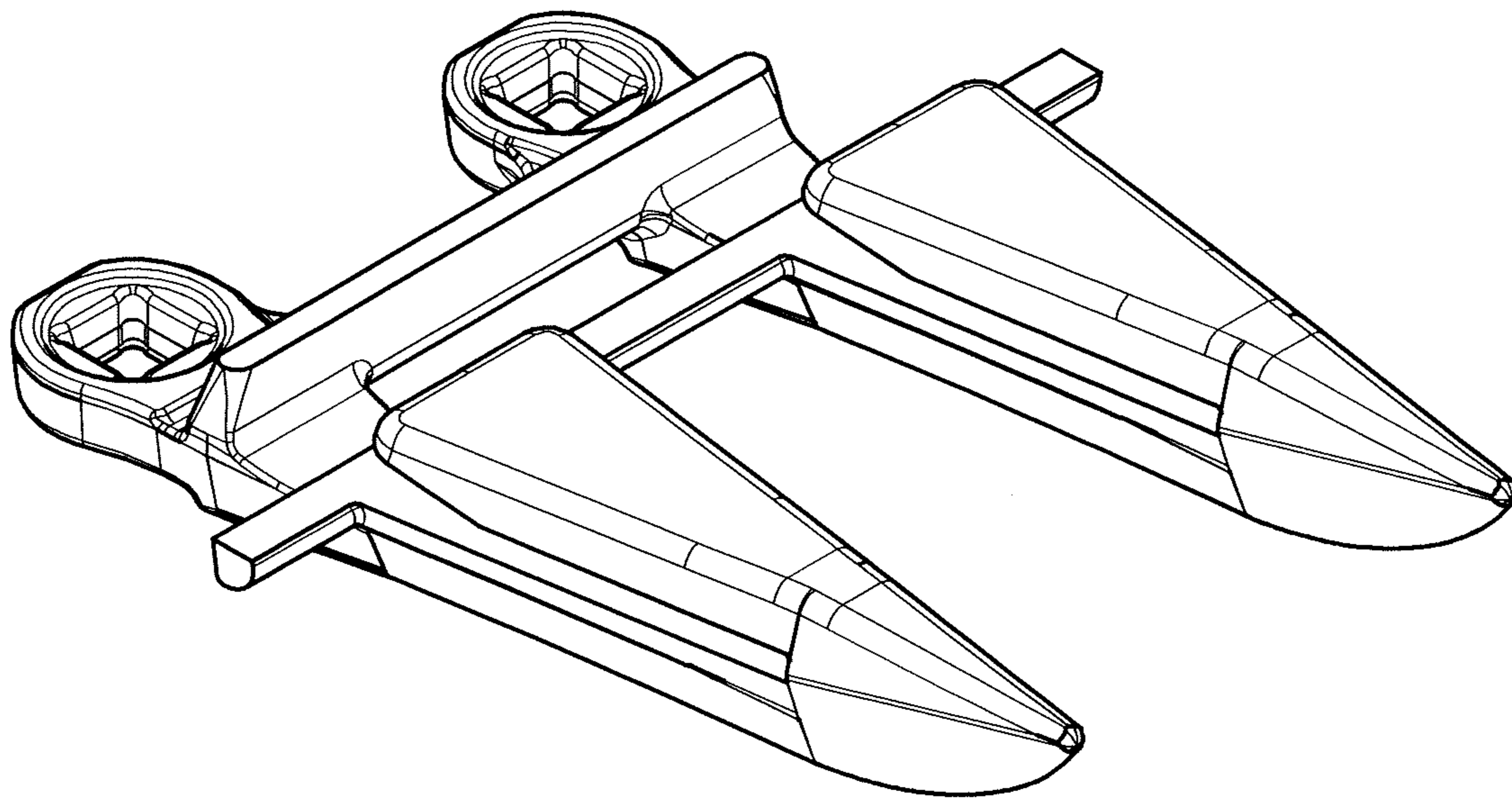


FIG. 1

FIG. 6

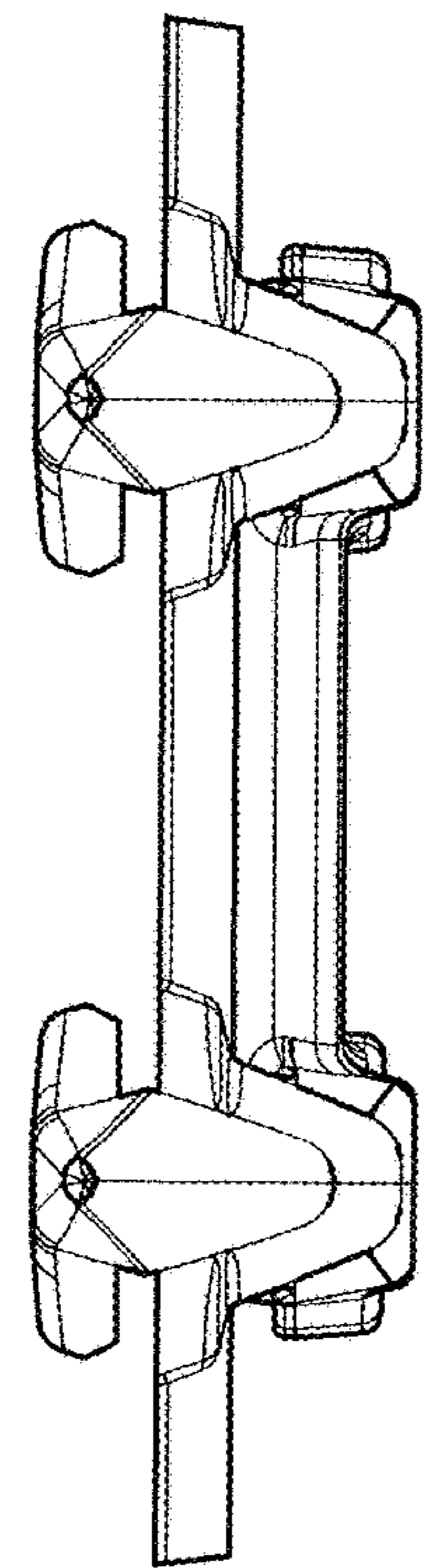
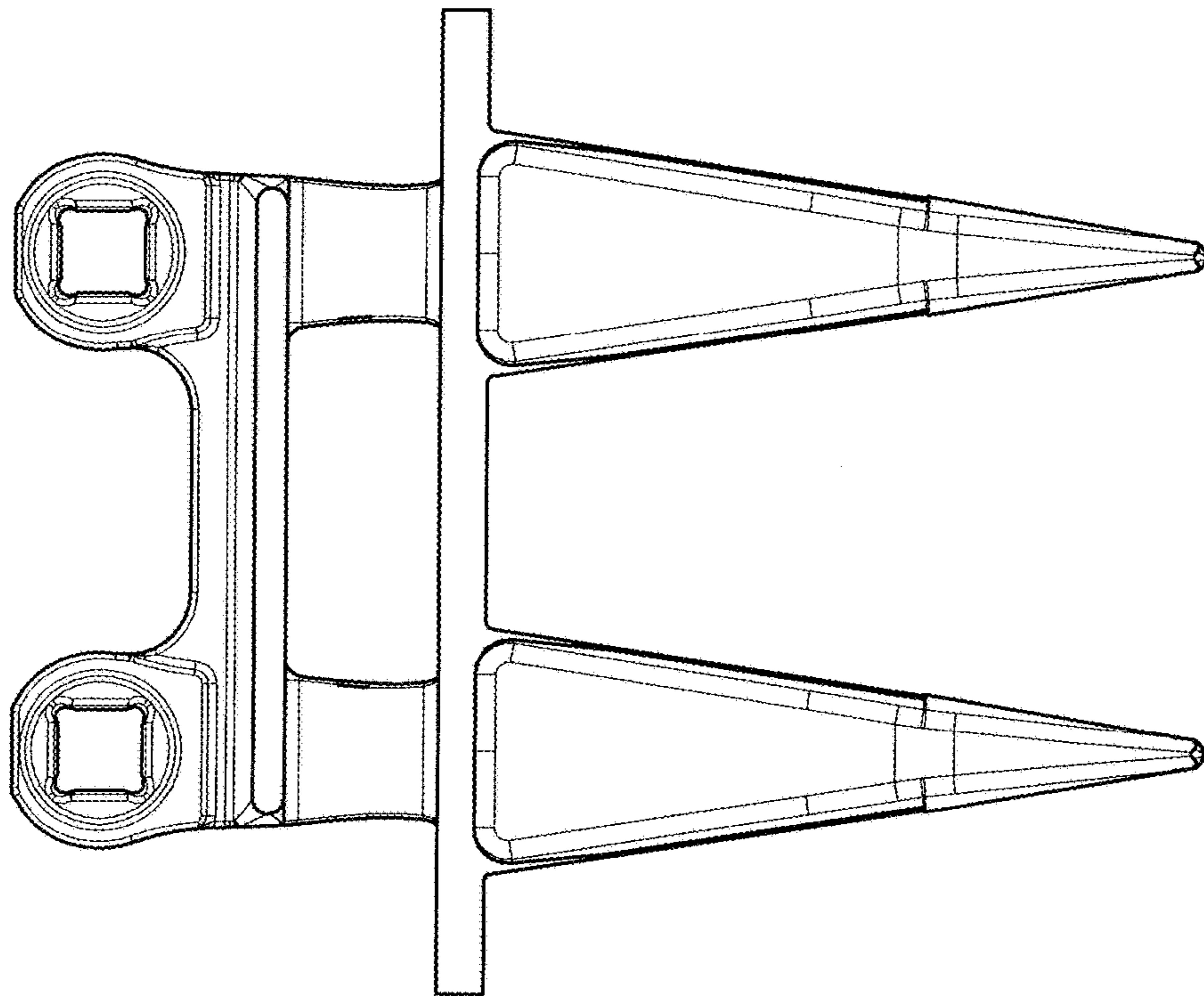


FIG. 4

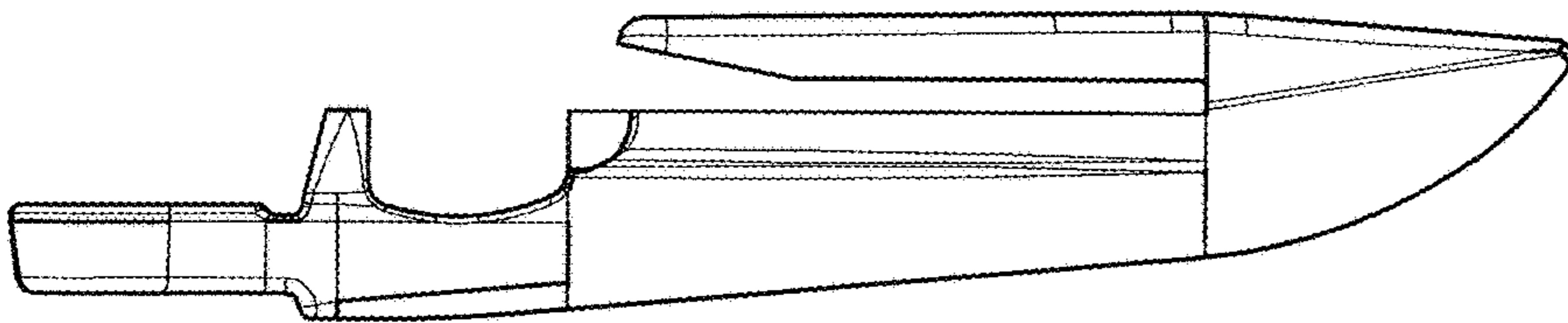


FIG. 2

FIG. 3

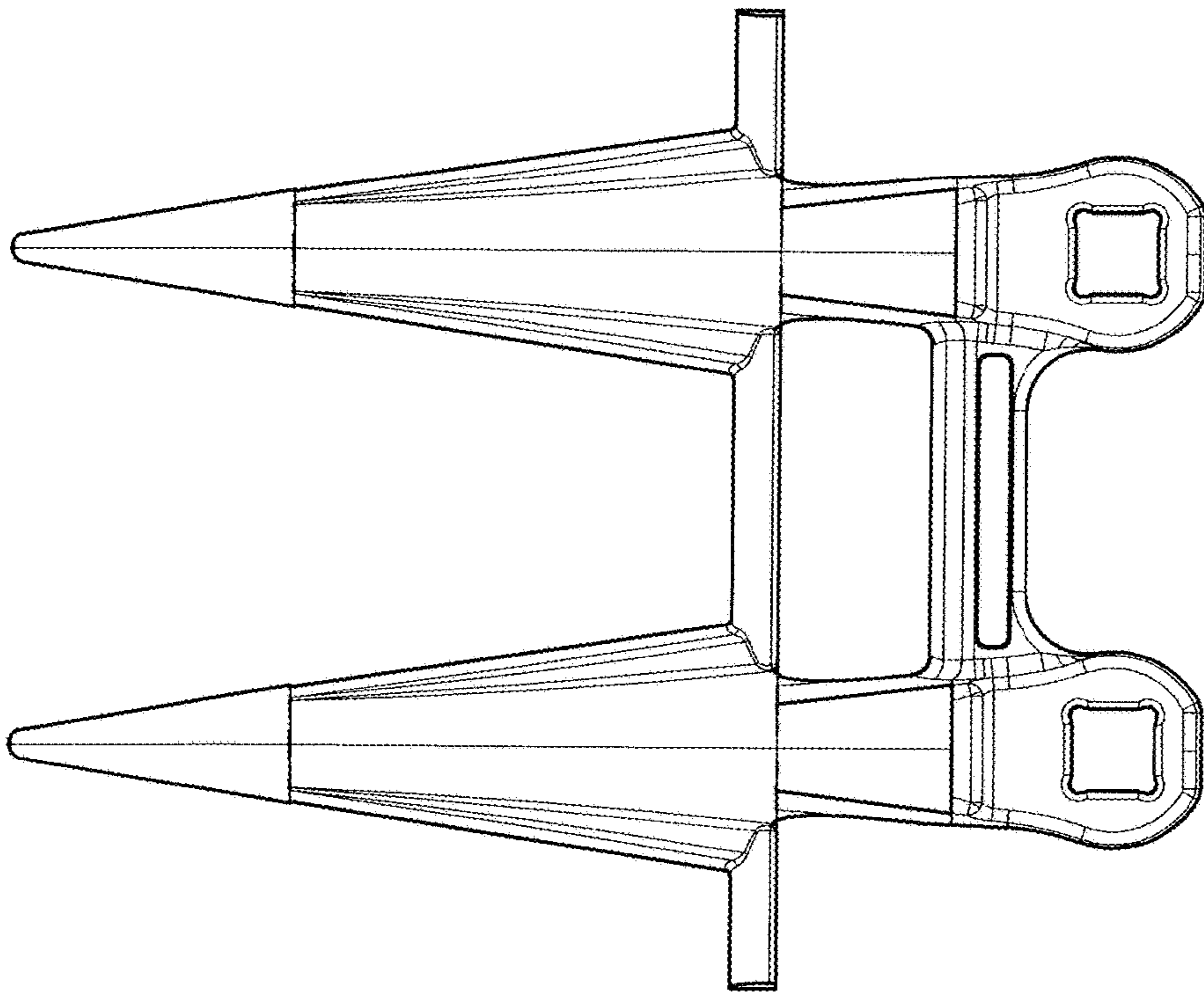
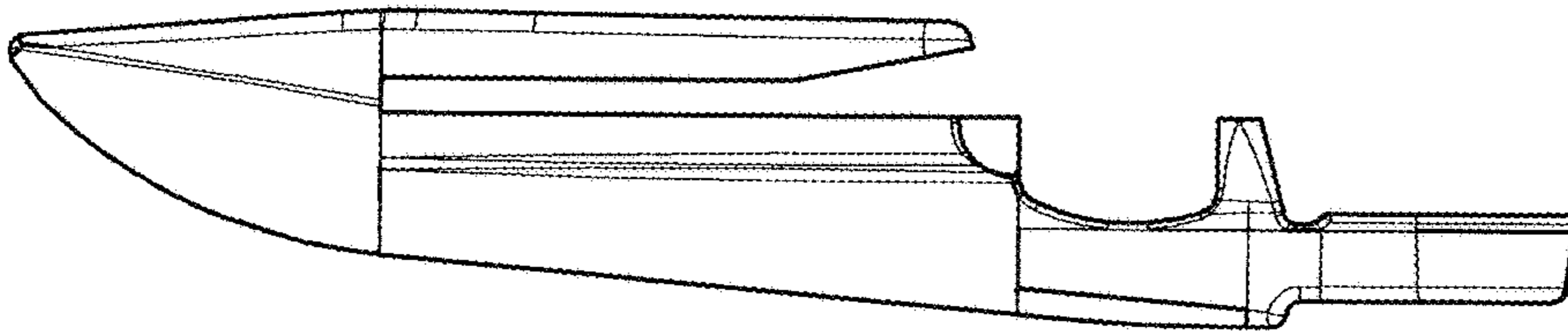


FIG. 7

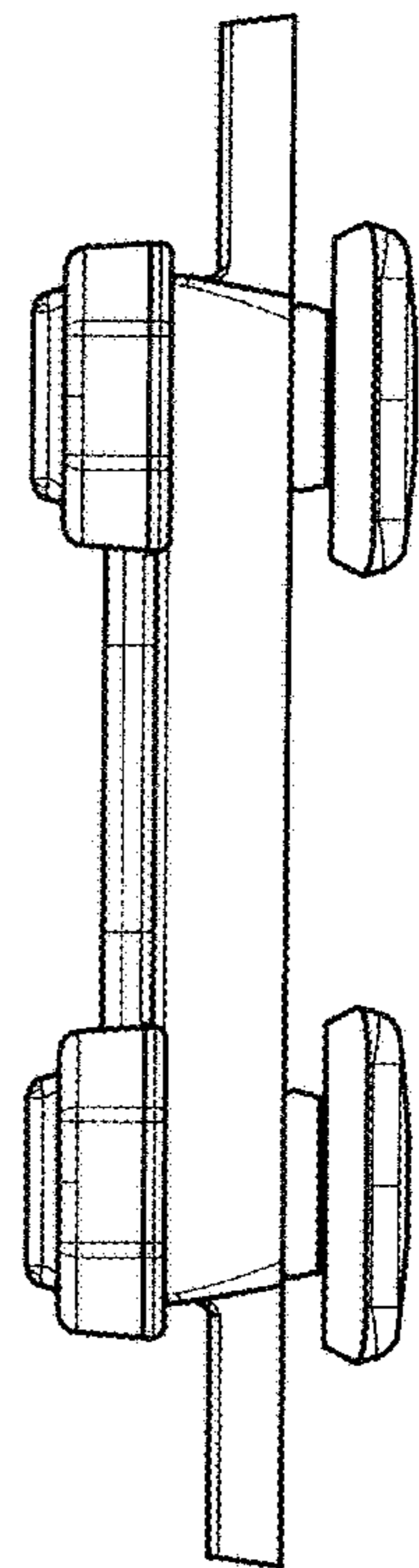


FIG. 5