



US00D881946S

(12) **United States Design Patent** (10) **Patent No.:** **US D881,946 S**
Richey et al. (45) **Date of Patent:** **** Apr. 21, 2020**

(54) **TIRE INFLATOR**
(71) Applicant: **Illinois Tool Works Inc.**, Glenview, IL (US)
(72) Inventors: **Stephen E. Richey**, Atascadero, CA (US); **Carey C. Costle**, Tucson, AZ (US); **Chad Ellman**, Avila Beach, CA (US)
(73) Assignee: **ILLINOIS TOOL WORKS INC.**, Glenview, IL (US)

D744,004 S * 11/2015 Sacchetti D15/7
9,657,730 B2 * 5/2017 Hong F04D 25/082
D800,788 S * 10/2017 Petersen D15/7
D814,524 S * 4/2018 Costle D15/7
D814,525 S * 4/2018 Yang D15/9
D823,346 S * 7/2018 Petersen D15/7
D838,746 S * 1/2019 Gan D15/7

(**) Term: **15 Years**

(21) Appl. No.: **29/654,228**

(22) Filed: **Jun. 21, 2018**

(51) **LOC (12) Cl.** **15-02**

(52) **U.S. Cl.**
USPC **D15/7**

(58) **Field of Classification Search**
USPC D15/7-9; D23/231, 232
CPC F04D 13/06; F04D 29/22; F04D 29/046;
F04D 29/2266; F02M 37/04; F02M
37/14; F04B 53/92; F04B 1/005
See application file for complete search history.

(56) **References Cited**

U.S. PATENT DOCUMENTS

D644,252 S * 8/2011 Kojima D15/9
D669,502 S * 10/2012 Ohm D15/9
D670,313 S * 11/2012 Ohm D15/7
D671,560 S * 11/2012 Ohm D15/7
D695,319 S * 12/2013 Ohm D15/9
8,887,769 B1 * 11/2014 Ohm F04B 35/04
141/38
8,925,594 B2 * 1/2015 Ohm F04B 35/06
141/38
D734,367 S * 7/2015 Jhou D15/9

OTHER PUBLICATIONS

Co-pending Design U.S. Appl. No. 29/654,169, "Tire Inflator," filed Jun. 21, 2018.

* cited by examiner

Primary Examiner — Mitchell I. Siegel

(74) *Attorney, Agent, or Firm* — Pauley Erickson & Kottis

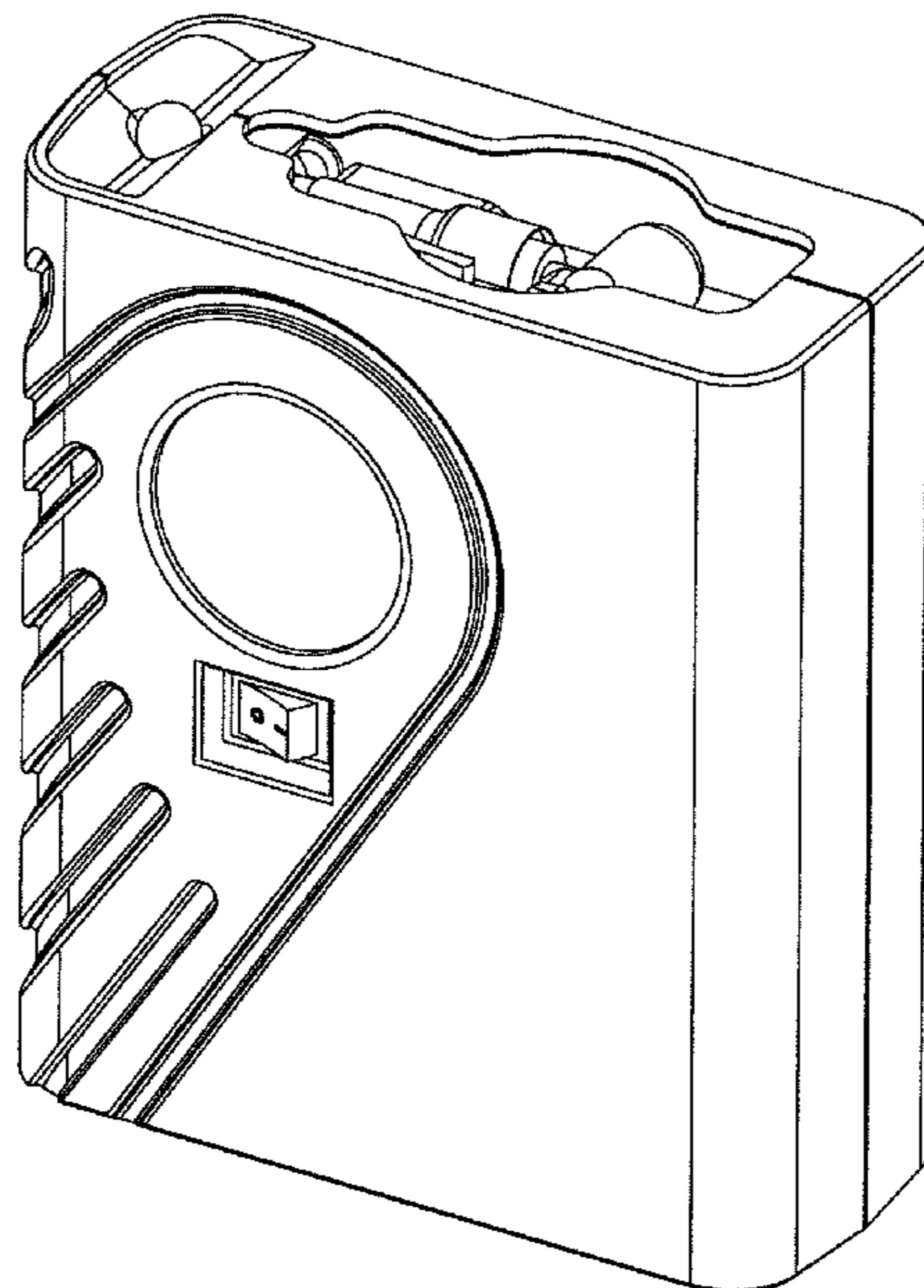
(57) **CLAIM**

The ornamental design for a tire inflator, as shown and described.

DESCRIPTION

FIG. 1 is a perspective view of the tire inflator, according to one embodiment of this invention; FIG. 2 is a front view of the tire inflator shown in FIG. 1; FIG. 3 is a rear view of the tire inflator shown in FIG. 1; FIG. 4 is a side view of the tire inflator shown FIG. 1; FIG. 5 is a side view, opposite the side view shown in FIG. 4, of the tire inflator shown in FIG. 1; FIG. 6 is a top, view of the tire inflator shown in FIG. 1; and, FIG. 7 is a bottom view of tire inflator shown in FIG. 1. The broken lines are included for the purpose of illustrating portions of the tire inflator that form no part of the claimed design.

1 Claim, 7 Drawing Sheets



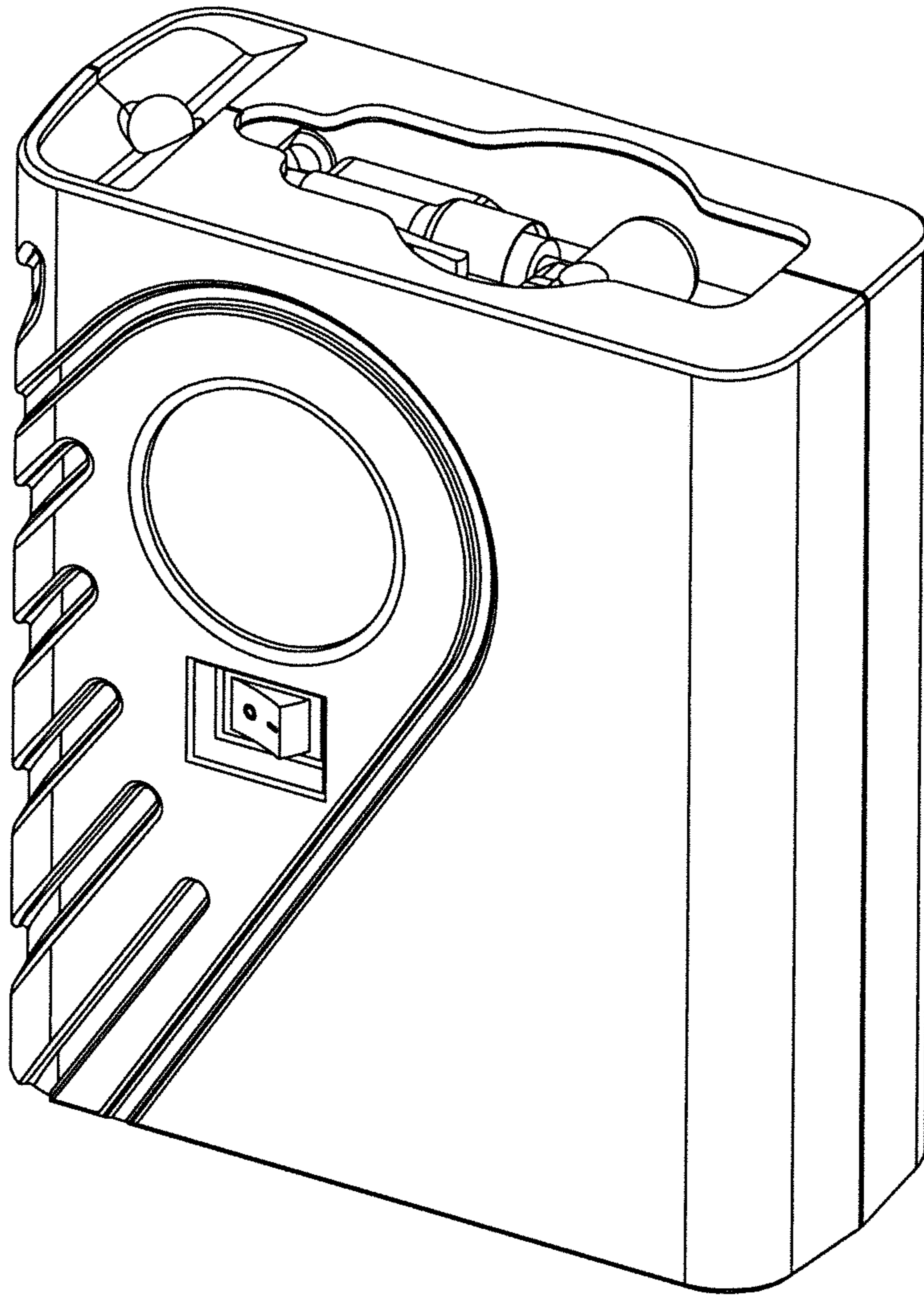


FIG. 1

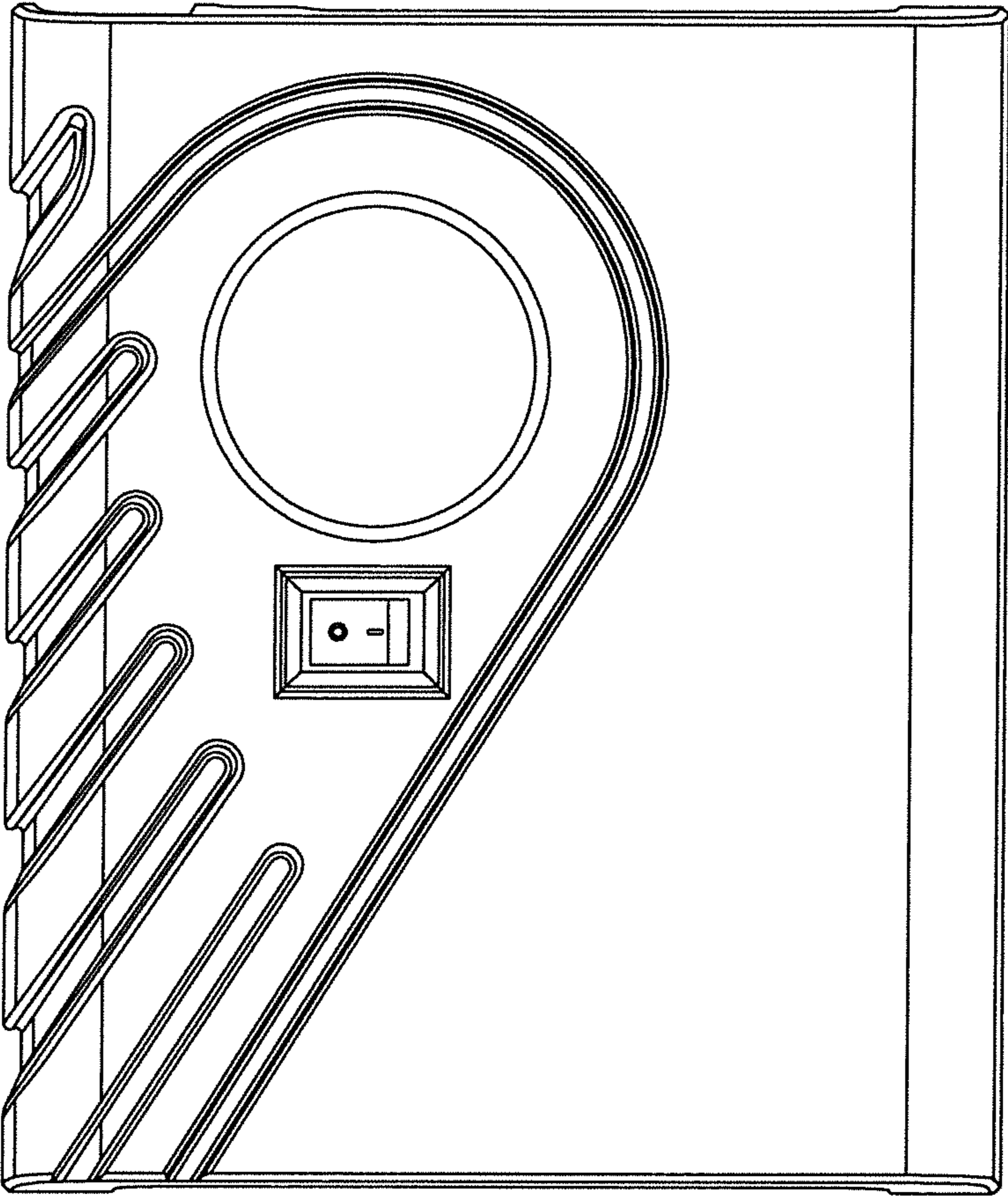


FIG.2

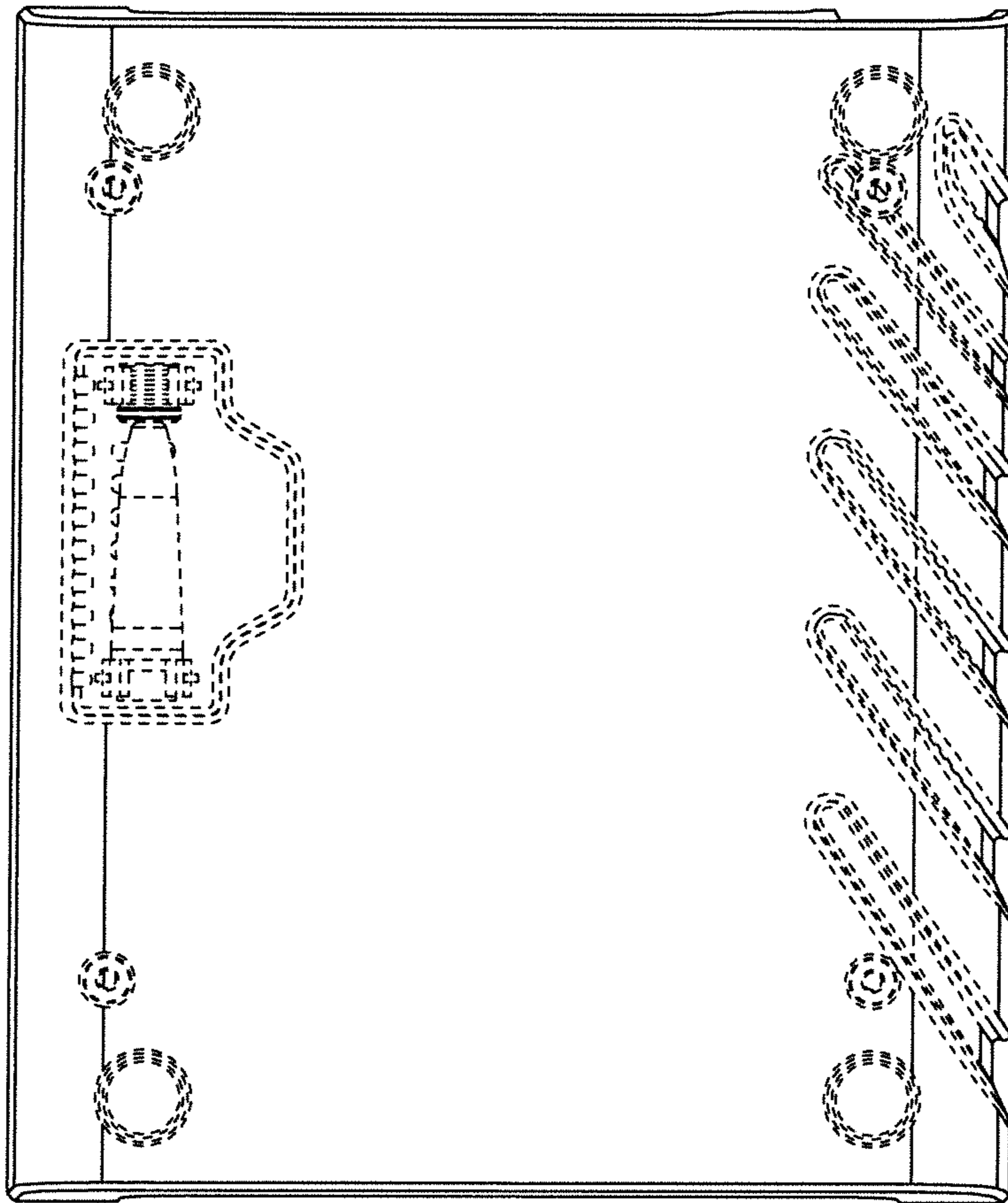


FIG. 3

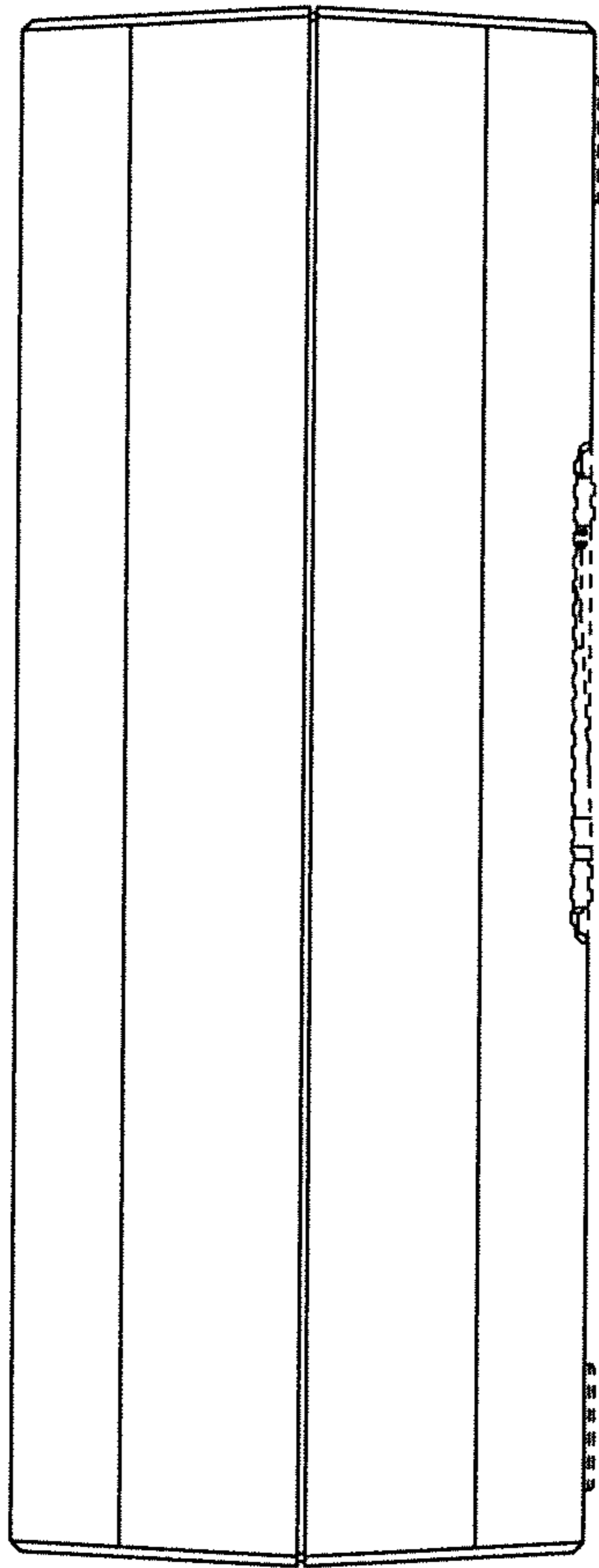


FIG.4

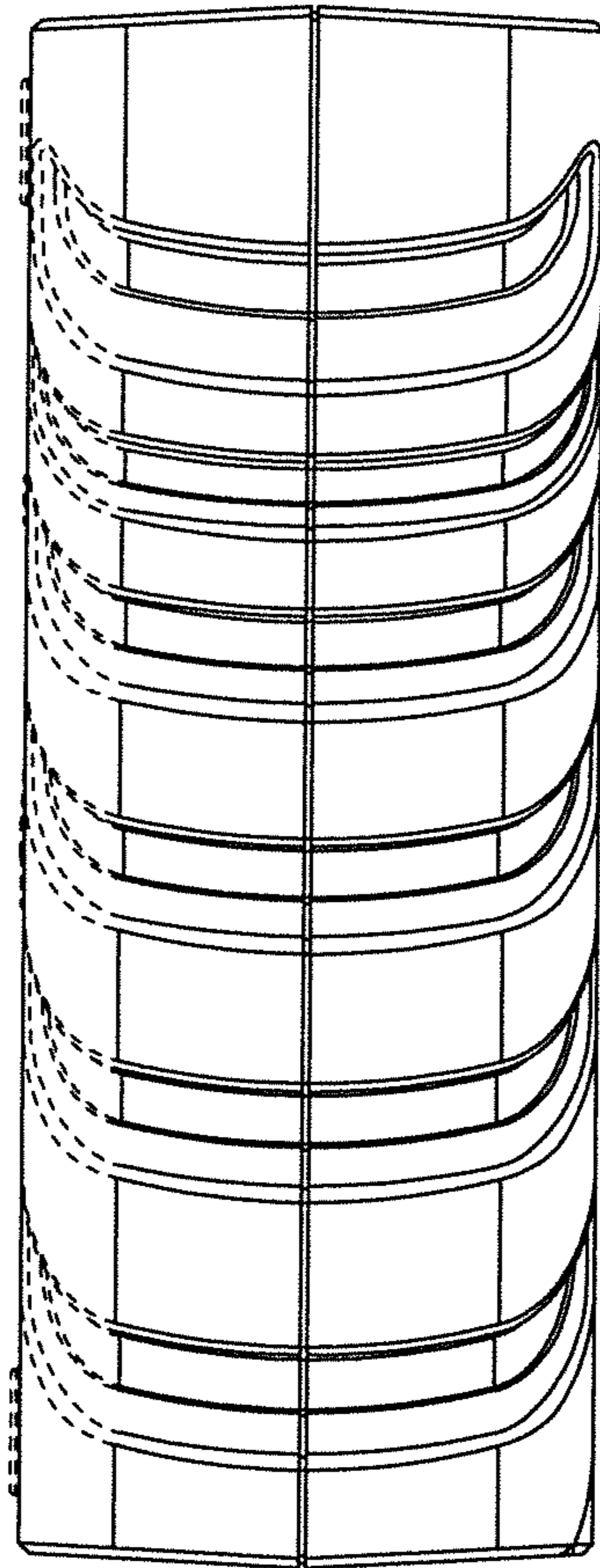


FIG. 5

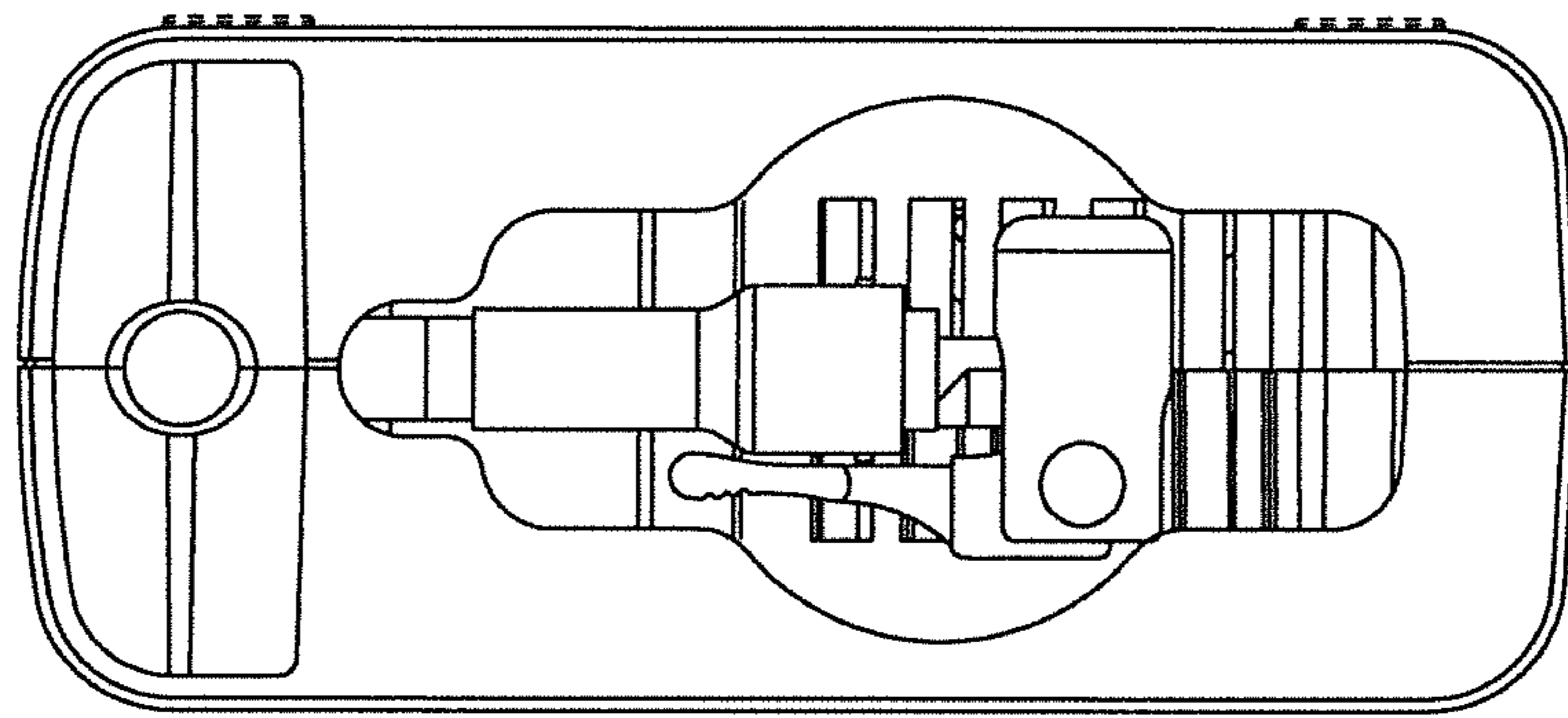


FIG. 6

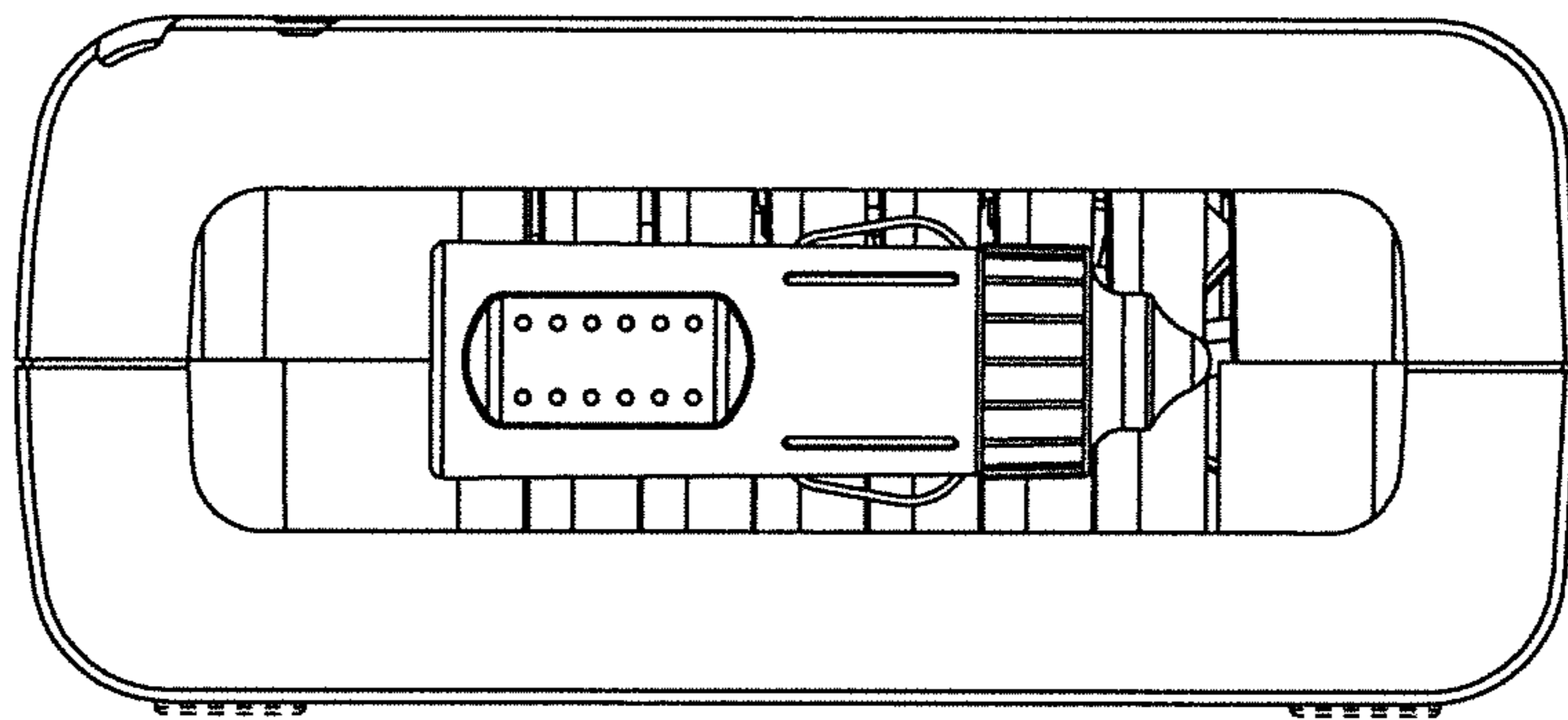


FIG. 7