



US00D881945S

(12) **United States Design Patent**
Richey et al.

(10) **Patent No.:** **US D881,945 S**
(45) **Date of Patent:** **** Apr. 21, 2020**

(54) **TIRE INFLATOR**

(71) Applicant: **Illinois Tool Works Inc.**, Glenview, IL
(US)

(72) Inventors: **Stephen E. Richey**, Atascadero, CA
(US); **Carey C. Costle**, Tucson, AZ
(US); **Chad Ellman**, Avila Beach, CA
(US)

(73) Assignee: **ILLINOIS TOOL WORKS INC.**,
Glenview, IL (US)

(**) Term: **15 Years**

(21) Appl. No.: **29/654,169**

(22) Filed: **Jun. 21, 2018**

(51) **LOC (12) Cl.** **15-02**

(52) **U.S. Cl.**
USPC **D15/7**

(58) **Field of Classification Search**
USPC D15/7-9; D23/231, 232
CPC F04D 13/06; F04D 29/22; F04D 29/046;
F04D 29/2266; F02M 37/04; F02M
37/14; F04B 53/92; F04B 1/005
See application file for complete search history.

(56) **References Cited**

U.S. PATENT DOCUMENTS

D644,252	S	*	8/2011	Kojima	D15/9
D669,502	S	*	10/2012	Ohm	D15/9
D670,313	S	*	11/2012	Ohm	D15/7
D671,560	S	*	11/2012	Ohm	D15/7
D695,319	S	*	12/2013	Ohm	D15/9
8,887,769	B1	*	11/2014	Ohm	F04B 35/04 141/38
8,925,594	B2	*	1/2015	Ohm	F04B 35/06 141/38
D734,367	S	*	7/2015	Jhou	D15/9

D744,004	S	*	11/2015	Sacchetti	D15/7
9,657,730	B2	*	5/2017	Hong	F04D 25/082
D800,788	S	*	10/2017	Petersen	D15/7
D814,524	S	*	4/2018	Costle	D15/7
D814,525	S	*	4/2018	Yang	D15/9
D823,346	S	*	7/2018	Petersen	D15/7
D838,746	S	*	1/2019	Gan	D15/7

OTHER PUBLICATIONS

Co-pending Design U.S. Appl. No. 29/654,228, "Tire Inflator," filed Jun. 21, 2018.

* cited by examiner

Primary Examiner — Mitchell I. Siegel

(74) *Attorney, Agent, or Firm* — Pauley Erickson & Kottis

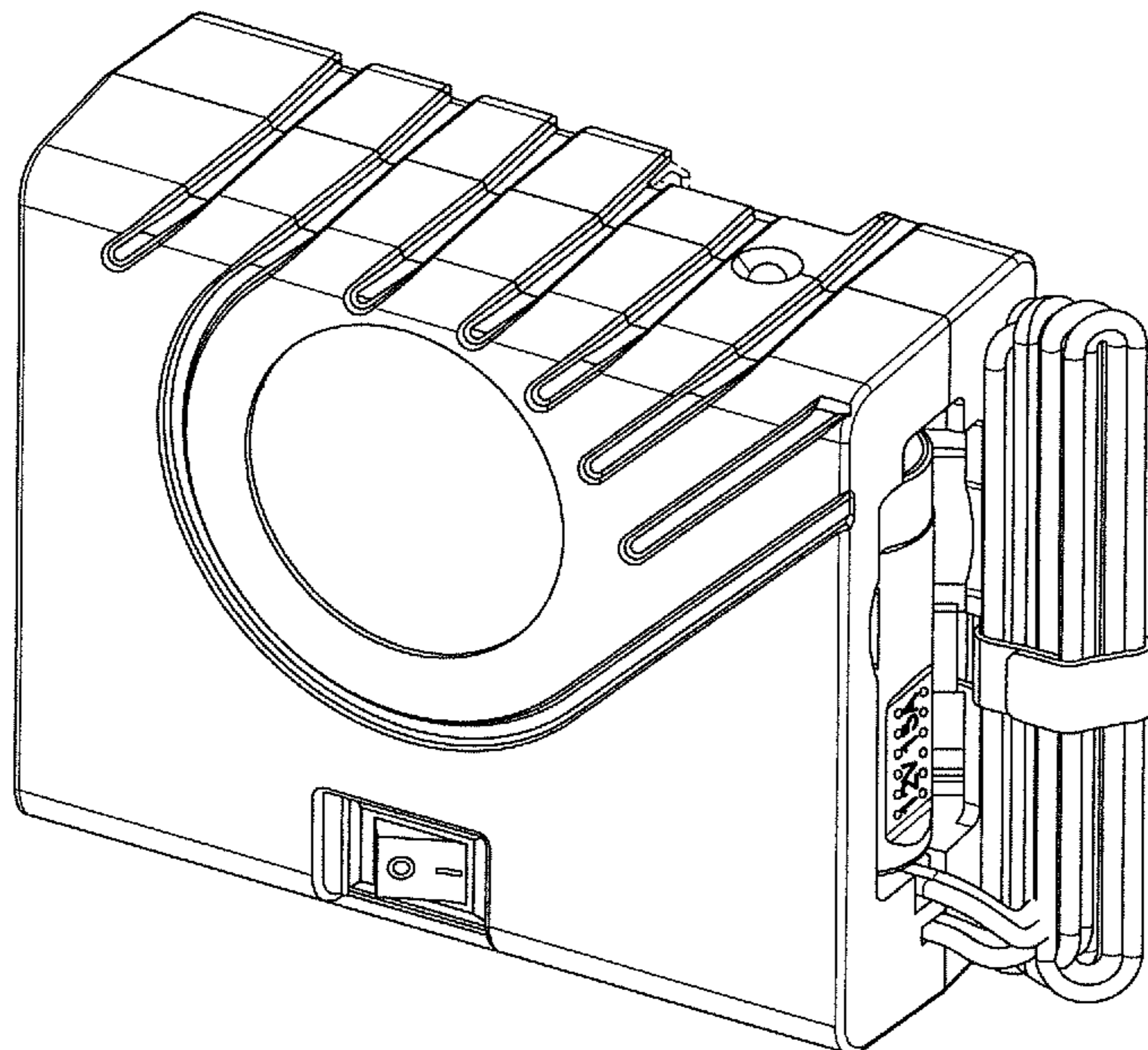
(57) **CLAIM**

The ornamental design for a tire inflator, as shown and described.

DESCRIPTION

FIG. 1 is a perspective view of the tire inflator, according to one embodiment of this invention; FIG. 2 is a front view of the tire inflator shown in FIG. 1; FIG. 3 is a rear view of the tire inflator shown in FIG. 1; FIG. 4 is a side view of the tire inflator shown FIG. 1; FIG. 5 is a side view, opposite the side view shown in FIG. 4, of the tire inflator shown in FIG. 1; FIG. 6 is a top, view of the tire inflator shown in FIG. 1; and, FIG. 7 is a bottom view of tire inflator shown in FIG. 1. The broken lines are included for the purpose of illustrating portions of the tire inflator that form no part of the claimed design.

1 Claim, 7 Drawing Sheets



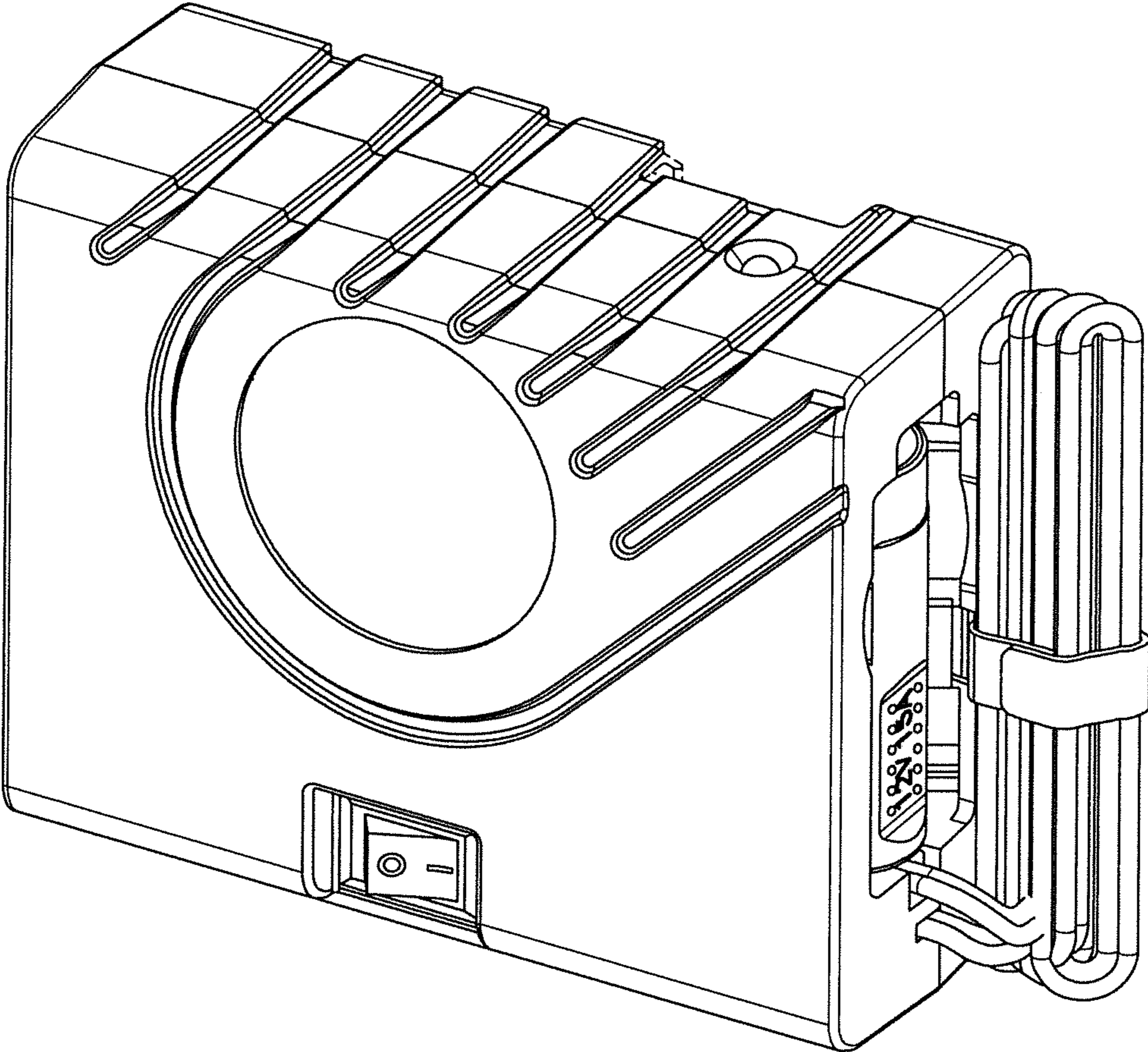


FIG. 1

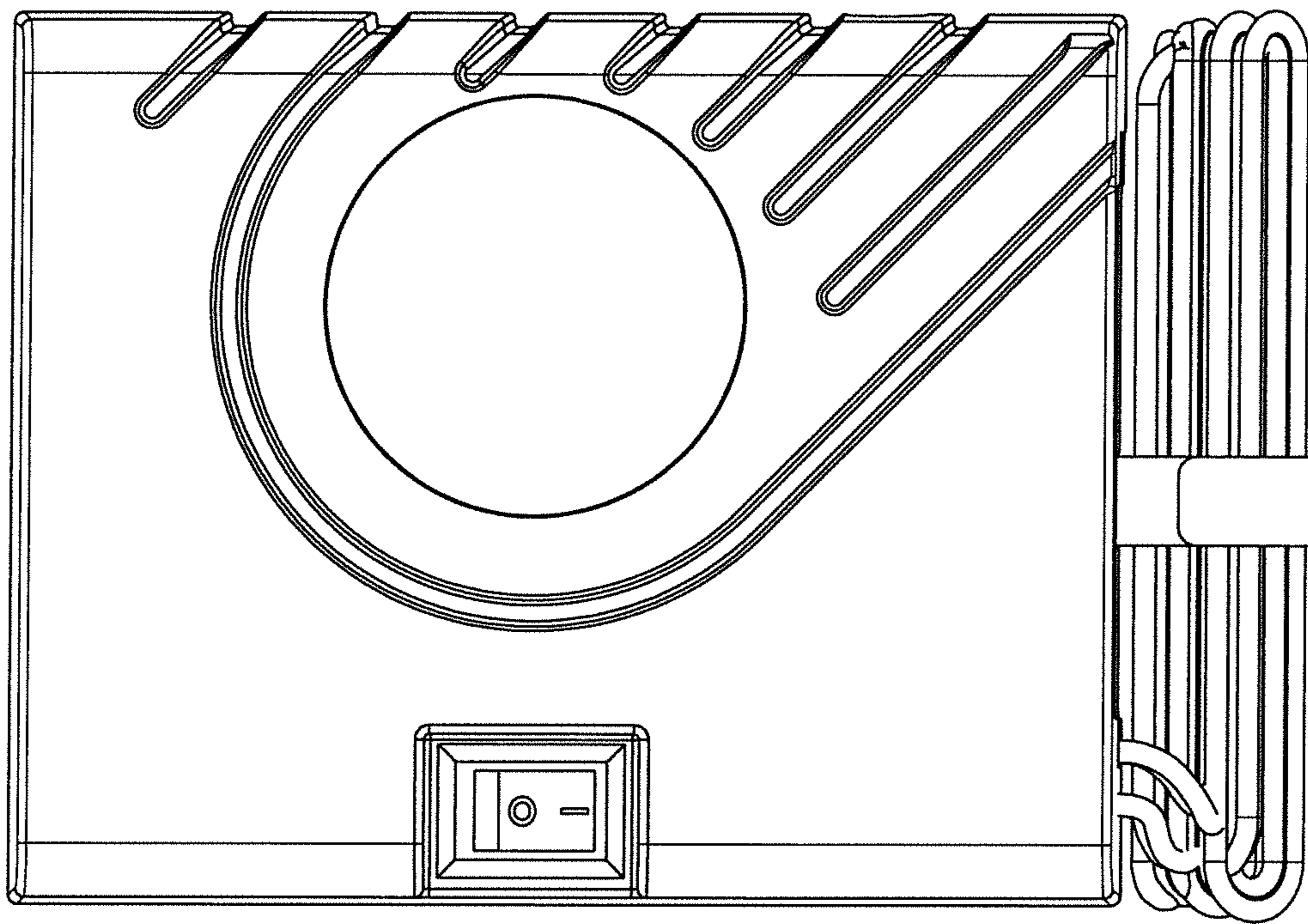


FIG.2

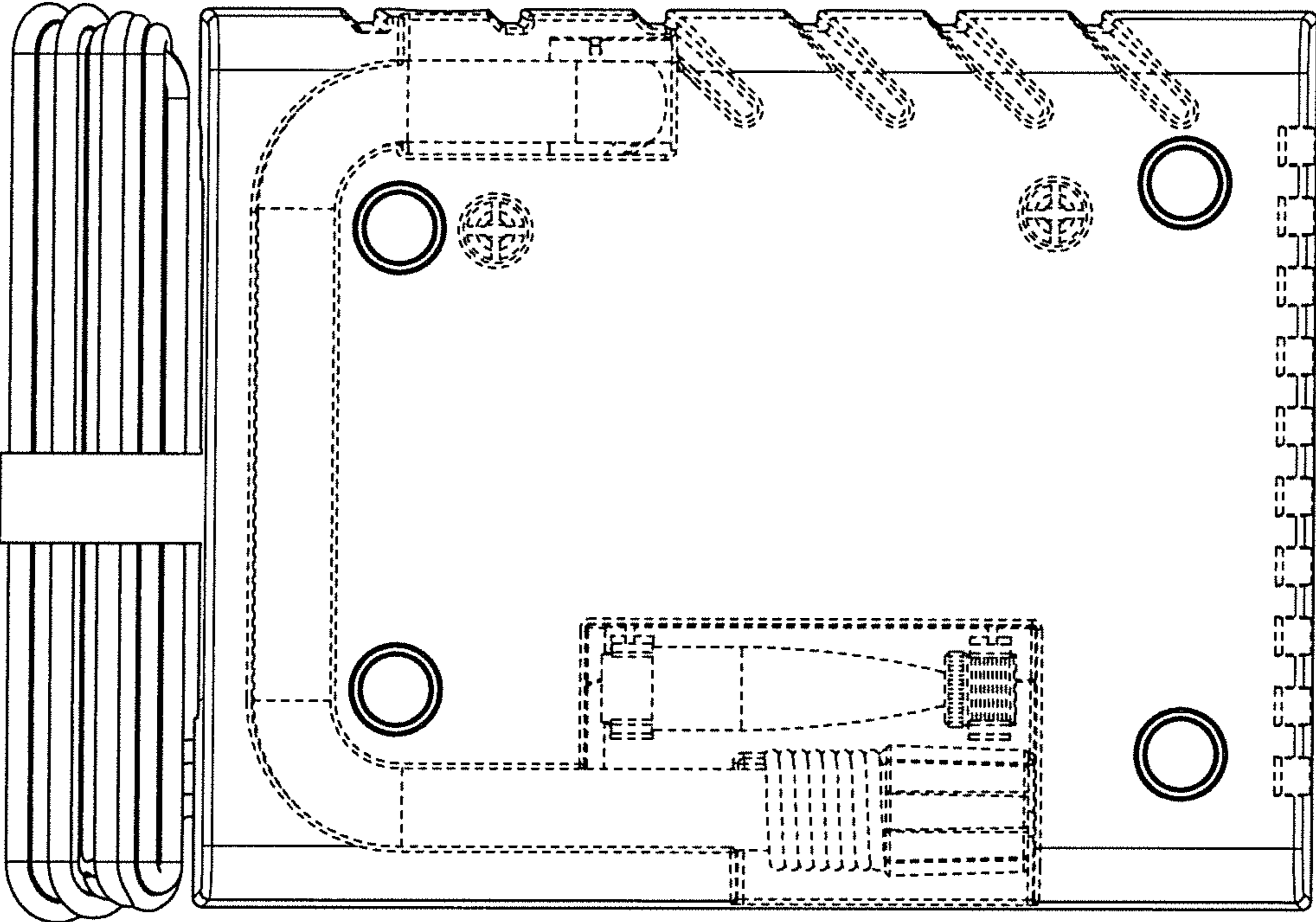


FIG. 3

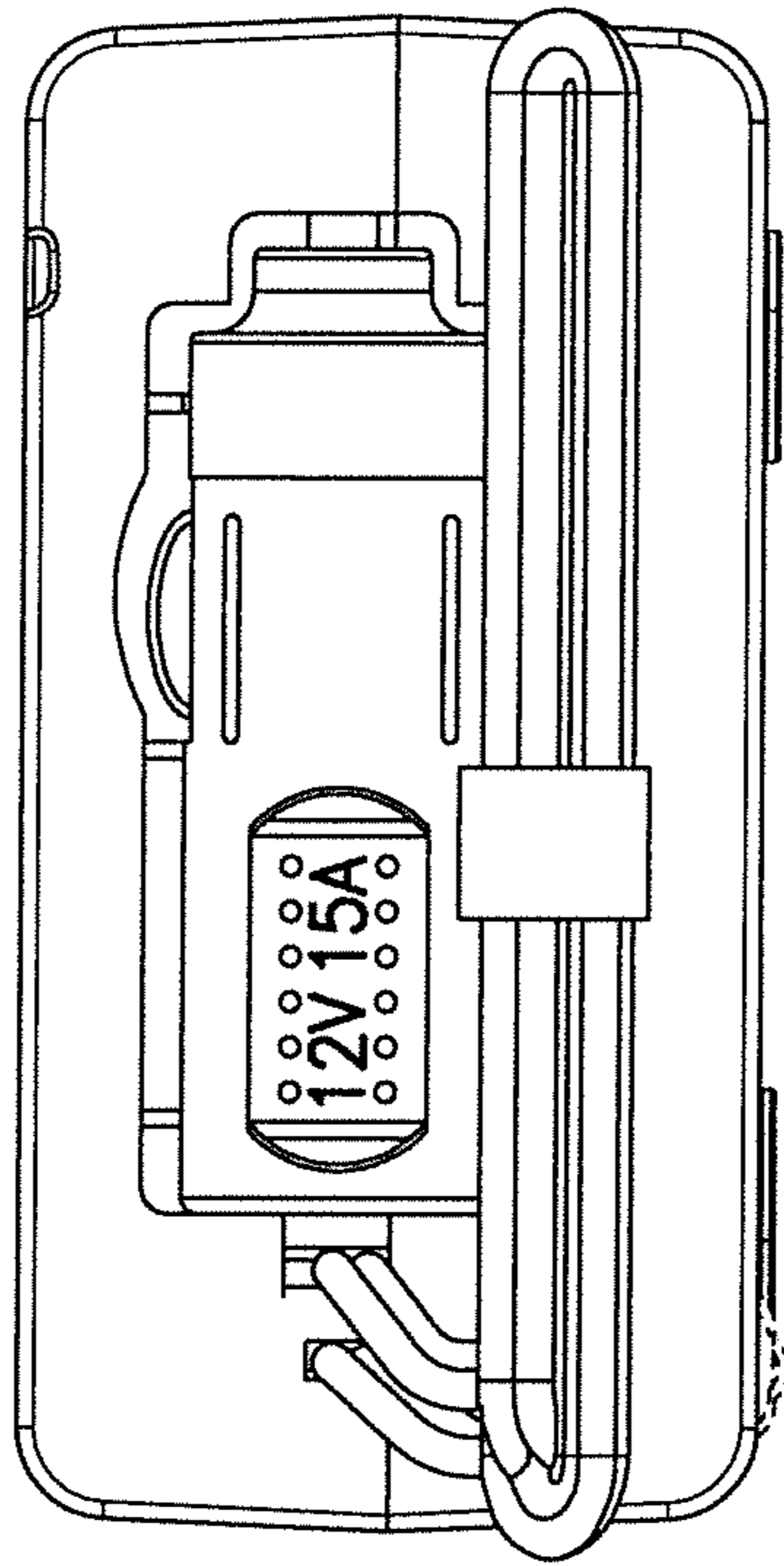


FIG.4

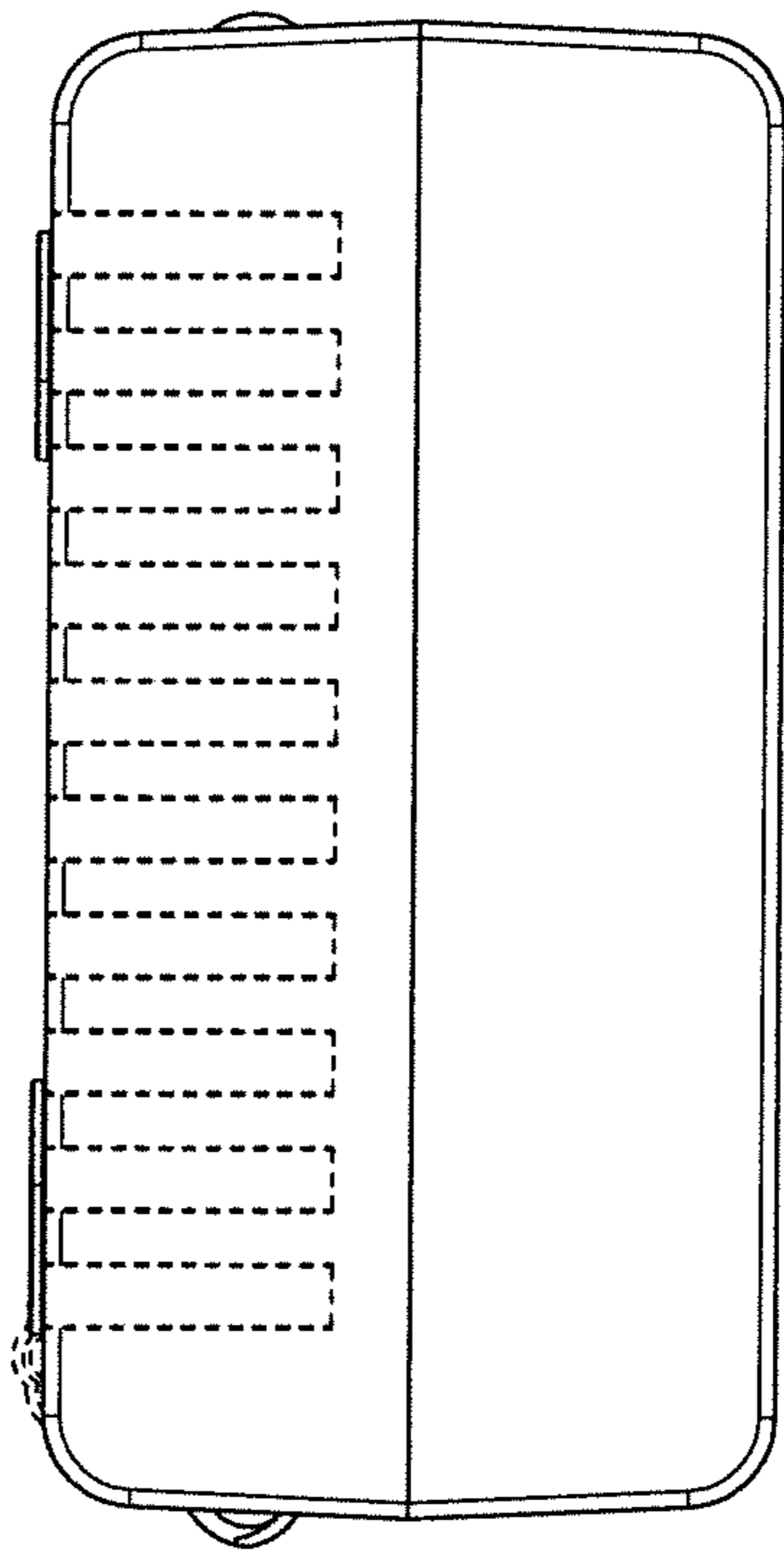


FIG. 5

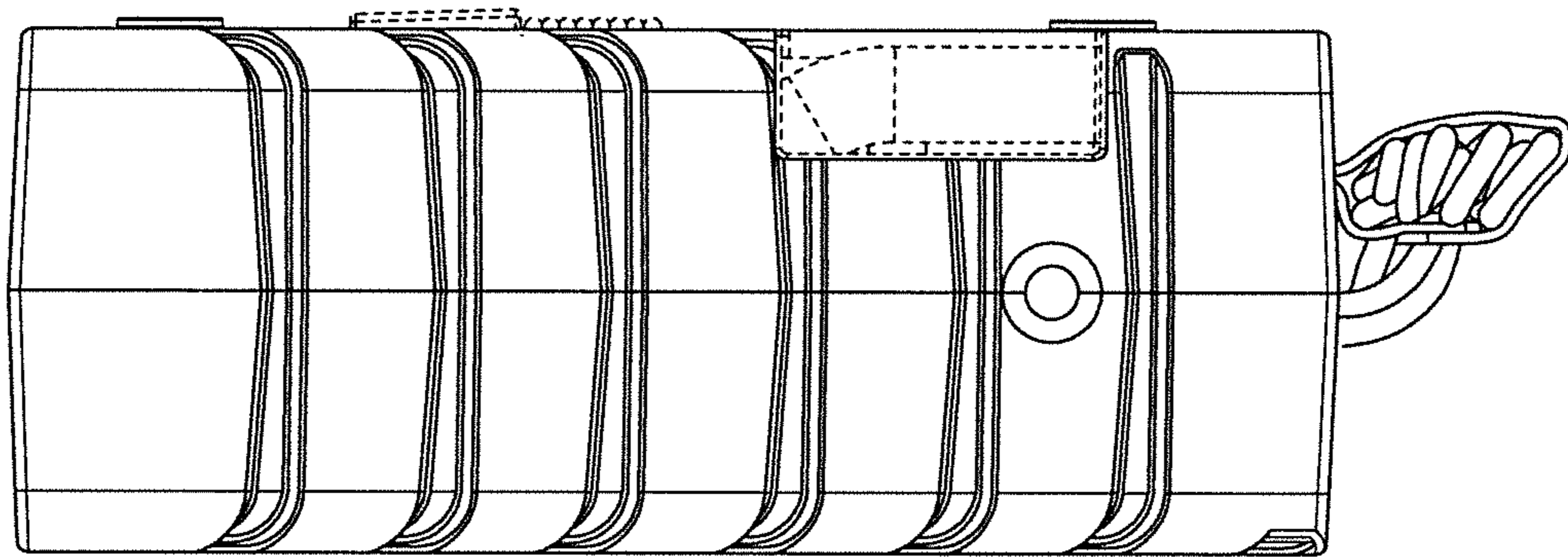


FIG.6

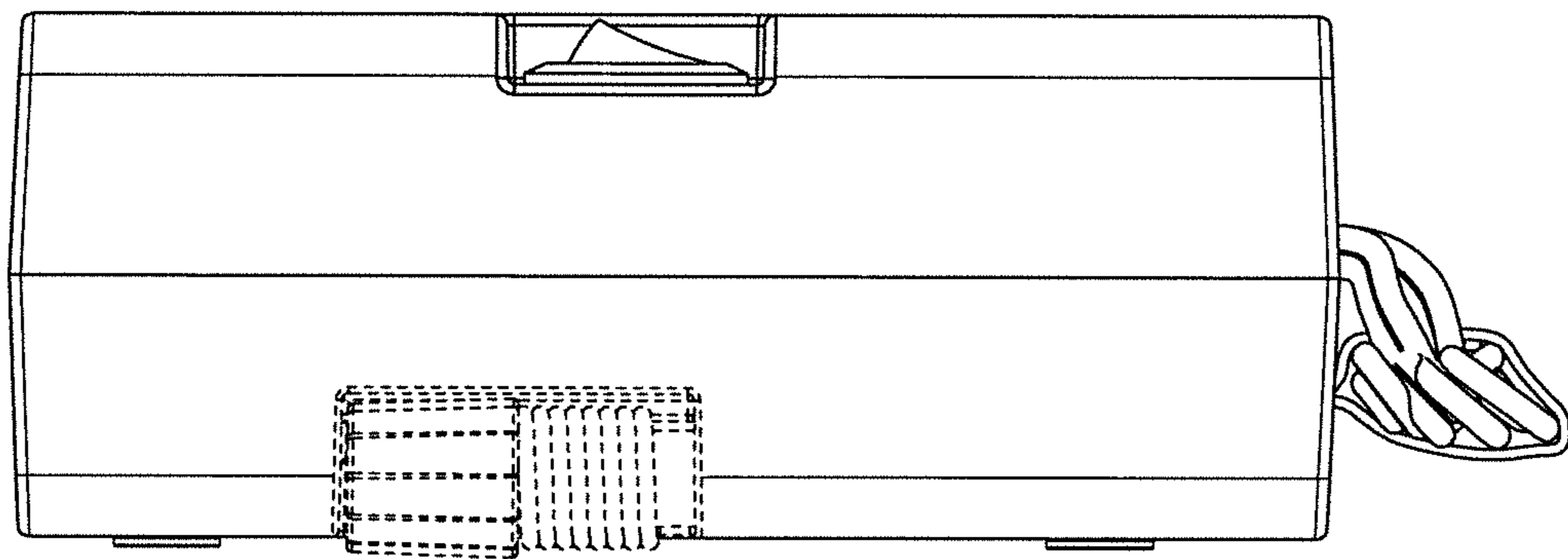


FIG. 7