



US00D881944S

(12) **United States Design Patent**
Chen

(10) **Patent No.:** **US D881,944 S**

(45) **Date of Patent:** **** Apr. 21, 2020**

(54) **KARAOKE MACHINE**

(71) Applicant: **YanBin Chen**, Guangzhou (CN)

(72) Inventor: **YanBin Chen**, Guangzhou (CN)

(**) Term: **15 Years**

(21) Appl. No.: **29/662,124**

(22) Filed: **Sep. 2, 2018**

(51) **LOC (12) Cl.** **14-03**

(52) **U.S. Cl.**
USPC **D14/497; D14/203.2**

(58) **Field of Classification Search**
USPC D14/496–511, 168–172, 188–196,
D14/203.1–203.8, 204, 207, 209.1–216,
D14/217, 299
CPC B60K 35/00; B60K 37/00; B60K 37/02;
B60K 37/06; B60R 11/02; G11B 17/02;
G11B 17/04

See application file for complete search history.

(56) **References Cited**

U.S. PATENT DOCUMENTS

D468,297 S * 1/2003 Ikeda D14/497
D505,960 S * 6/2005 Steele D14/497
D604,744 S * 11/2009 Tseng D14/497

D605,204 S * 12/2009 Liu D14/203.3
D608,762 S * 1/2010 Sheng D14/203.3
D634,754 S * 3/2011 Hao D14/203.3
D740,857 S * 10/2015 Li D14/496
D826,901 S * 8/2018 Bearsch D14/207

* cited by examiner

Primary Examiner — Sandra L Morris

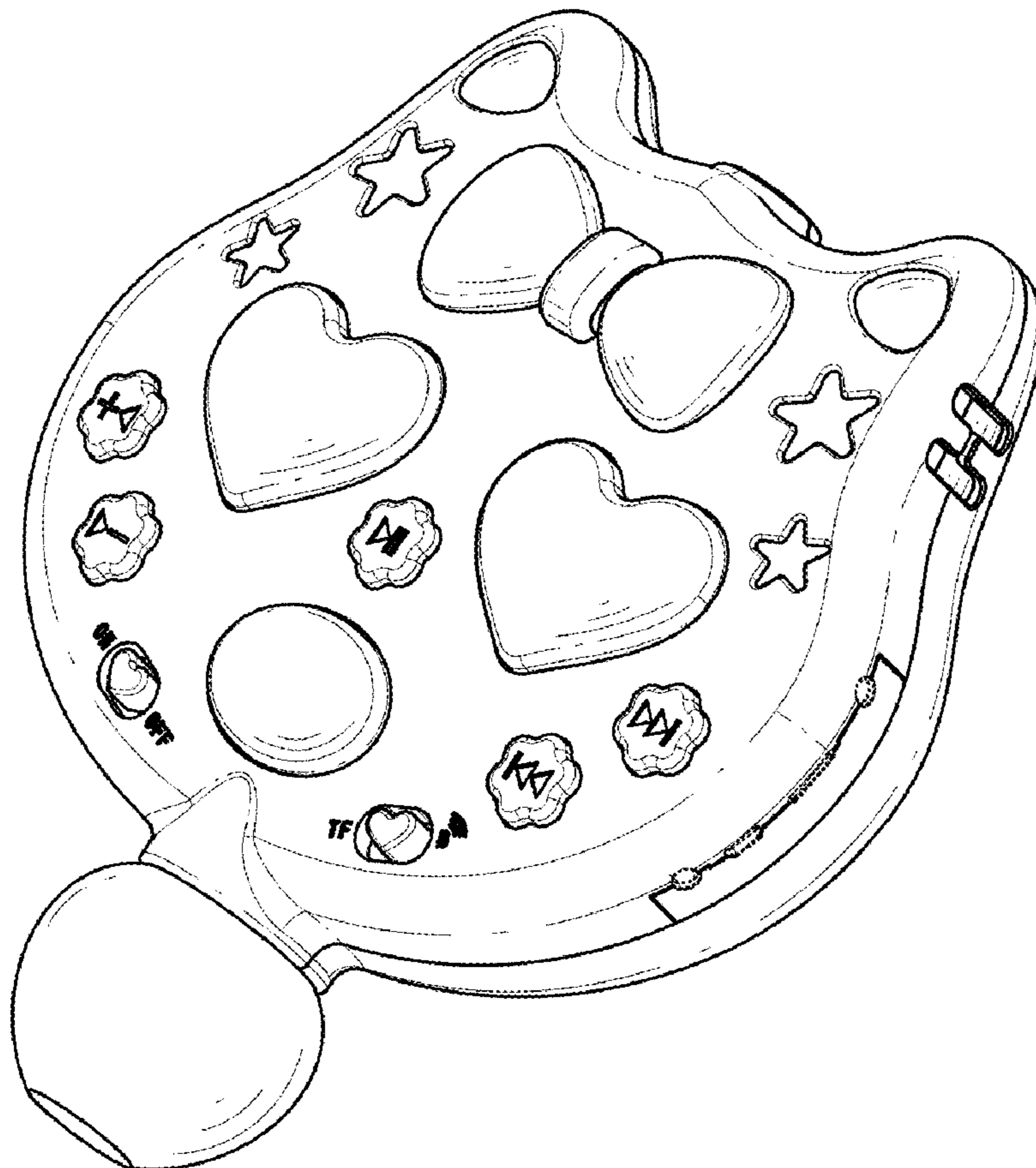
(57) **CLAIM**

The ornamental design for a karaoke machine, as shown and described.

DESCRIPTION

FIG. 1 is a first perspective view of a karaoke machine showing the claimed new design;
FIG. 2 is a second perspective view thereof;
FIG. 3 is a front elevational view thereof;
FIG. 4 is a rear elevational view thereof;
FIG. 5 is a left side elevational view thereof;
FIG. 6 is a right side elevational view thereof;
FIG. 7 is a top plane view thereof;
FIG. 8 is a bottom plane view thereof; and,
FIG. 9 is a usage state view thereof.
The broken lines immediately adjacent to the claimed portions are boundaries, all other broken lines are environmental structures; all the broken lines form no part of the claimed design.

1 Claim, 9 Drawing Sheets



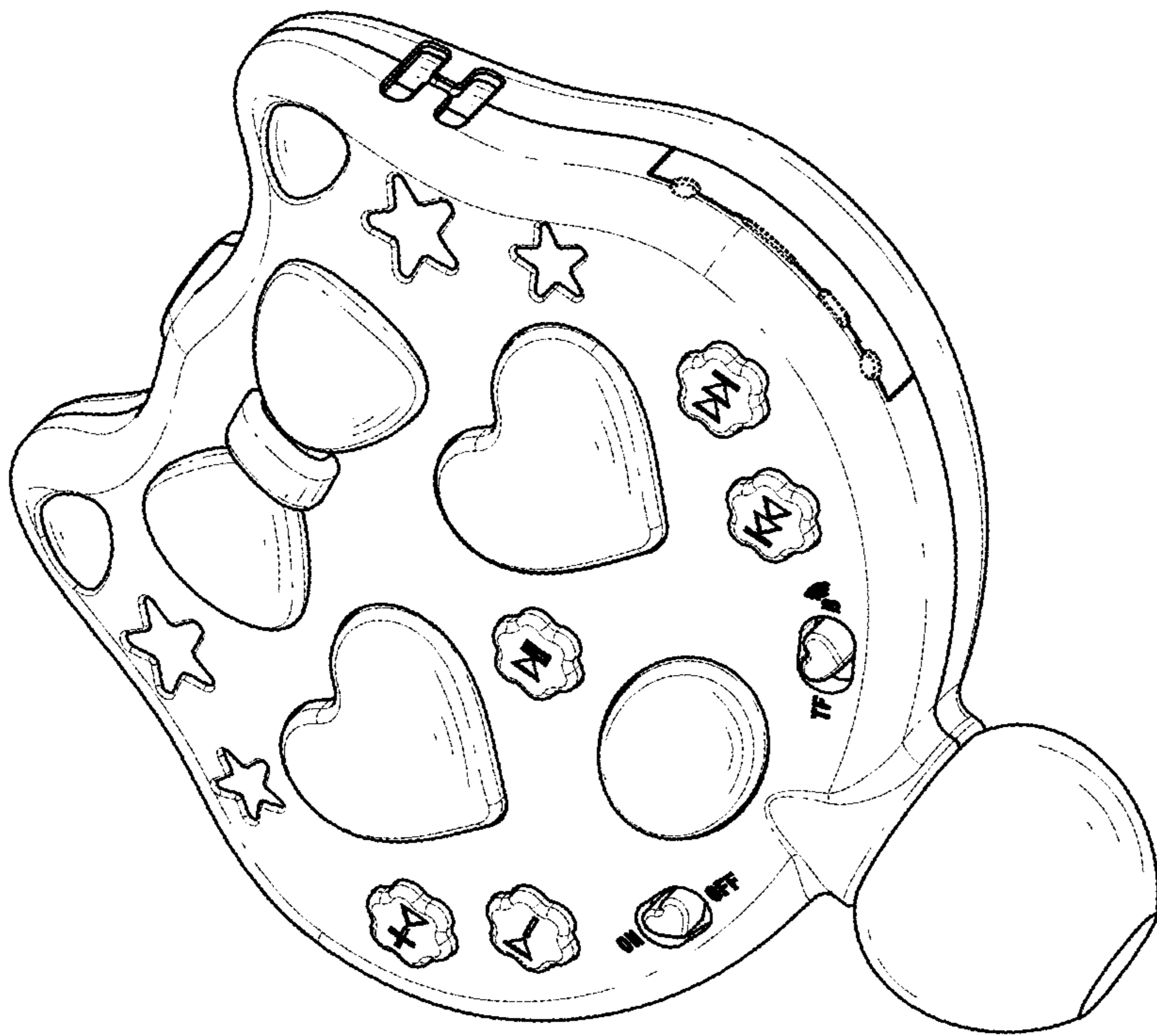


FIG. 1

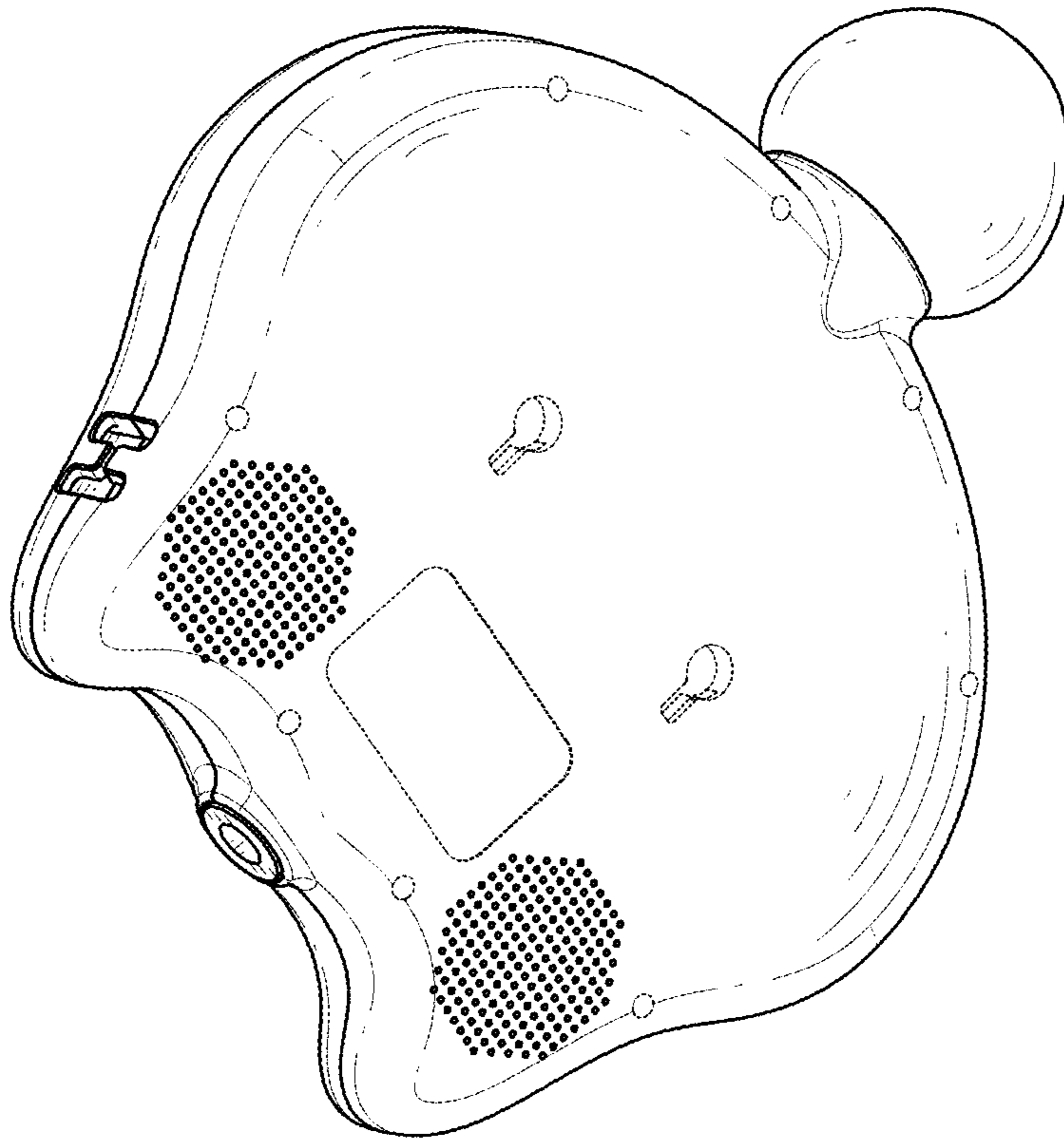


FIG. 2

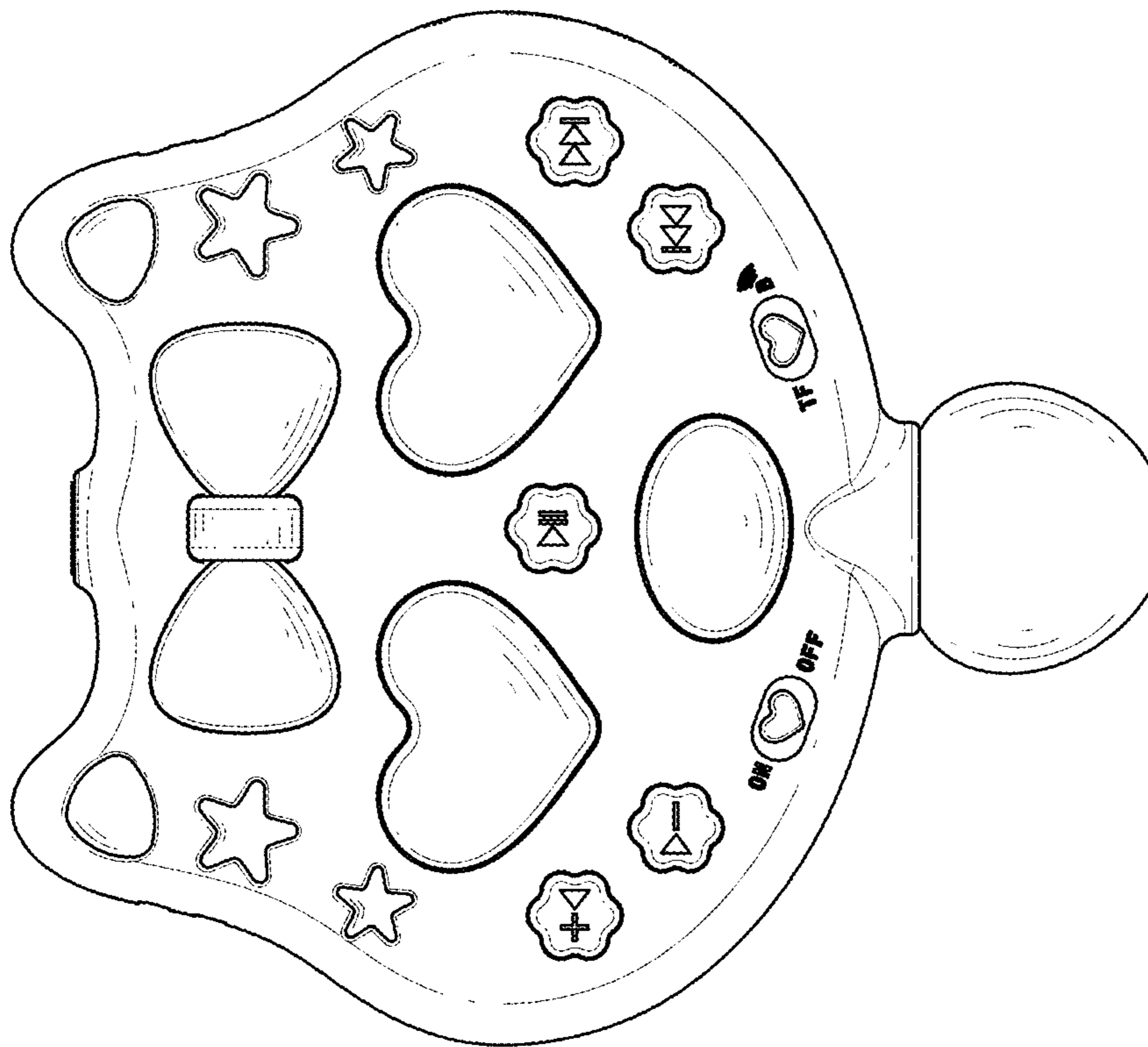


FIG. 3

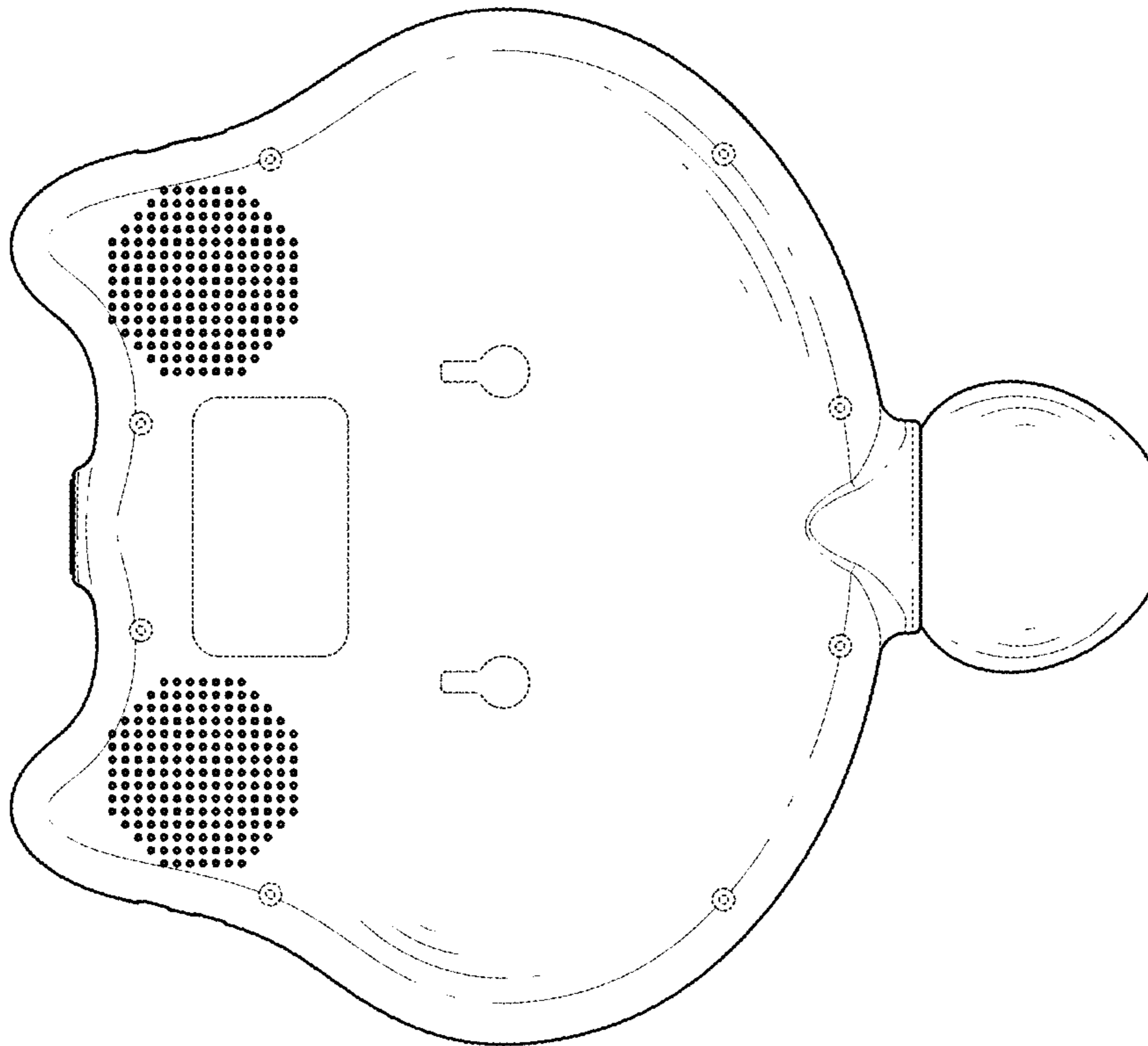


FIG. 4

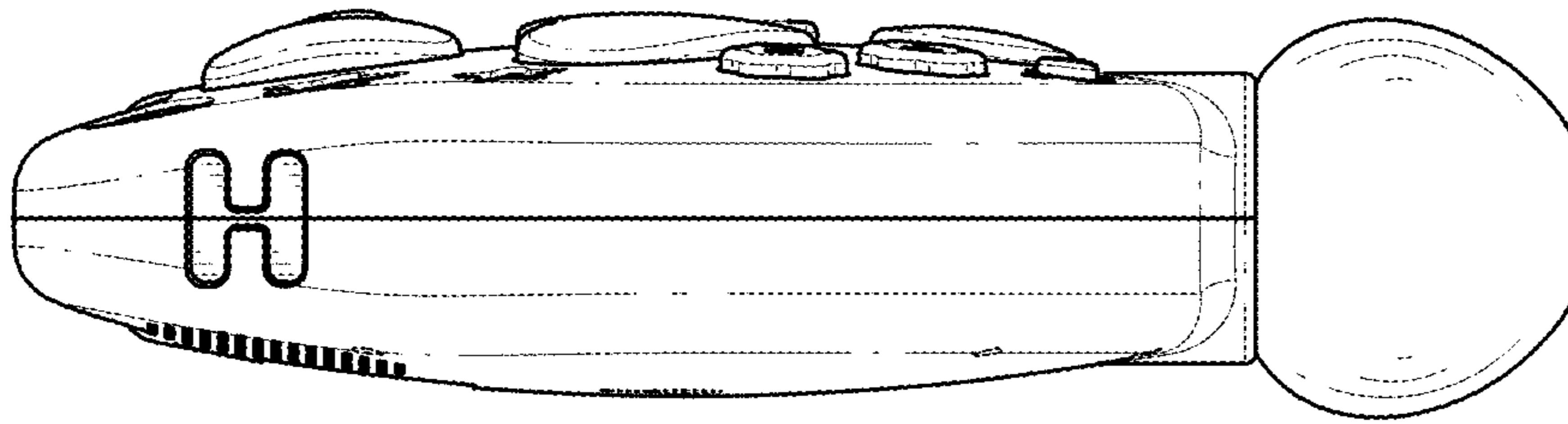


FIG. 5

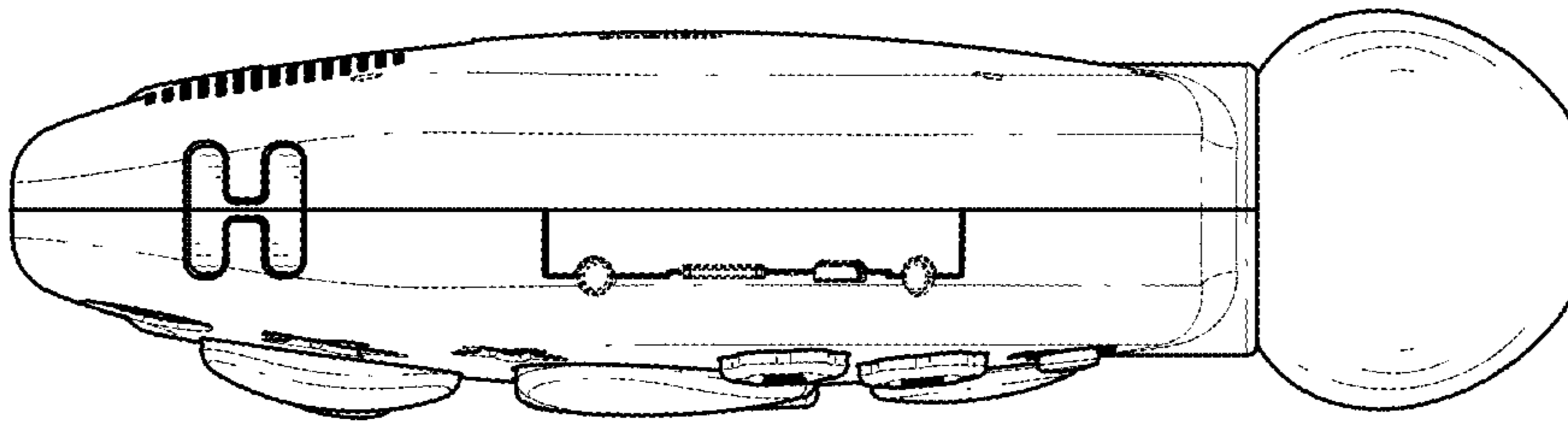


FIG. 6

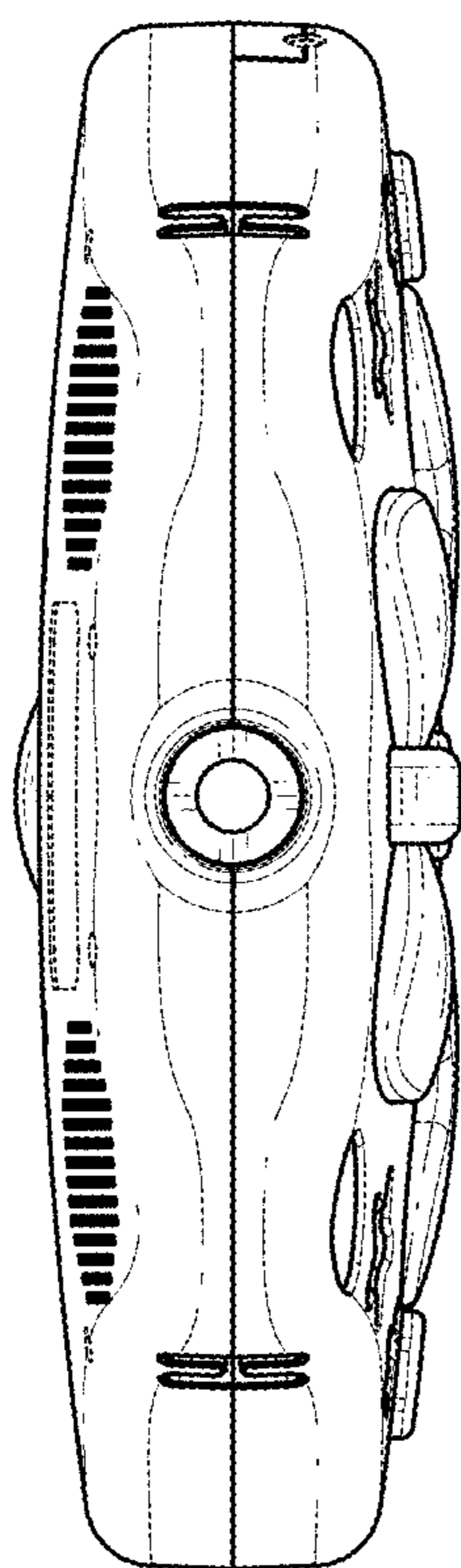


FIG. 7

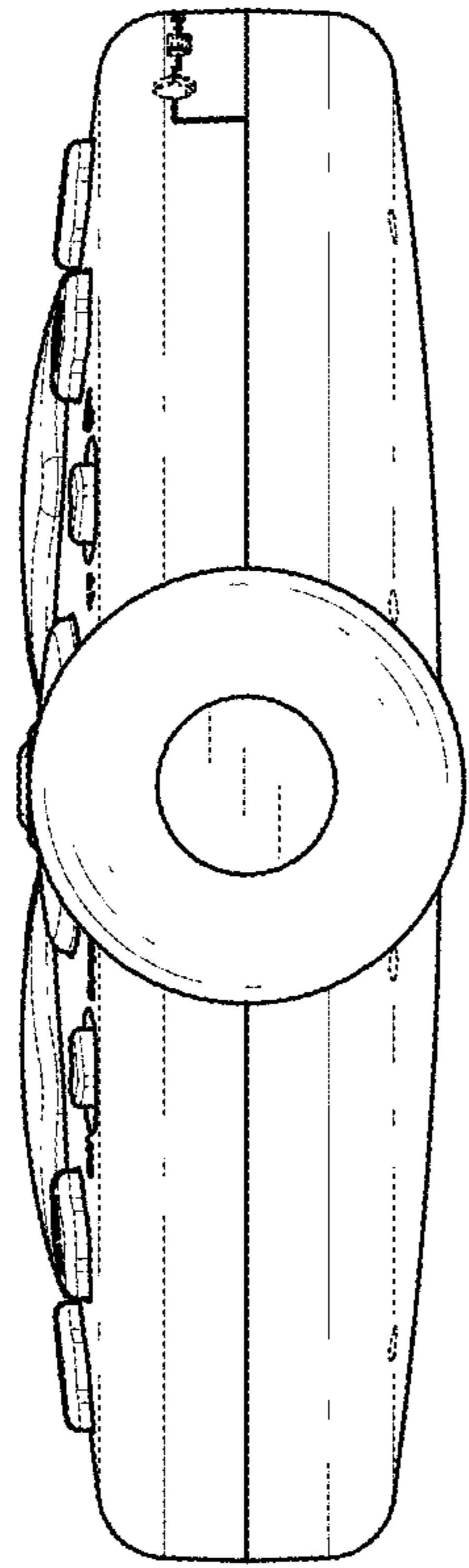


FIG. 8

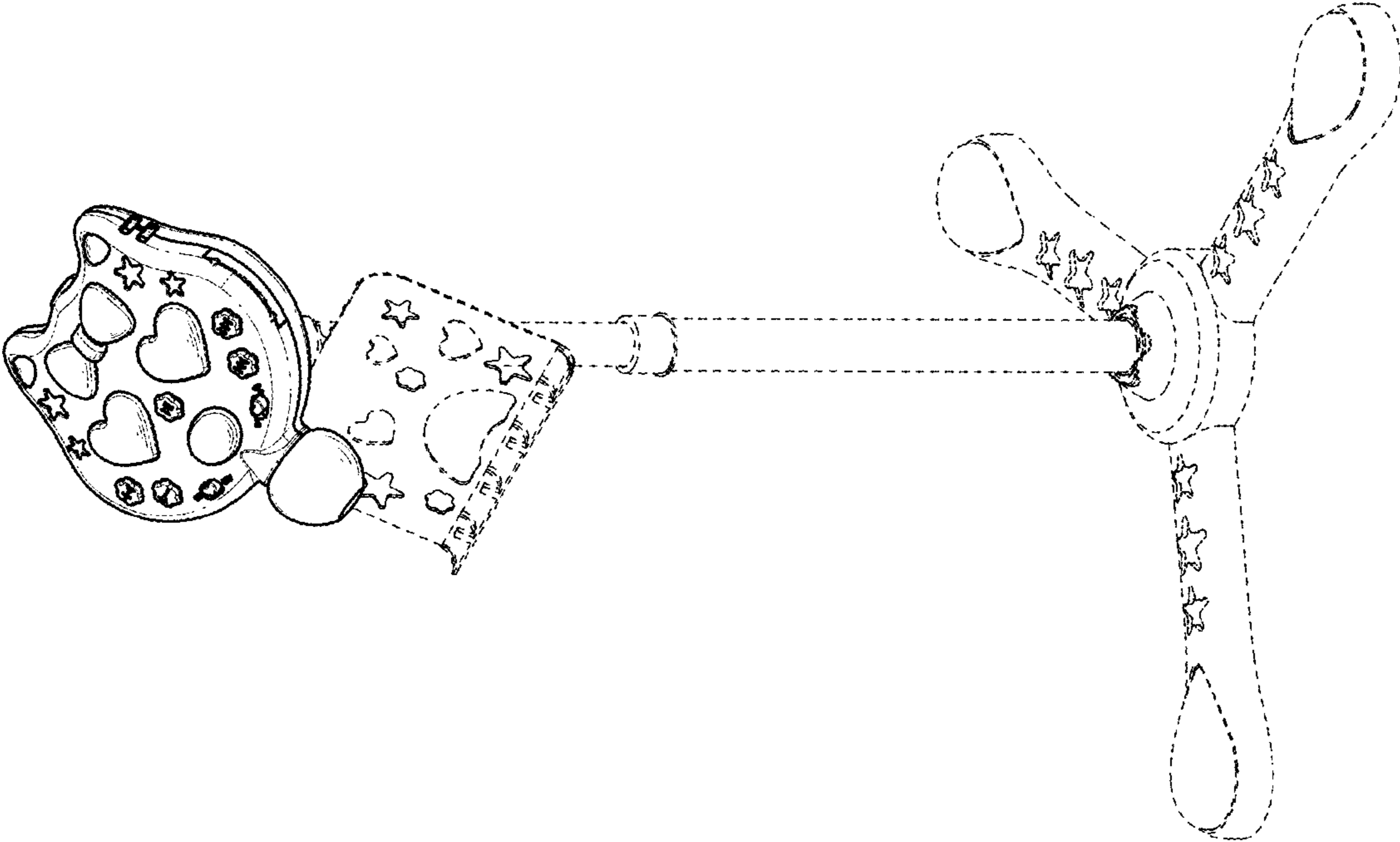


FIG. 9