



US00D881899S

(12) **United States Design Patent**
Li et al.

(10) **Patent No.:** **US D881,899 S**

(45) **Date of Patent:** **** Apr. 21, 2020**

(54) **SUPPORT**

(71) Applicant: **GETAC TECHNOLOGY CORPORATION**, Hsinchu County (TW)

(72) Inventors: **Chun-Hsing Li**, Taipei (TW);
Ssu-Yuan Wu, Taipei (TW)

(73) Assignee: **GETAC TECHNOLOGY CORPORATION**, Hsinchu County (TW)

(**) Term: **15 Years**

(21) Appl. No.: **29/680,866**

(22) Filed: **Feb. 20, 2019**

(51) **LOC (12) Cl.** **08-07**

(52) **U.S. Cl.**
USPC **D14/447**

(58) **Field of Classification Search**
USPC D14/447, 432, 434, 439, 440, 451, 452,
D14/457, 239, 253; D8/363, 373, 380;
D6/406.3, 406.4, 406.5, 406.6; D12/415
CPC A47B 21/04; A47B 2097/006; A47B
2097/005; A47B 2023/049; A45C
2011/002; A45C 2011/003; F16M
2200/00; F16M 13/00

See application file for complete search history.

(56) **References Cited**

U.S. PATENT DOCUMENTS

D694,219 S * 11/2013 Parraga Ginneno D14/217
D696,672 S * 12/2013 Brittain D14/447
D739,410 S * 9/2015 Chun D14/447

D748,099 S * 1/2016 Heid D14/447
D748,935 S * 2/2016 Jiang D14/235
D769,861 S * 10/2016 Sun D14/253
D780,743 S * 3/2017 Chun D14/253
D784,997 S * 4/2017 Cheng D14/447
D825,574 S * 8/2018 Davies D14/447
D832,248 S * 10/2018 Sukphist D14/253
D845,309 S * 4/2019 Goldstein D14/447
D861,668 S * 10/2019 Ho D14/253
D867,355 S * 11/2019 Chun D14/253

* cited by examiner

Primary Examiner — Angela J Lee

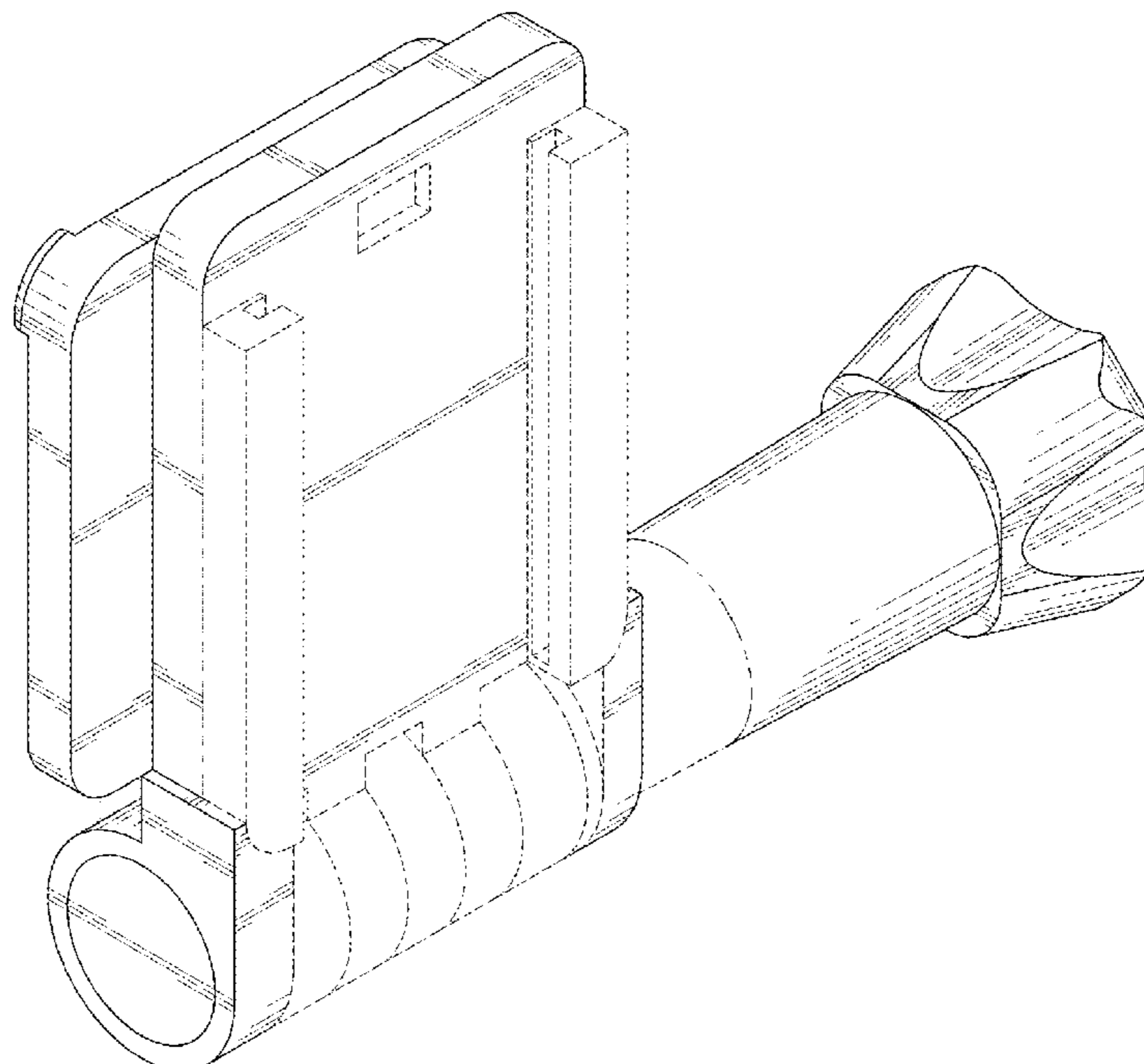
(57) **CLAIM**

The ornamental design for a “support”, as shown and described.

DESCRIPTION

FIG. 1 is a top front left perspective view of a support showing our new design;
FIG. 2 is a top front right perspective view thereof;
FIG. 3 is a bottom rear left perspective view thereof;
FIG. 4 is a bottom rear right perspective view thereof;
FIG. 5 is a front view thereof;
FIG. 6 is a rear view thereof;
FIG. 7 is a left side view thereof;
FIG. 8 is a right side view thereof;
FIG. 9 is a top view thereof; and
FIG. 10 is a bottom view thereof; and,
FIG. 11 is a top front left perspective view thereof with a portable electronic device.
The dashed broken lines illustrate environmental structure and form no part of the claimed design.
The dot-dash broken lines represent a boundary that forms no part of the claimed design.

1 Claim, 11 Drawing Sheets



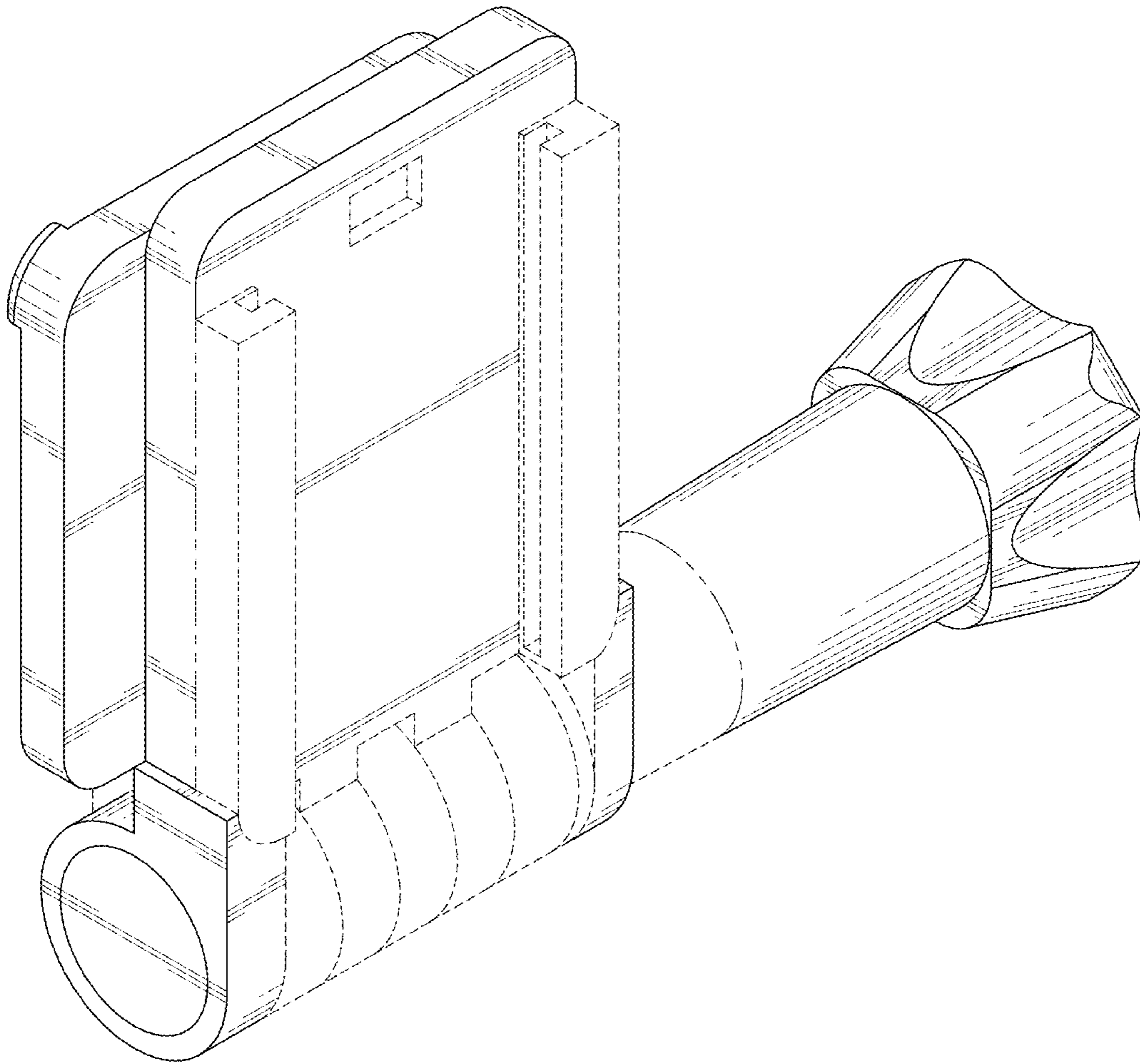


FIG. 1

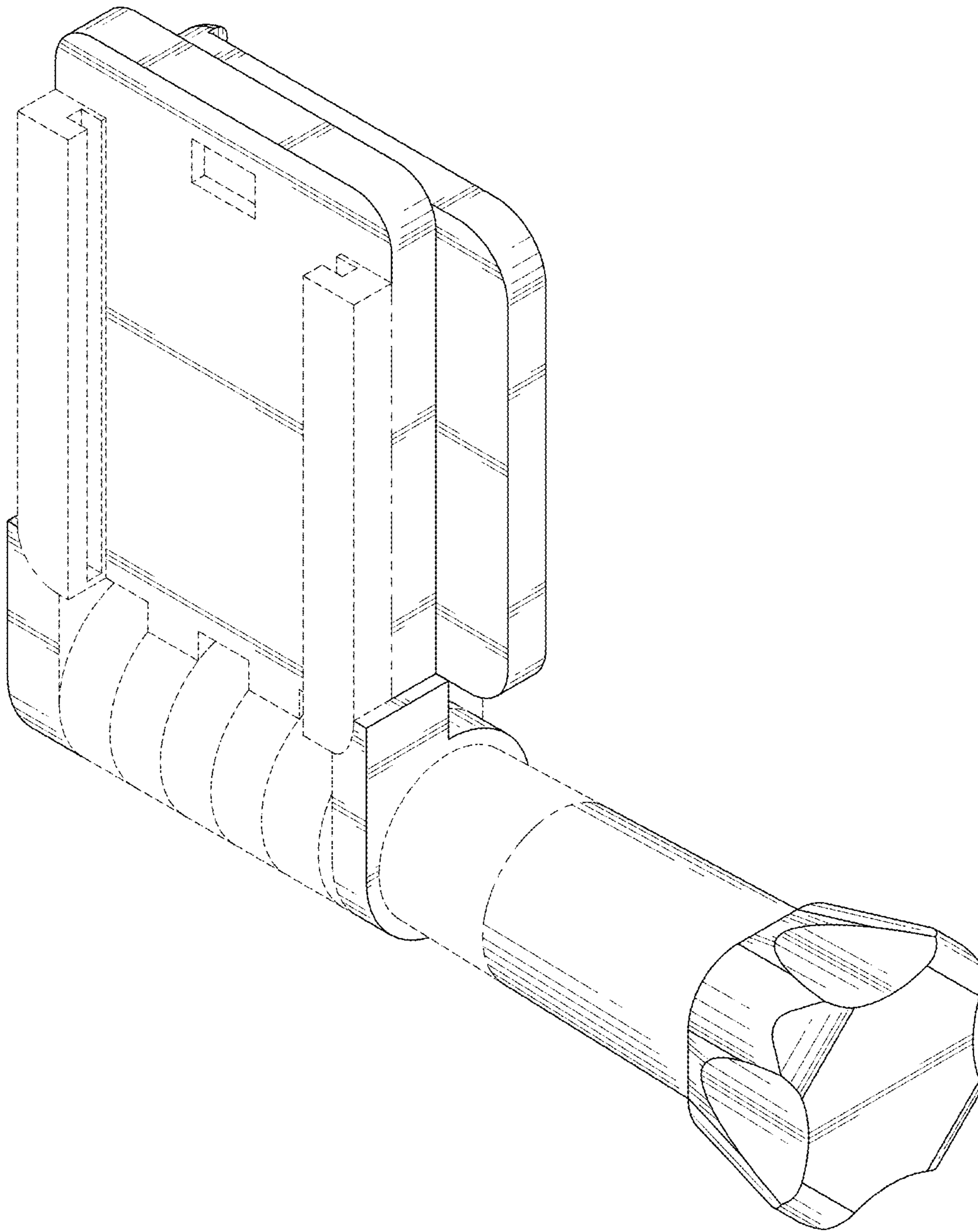


FIG. 2

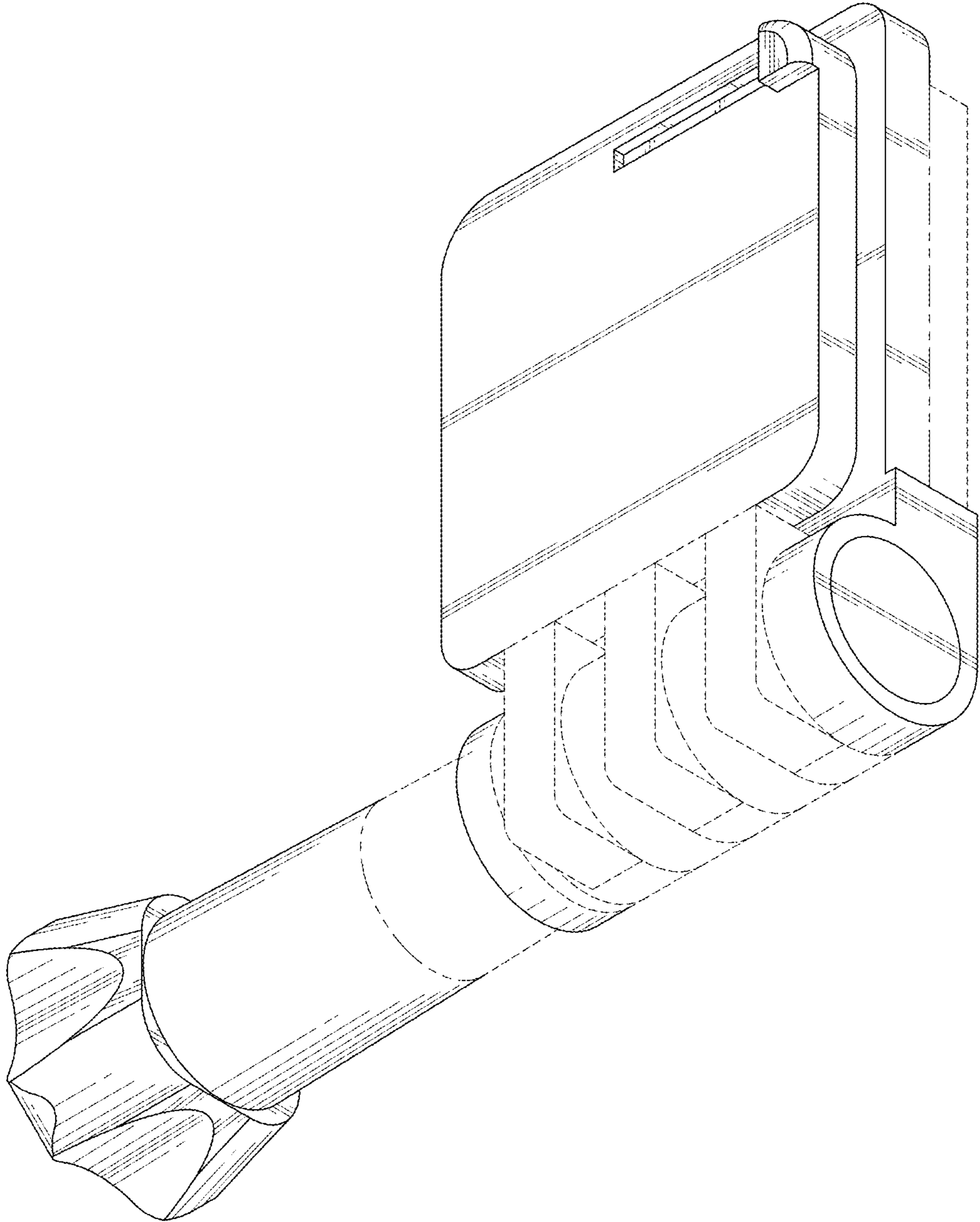


FIG. 3

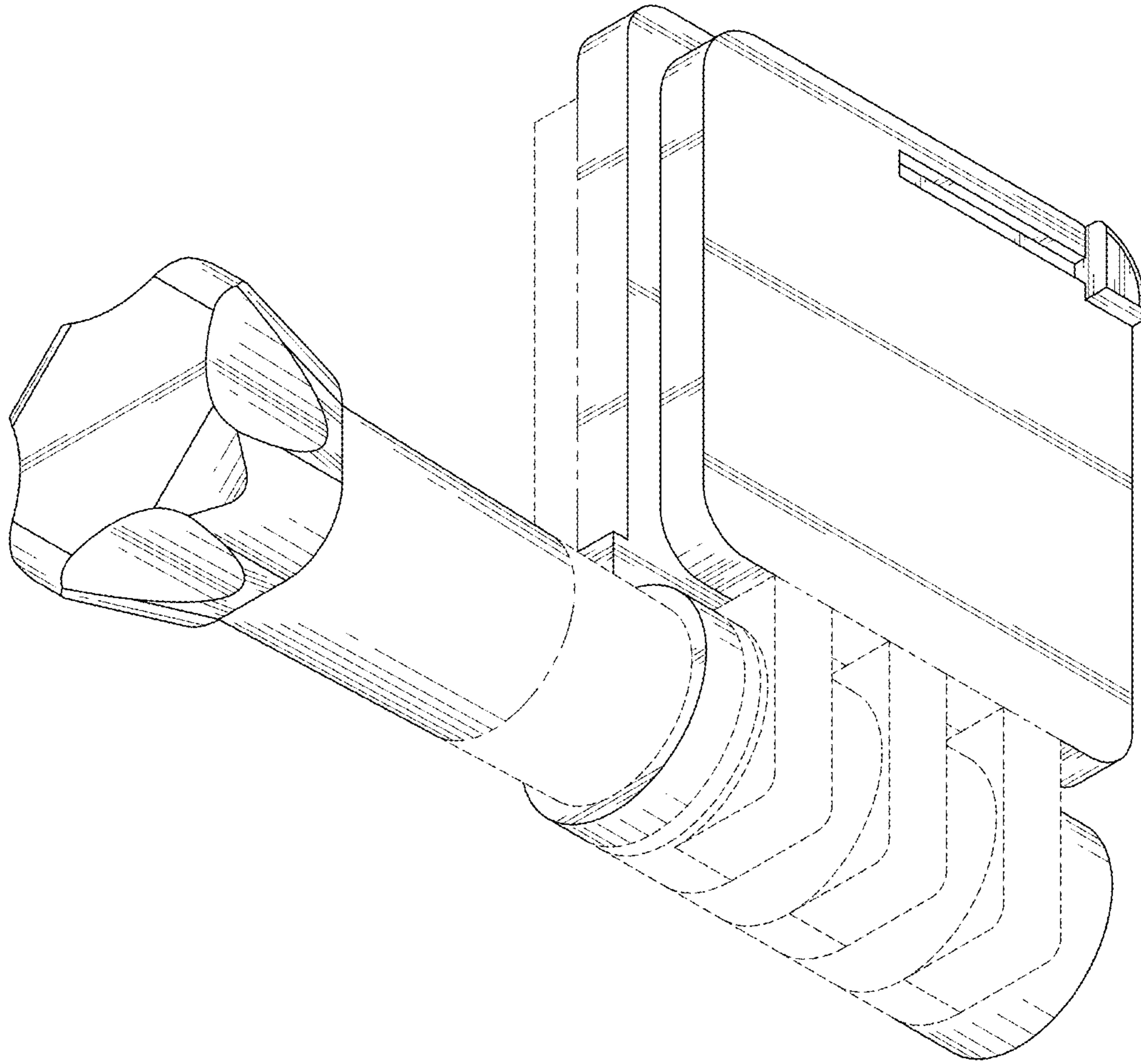


FIG. 4

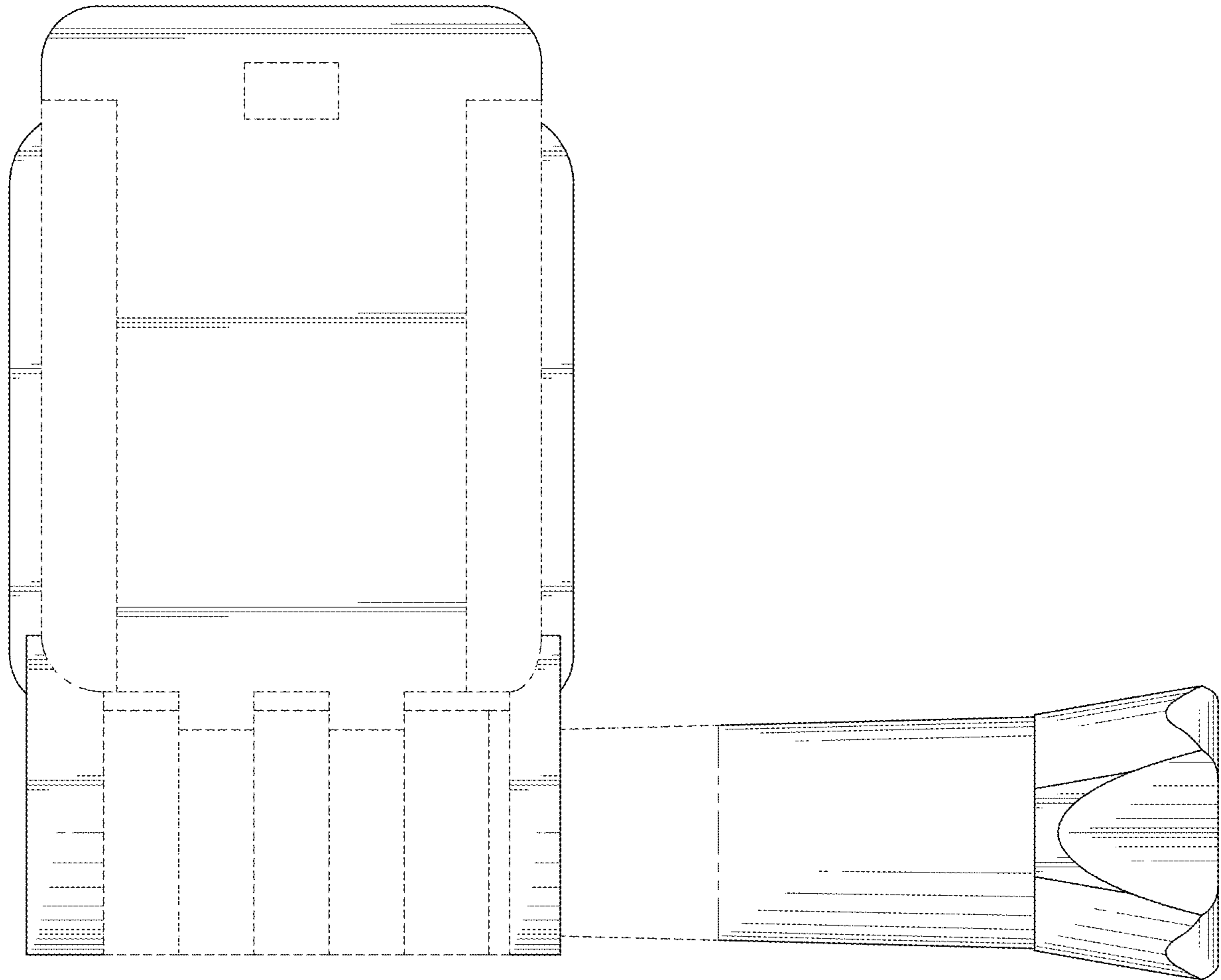


FIG. 5

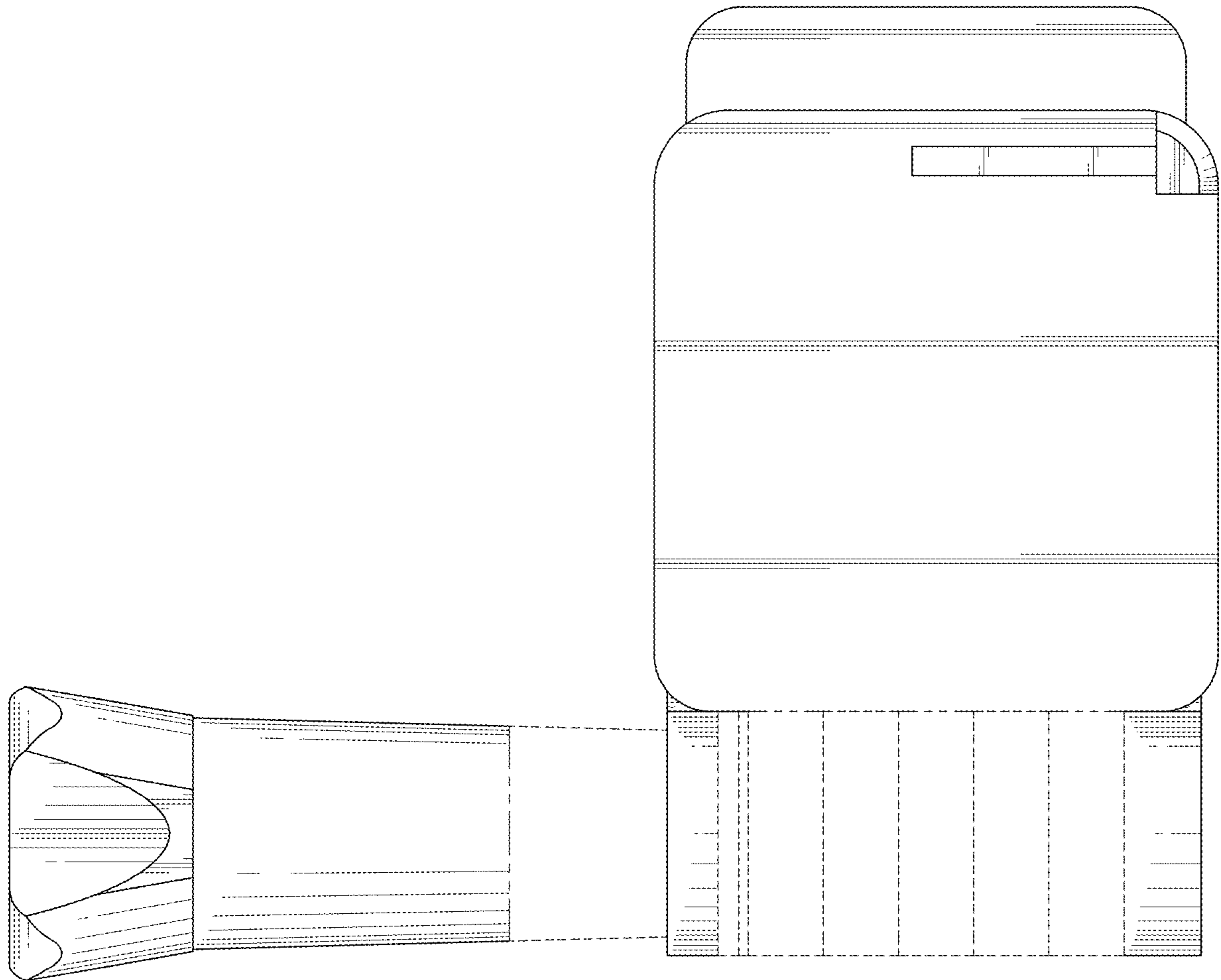


FIG. 6

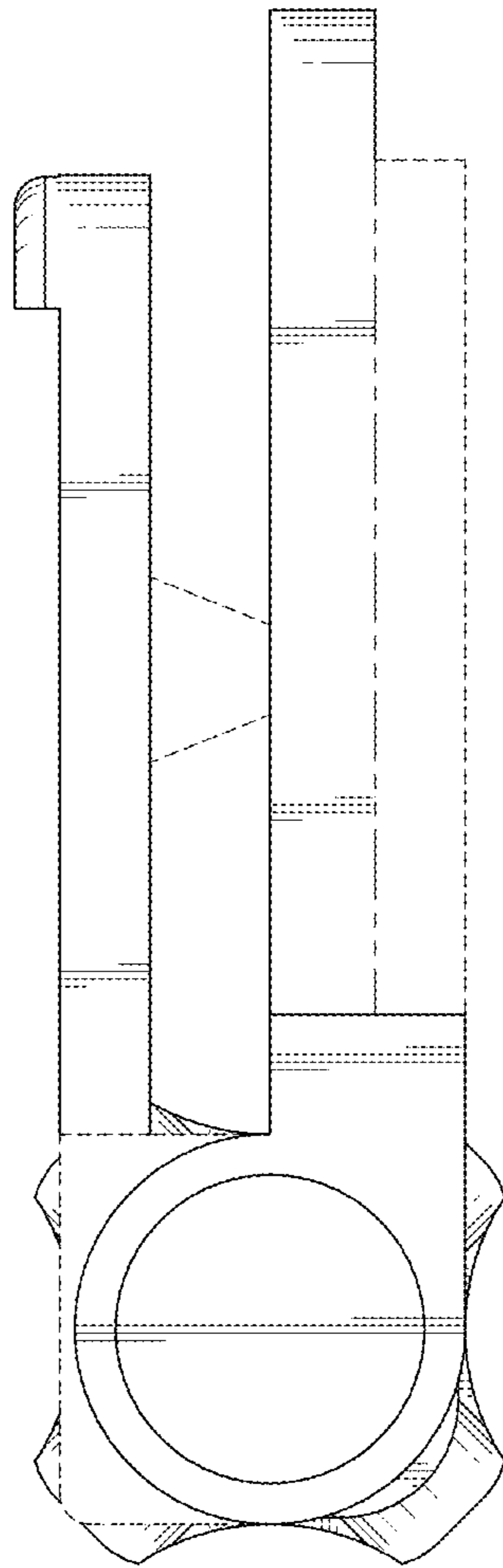


FIG. 7

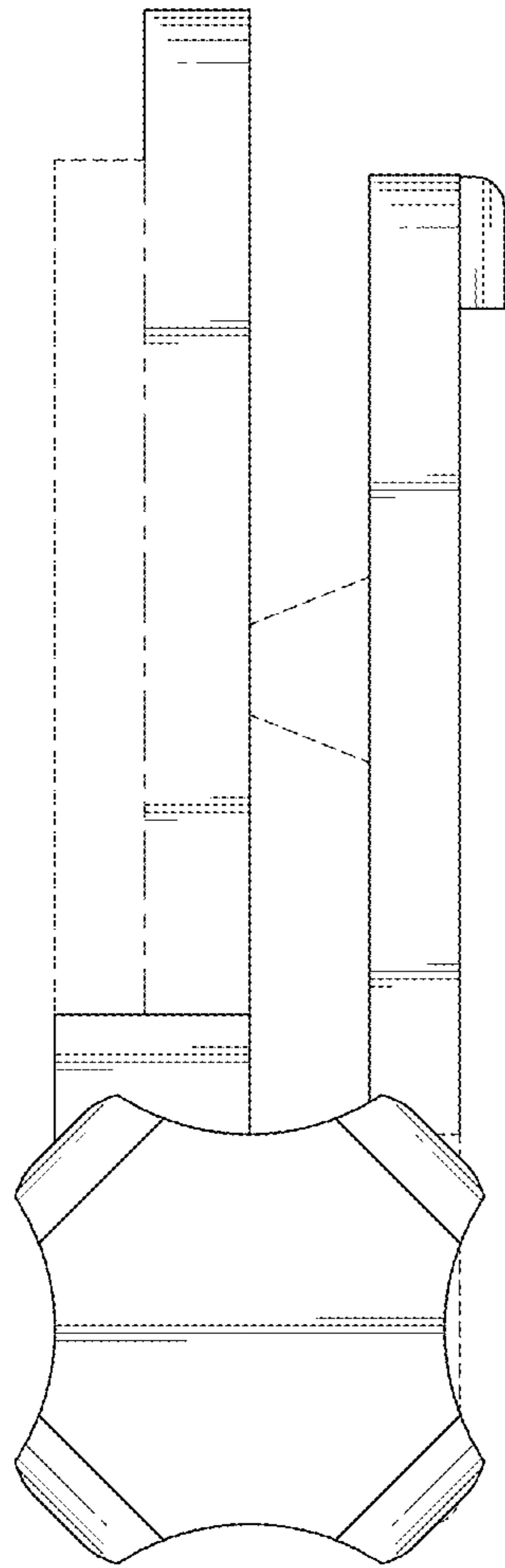


FIG. 8

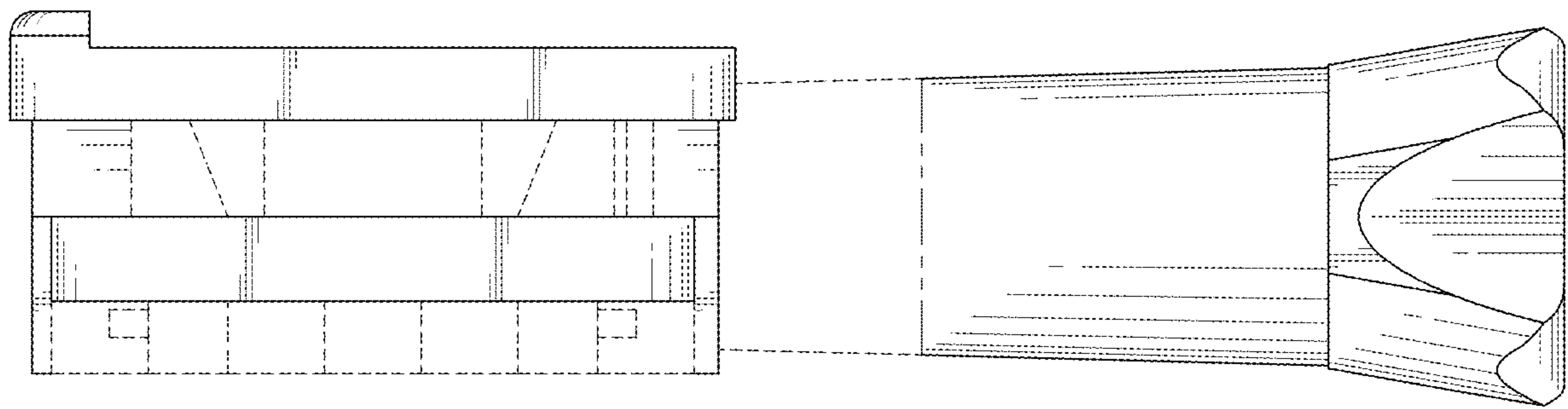


FIG. 9

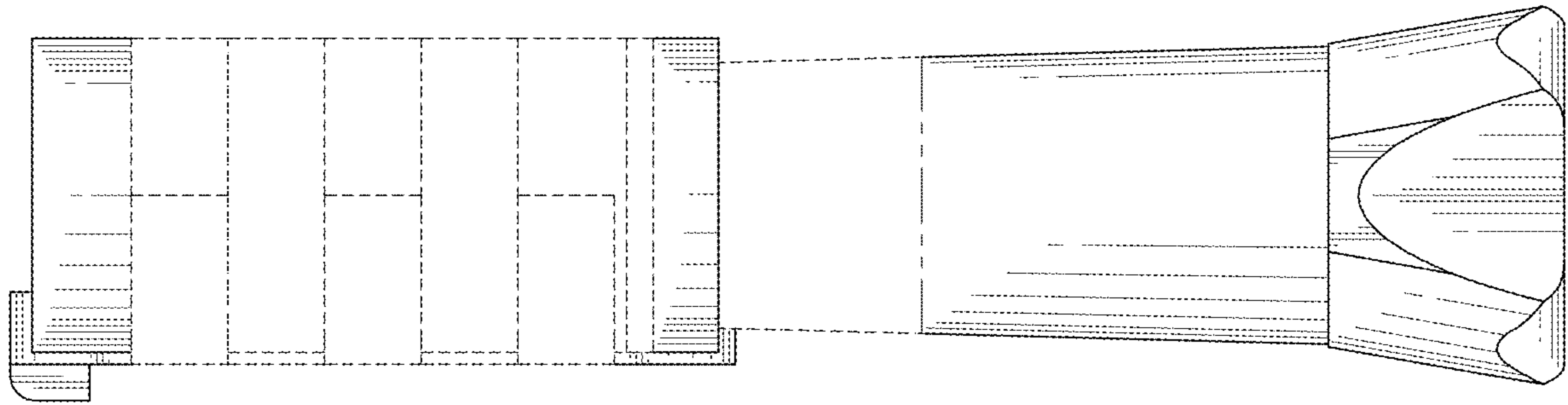


FIG. 10

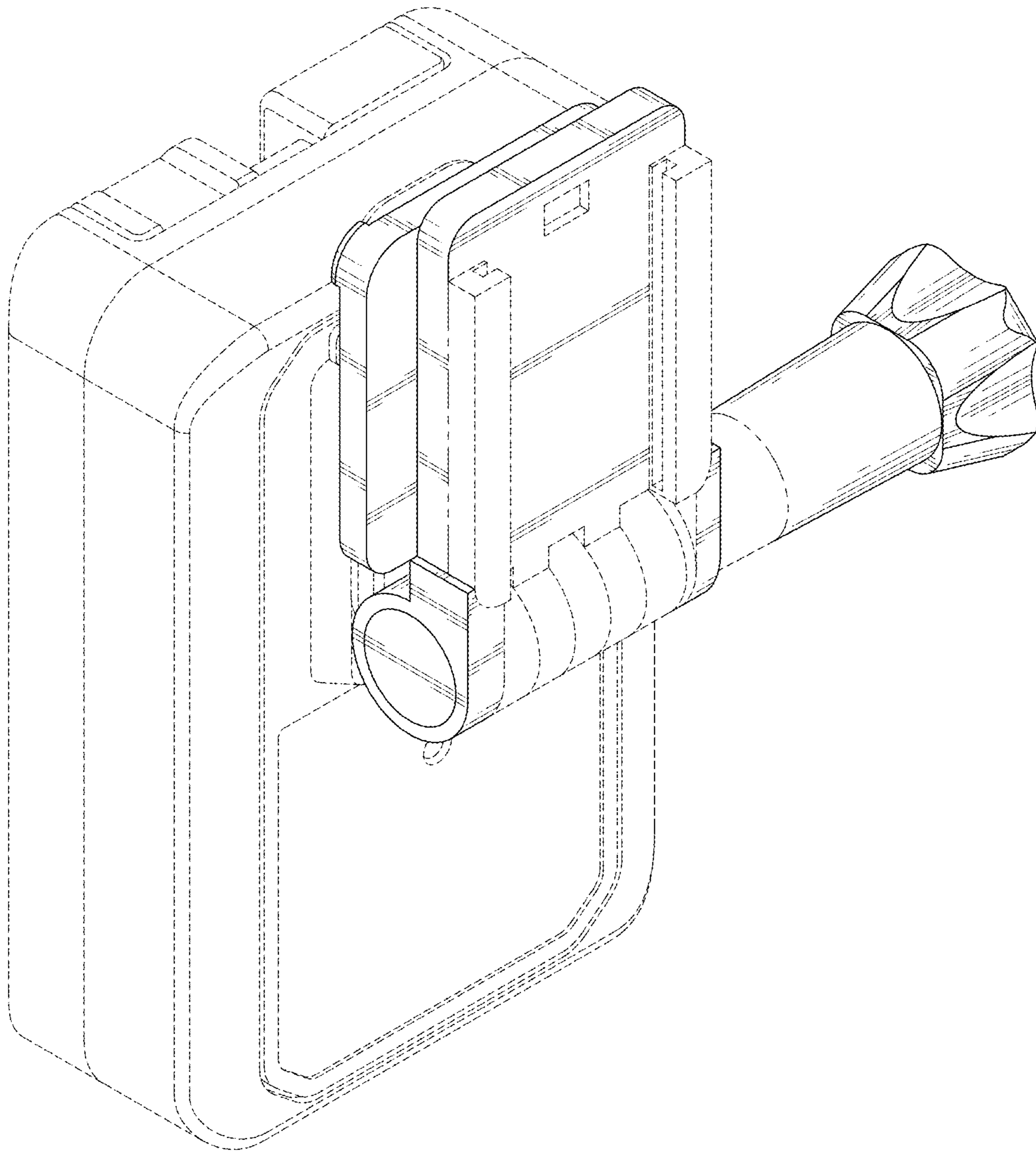


FIG. 11