



US00D881898S

(12) **United States Design Patent**
Shubin, Sr.

(10) **Patent No.:** **US D881,898 S**
(45) **Date of Patent:** **** Apr. 21, 2020**

(54) **TABLET DEVICE HOLDER AND STAND**

(71) Applicant: **Steven A. Shubin, Sr.**, Austin, TX (US)

(72) Inventor: **Steven A. Shubin, Sr.**, Austin, TX (US)

(**) Term: **15 Years**

(21) Appl. No.: **29/672,838**

(22) Filed: **Dec. 10, 2018**

(51) **LOC (12) Cl.** **08-07**

(52) **U.S. Cl.**
USPC **D14/447**

(58) **Field of Classification Search**
USPC D14/447, 432, 434, 439, 440, 451, 452,
D14/457, 239, 253; D8/363, 373, 380;
D6/406.3, 406.4, 406.5, 406.6; D12/415
CPC A47B 21/04; A47B 2097/006; A47B
2097/005; A47B 2023/049; A45C
2011/002; A45C 2011/003; F16M
2200/00; F16M 13/00

See application file for complete search history.

(56) **References Cited**

U.S. PATENT DOCUMENTS

D566,118 S * 4/2008 Brassard D14/434
D685,380 S * 7/2013 Richter D14/253

D696,672 S * 12/2013 Brittain D14/447
D717,307 S * 11/2014 Chun D14/447
D739,410 S * 9/2015 Chun D14/447
D750,612 S * 3/2016 Chen D14/253
D753,126 S * 4/2016 Alesi D14/447
D765,646 S * 9/2016 Deng D12/415
D784,923 S * 4/2017 Song D13/108
D804,487 S * 12/2017 Theis D14/447
D825,574 S * 8/2018 Davies D14/447
D859,393 S * 9/2019 Dang D14/253
D861,670 S * 10/2019 Li D14/253

* cited by examiner

Primary Examiner — Angela J Lee

(57) **CLAIM**

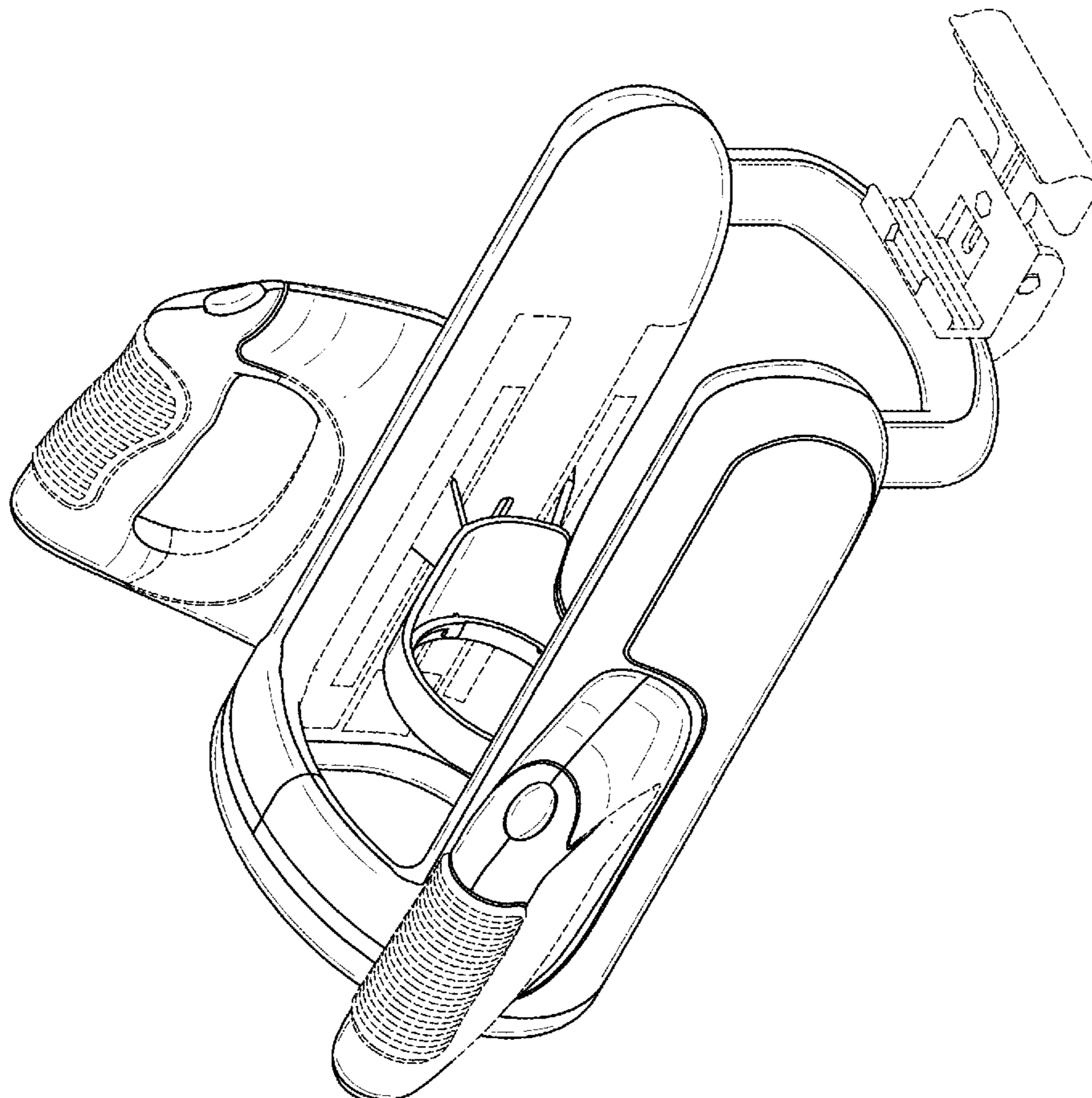
The ornamental design for a tablet device holder and stand, as shown and described.

DESCRIPTION

FIG. 1 is a perspective view of a tablet device holder and stand showing the new design;
FIG. 2 is a front view thereof;
FIG. 3 is a back view thereof;
FIG. 4 is a first side view thereof;
FIG. 5 is a second side view thereof;
FIG. 6 is a top view thereof; and,
FIG. 7 is a bottom view thereof.

The portions of the drawings shown in dashed lines form no part of the claimed subject matter.

1 Claim, 7 Drawing Sheets



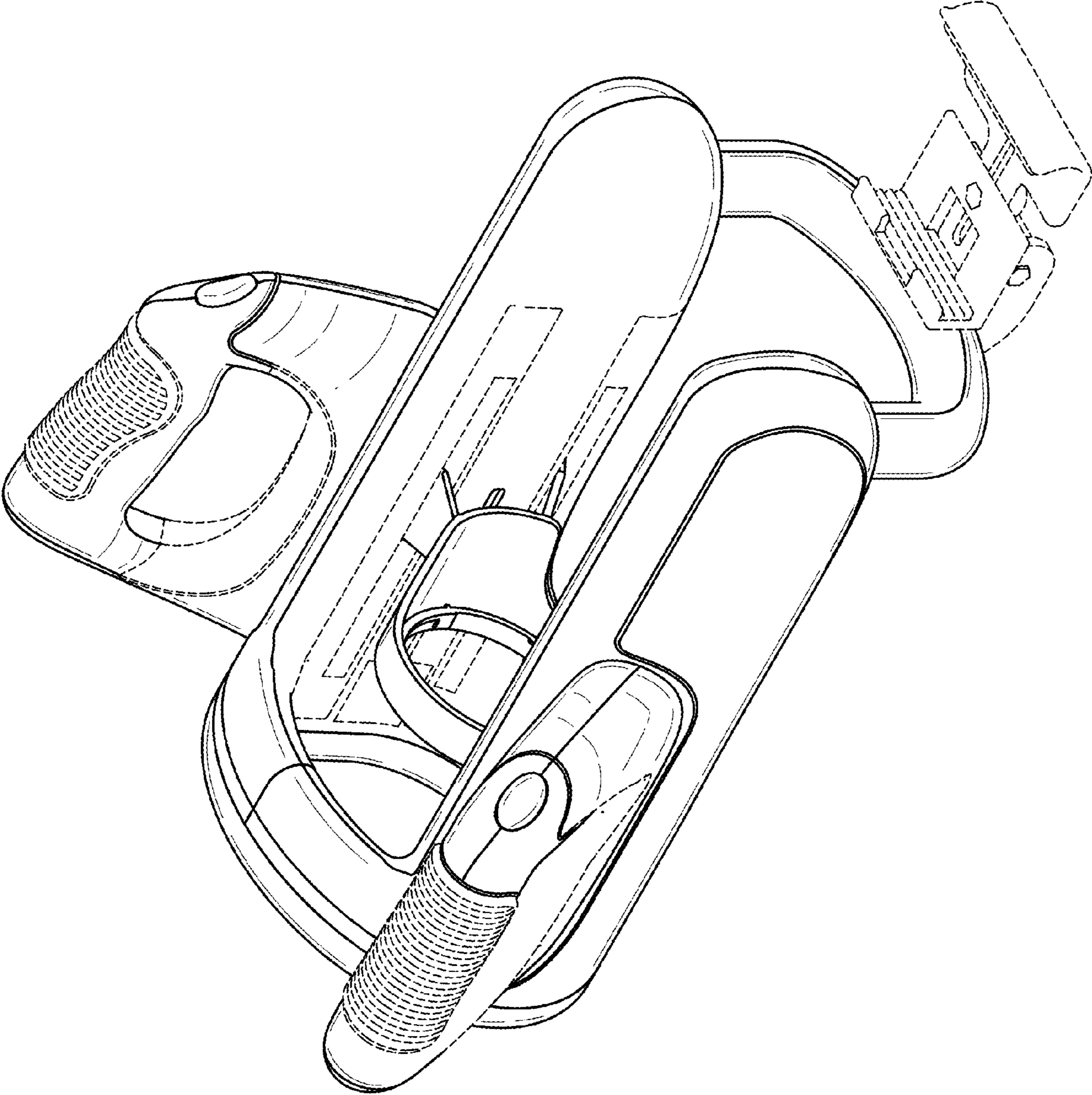


FIG.1

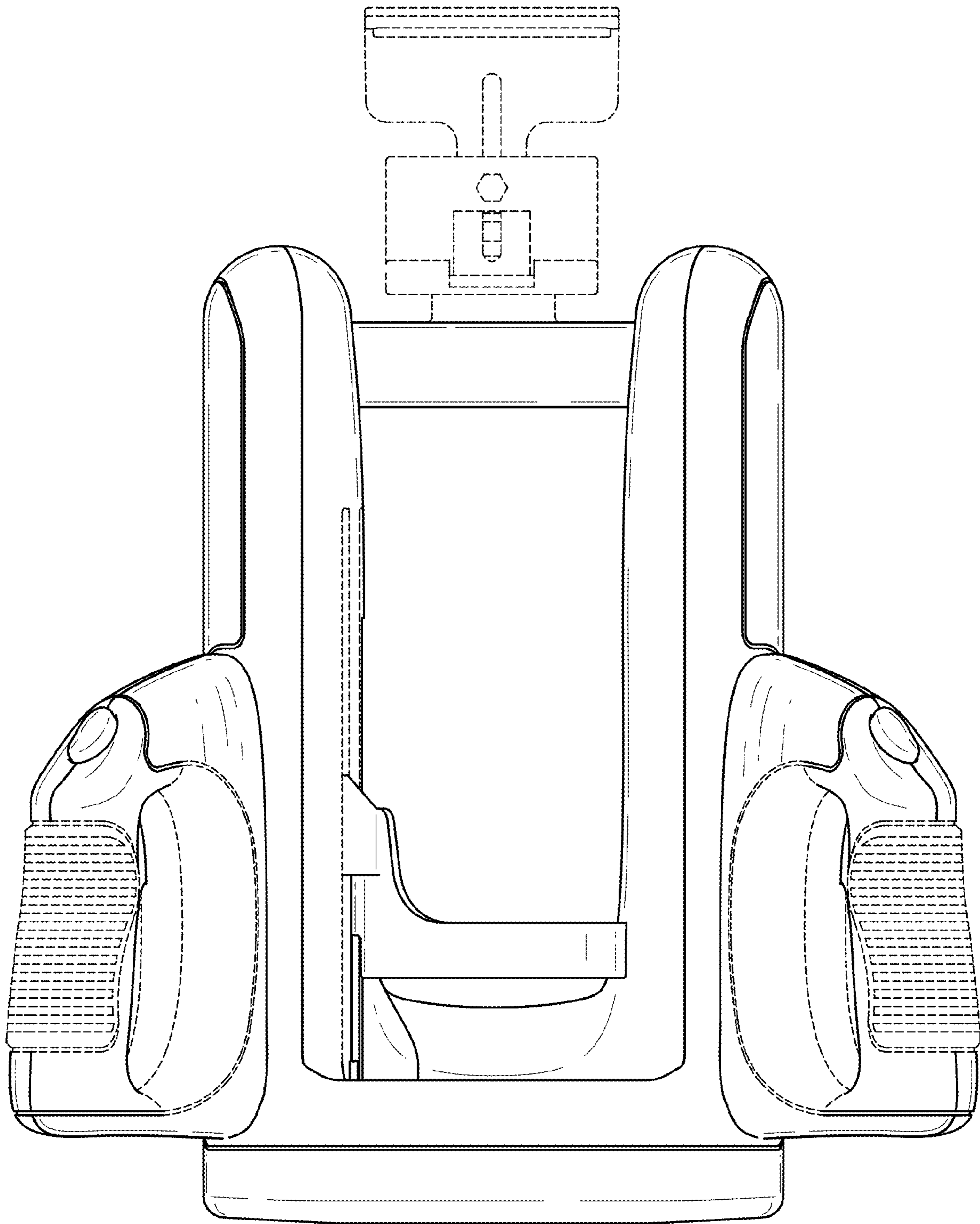


FIG.2

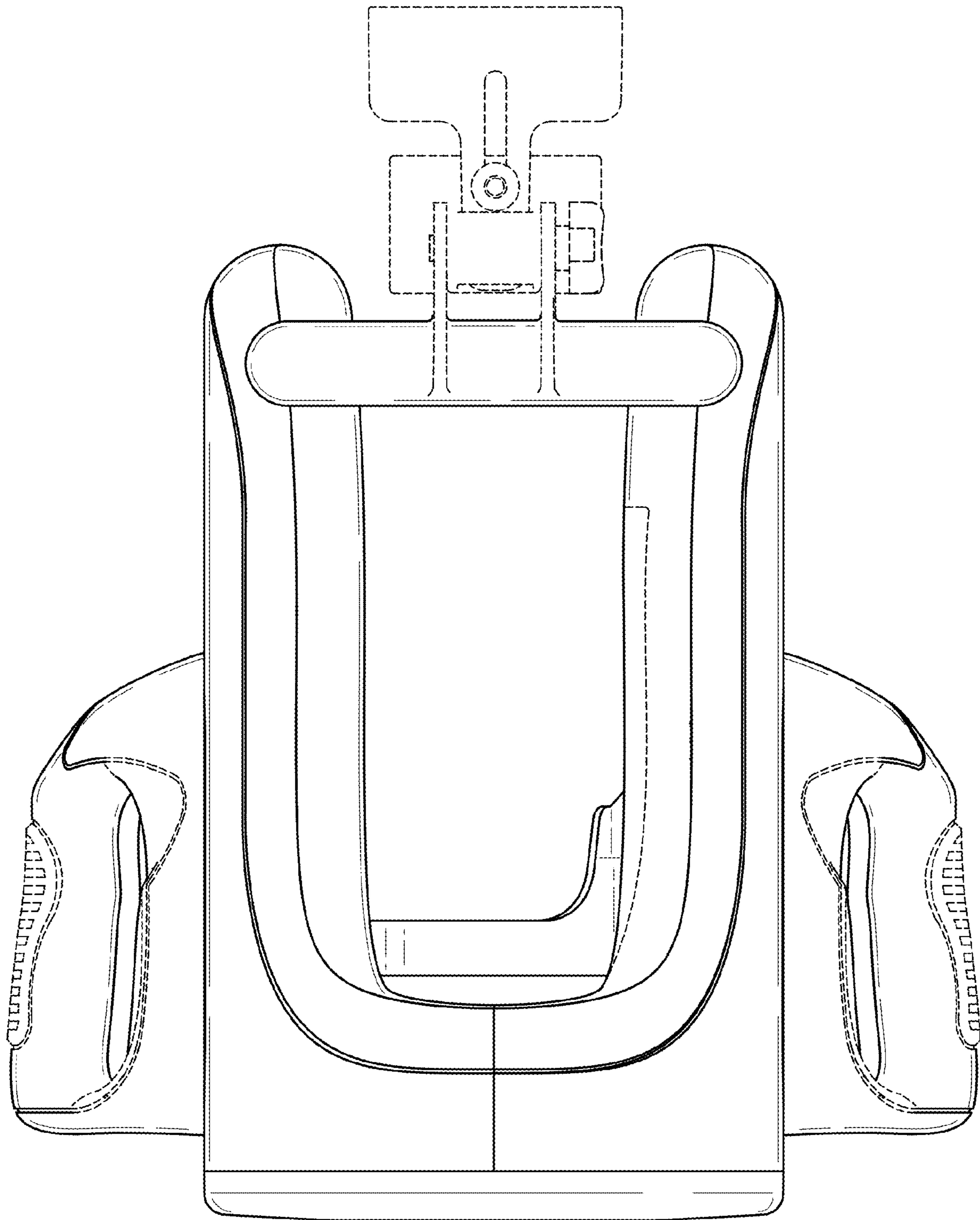


FIG.3

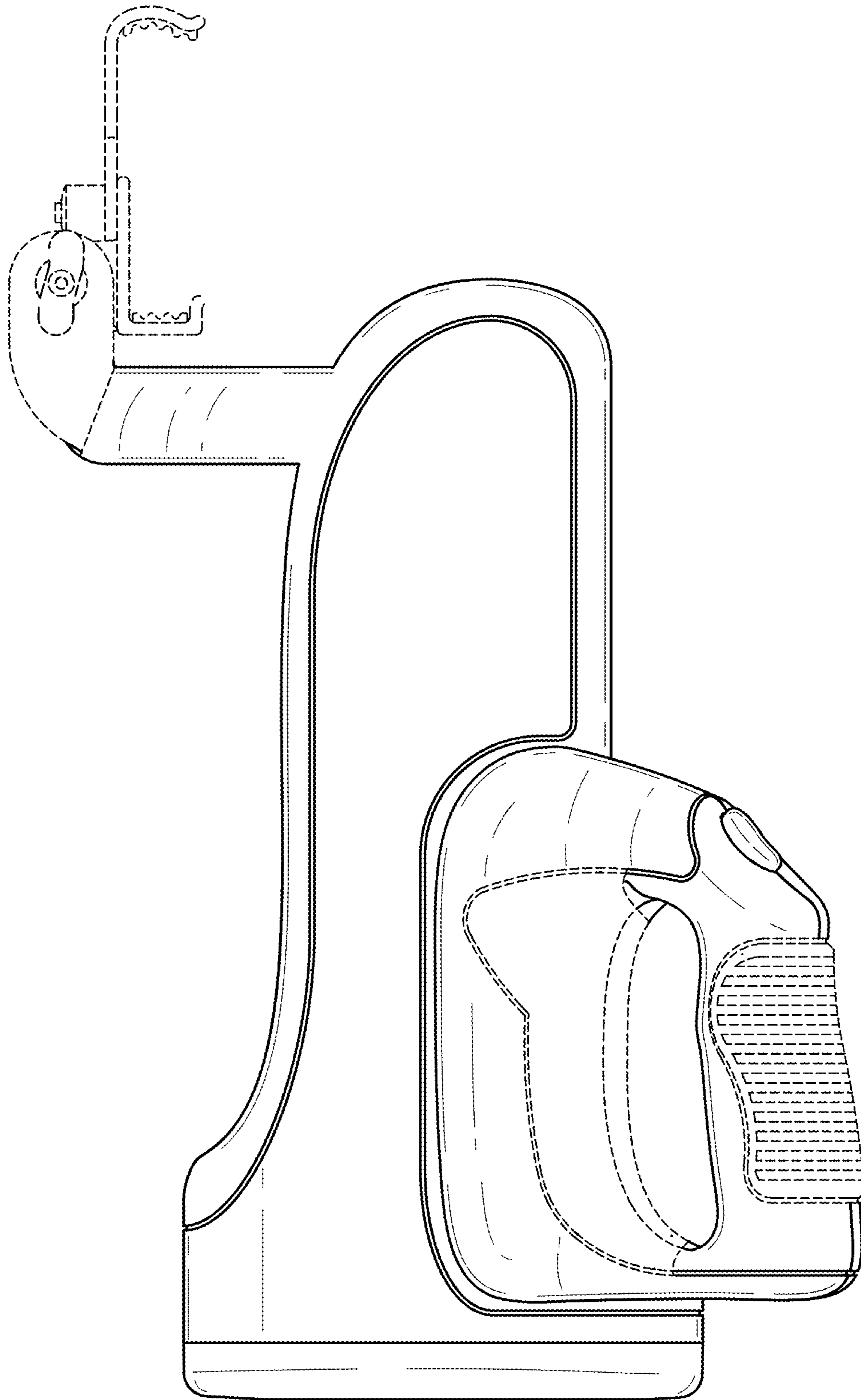


FIG.4

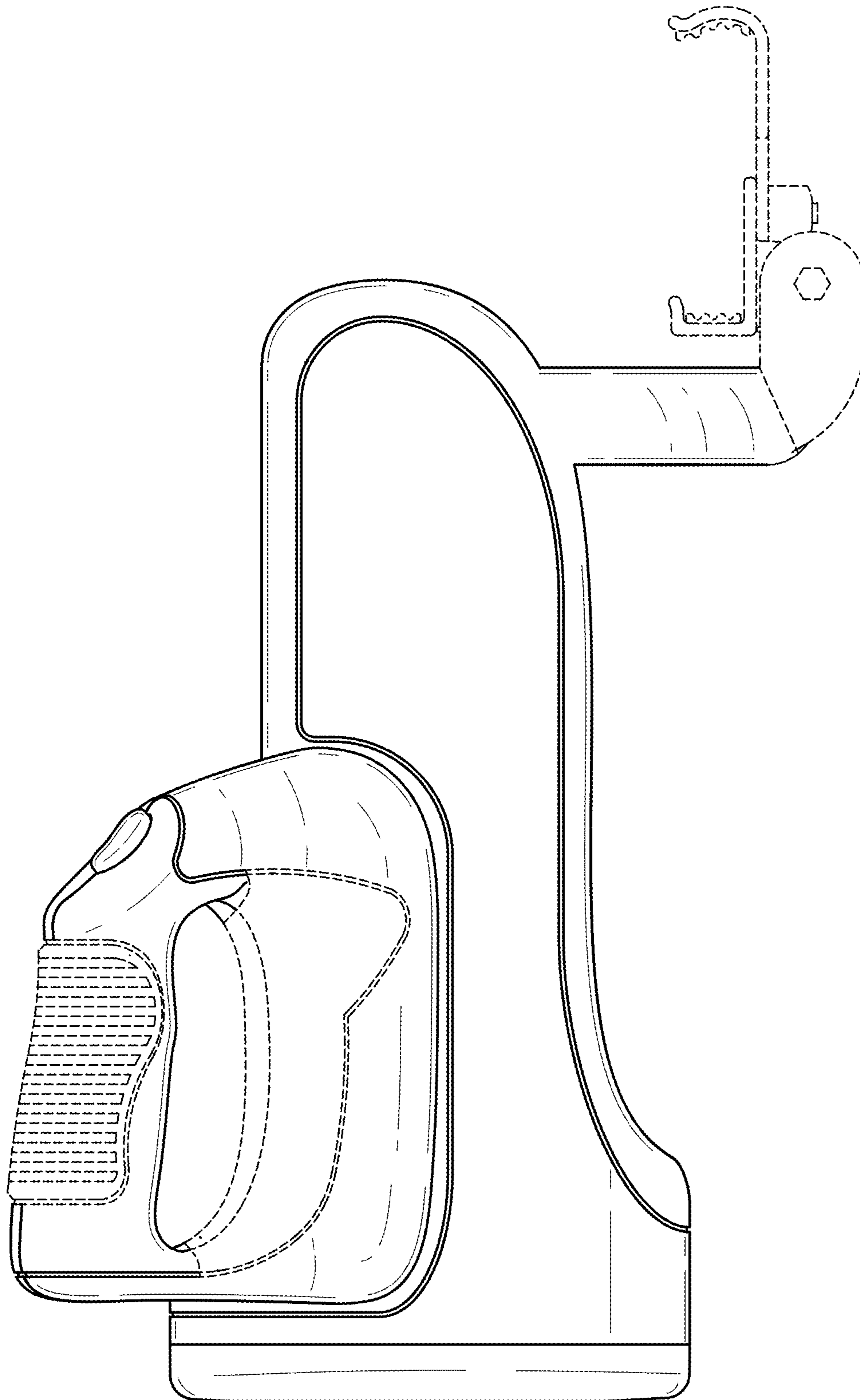


FIG.5

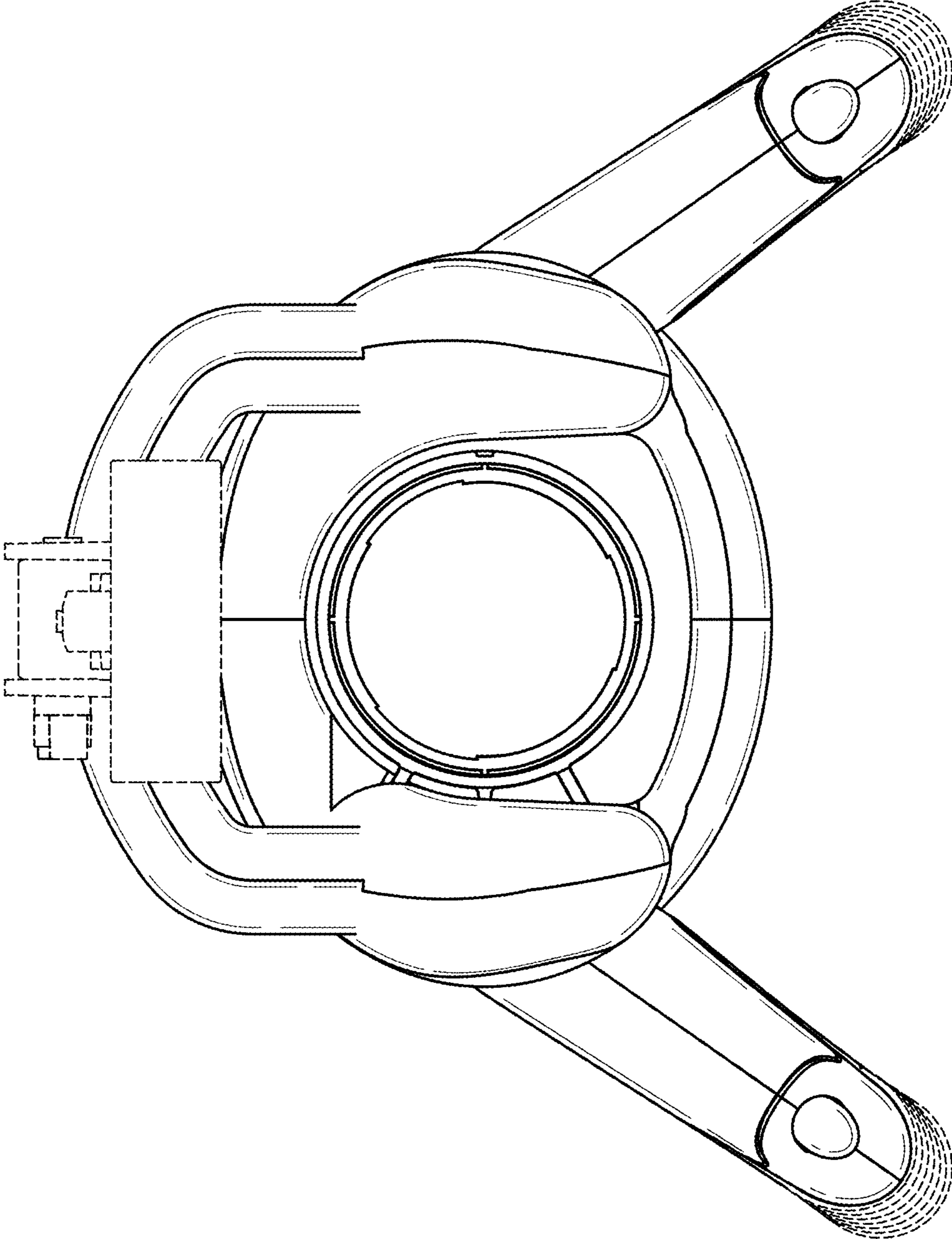


FIG.6

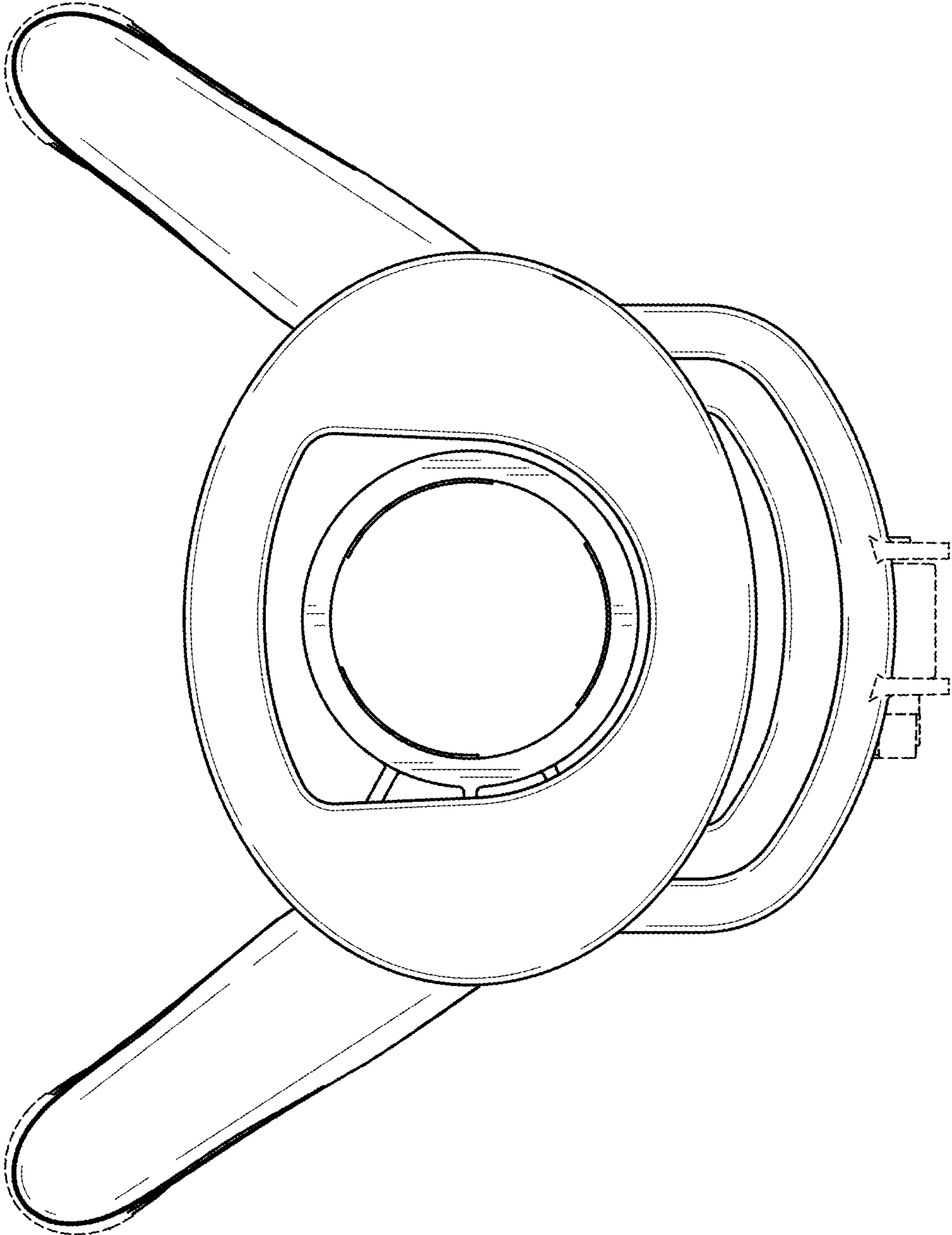


FIG. 7