



US00D881896S

(12) **United States Design Patent** (10) **Patent No.:** **US D881,896 S**  
**Burns** (45) **Date of Patent:** **\*\* Apr. 21, 2020**

- (54) **ELECTRONIC DEVICE MOUNT**
- (71) Applicant: **Amazon Technologies, Inc.**, Seattle, WA (US)
- (72) Inventor: **Thomas Burns**, Boston, MA (US)
- (73) Assignee: **Amazon Technologies, Inc.**, Seattle, WA (US)
- (\*\*) Term: **15 Years**
- (21) Appl. No.: **29/661,159**
- (22) Filed: **Aug. 24, 2018**
- (51) **LOC (12) Cl.** ..... **14-99**
- (52) **U.S. Cl.**  
USPC ..... **D14/447**; D14/253
- (58) **Field of Classification Search**  
USPC ..... D14/250–254, 224, 224.1, 238.1, 433, D14/434, 447, 451, 452, 483, 126, 129, D14/147; D12/400, 415–418, 420, 426.1, D12/114, 223; D16/237, 242, 245; D10/74; D3/218; D13/107, 108; D24/118, 127, 128, 187, 199, 227; D8/363, 373, 380; D6/553, 567  
CPC ..... B60R 11/00; B60R 11/02; B60R 11/0241; B60R 11/0252; B60R 2011/0003; B60R 2011/0005; B60R 2011/0008; H04M 1/04; H04B 1/3877; A45F 2200/0516; A45F 2200/0525; H05K 5/0204; F16M 13/02; F16M 13/022; F16M 11/04; F16M 11/041; F16M 11/14; F16M 11/22; F16B 2/12; H01F 7/0252; G03B 17/561  
See application file for complete search history.

D461,461 S *	8/2002	Adamson .....	D14/147
D483,016 S *	12/2003	Ma .....	D13/108
D485,234 S *	1/2004	Katayama .....	D13/108
D530,333 S *	10/2006	Richter .....	D14/447
D536,011 S *	1/2007	Dayan .....	D14/129
D536,360 S *	2/2007	Dayan .....	D14/126
D592,205 S *	5/2009	O'Brien .....	D12/415
D592,206 S *	5/2009	O'Brien .....	D12/415
D638,406 S *	5/2011	Chiang .....	D14/224
D654,119 S *	2/2012	Lin .....	D14/434
8,333,353 B1 *	12/2012	Silverman .....	F16M 11/041 24/331
D733,156 S *	6/2015	Choi .....	D14/447
9,541,957 B1 *	1/2017	Liu .....	G06F 1/1632
D778,713 S *	2/2017	McSweyn .....	D12/415
9,948,837 B1 *	4/2018	Gartrell .....	B60R 11/04

\* cited by examiner

*Primary Examiner* — Jeffrey D Asch  
*Assistant Examiner* — Rebekah A Caruso  
(74) *Attorney, Agent, or Firm* — Lee & Hayes, P.C.

(57) **CLAIM**

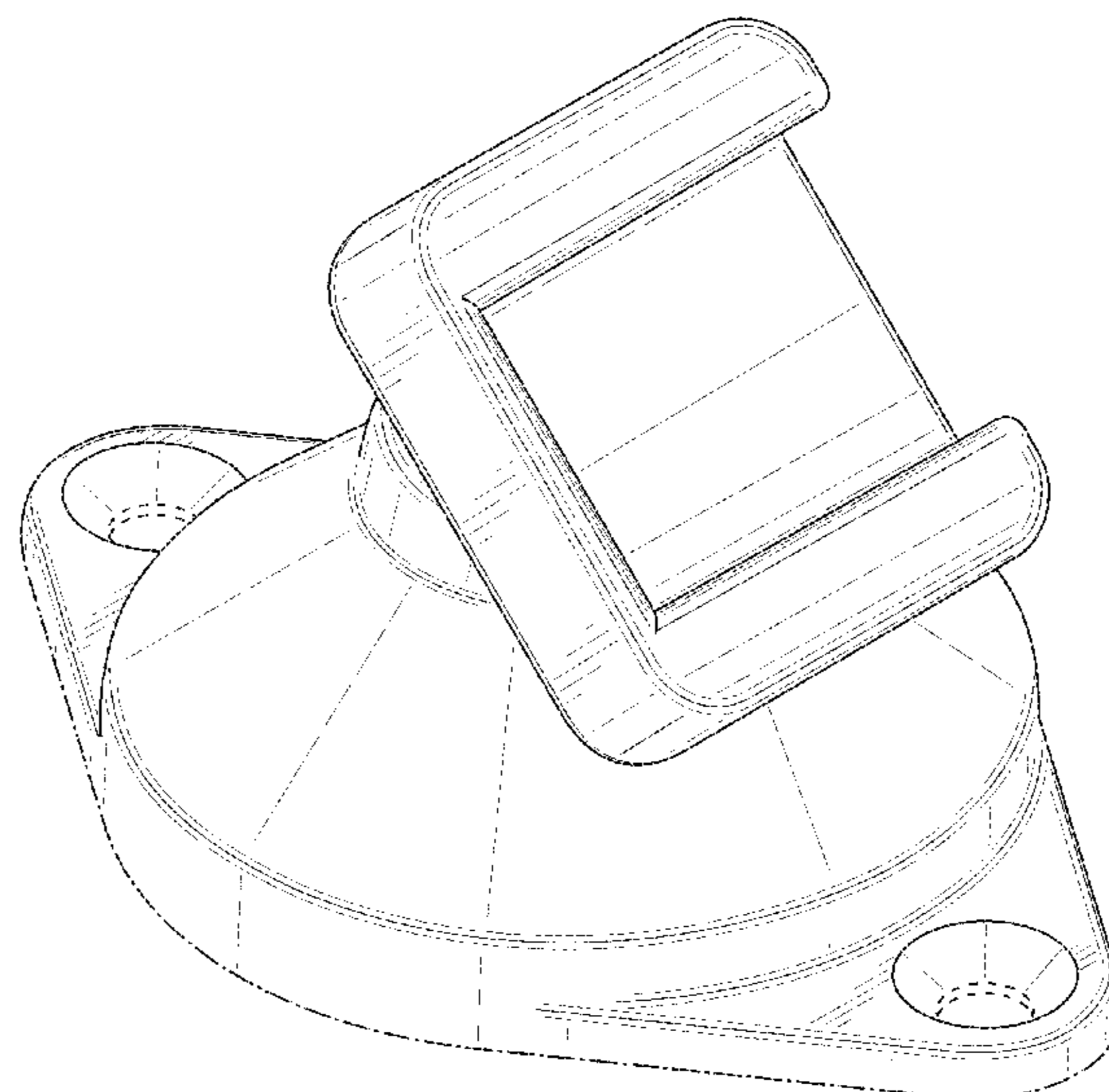
The ornamental design for an electronic device mount, as shown and described.

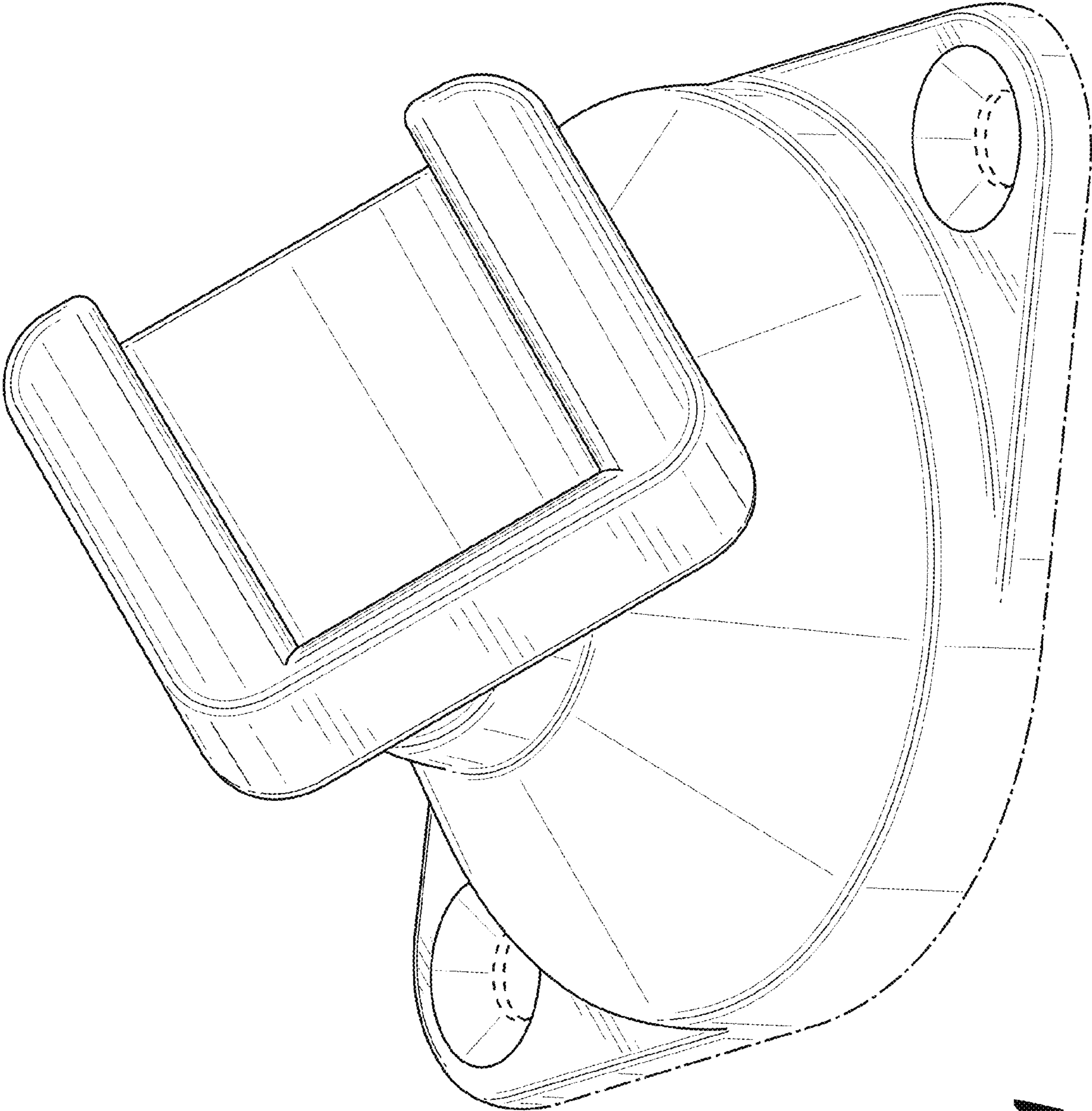
**DESCRIPTION**

FIG. 1 is a front perspective view of an electronic device mount;  
FIG. 2 is a back perspective view thereof;  
FIG. 3 is a front view thereof;  
FIG. 4 is a back view thereof;  
FIG. 5 is a left-side view thereof;  
FIG. 6 is a right-side view thereof;  
FIG. 7 is a top view thereof; and,  
FIG. 8 is a bottom view thereof.  
The dashed broken lines depict portions of the electronic device mount that form no part of the claimed design. The dot-dashed broken lines represent boundaries of the claimed electronic device mount and form no part of the claimed design.

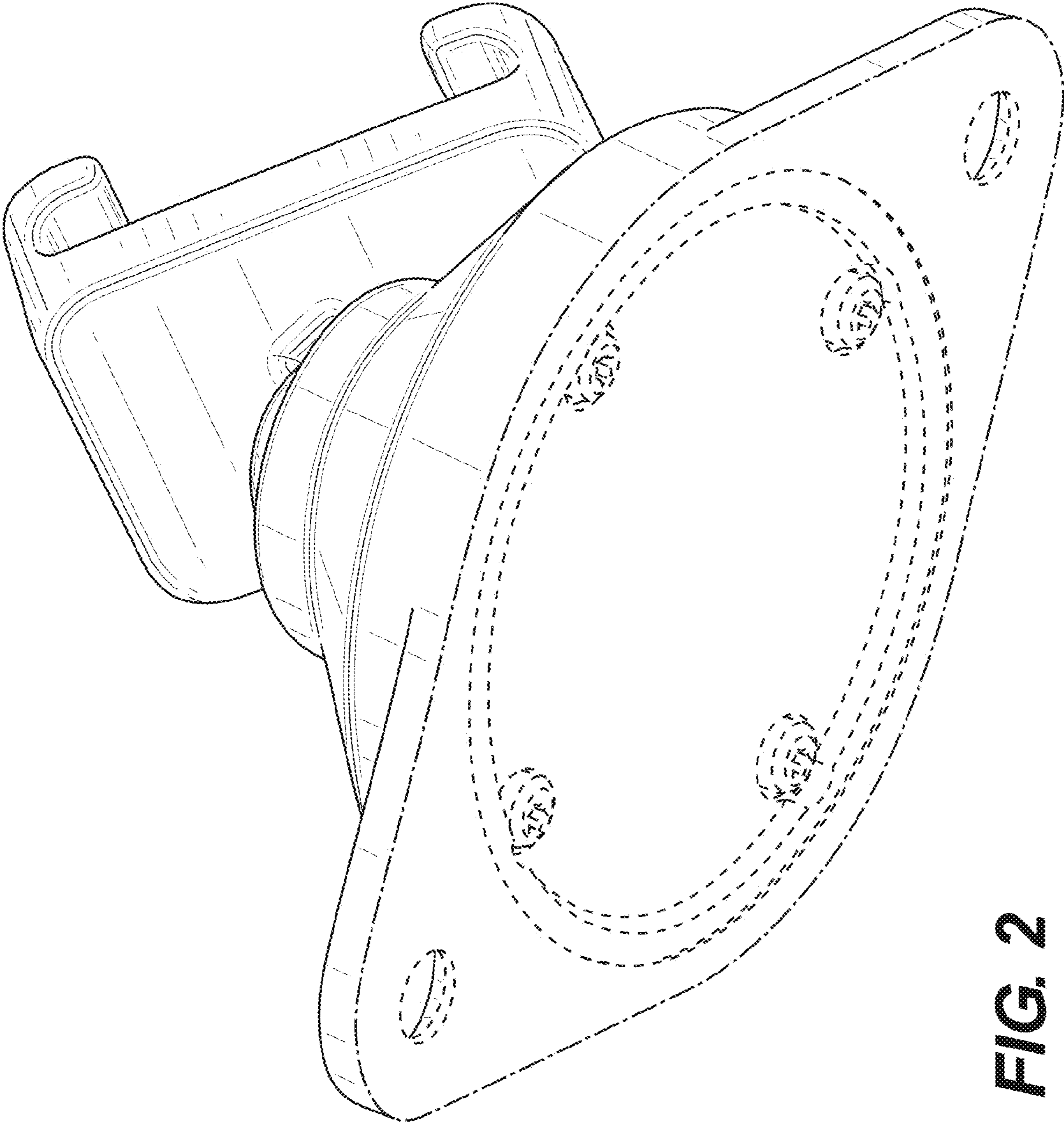
**1 Claim, 8 Drawing Sheets**

- (56) **References Cited**  
U.S. PATENT DOCUMENTS  
D323,085 S \* 1/1992 Konkel ..... 248/158  
D363,619 S \* 10/1995 Karnaze ..... D6/672  
D420,989 S \* 2/2000 Sandhu ..... D14/447



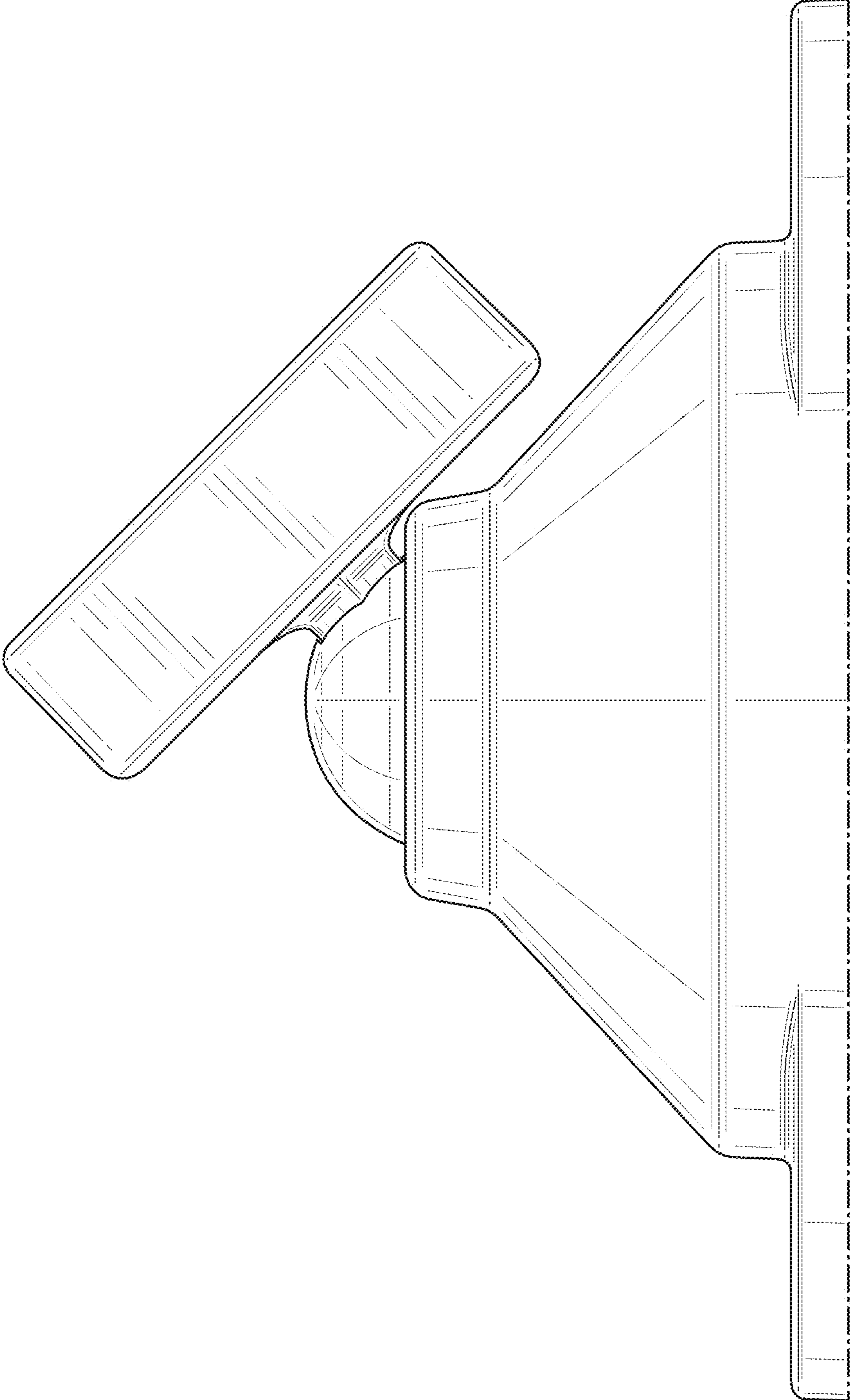


**FIG. 1**

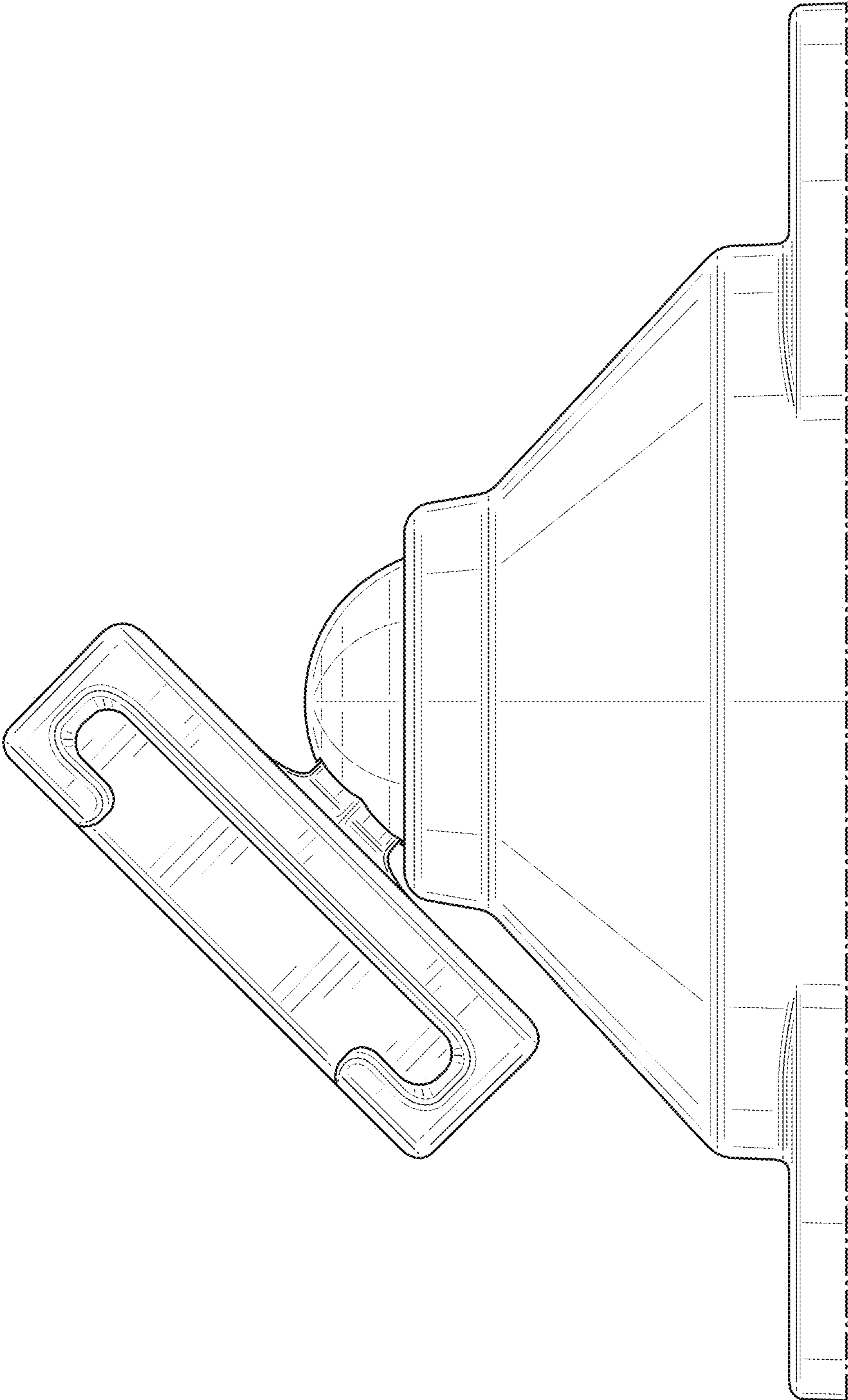


**FIG. 2**

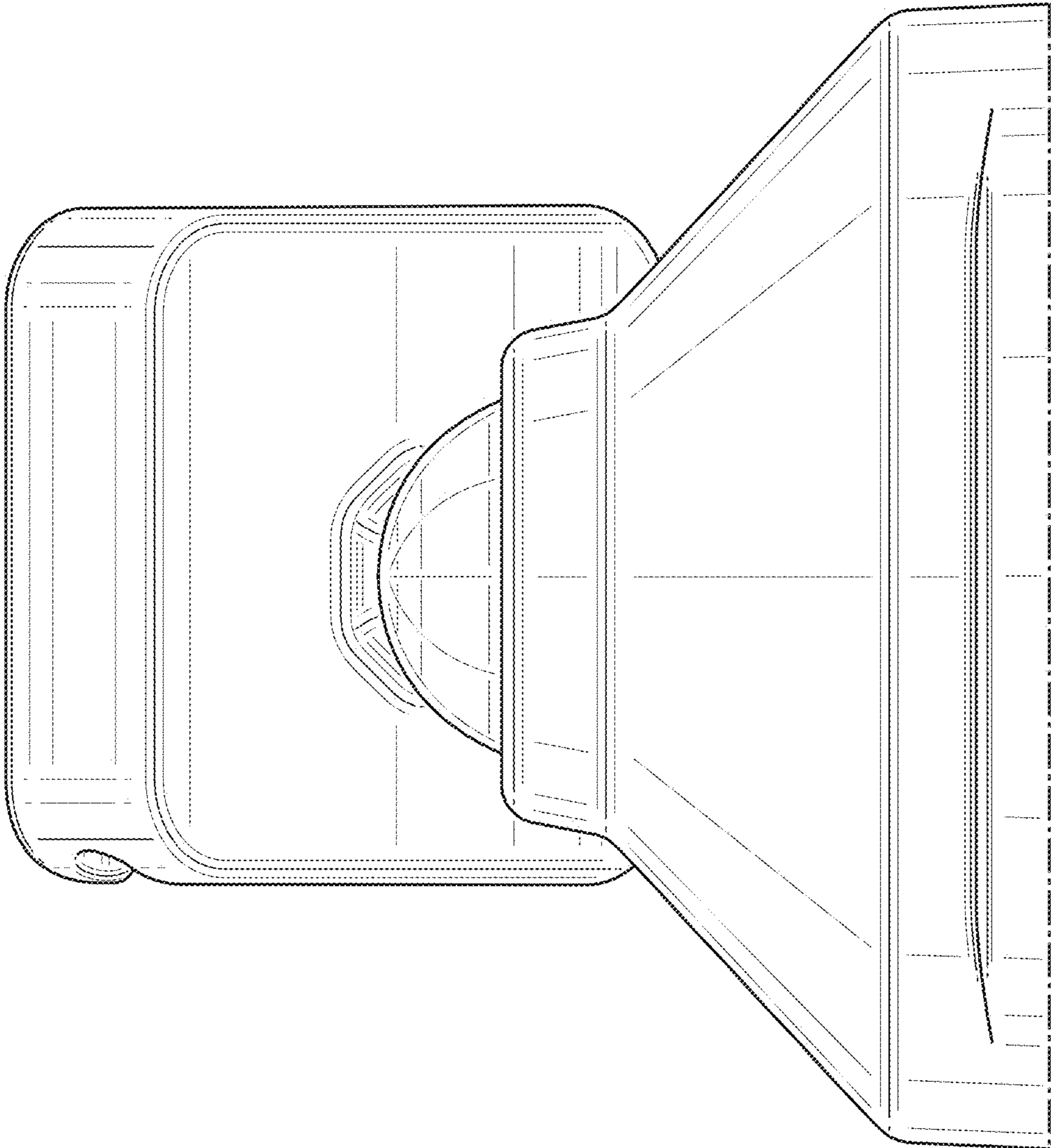




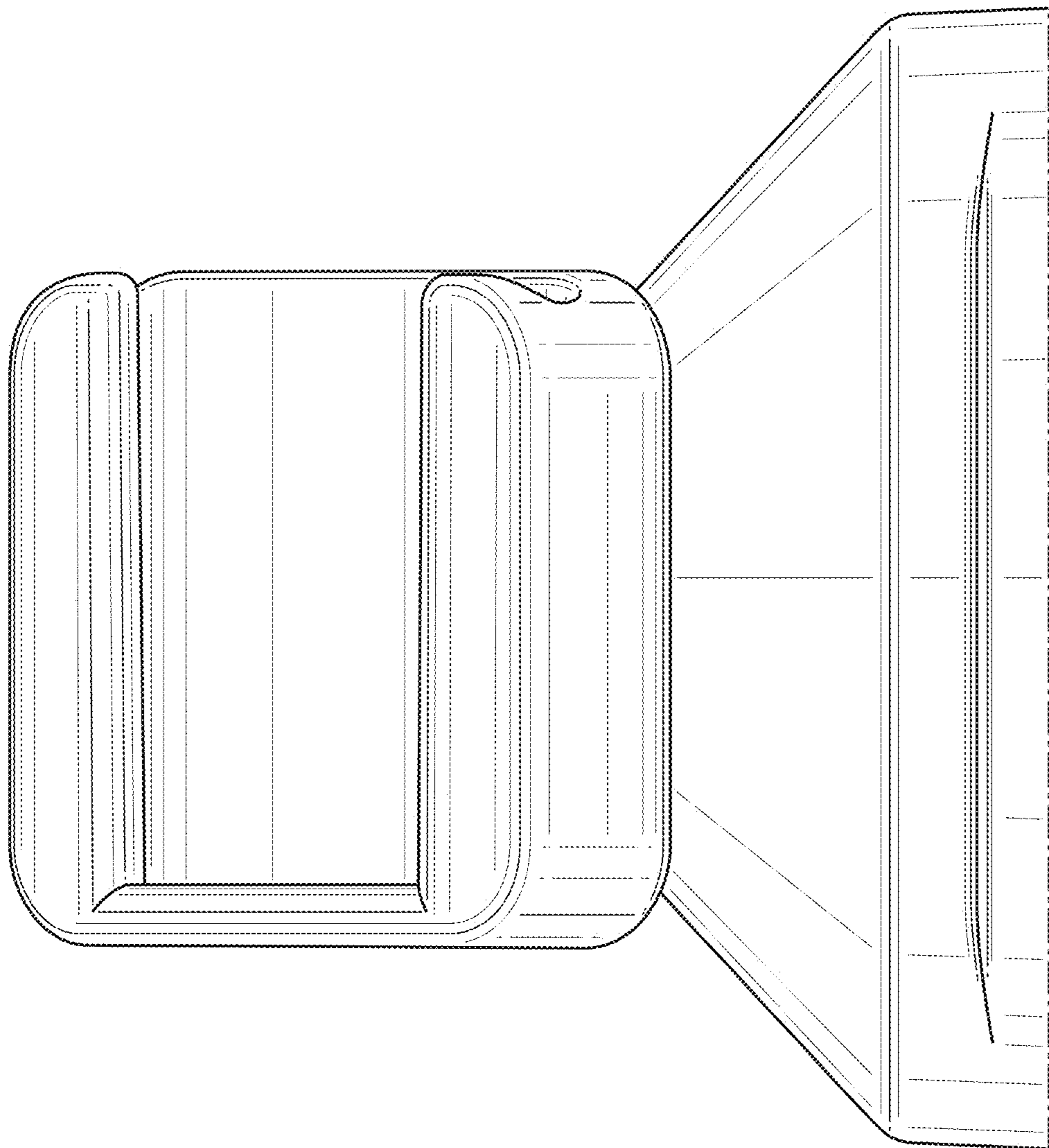
**FIG. 3**



**FIG. 4**

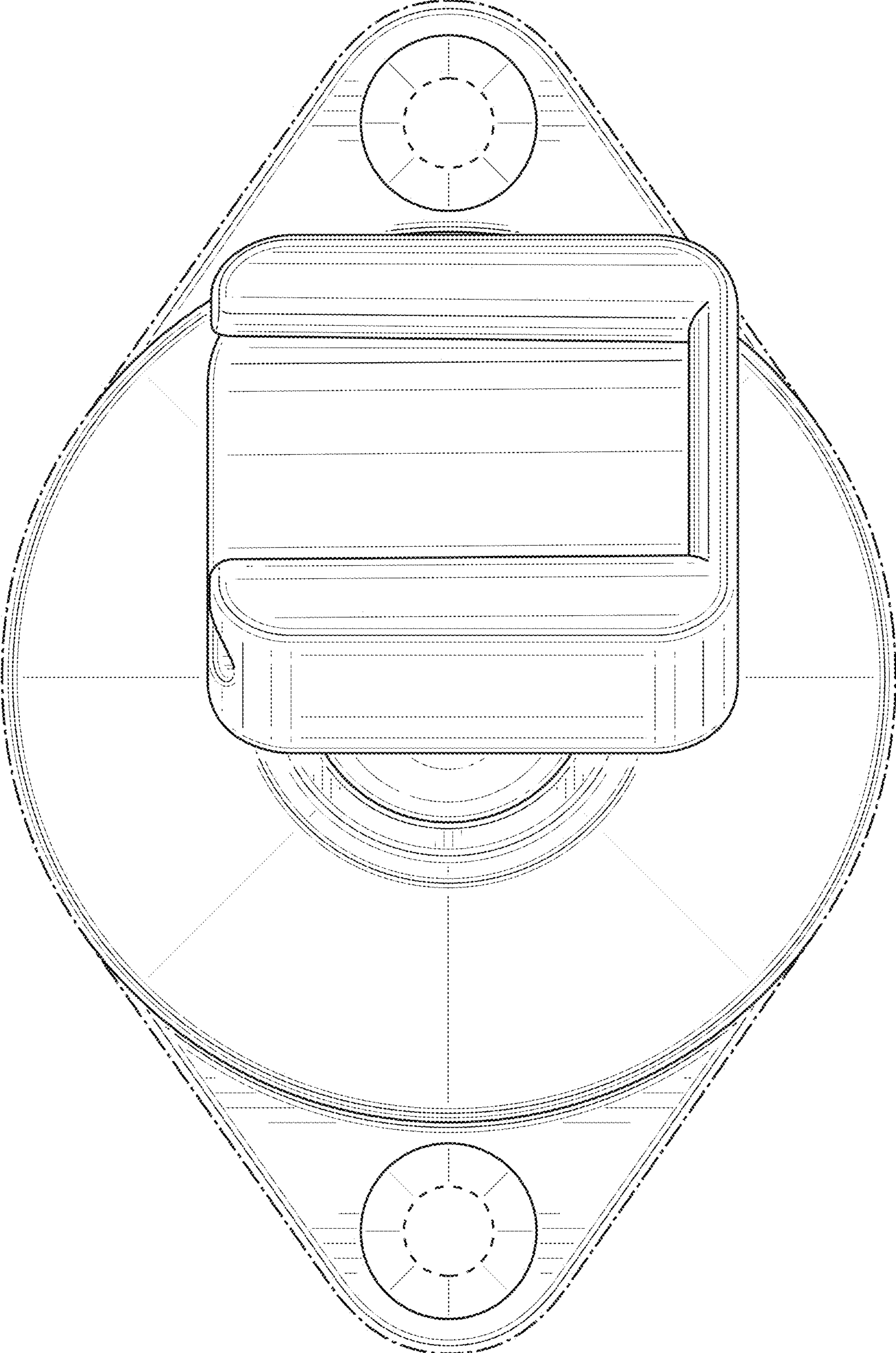


**FIG. 5**



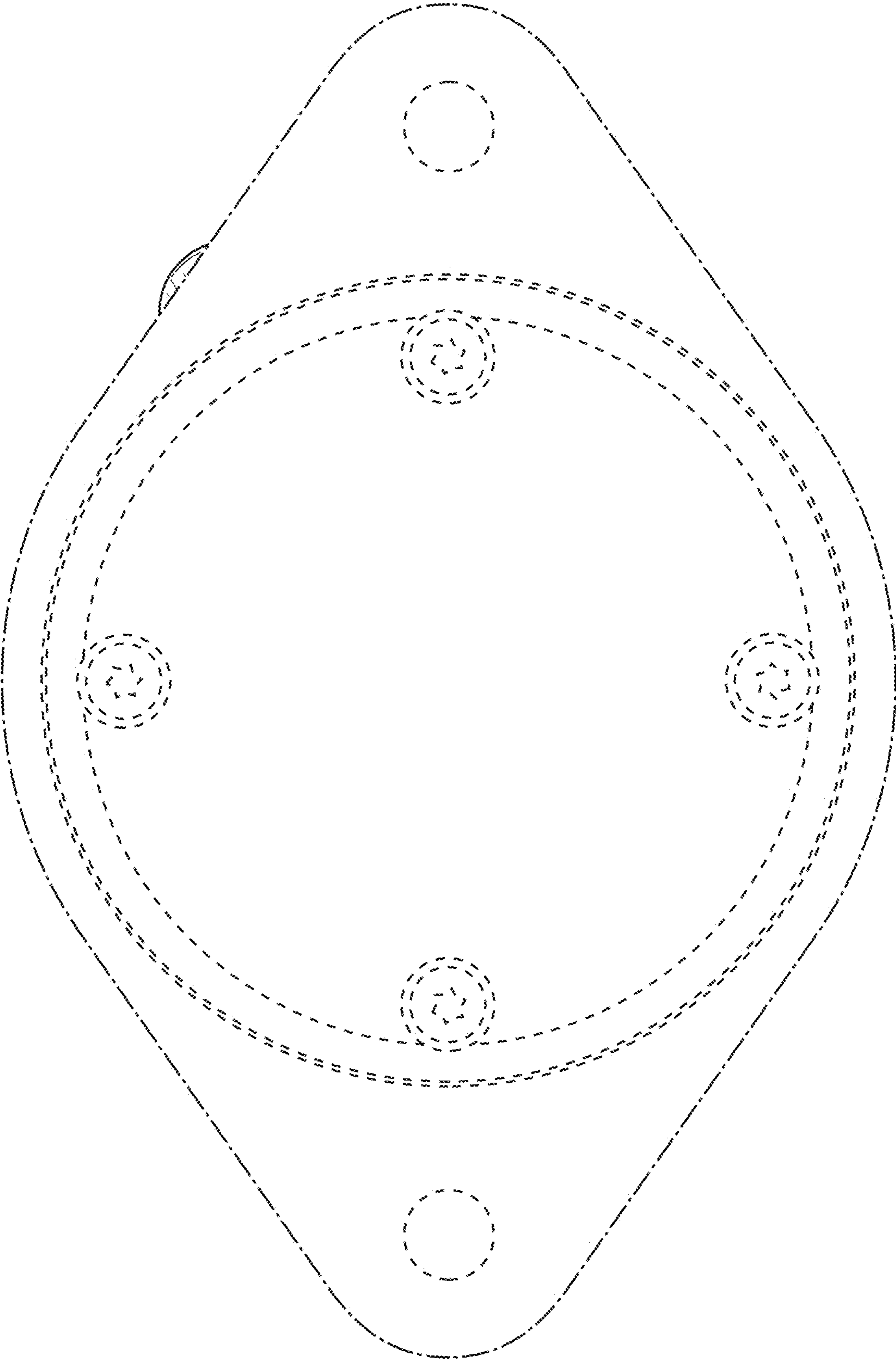
**FIG. 6**





**FIG. 7**





**FIG. 8**