



US00D881895S

(12) **United States Design Patent**
Liu

(10) **Patent No.:** **US D881,895 S**
(45) **Date of Patent:** **** Apr. 21, 2020**

(54) **TABLET COVER**

(71) Applicant: **Yongguo Liu**, Guangdong (CN)

(72) Inventor: **Yongguo Liu**, Guangdong (CN)

(**) Term: **15 Years**

(21) Appl. No.: **29/716,066**

(22) Filed: **Dec. 6, 2019**

(51) **LOC (12) Cl.** **14-02**

(52) **U.S. Cl.**
USPC **D14/440**

(58) **Field of Classification Search**
USPC D14/440, 250, 447; 206/45.23, 320,
206/45.2; 361/679.55; 294/25; 224/218
CPC ... G06F 1/1628; G06F 1/1626; A47B 23/044;
H04B 1/3888
See application file for complete search history.

(56) **References Cited**

U.S. PATENT DOCUMENTS

D667,831 S *	9/2012	Stravitz	D14/447
D696,256 S *	12/2013	Piedra	D14/440
D696,669 S *	12/2013	Akana	D14/440
D700,611 S *	3/2014	Boldetti	D14/440
D709,510 S	7/2014	Soare		
D719,169 S *	12/2014	McBroom	D14/440
8,905,231 B2 *	12/2014	Couch, III	A45C 11/00 206/320
8,960,421 B1 *	2/2015	Diebel	G06F 1/1679 206/320
D723,568 S *	3/2015	Kim	D14/440
D724,090 S *	3/2015	Kim	D14/440
D727,916 S *	4/2015	Melmon	D14/440
D727,919 S *	4/2015	Melmon	D14/440
D729,253 S *	5/2015	Nyholm	D14/440
D733,152 S *	6/2015	Sirichai	D14/440
D734,340 S *	7/2015	Kim	D14/440
9,095,194 B2 *	8/2015	Hassett	A45C 11/00
D744,489 S *	12/2015	Sirichai	D14/440

D744,492 S *	12/2015	Lin	G06F 1/1632 D14/440
D753,648 S *	4/2016	Shyu	D14/315
9,307,062 B2 *	4/2016	Kim	H04M 1/04
D764,472 S *	8/2016	Corcoran	D14/440
D772,880 S *	11/2016	Corcoran	D14/440
9,489,054 B1 *	11/2016	Sumsion	G06F 3/0208
D773,470 S *	12/2016	Akana	D14/440
D779,485 S *	2/2017	Akana	D14/345
9,578,941 B2 *	2/2017	MacLachlan	F16M 11/38
D789,342 S *	6/2017	Sirichai	D14/250
D792,887 S *	7/2017	Zhang	D14/440
9,717,314 B2 *	8/2017	Idehara	A45C 11/00

(Continued)

Primary Examiner — Cynthia R Underwood

(74) *Attorney, Agent, or Firm* — Jie Yang; ZANIP

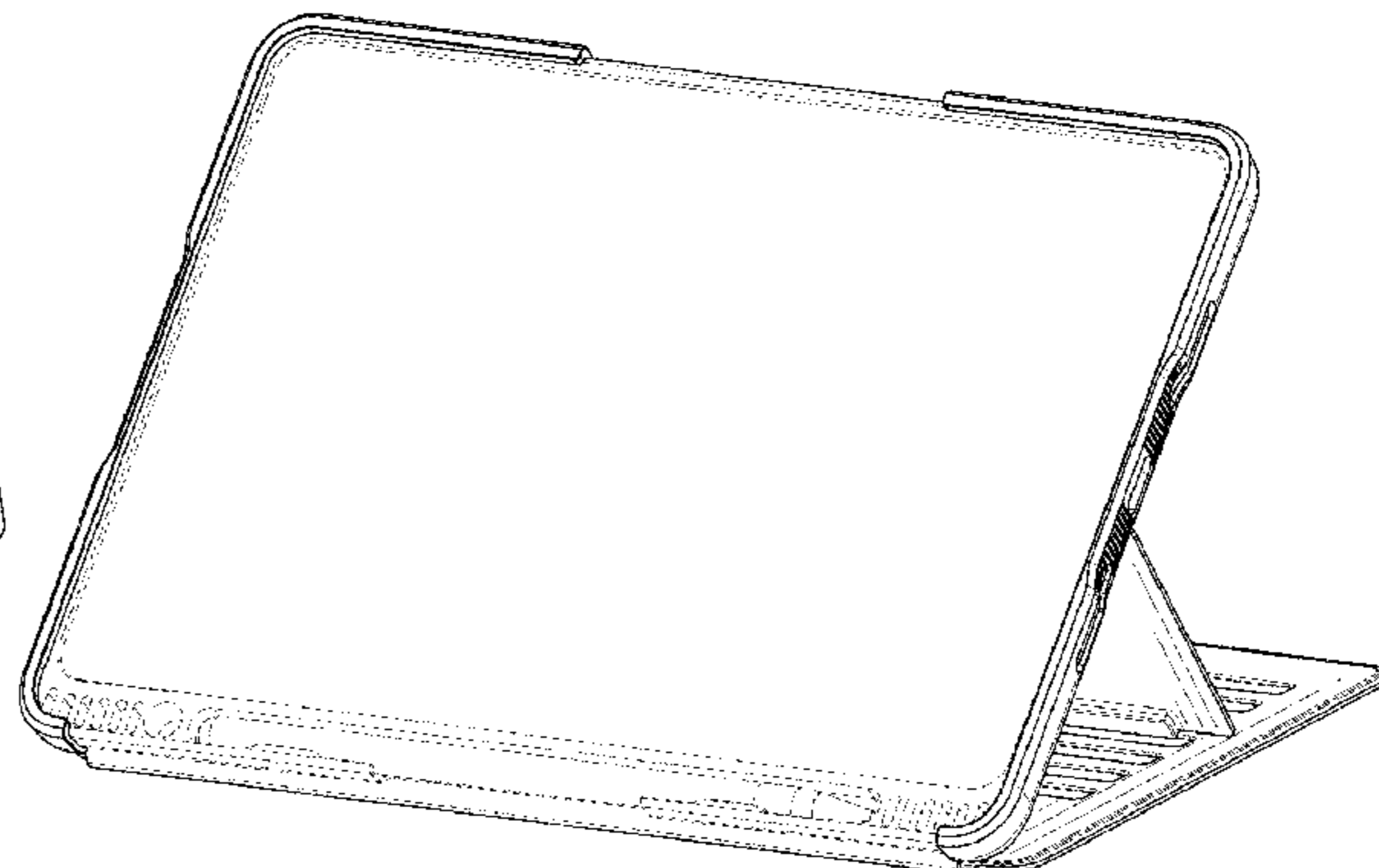
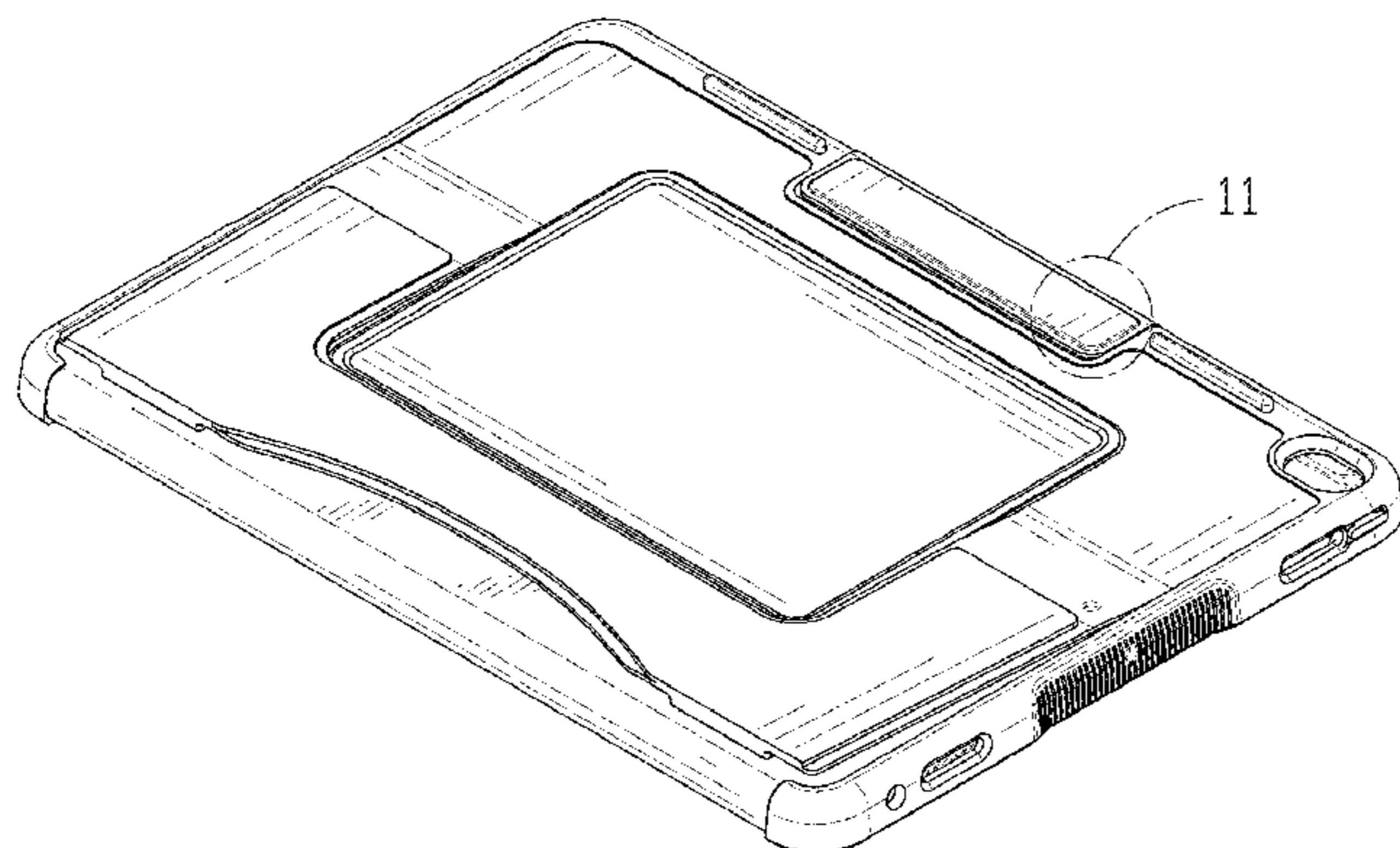
(57) **CLAIM**

The ornamental design for a tablet cover, as shown and described.

DESCRIPTION

FIG. 1 is a front and top perspective view of a tablet cover, showing my new design;
 FIG. 2 is a rear and bottom perspective view thereof;
 FIG. 3 is a front elevational view thereof;
 FIG. 4 is a rear elevational view thereof;
 FIG. 5 is a left side elevational view thereof;
 FIG. 6 is a right side elevational view thereof;
 FIG. 7 is a top plan view thereof;
 FIG. 8 is a bottom plan view thereof;
 FIG. 9 is perspective view of the tablet cover showing the tablet cover in a use status;
 FIG. 10 is an enlarged view of a portion indicated in FIG. 1; and,
 FIG. 11 is an enlarged view of a portion indicated in FIG. 2.
 The broken lines in the figures illustrate portions of the tablet cover that form no part of the claimed design.

1 Claim, 11 Drawing Sheets



(56)

References Cited

U.S. PATENT DOCUMENTS

D807,363 S * 1/2018 Hallier D14/440
 D807,365 S * 1/2018 Liu D14/440
 D807,892 S * 1/2018 Wang D14/440
 D808,394 S * 1/2018 Lakraa D14/440
 D808,395 S * 1/2018 Fenton D14/440
 D811,390 S * 2/2018 Kim D14/345
 D811,411 S * 2/2018 Moore D14/440
 D819,038 S * 5/2018 Diebel D14/440
 D820,839 S * 6/2018 Akana D14/345
 D822,675 S * 7/2018 Zhu D14/455
 D832,270 S * 10/2018 Cheng D14/440
 D875,102 S * 2/2020 Gao D14/440
 2007/0057140 A1 * 3/2007 Liou F16M 11/10
 2008/0029412 A1 * 2/2008 Ho A47B 21/0314
 2008/0167095 A1 * 7/2008 Kim H04M 1/0216
 2009/0159763 A1 * 6/2009 Kim F16M 13/00
 2009/0178938 A1 * 7/2009 Palmer A45C 5/03
 2009/0194209 A1 * 8/2009 De Filippis A45C 11/00
 2009/0201254 A1 * 8/2009 Rais G06F 1/1613
 2010/0294909 A1 * 11/2010 Hauser A47B 23/043

2010/0300909 A1 * 12/2010 Hung H04M 1/04
 2011/0227463 A1 * 9/2011 Hou A45C 9/00
 2011/0266194 A1 * 11/2011 Bau A45C 11/00
 2011/0290687 A1 * 12/2011 Han A45C 3/02
 2011/0297566 A1 * 12/2011 Gallagher F16M 11/105
 2012/0140396 A1 * 6/2012 Zelif G06F 1/1628
 2013/0140194 A1 * 6/2013 Han G06F 1/1656
 2013/0233762 A1 * 9/2013 Balaji B65D 25/00
 2013/0264459 A1 * 10/2013 McCosh G06F 1/1626
 2014/0291175 A1 * 10/2014 Chung G06F 1/1656
 2015/0296060 A1 * 10/2015 Gu H04M 1/0235
 2015/0296068 A1 * 10/2015 Chin G06F 1/1628
 2016/0011628 A1 * 1/2016 Sato G06F 1/1656
 2016/0187937 A1 * 6/2016 Ahee G06F 1/1681

* cited by examiner

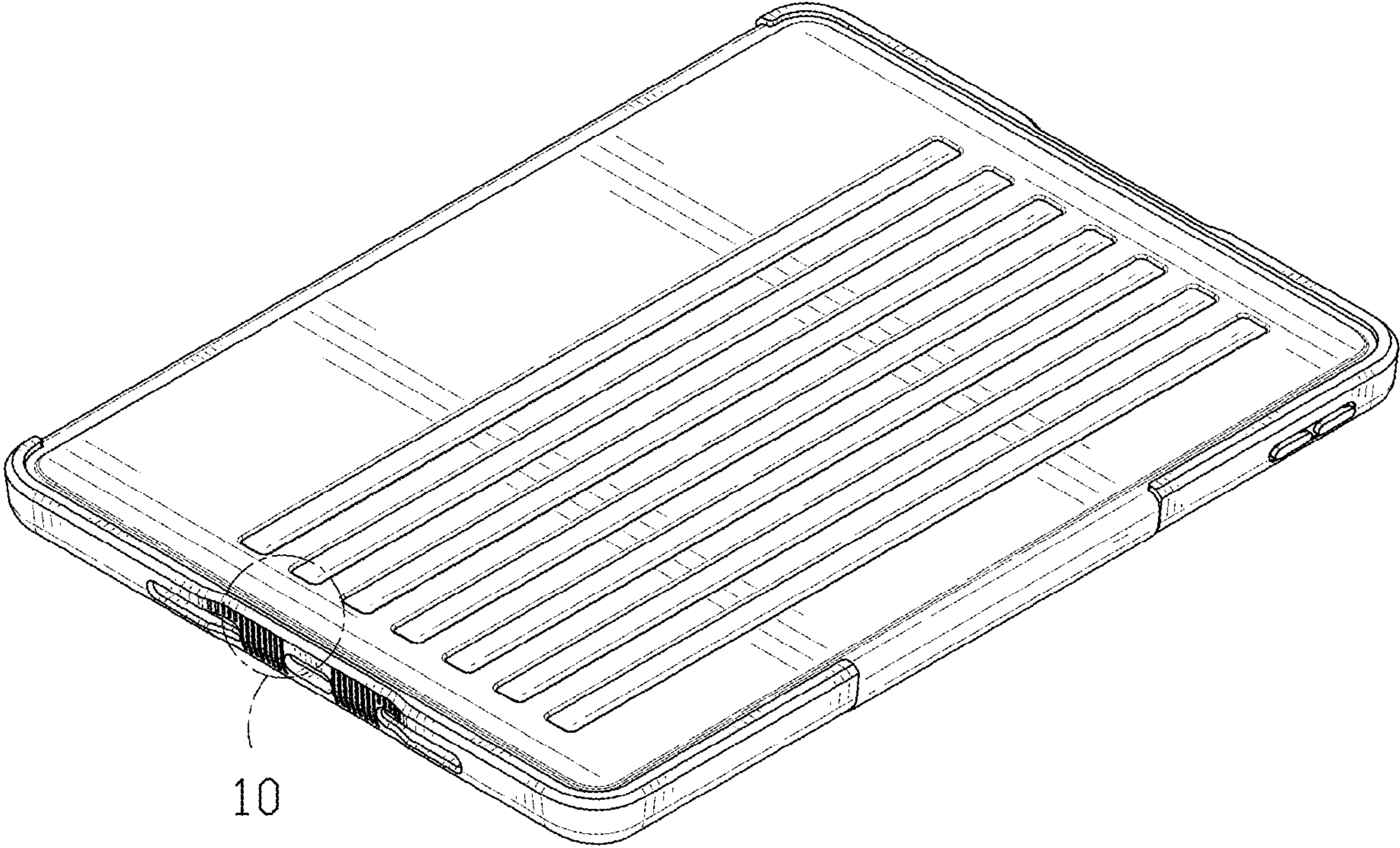


FIG. 1

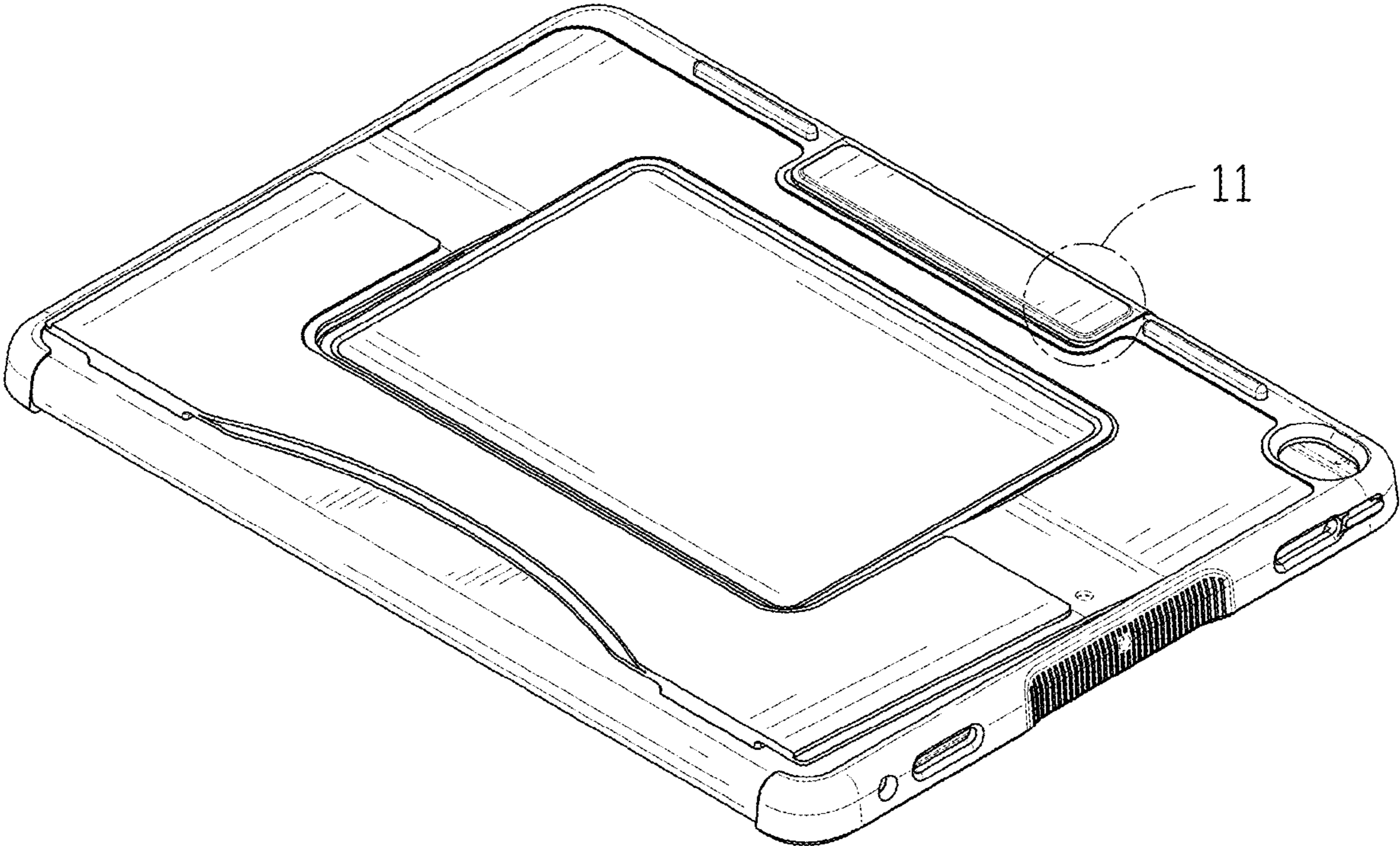


FIG. 2

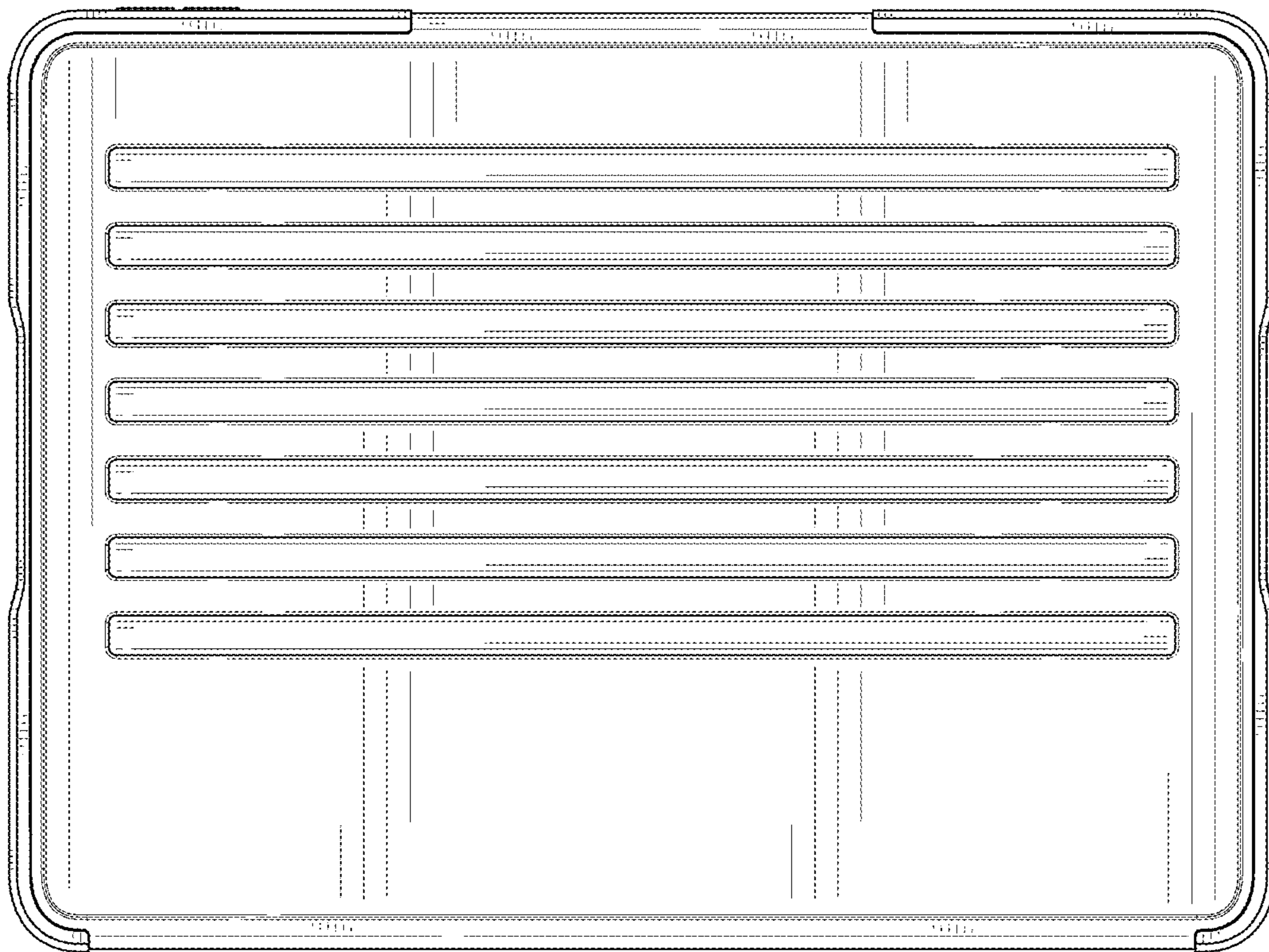


FIG. 3

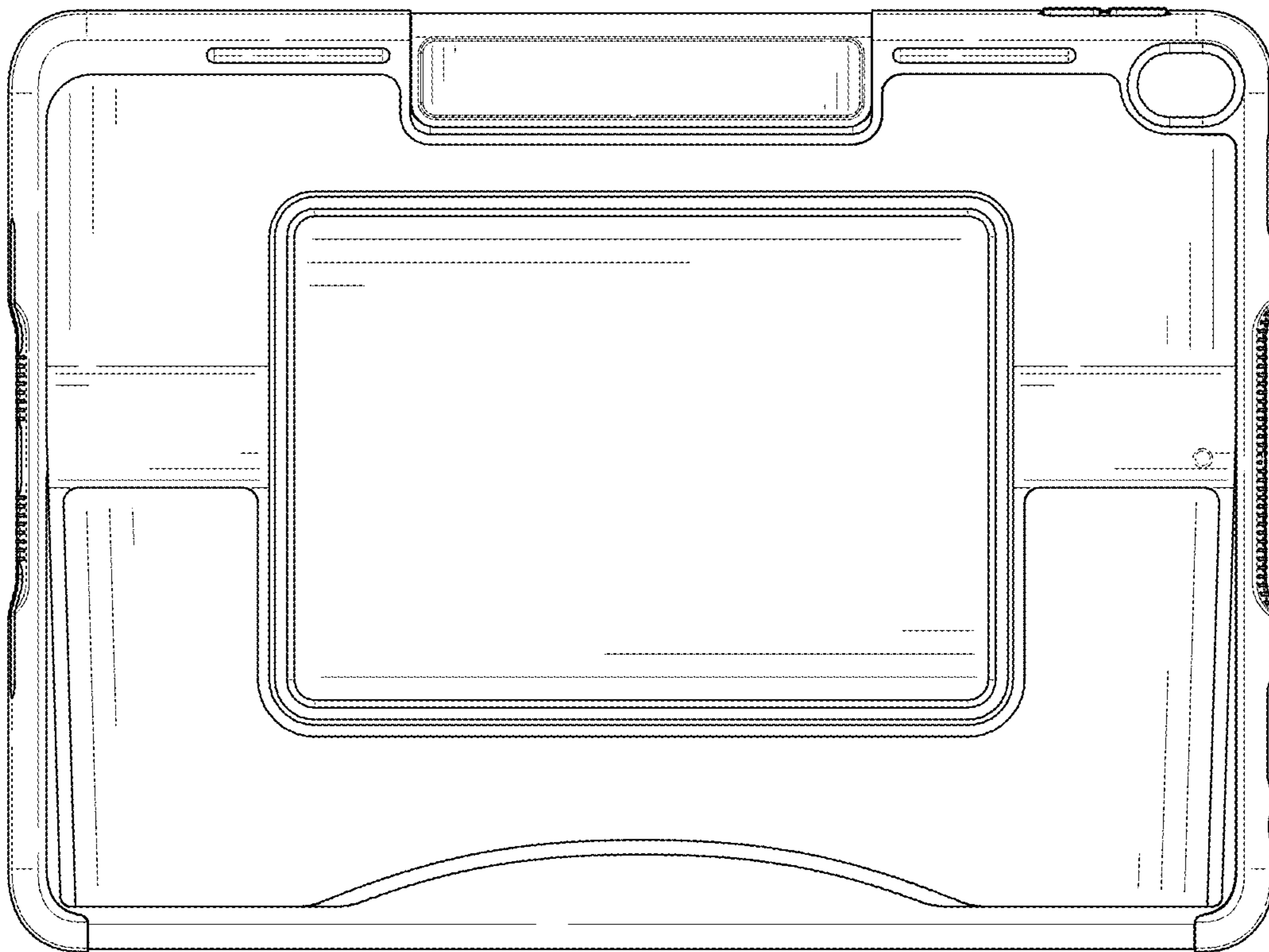


FIG. 4

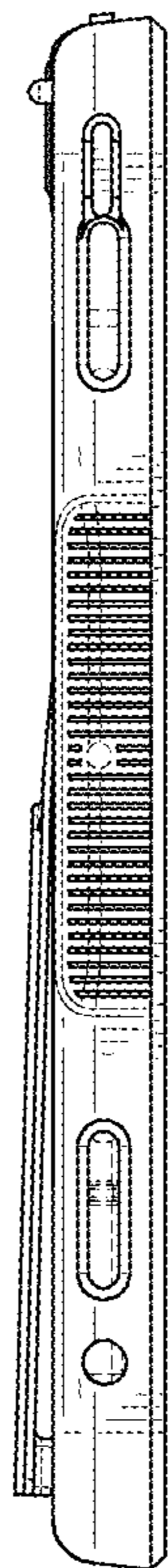


FIG. 5

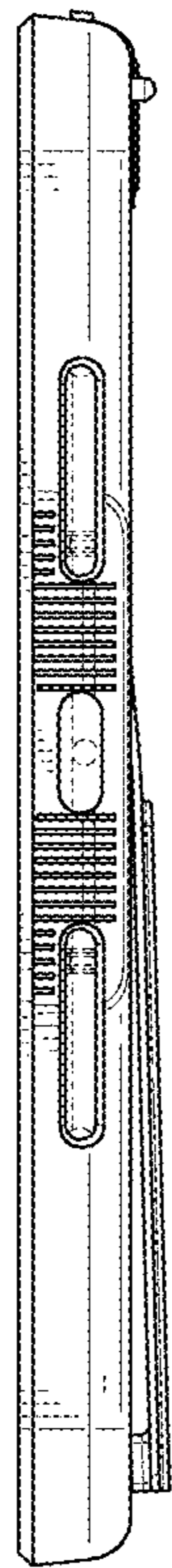


FIG. 6

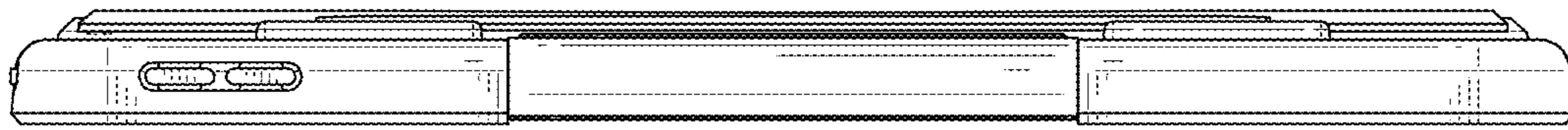


FIG. 7



FIG. 8



FIG. 9

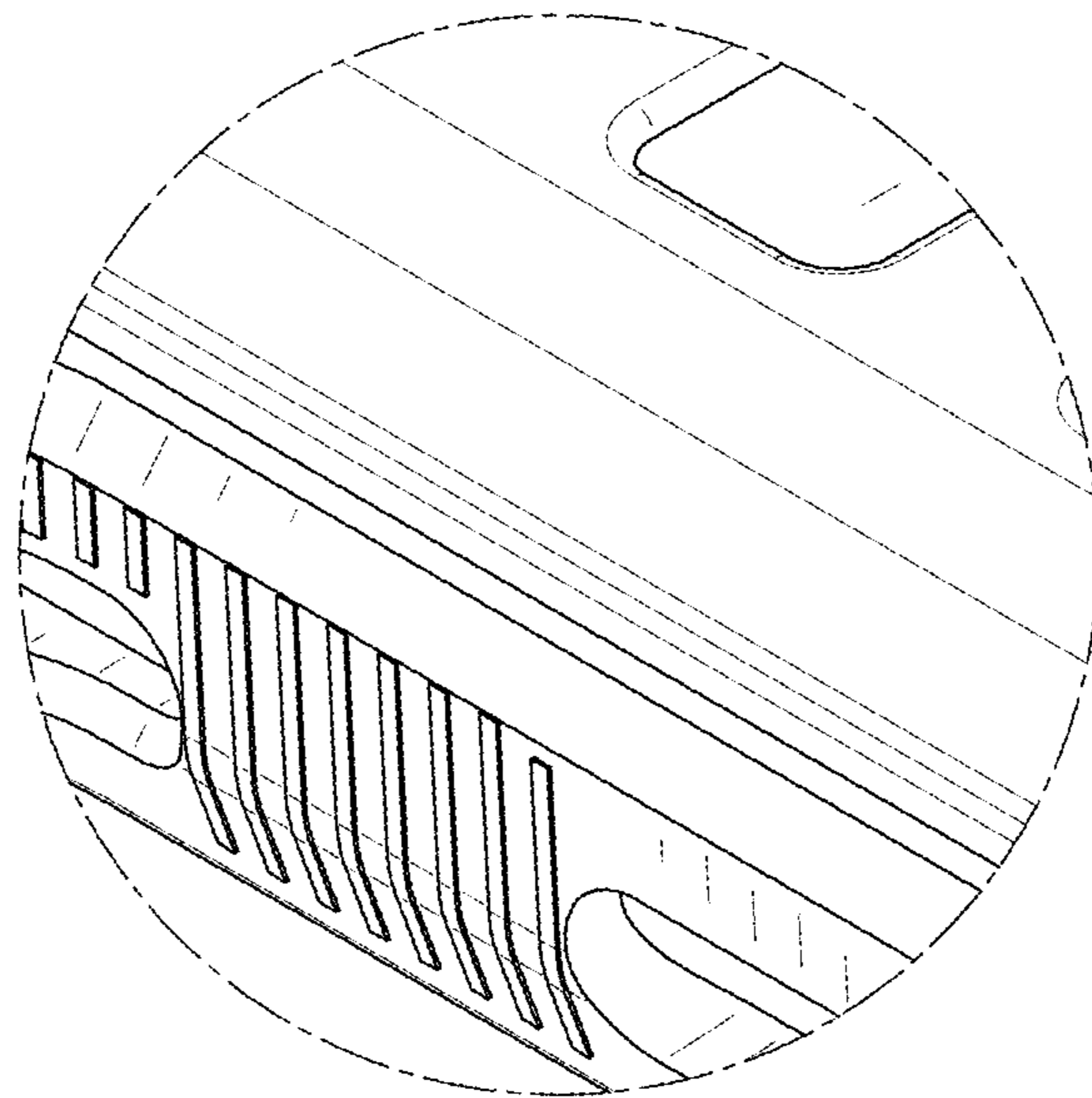


FIG. 10

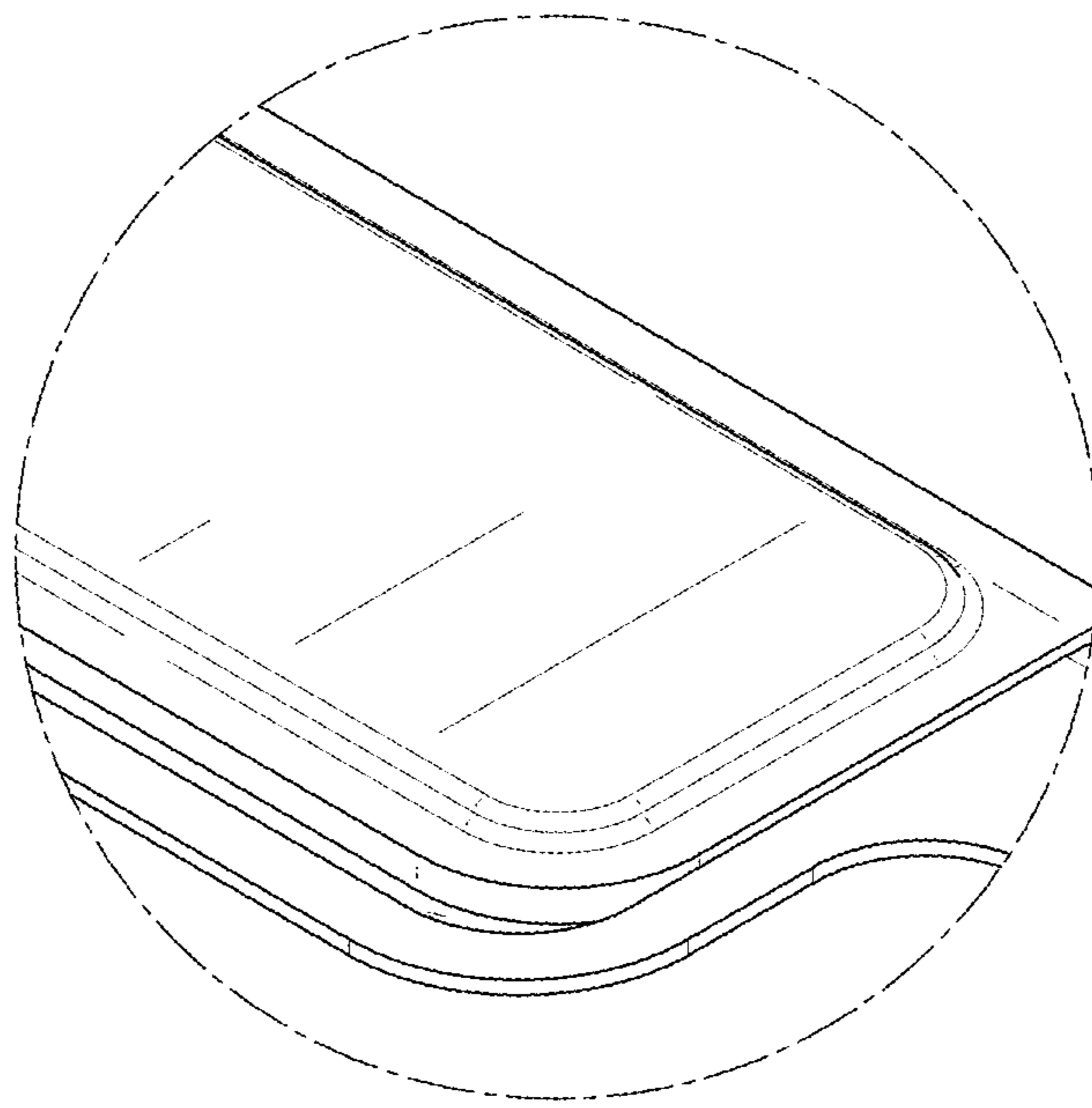


FIG. 11