



US00D881894S

(12) **United States Design Patent**
Zhang

(10) **Patent No.:** **US D881,894 S**

(45) **Date of Patent:** **** Apr. 21, 2020**

(54) **PROTECTIVE CASE FOR TABLET
COMPUTER**

(71) Applicant: **Dingcong Zhang**, Hainan Province
(CN)

(72) Inventor: **Dingcong Zhang**, Hainan Province
(CN)

(**) Term: **15 Years**

(21) Appl. No.: **29/677,426**

(22) Filed: **Jan. 21, 2019**

(30) **Foreign Application Priority Data**

Aug. 17, 2018 (CN) 2018 3 0458375

(51) **LOC (12) Cl.** **14-02**

(52) **U.S. Cl.**
USPC **D14/440**

(58) **Field of Classification Search**
USPC D14/440, 447, 250; 206/45.23, 320,
206/45.2; 361/679.55; 294/25; 224/218
CPC G06F 1/626; H04B 1/3555; H05K 5/0217
See application file for complete search history.

(56) **References Cited**

U.S. PATENT DOCUMENTS

D689,056 S *	9/2013	Li	D14/440
D690,704 S *	10/2013	Padilla	D14/440
D727,917 S *	4/2015	Yeo	D14/440
D733,154 S *	6/2015	Armstrong	D14/440
D752,052 S *	3/2016	Park	D14/440
D763,853 S *	8/2016	Pearce	D14/440
D766,249 S *	9/2016	Veltz	D14/440
D784,350 S *	4/2017	Li	D14/440
D790,550 S *	6/2017	Chen	D14/440
D803,221 S *	11/2017	Guo	D14/440
D806,080 S *	12/2017	Chen	D14/440
D807,366 S *	1/2018	Chen	D14/440

D807,369 S *	1/2018	Chen	D14/440
D808,973 S *	1/2018	Chen	D14/440
D811,412 S *	2/2018	McCurdy	D14/440
D812,620 S *	3/2018	Cheng	D14/440
D821,405 S *	6/2018	Chen	D14/440
D852,200 S *	6/2019	Chan	D14/440
D854,022 S *	7/2019	Chen	D14/440
D860,212 S *	9/2019	Ahn	D14/440
D862,442 S *	10/2019	Wei	D14/250
D862,478 S *	10/2019	Ahn	D14/440
D862,479 S *	10/2019	Ahn	D14/440
D862,480 S *	10/2019	Chan	D14/440
2012/0075799 A1 *	3/2012	Pollex	F16M 11/041 361/679.56
2017/0045920 A1 *	2/2017	Armstrong	G06F 1/1669

* cited by examiner

Primary Examiner — Cynthia R Underwood

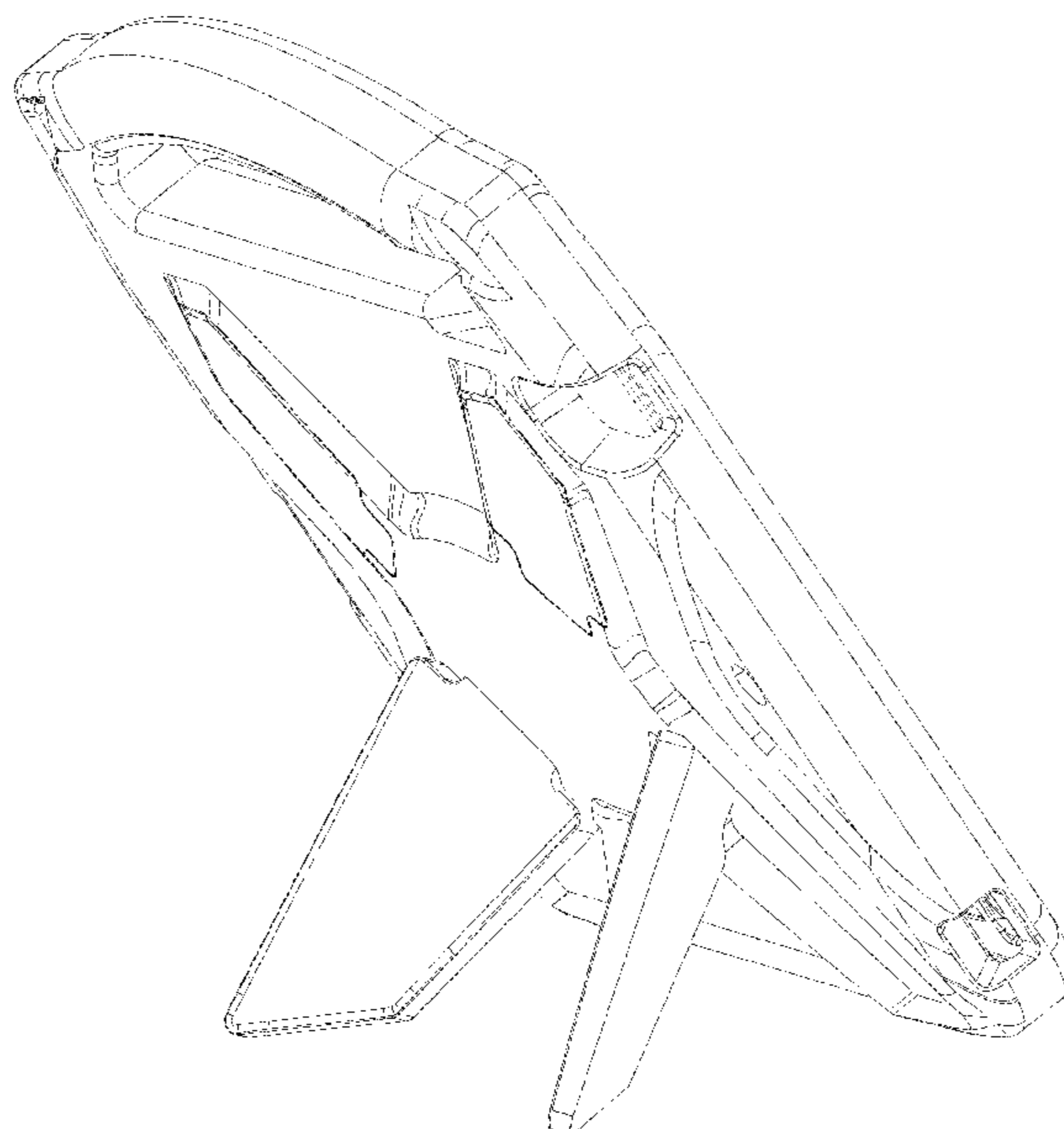
(57) **CLAIM**

The ornamental design for a protective case for tablet computer, as shown and described.

DESCRIPTION

FIG. 1 is a front elevational view of a protective case for tablet computer showing my new design; FIG. 2 is a rear elevational view thereof; FIG. 3 is a left side view thereof; FIG. 4 is a right side view thereof; FIG. 5 is a top plan view thereof; FIG. 6 is a bottom plan view thereof; FIG. 7 is a perspective view thereof; FIG. 8 is another perspective view thereof; FIG. 9 is a perspective view in the state of use thereof; FIG. 10 is a second perspective view in the state of use thereof; and, FIG. 11 is a third perspective view in the state of use thereof. The broken lines shown in protective case for tablet computer form no part of the claimed design.

1 Claim, 11 Drawing Sheets



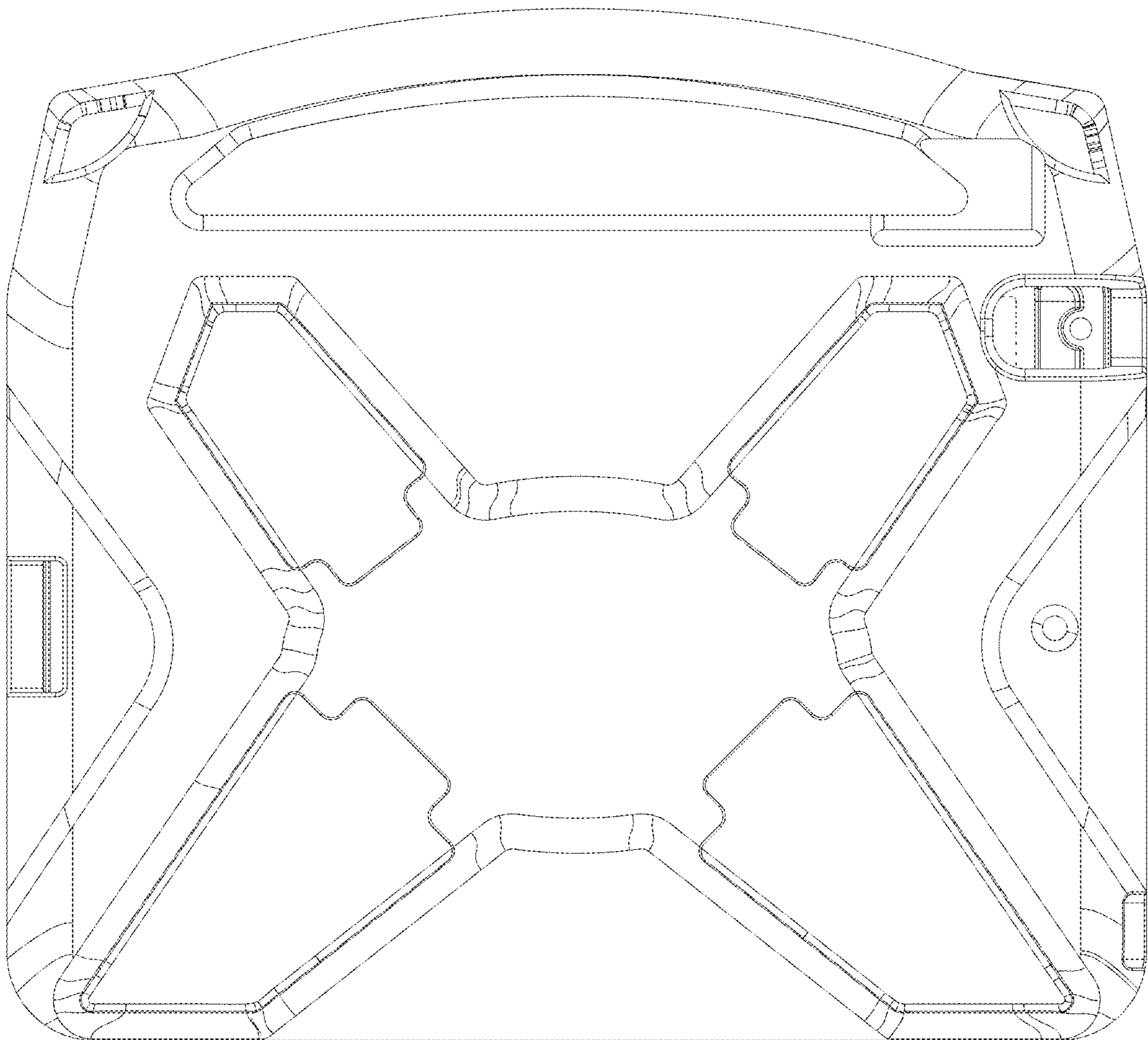


Fig. 1

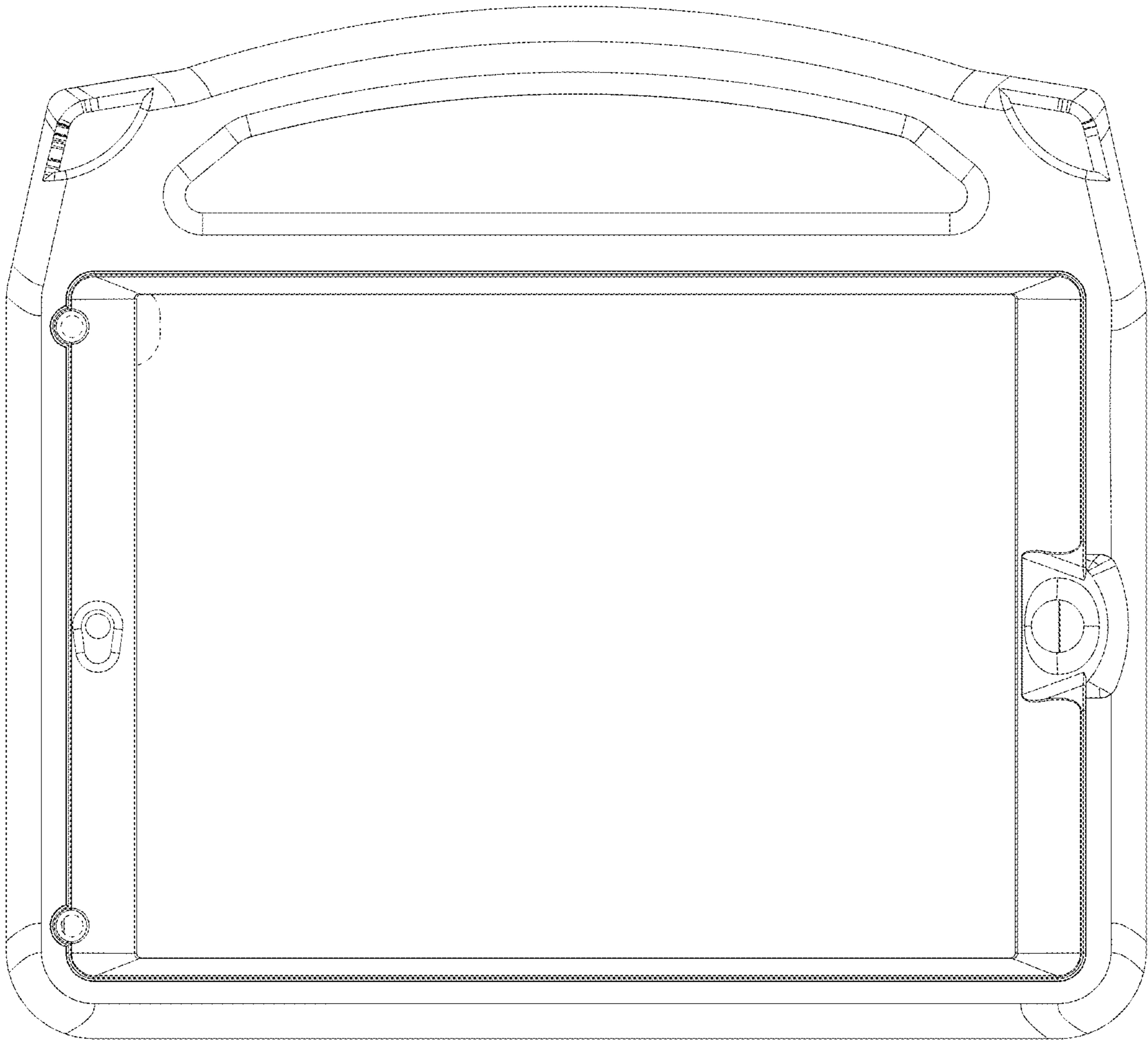


Fig. 2

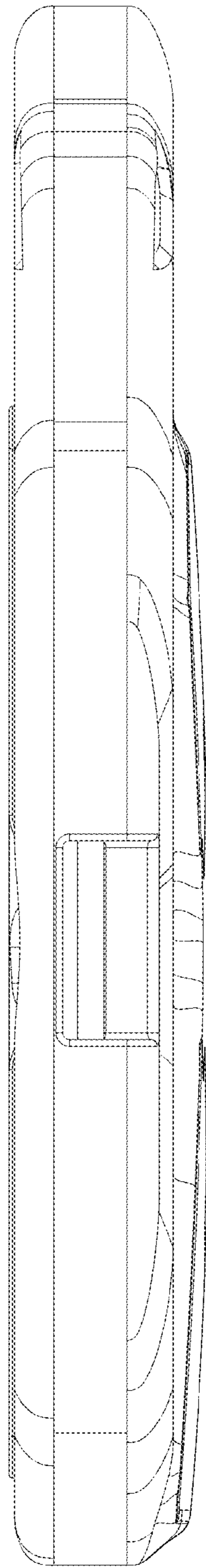


Fig. 3

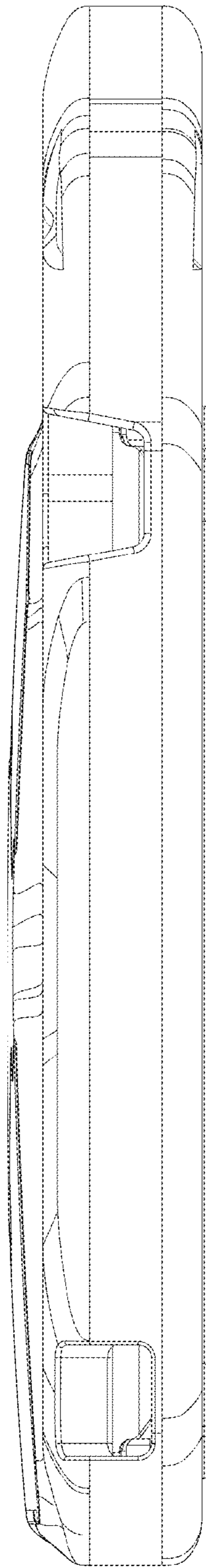


Fig. 4

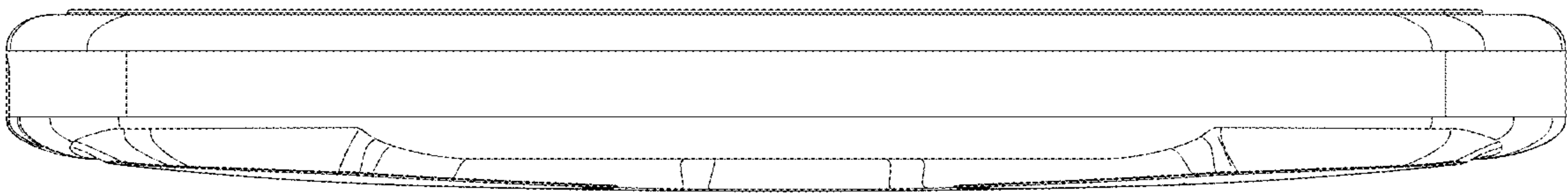


Fig. 5

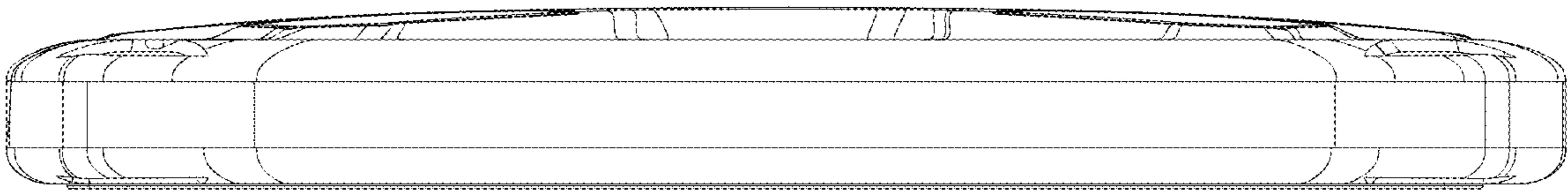


Fig. 6

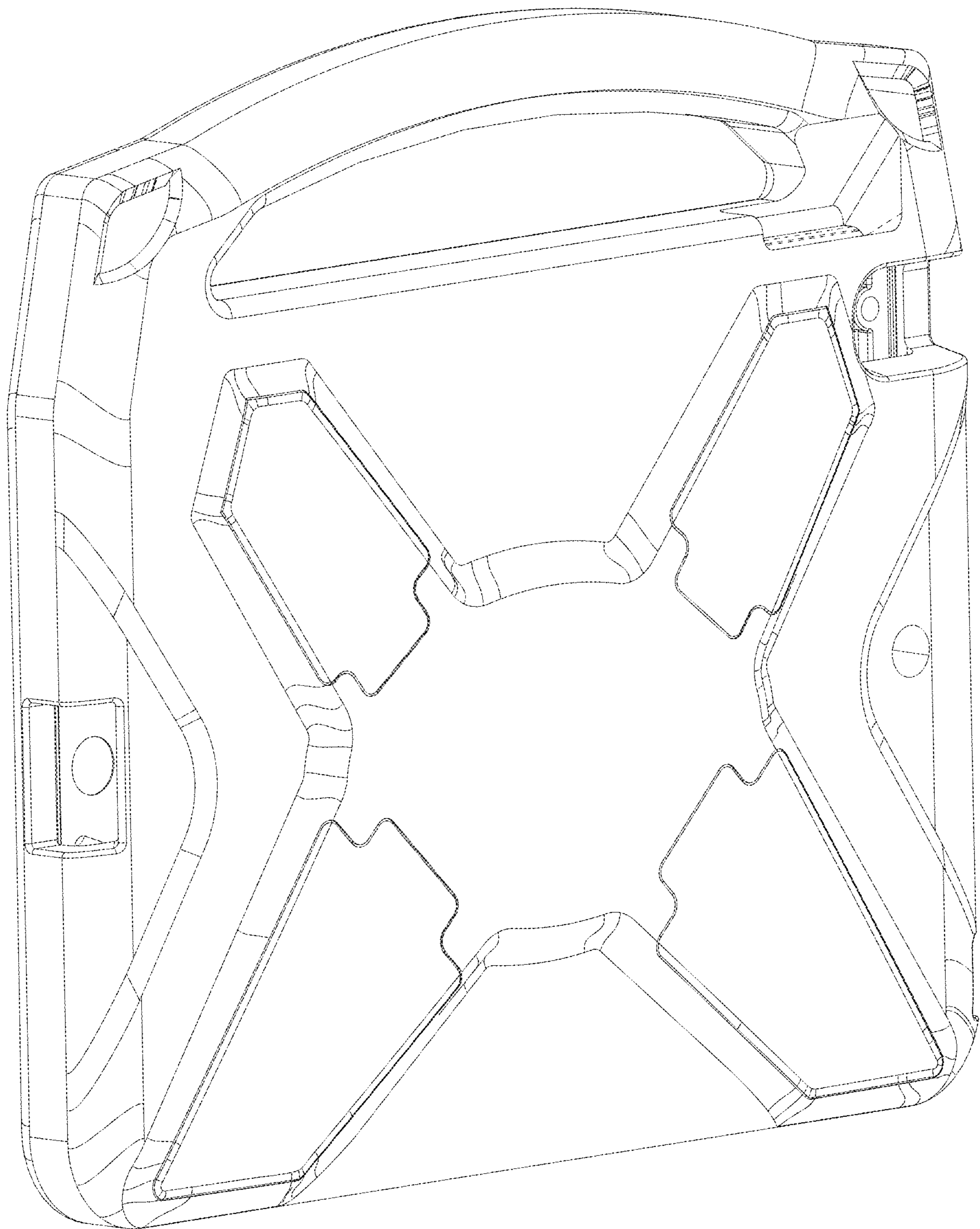


Fig. 7

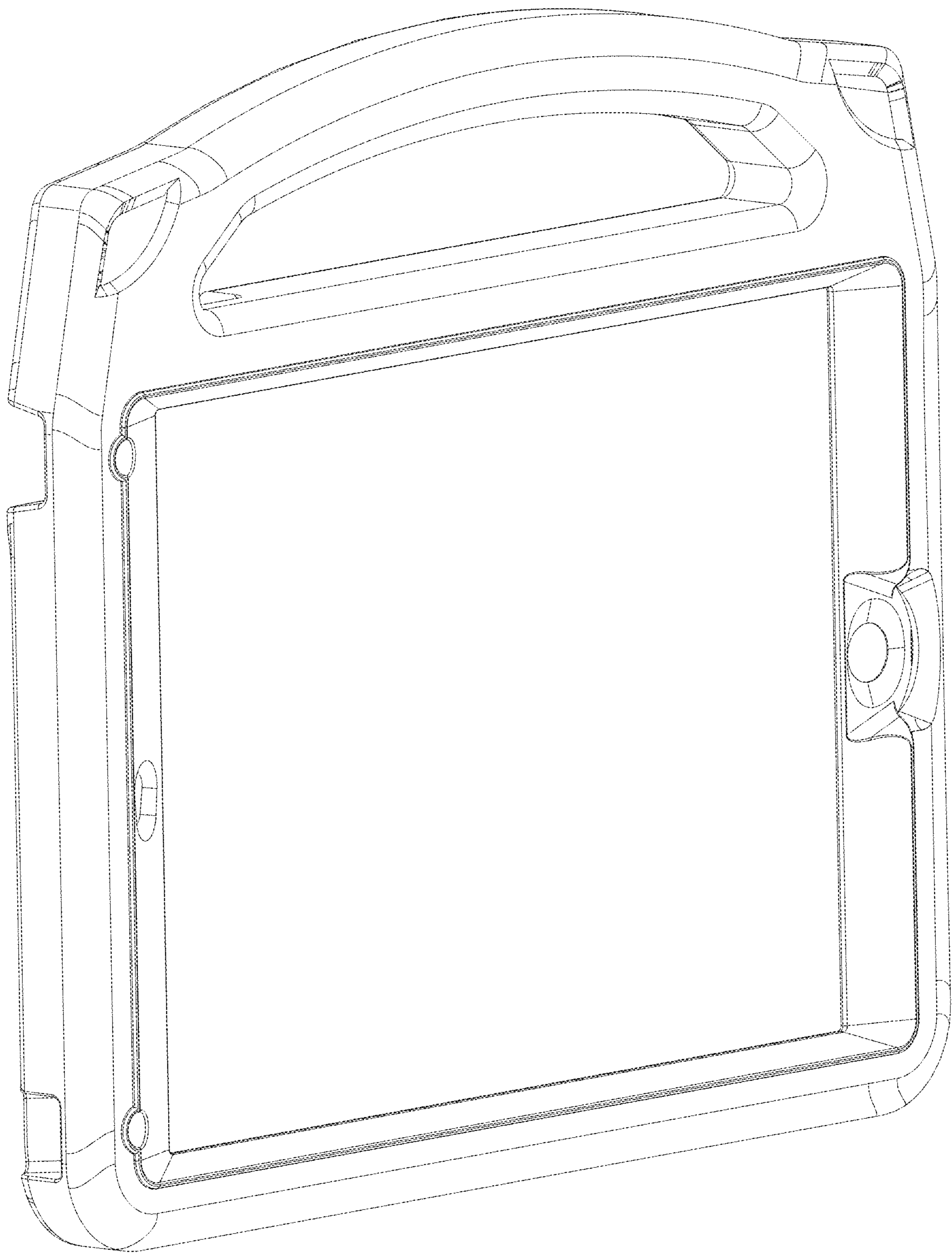


Fig. 8

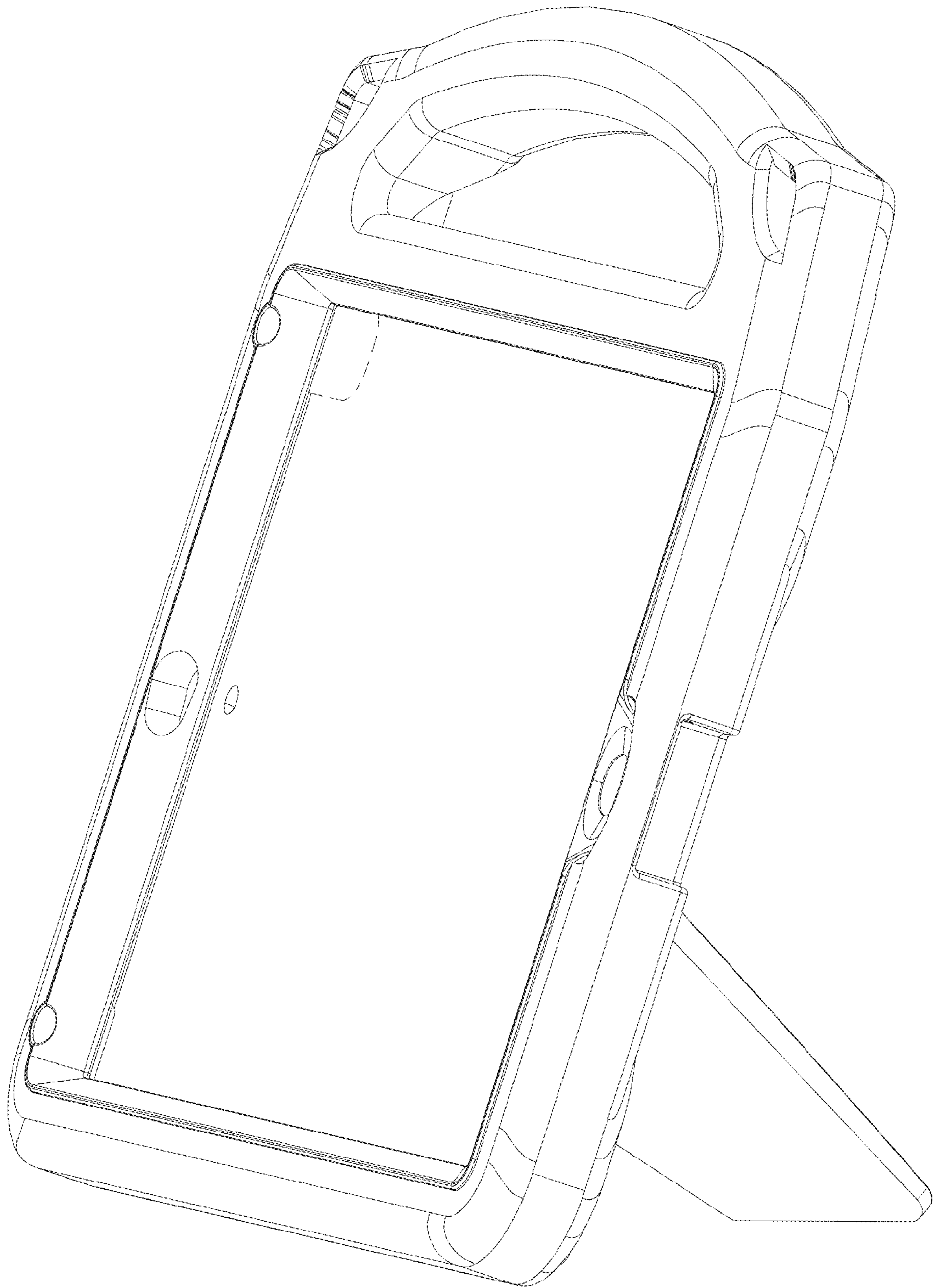


Fig. 9

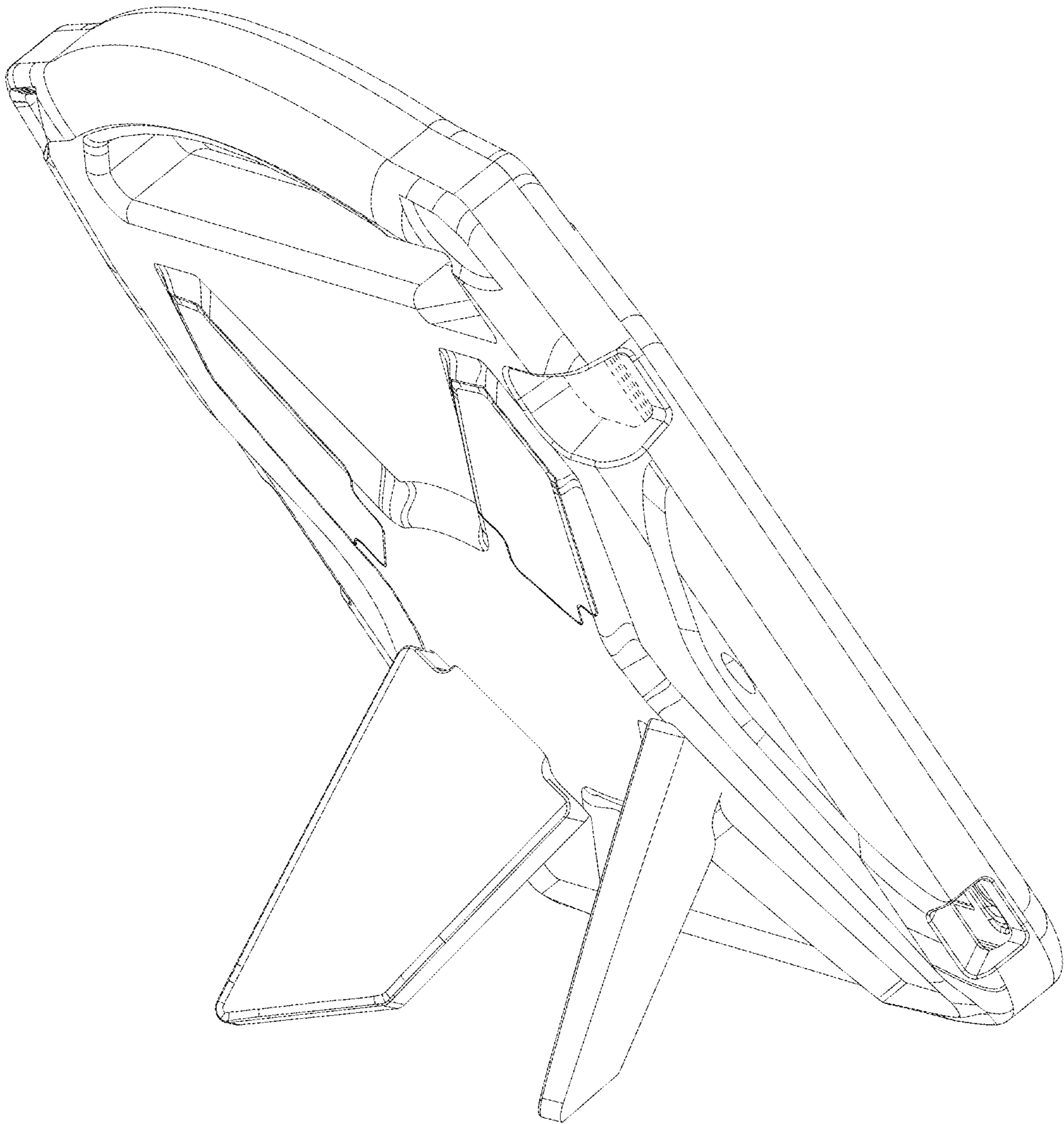


Fig. 10

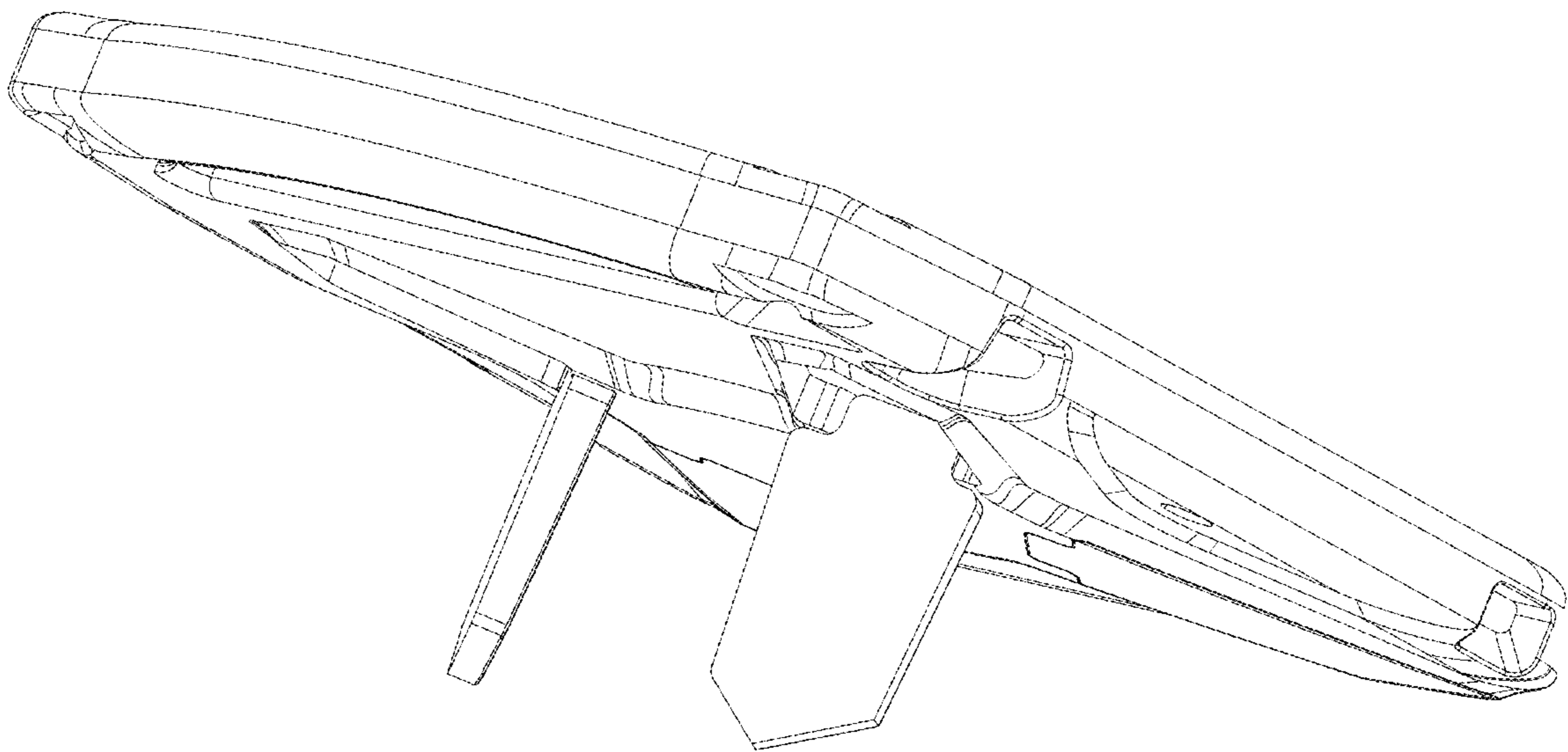


Fig. 11