



US00D881892S

(12) **United States Design Patent**
Mecchella

(10) **Patent No.:** **US D881,892 S**

(45) **Date of Patent:** **** Apr. 21, 2020**

(54) **DEVICE DOCK**

(71) Applicant: **Amazon Technologies, Inc.**, Seattle, WA (US)

(72) Inventor: **Monica Liane Mecchella**, San Francisco, CA (US)

(73) Assignee: **Amazon Technologies, Inc.**, Seattle, WA (US)

(**) Term: **15 Years**

(21) Appl. No.: **29/701,457**

(22) Filed: **Aug. 12, 2019**

Related U.S. Application Data

(62) Division of application No. 29/641,724, filed on Mar. 23, 2018, now Pat. No. Des. 857,019.

(51) **LOC (12) Cl.** **14-02**

(52) **U.S. Cl.**
USPC **D14/434; D14/447**

(58) **Field of Classification Search**
USPC D14/434, 432, 433, 440, 447, 251–253, D14/451, 452, 454, 140, 142, 149, 217, D14/240, 299, 496, 356, 357, 358, 209.1, D14/171; D13/103, 107, 108, 118, 119, D13/110, 123, 184; D21/333; D6/512, D6/672, 682

CPC G06F 1/1616; G06F 1/1626; G06F 1/1632; G06F 1/1688; G06F 13/00; H01M 10/44; F16M 11/10; F16M 11/20; H02J 7/0042; H02J 7/00; H02J 7/0027; H02J 7/0044; H02J 7/0045; H02J 7/355; H02J 7/025; H01R 31/065; H04R 1/025; H04R 5/04
See application file for complete search history.

(56) **References Cited**

U.S. PATENT DOCUMENTS

D400,851 S 11/1998 Culver
D512,066 S 11/2005 Solomon et al.

D516,562 S 3/2006 Solomon et al.
D558,165 S 12/2007 Leichter
D559,229 S 1/2008 Griffin et al.
7,349,206 B2 3/2008 Lin et al.
D607,813 S 1/2010 Zhu et al.
D637,583 S 5/2011 Beal et al.
D639,286 S 6/2011 Mohoney
D639,810 S 6/2011 Hwang et al.
D643,030 S 8/2011 Cheng et al.
D648,727 S 11/2011 Van Den Nieuwenhuizen et al.
D652,834 S 1/2012 Jones et al.
D665,812 S 8/2012 Huang et al.
D667,012 S 9/2012 Chen et al.
D673,961 S 1/2013 Matsui et al.

(Continued)

OTHER PUBLICATIONS

Indian Office Action dated Oct. 3, 2018, for Indian Patent Application No. 310096, a counterpart foreign patent application of the U.S. Appl. No. 29/641,724, 2 pages.

Primary Examiner — Marie D. Fast Horse
(74) *Attorney, Agent, or Firm* — Lee & Hayes, P.C.

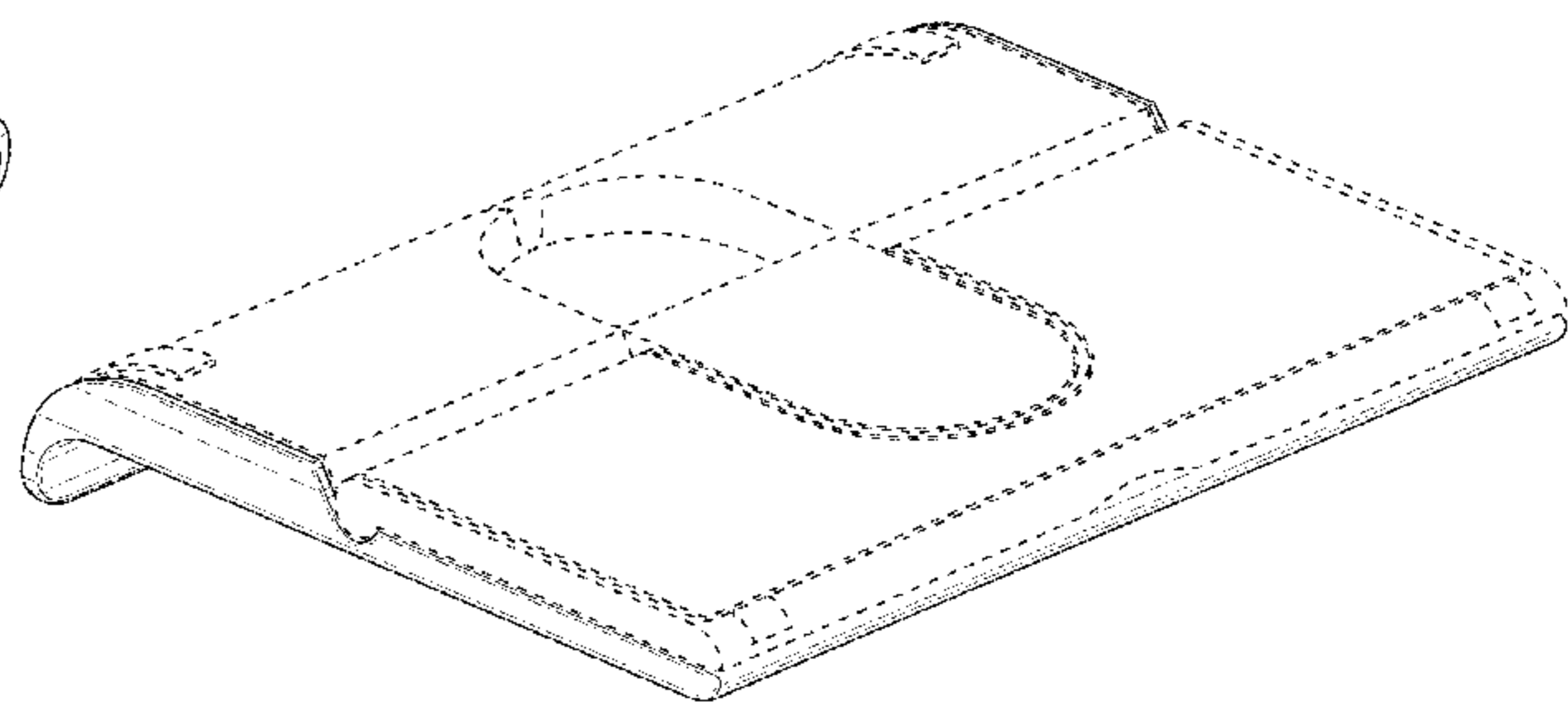
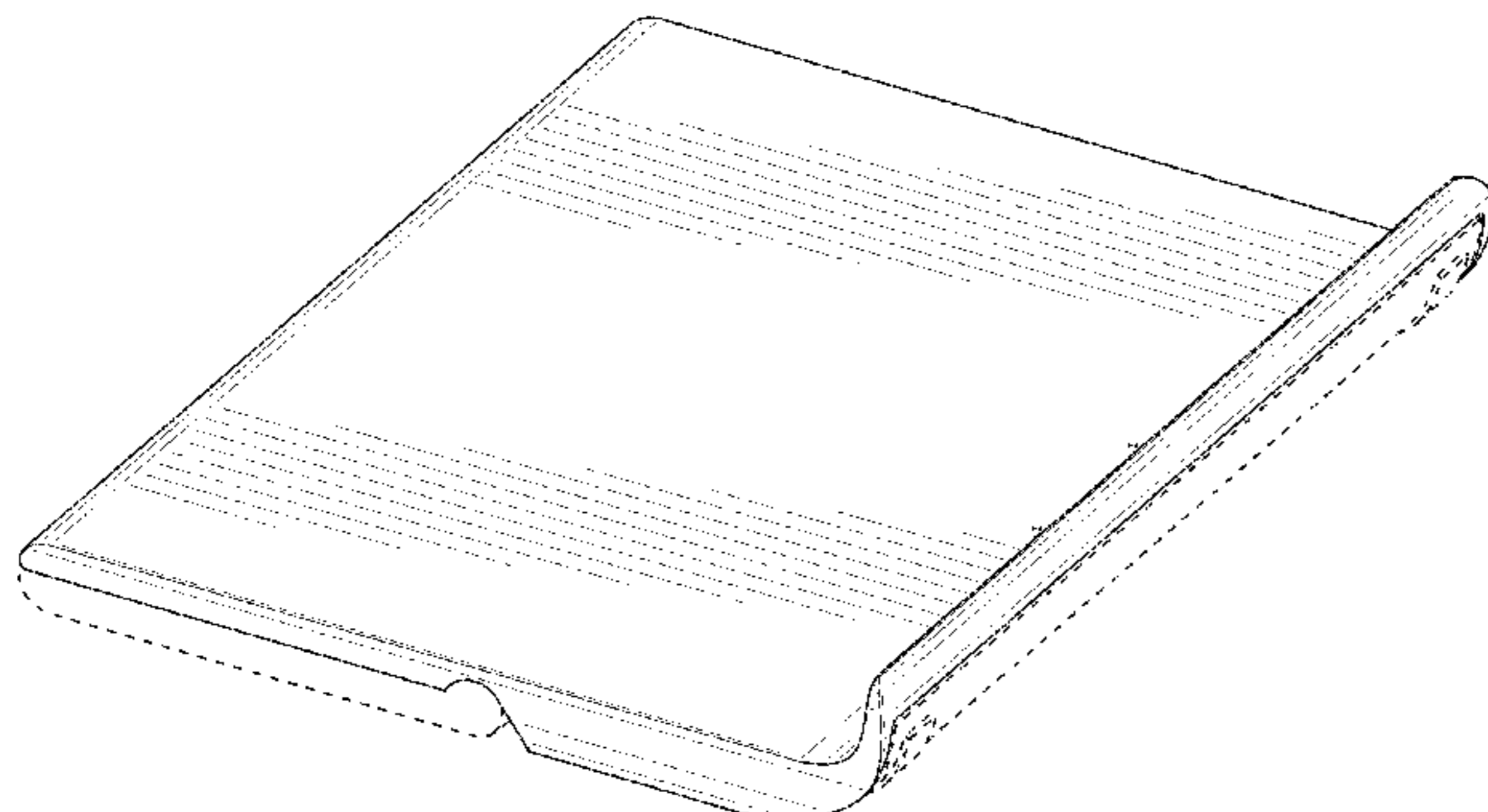
(57) **CLAIM**

The ornamental design for a device dock, as shown and described.

DESCRIPTION

FIG. 1 is a front perspective view of a device dock; FIG. 2 is a back perspective view thereof; FIG. 3 is a front view thereof; FIG. 4 is a back view thereof; FIG. 5 is a right-side view thereof; FIG. 6 is a left-side view thereof; FIG. 7 is a top view thereof; and, FIG. 8 is a bottom view thereof.
The broken lines depict portions of the device dock that form no part of the claimed design.

1 Claim, 8 Drawing Sheets



(56)

References Cited

U.S. PATENT DOCUMENTS

D674,337 S	1/2013	Au Yeung			
D682,550 S	5/2013	Chun			
D690,647 S	10/2013	Huang et al.			
D697,477 S	1/2014	Jonas, III			
D703,133 S	4/2014	Ireland et al.			
D703,213 S	4/2014	Gifford et al.			
D714,793 S	10/2014	Kim et al.			
D715,804 S	10/2014	Frenzel			
D727,915 S	4/2015	Mecchella et al.			
D728,579 S	5/2015	Mecchella et al.			
D741,846 S	10/2015	Jeon et al.			
D742,888 S	11/2015	Mecchella et al.			
D742,890 S	11/2015	Mecchella et al.			
D743,955 S	11/2015	Wu			
D749,508 S	2/2016	Ireland et al.			
D755,292 S	5/2016	Sirotych et al.			
D756,365 S	5/2016	Huang et al.			
D769,880 S	10/2016	Moore et al.			
D776,121 S	1/2017	Mecchella et al.			
D783,598 S *	4/2017	Bai	D14/315	
D783,599 S	4/2017	Bai et al.			
D787,441 S	5/2017	Lee et al.			
D797,109 S	9/2017	Pisapia			
D810,088 S	2/2018	Moore et al.			
D810,091 S	2/2018	Cho et al.			
D810,750 S	2/2018	Chang et al.			
D828,360 S	9/2018	Moore et al.			
D828,842 S	9/2018	Mecchella et al.			
D832,268 S	10/2018	Mecchella et al.			
10,114,416 B1	10/2018	D'Penha et al.			
D832,851 S	11/2018	Mecchella et al.			
D833,446 S	11/2018	Elder			
D836,720 S	12/2018	Kang			
D839,275 S *	1/2019	Moore	D14/440	
D847,140 S *	4/2019	Chapuis	D14/440	
D848,438 S *	5/2019	Mecchella	D14/440	
D850,458 S *	6/2019	Moore	D14/440	
D854,546 S *	7/2019	Mecchella	D14/440	
D857,019 S *	8/2019	Mecchella	D14/434	
D863,219 S *	10/2019	Chen	D13/108	
2005/0206615 A1	9/2005	Tanimoto et al.			
2006/0250767 A1	11/2006	Brophy et al.			
2018/0252003 A1	9/2018	Klinkman et al.			

* cited by examiner

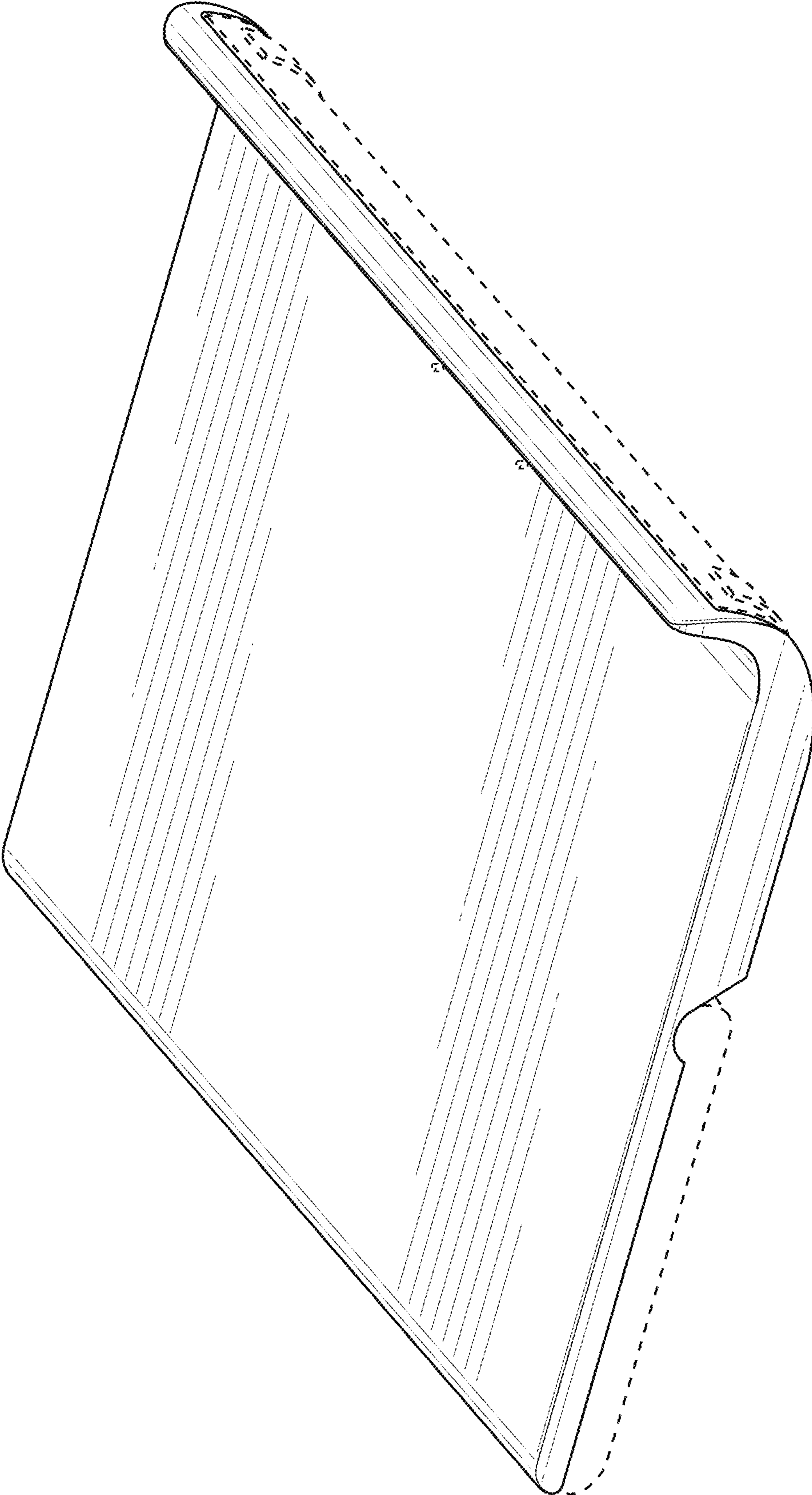


FIG. 1

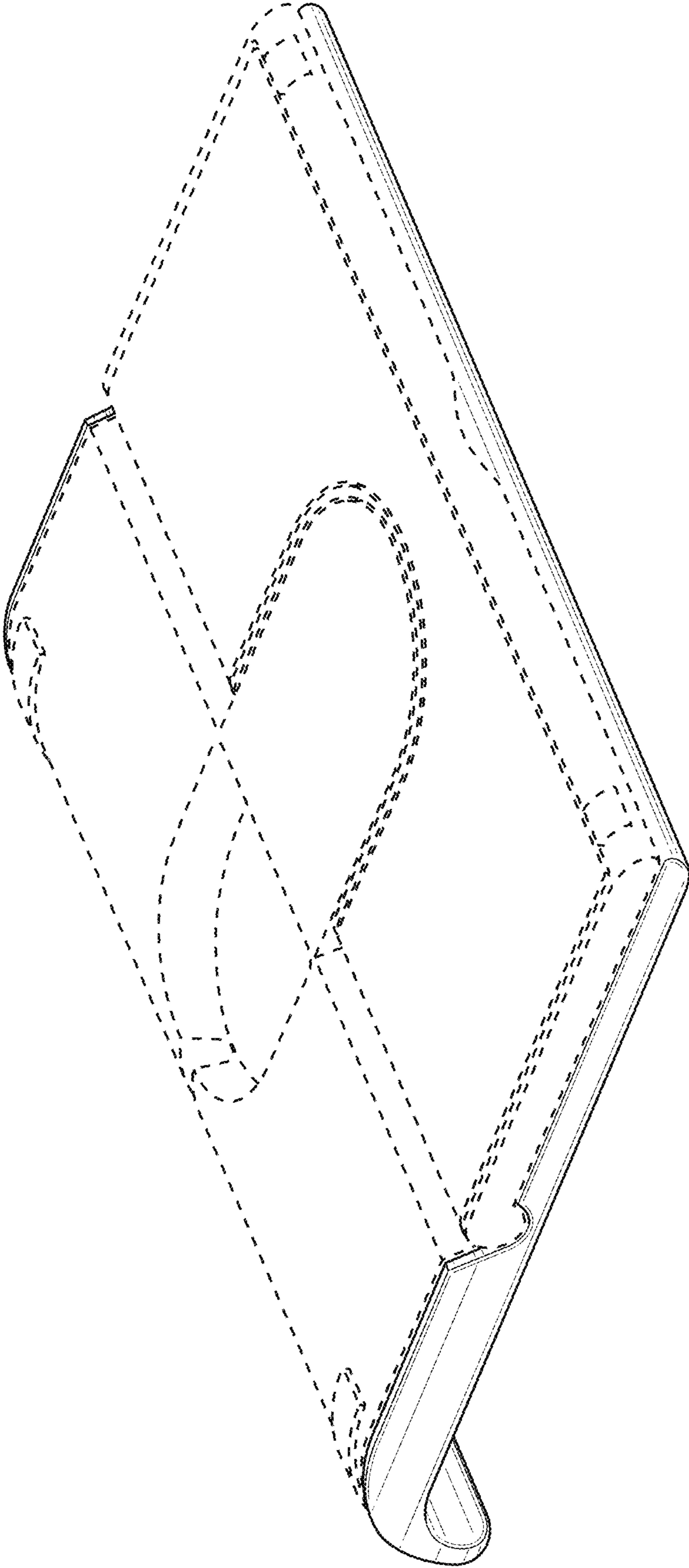


FIG. 2

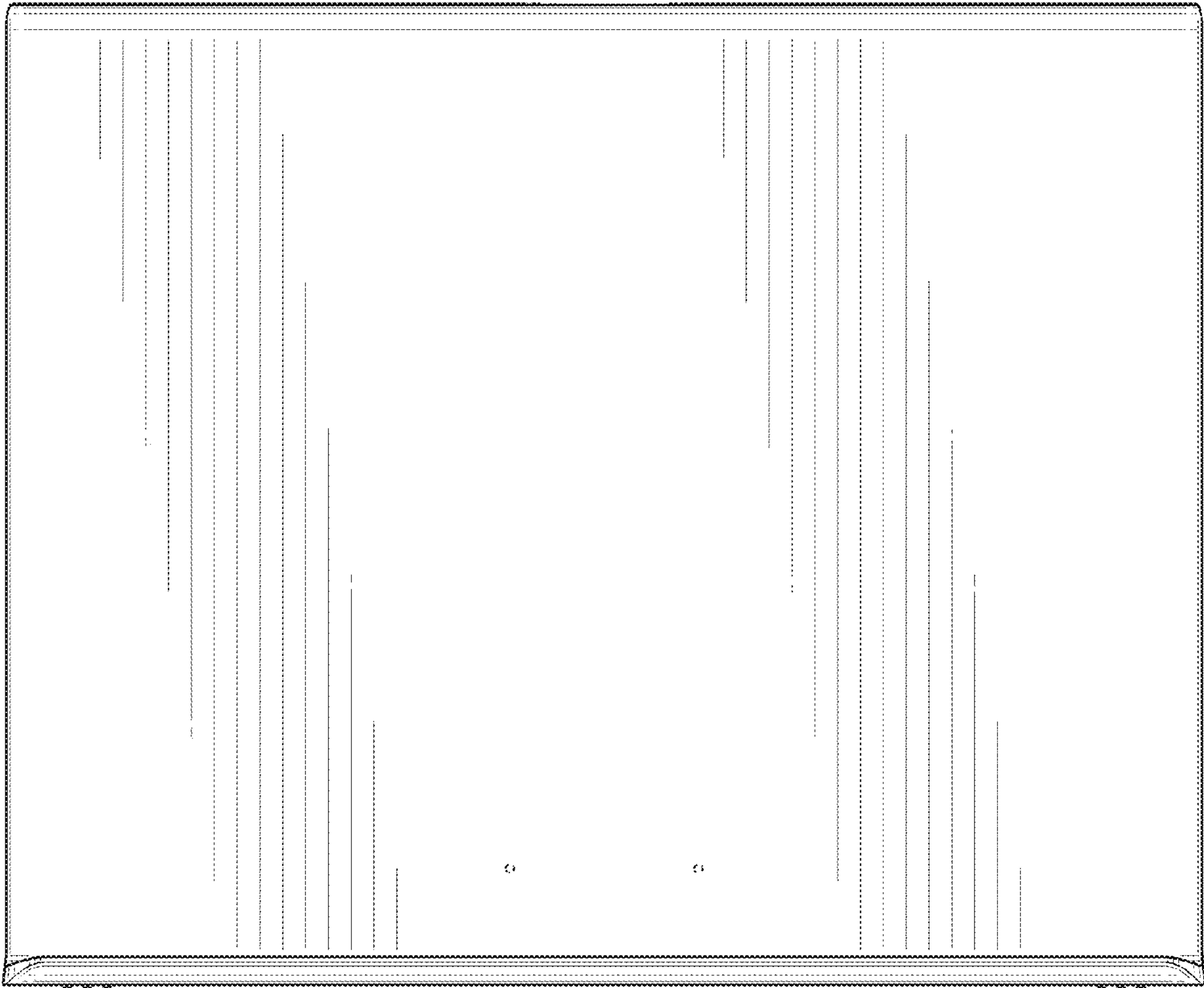


FIG. 3

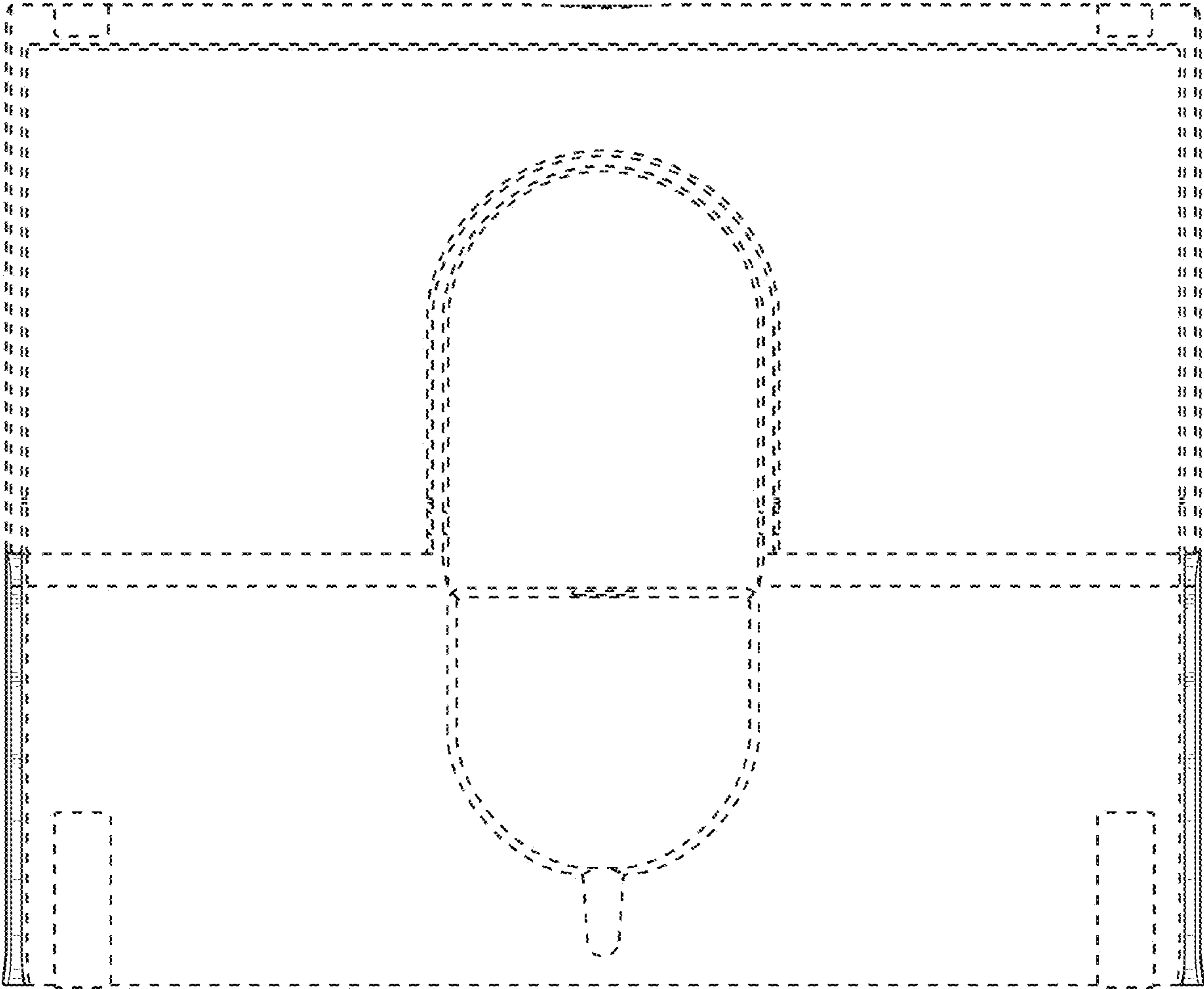


FIG. 4

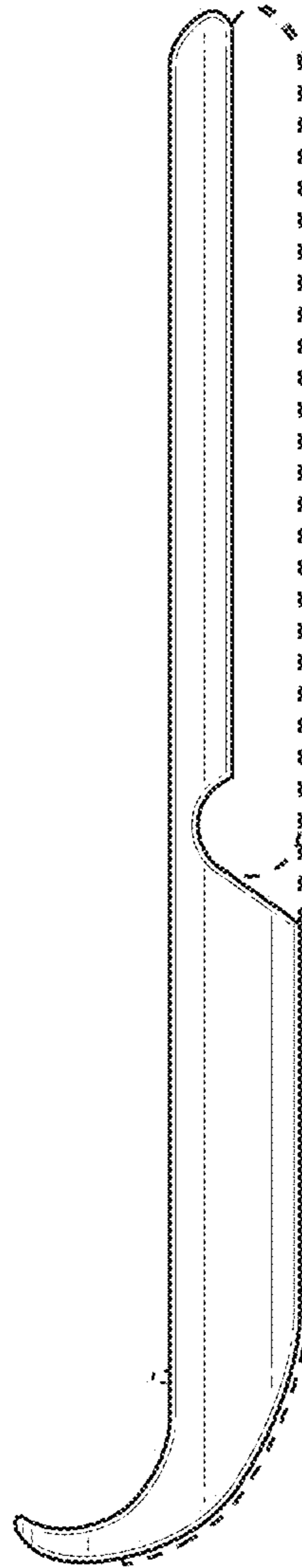


FIG. 5

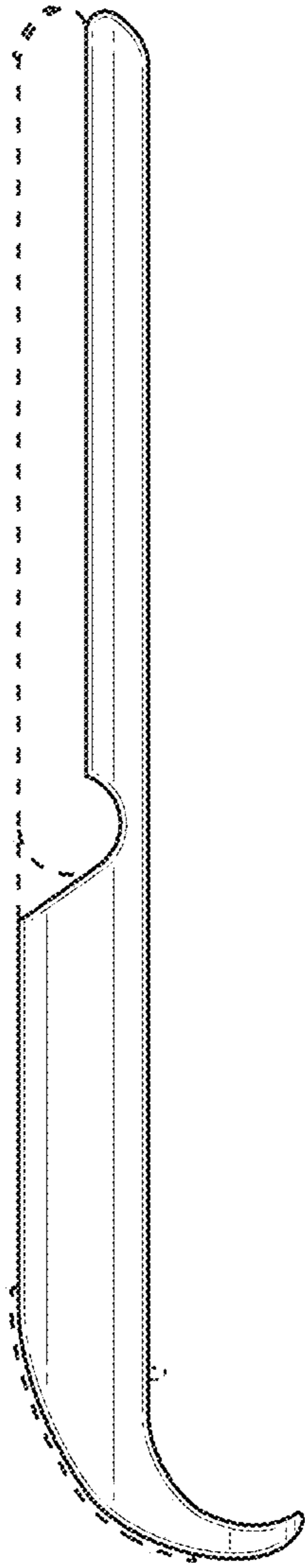


FIG. 6

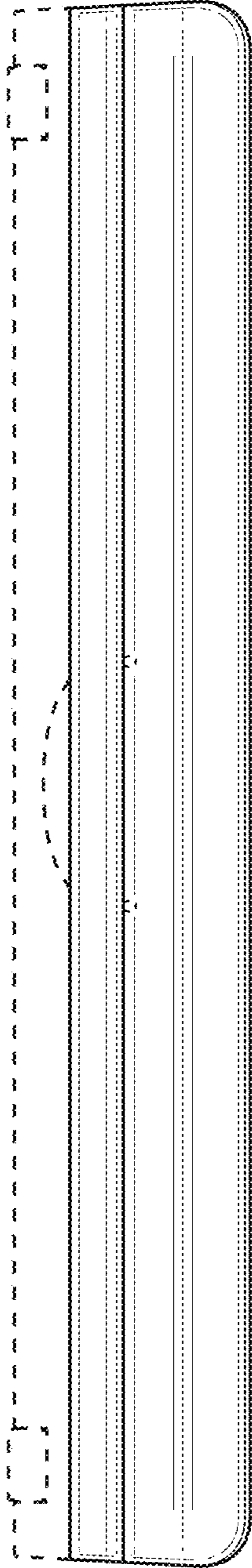


FIG. 7

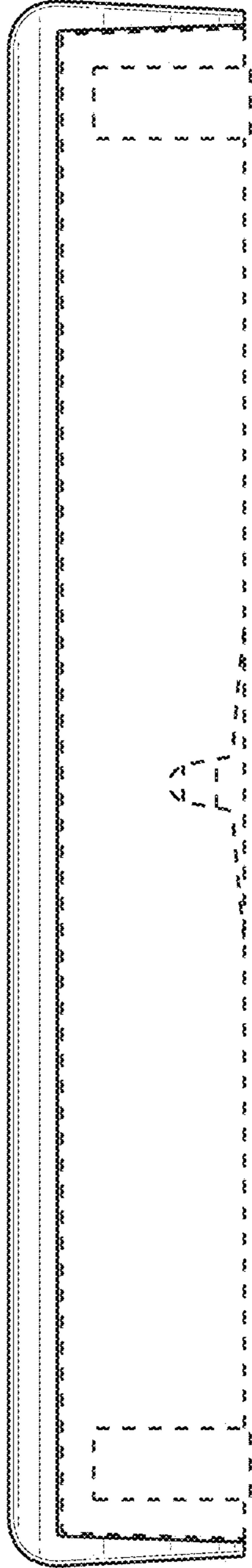


FIG. 8