



US00D881891S

(12) **United States Design Patent**
Fan

(10) **Patent No.:** **US D881,891 S**

(45) **Date of Patent:** **** Apr. 21, 2020**

(54) **COMPUTER STAND**

(71) Applicant: **Jianyun Fan**, Guangdong (CN)

(72) Inventor: **Jianyun Fan**, Guangdong (CN)

(73) Assignee: **Dongguan Huachuang Technology Co., Ltd.**, Dongguan (CN)

(**) Term: **15 Years**

(21) Appl. No.: **29/672,942**

(22) Filed: **Dec. 11, 2018**

(51) **LOC (12) Cl.** **14-02**

(52) **U.S. Cl.**
USPC **D14/434**

(58) **Field of Classification Search**
USPC ... D14/434, 433, 435, 435.1, 356, 357, 358, D14/440, 447, 251-253, 432, 451, 452, D14/454, 217, 240, 299, 496, 171; D13/103, 107, 108, 184, 110, 123, 133, D13/135; D21/333
CPC G06F 1/1632; G06F 13/00; G06F 13/38; G06F 13/382; G06F 13/385; G06F 13/387; G06F 3/065; G06F 9/541; G06F 2213/3814; G06F 2213/40; G06F 2213/4004; H01R 31/06; H01R 31/065; H01R 27/00; H01R 13/512; H01R 13/62; H04R 5/04

See application file for complete search history.

(56) **References Cited**

U.S. PATENT DOCUMENTS

D430,882 S * 9/2000 Tsai D14/434
6,321,340 B1 * 11/2001 Shin G06F 1/1632
713/310
7,350,011 B2 * 3/2008 Keely G06F 1/1632
361/679.55
7,503,808 B1 * 3/2009 O'Shea H01R 31/065
439/639

D642,172 S * 7/2011 Akana D14/318
D655,351 S * 3/2012 Zenri D21/333
D656,555 S * 3/2012 Zenri D21/333
D673,571 S * 1/2013 Akana D14/447
D676,414 S * 2/2013 Holzer D14/172
D689,858 S * 9/2013 Lo D14/357
D692,024 S * 10/2013 Seong D14/496
D701,213 S * 3/2014 Pajic D14/447
8,824,135 B2 * 9/2014 Tachibana G06F 1/1632
345/169
D724,597 S * 3/2015 Akana D14/447
D732,036 S * 6/2015 Lee D14/434
9,170,609 B2 * 10/2015 Yaojun G06F 1/1632
D747,322 S * 1/2016 Li D14/447
D750,083 S * 2/2016 Chow D14/434
D762,648 S * 8/2016 Akana D14/434
9,575,511 B2 * 2/2017 Yanagida G06F 1/1632
D784,351 S * 4/2017 Akana D14/447

(Continued)

OTHER PUBLICATIONS

Docking stations. Design—© Questel) orbit.com. [online PDF] 48 pgs. Print Dates Range from Aug. 5, 2015 through Nov. 22, 2019. [retrieved Jan. 31, 2020] <https://sobjprd.questel.fr/export/QPTUJ214/pdf2/2bc6a343-51ab-4299-a2e4-d476e47234a6-181003.pdf>.*

Primary Examiner — Marie D. Fast Horse

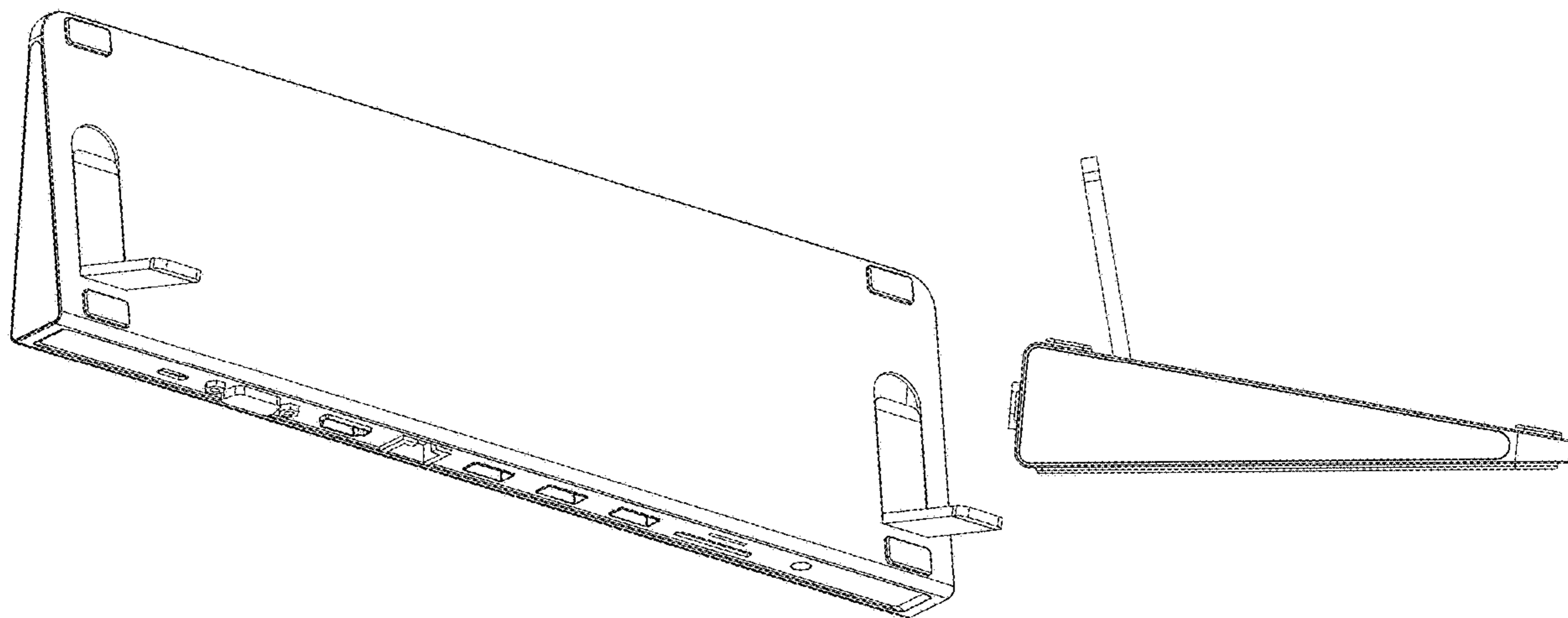
(57) **CLAIM**

The ornamental design for a computer stand, as shown and described.

DESCRIPTION

FIG. 1 is a perspective view of a computer stand showing my new design;
FIG. 2 is a front elevational view thereof;
FIG. 3 is a rear elevational view thereof;
FIG. 4 is an enlarged left side view thereof;
FIG. 5 is an enlarged right side view thereof;
FIG. 6 is a top plan view thereof; and,
FIG. 7 is a bottom plan view thereof.

1 Claim, 4 Drawing Sheets



(56)

References Cited

U.S. PATENT DOCUMENTS

D800,137 S * 10/2017 Chen D14/457
9,811,118 B2 * 11/2017 Vroom G06F 1/1632
9,900,420 B2 * 2/2018 DeCamp G06F 1/266
9,904,323 B2 * 2/2018 DeCamp G06F 1/1632
D818,951 S * 5/2018 Ebrahimi Afrouzi D13/108
D844,008 S * 3/2019 Yamazaki D14/434
D851,646 S * 6/2019 Huebner D14/434
D863,294 S * 10/2019 Haaksma D14/341
2001/0033475 A1 * 10/2001 Lillios G06F 1/1632
361/679.54
2004/0165359 A1 * 8/2004 Cheng G06F 1/1632
361/730

* cited by examiner

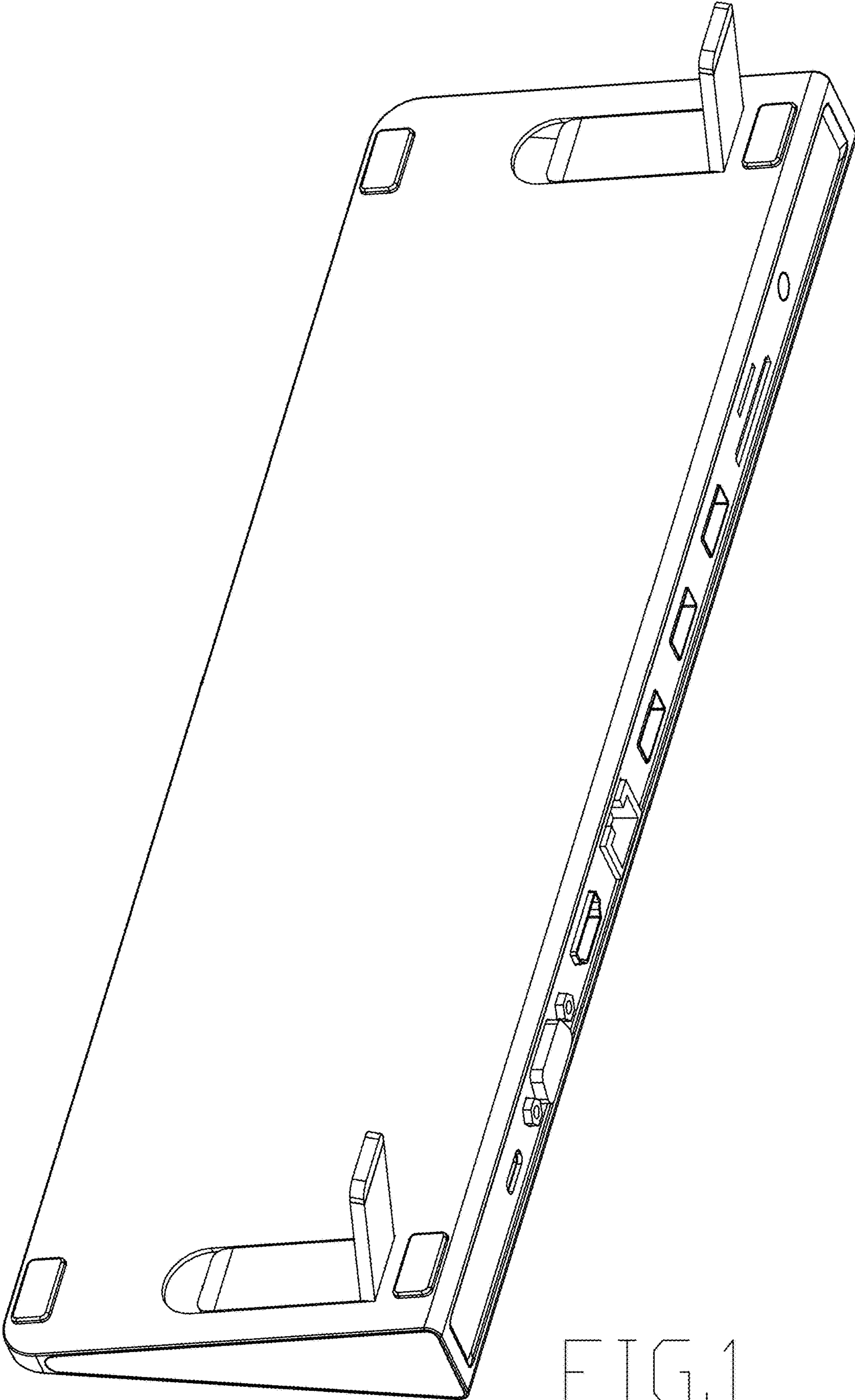


FIG. 1

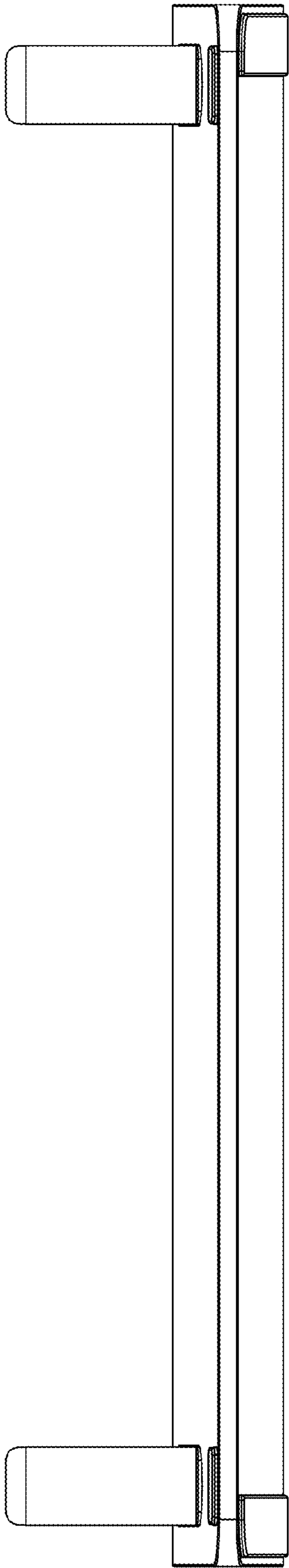


FIG. 2

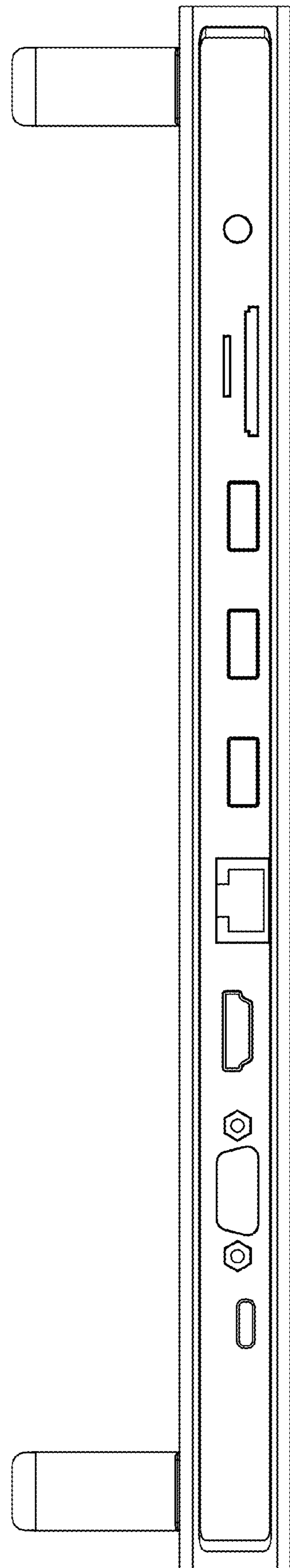


FIG. 3

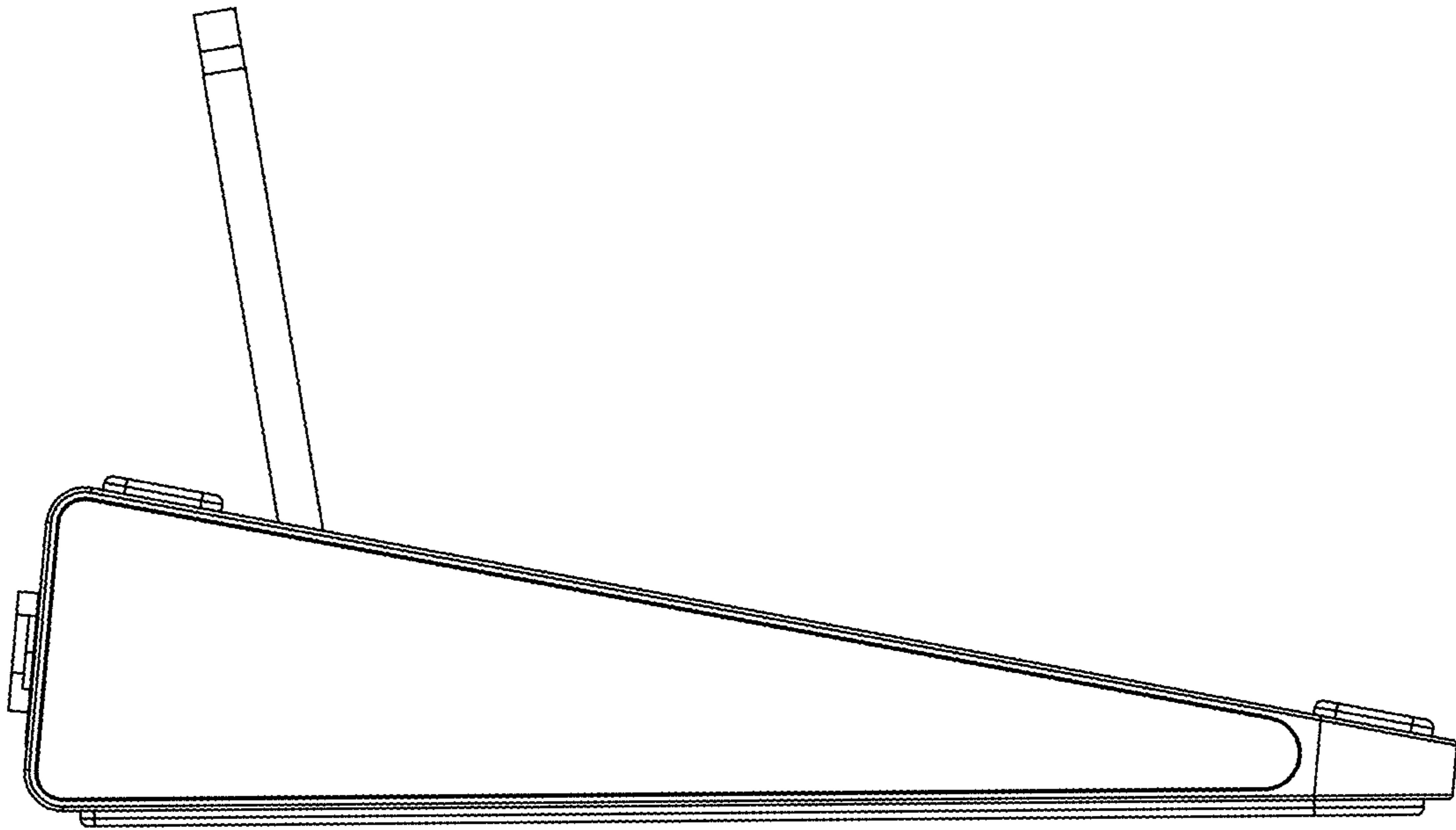


FIG. 4

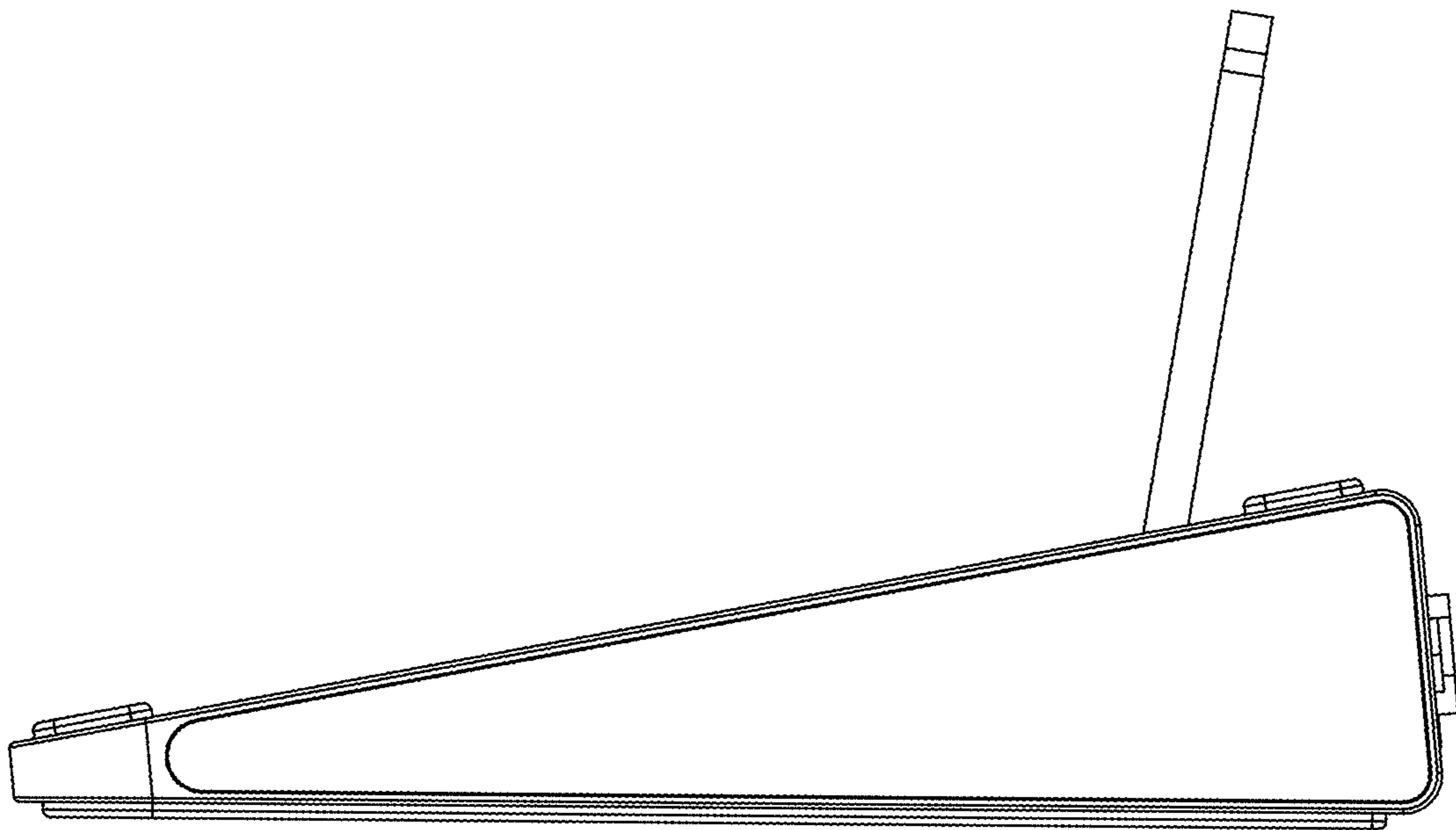


FIG. 5

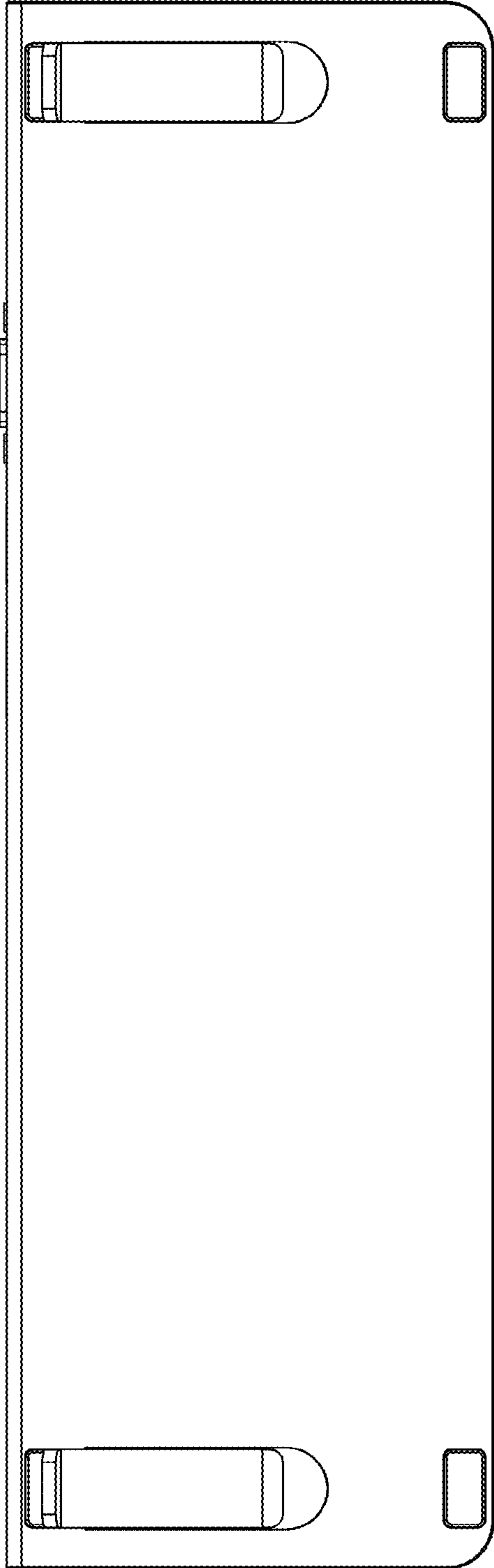


FIG. 6

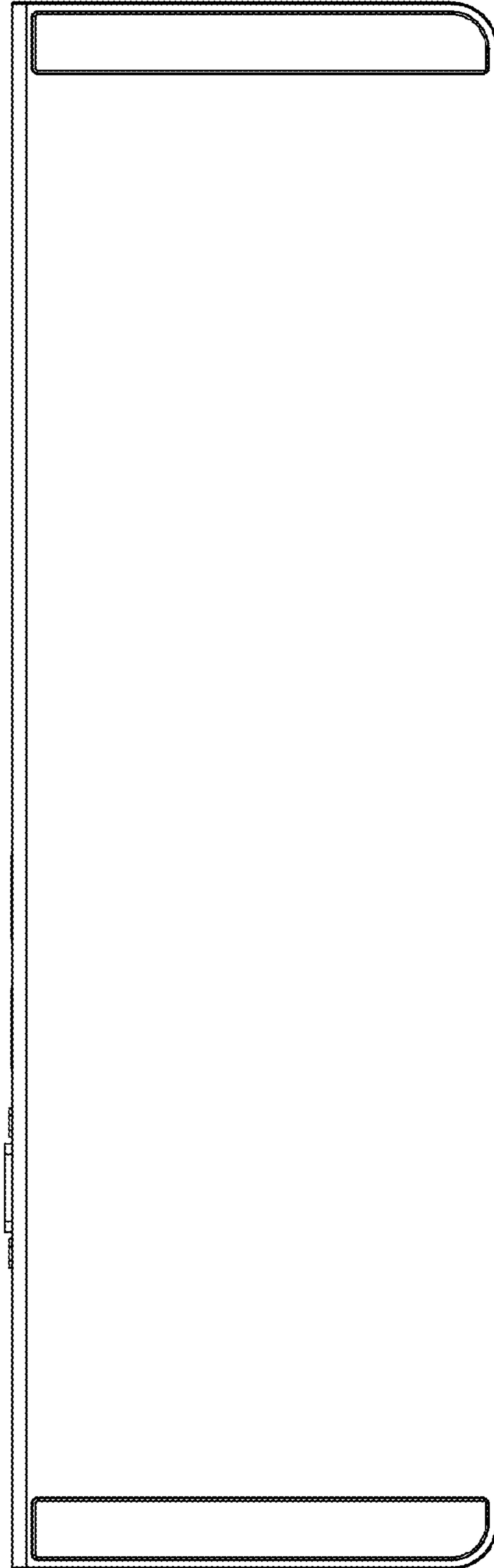


FIG. 7