



US00D881890S

(12) **United States Design Patent** (10) **Patent No.:** **US D881,890 S**  
**Wen** (45) **Date of Patent:** **\*\* Apr. 21, 2020**

(54) **ADAPTER**  
(71) Applicant: **Wulian Wen**, Lufeng (CN)  
(72) Inventor: **Wulian Wen**, Lufeng (CN)  
(\*\*) Term: **15 Years**  
(21) Appl. No.: **29/713,146**

D798,301 S \* 9/2017 Kujawski ..... D14/433  
D814,423 S \* 4/2018 Akana ..... D13/147  
D820,264 S \* 6/2018 Lai ..... D14/433  
D828,356 S \* 9/2018 Xie ..... D14/433  
D828,840 S \* 9/2018 Zhang ..... D14/433  
D828,841 S \* 9/2018 Zhang ..... D14/433  
D839,837 S \* 2/2019 Akana ..... D13/147  
D845,303 S \* 4/2019 Laffon de Mazieres .... D14/433  
D845,953 S \* 4/2019 Boehmer ..... D14/433  
D847,139 S \* 4/2019 Wang ..... D14/433  
D868,784 S \* 12/2019 Turksu ..... D14/385

(22) Filed: **Nov. 14, 2019**  
(51) **LOC (12) Cl.** ..... **14-02**  
(52) **U.S. Cl.**  
USPC ..... **D14/433**  
(58) **Field of Classification Search**  
USPC ..... D14/240, 242, 356, 358, 363, 365, 367,  
D14/370, 432-437, 439, 498, 125, 366,  
D14/168, 496; D13/147, 164, 123, 133,  
D13/146, 110, 199, 103, 162, 159, 160,  
D13/184; 361/683, 684, 686, 724, 735,  
361/737, 752; D18/40  
CPC .... H01R 25/006; H01R 27/02; H01R 31/005;  
G06F 13/4022; G06F 13/382; G06F  
1/1632; G06F 1/1684; G06F 1/20; G06F  
1/1607  
See application file for complete search history.

\* cited by examiner  
*Primary Examiner* — Austin Murphy  
(74) *Attorney, Agent, or Firm* — Jie Yang; ZANIP

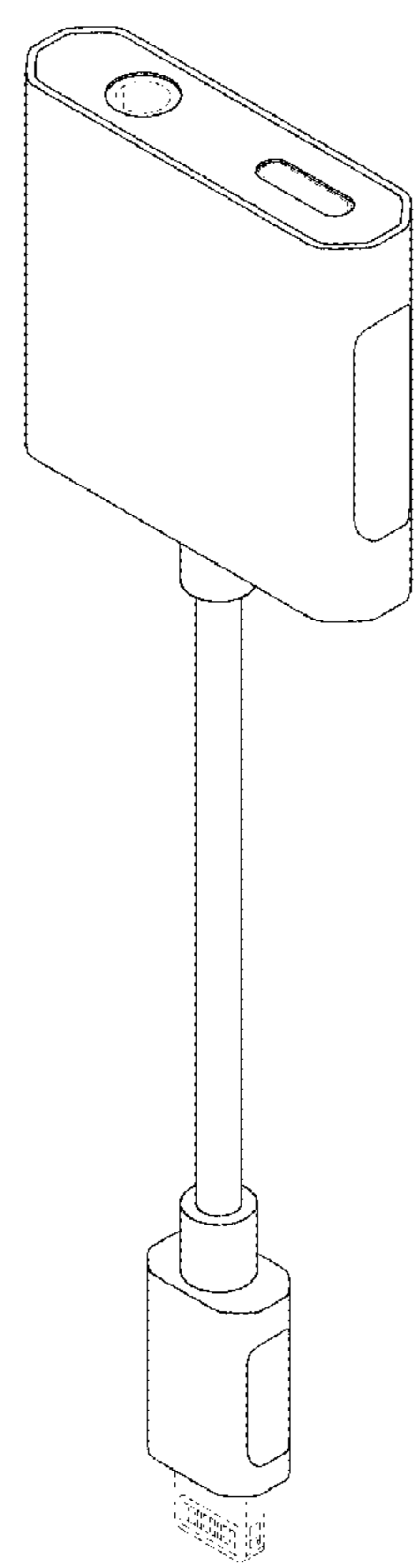
(57) **CLAIM**  
The ornamental design for an adapter, as shown and described.

**DESCRIPTION**

FIG. 1 is a front and bottom perspective view of an adapter, showing my new design;  
FIG. 2 is a rear and top perspective view thereof;  
FIG. 3 is a front elevational view thereof;  
FIG. 4 is a rear elevational view thereof;  
FIG. 5 is a left side elevational view thereof;  
FIG. 6 is a right side elevational view thereof;  
FIG. 7 is a top plan view thereof; and,  
FIG. 8 is a bottom plan view thereof.  
The broken lines in the figures illustrate portions of the adapter that form no part of the claimed design.

(56) **References Cited**  
U.S. PATENT DOCUMENTS  
D706,248 S \* 6/2014 Myung ..... D14/240  
D786,885 S \* 5/2017 Eliyahu ..... D14/480.1

**1 Claim, 8 Drawing Sheets**



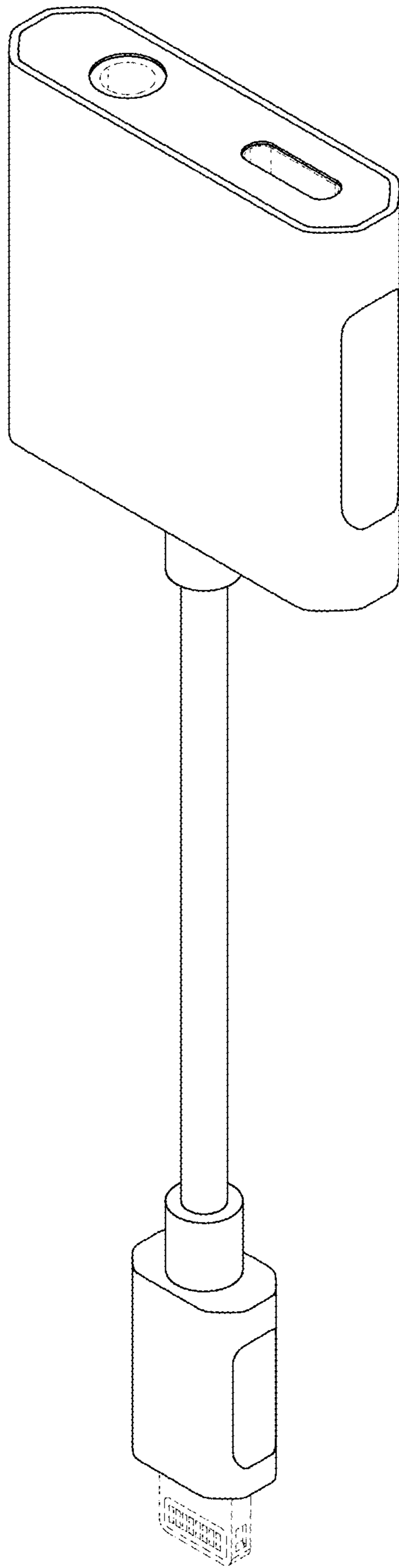


FIG. 1

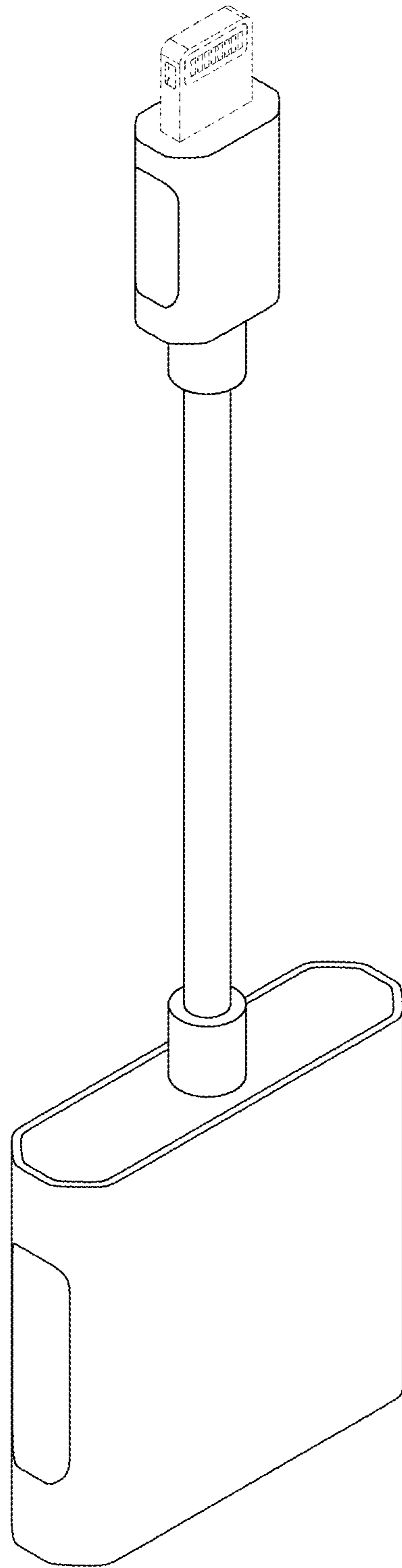


FIG. 2

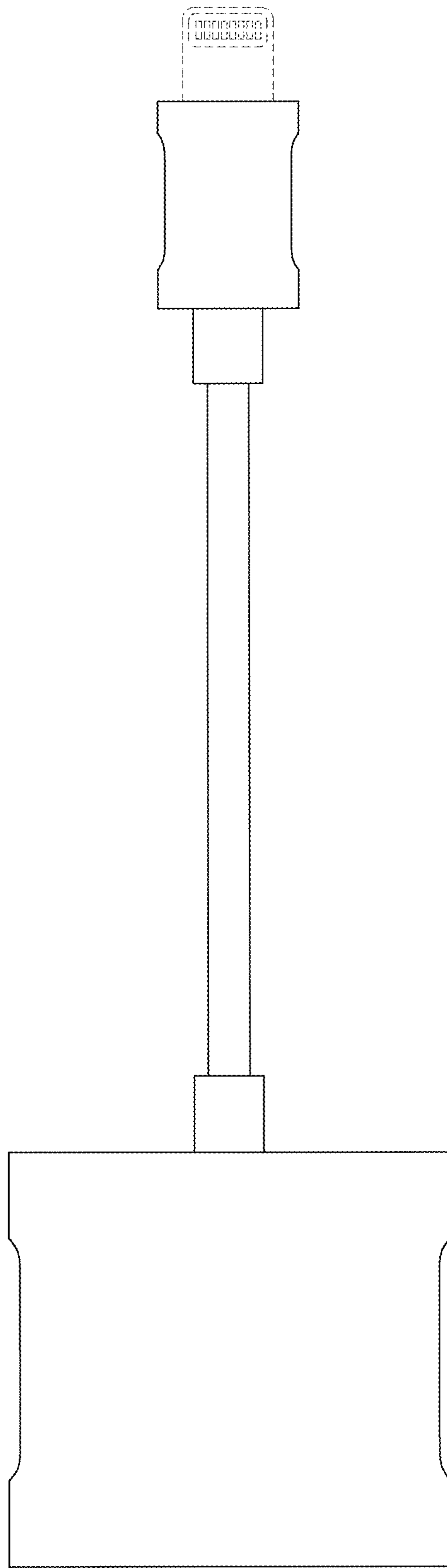


FIG. 3

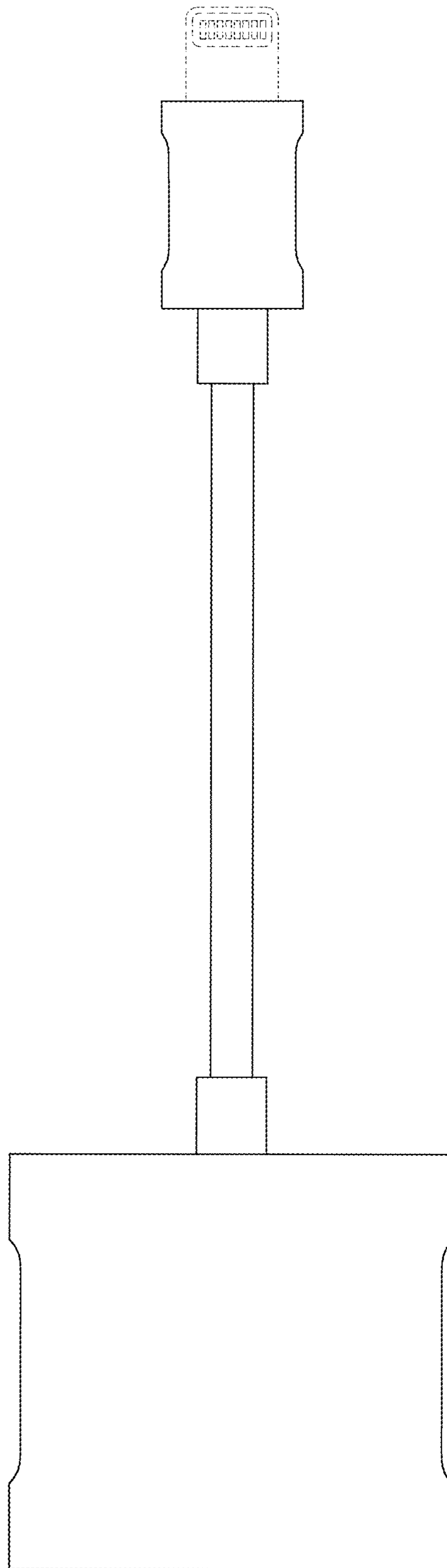


FIG. 4

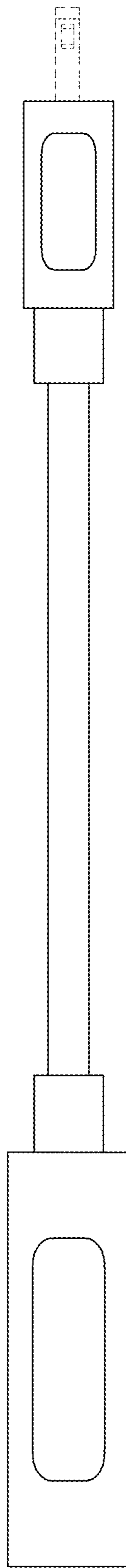


FIG. 5

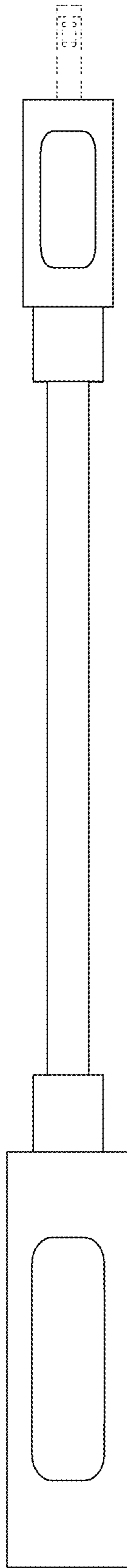


FIG. 6

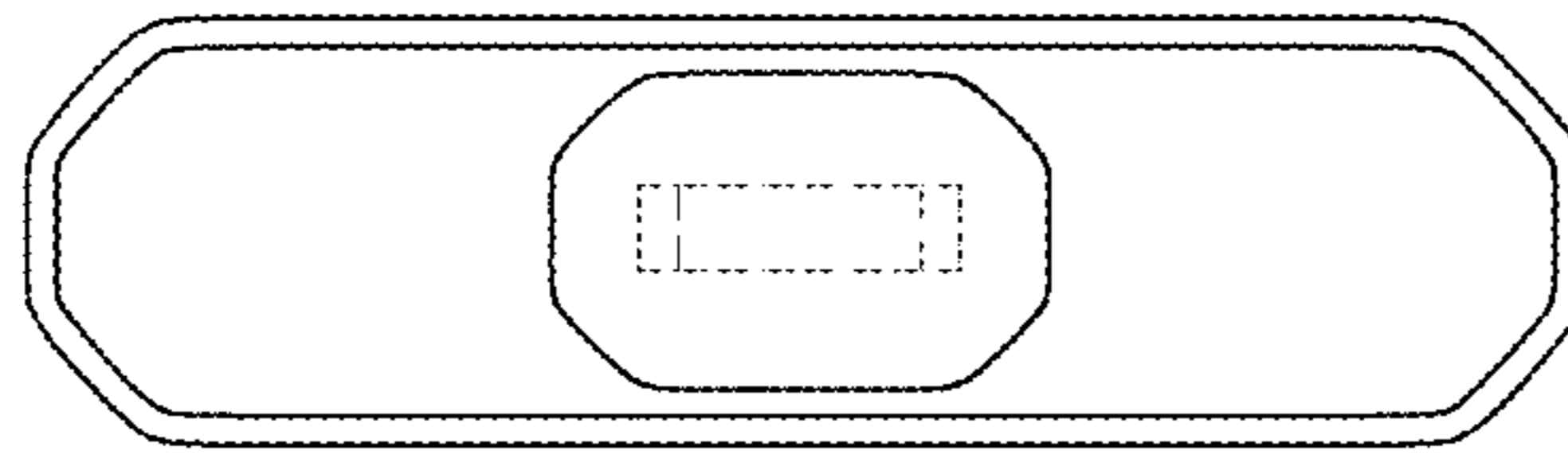


FIG. 7



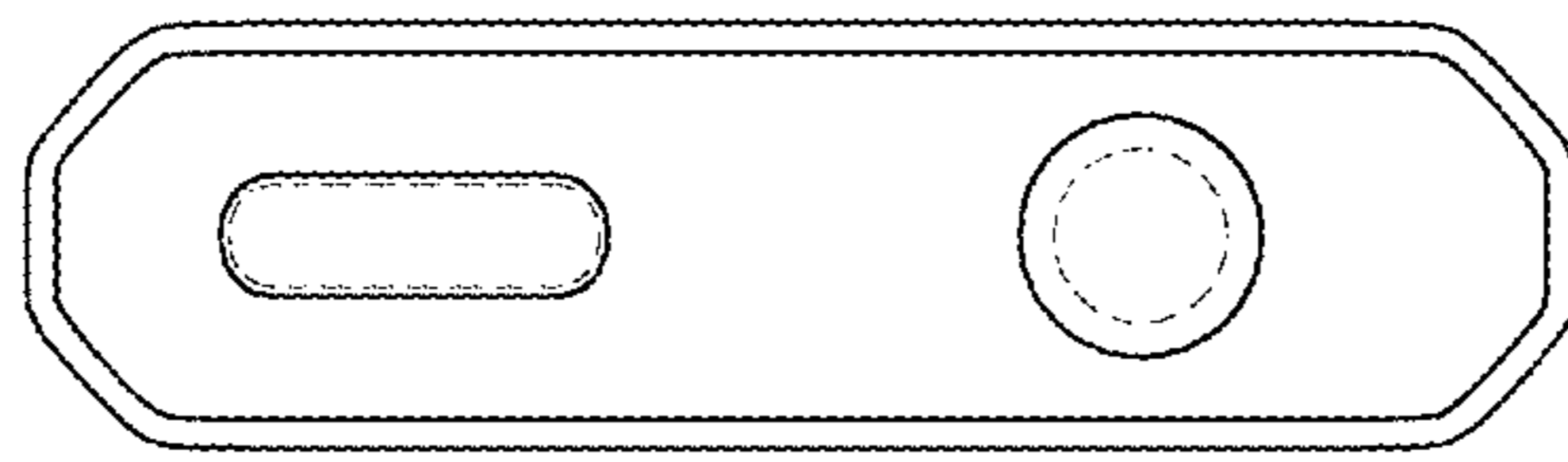


FIG. 8