



US00D881888S

(12) **United States Design Patent**  
**Liao**

(10) **Patent No.:** **US D881,888 S**  
(45) **Date of Patent:** **\*\* Apr. 21, 2020**

- (54) **MULTI-FUNCTION CONVERTER**
- (71) Applicant: **Gopod Group Ltd.**,  
Shenzhen/Guangdong (CN)
- (72) Inventor: **Zhuowen Liao**, Shenzhen (CN)
- (73) Assignee: **GUANGDONG GOPOD GROUP HOLDING CO., LTD.**, Shenzhen (CN)
- (\*\*) Term: **15 Years**
- (21) Appl. No.: **29/684,041**
- (22) Filed: **Mar. 18, 2019**
- (30) **Foreign Application Priority Data**

Mar. 12, 2019 (CN) ..... 2019 3 0099326

- (51) **LOC (12) Cl.** ..... **14-02**
- (52) **U.S. Cl.**  
USPC ..... **D14/433**

- (58) **Field of Classification Search**  
USPC ..... D14/240, 242, 356, 357, 358, 378, 383,  
D14/384, 385, 386, 433, 434, 435.1,  
D14/480.1, 480.3, 480.4, 480.5, 480.6,  
D14/480.7; D13/103, 107, 108, 110, 146;  
D18/12, 12.1, 12.3  
CPC .... H01R 25/003; H01R 25/006; H01R 27/02;  
H01R 31/005; H01R 13/60; H01R  
13/6658; H01R 13/72; G06F 1/1607;  
G06F 1/1632; G06F 1/1684; G06F 1/266;  
G06F 11/325; G06F 13/00; G06F 13/12;  
G06F 13/14; G06F 13/20; G06F 13/382;  
G06F 13/4022; G06F 9/4413  
See application file for complete search history.

(56) **References Cited**

**U.S. PATENT DOCUMENTS**

- D807,290 S \* 1/2018 Liao ..... D13/110
- D813,875 S \* 3/2018 Liao ..... D14/434
- D828,839 S \* 9/2018 Zhang ..... D14/433

- D828,840 S \* 9/2018 Zhang ..... D14/433
  - D828,841 S \* 9/2018 Zhang ..... D14/433
  - D839,876 S \* 2/2019 Turksu ..... D14/435.1
- (Continued)

**FOREIGN PATENT DOCUMENTS**

- EM 006774279-0001 \* 8/2019
- EM 006812186-0001 \* 9/2019

**OTHER PUBLICATIONS**

“Ipad Pro USB-C Hubs: The Best, Worst, and Weirdest Options,”  
the Verge online, post date Aug. 2, 2019, URL: <https://www.theverge.com/2019/8/2/20750137/apple-ipad-pro-usb-c-hubs-hyperdrive-belkin-satechi-kanex>, retrieved Feb. 11, 2020.\*

(Continued)

*Primary Examiner* — Angela J Lee  
*Assistant Examiner* — Rebekah A Caruso  
(74) *Attorney, Agent, or Firm* — Dorsey & Whitney LLP

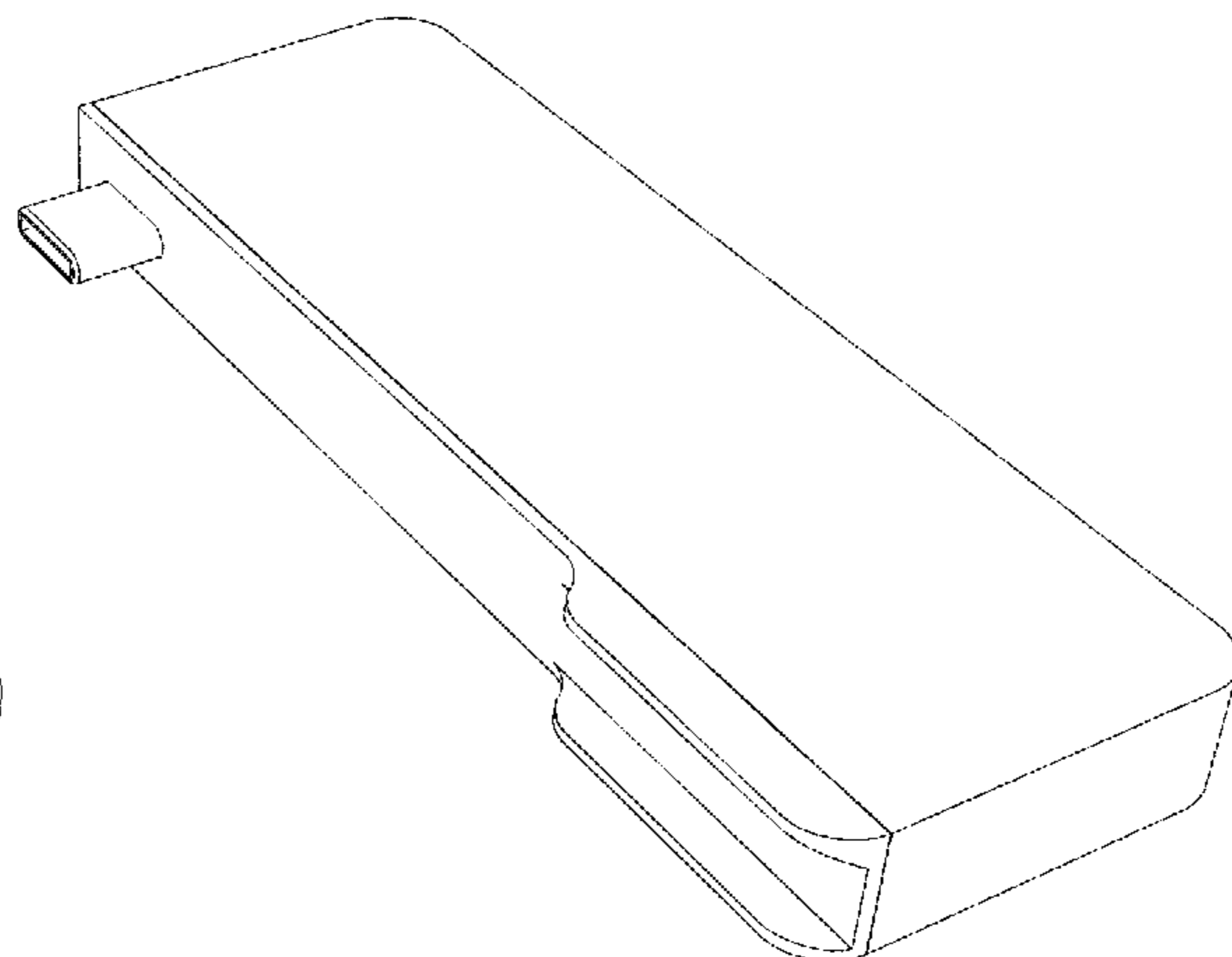
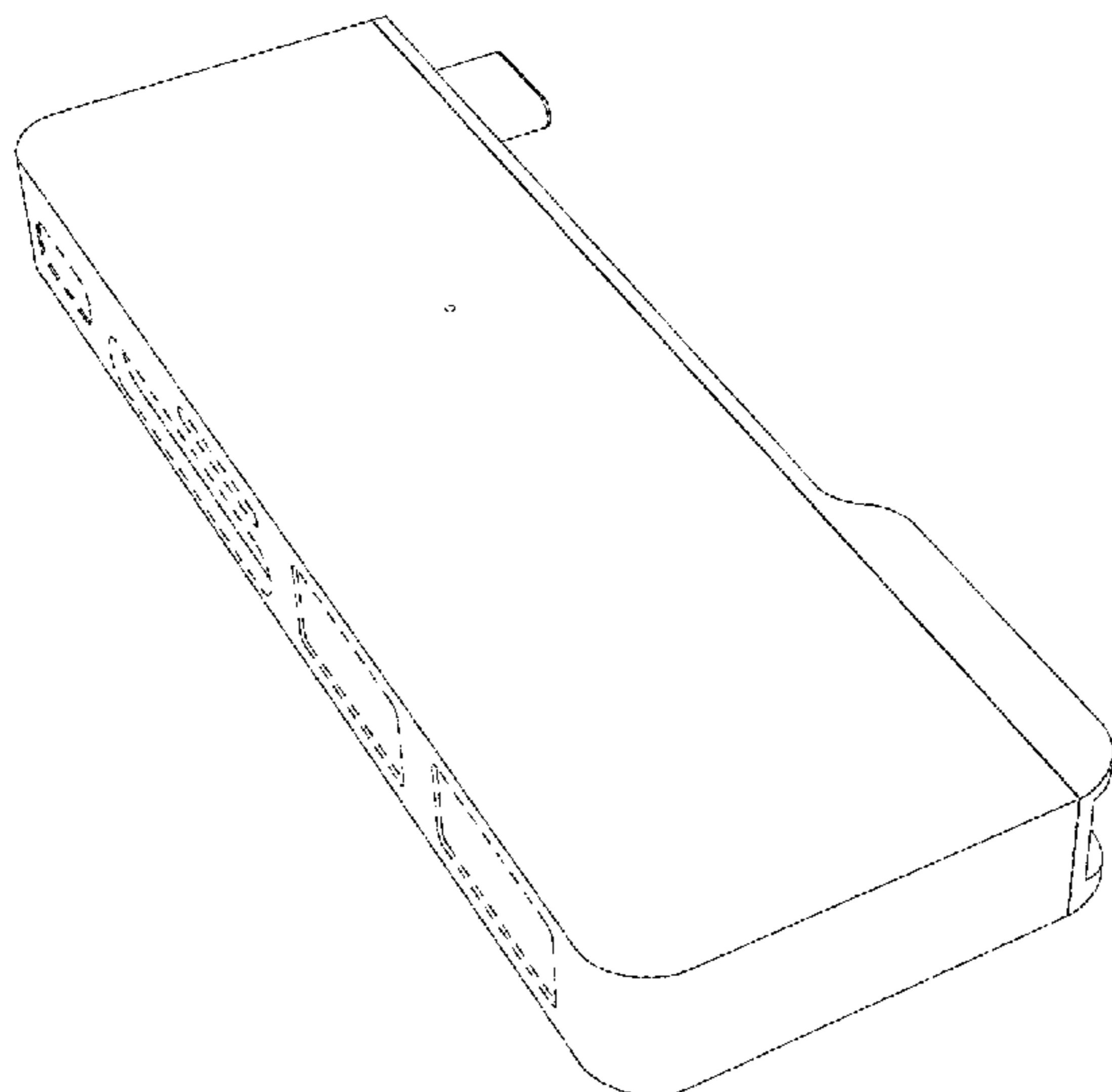
(57) **CLAIM**

The ornamental design for a multi-function converter, as shown and described.

**DESCRIPTION**

FIG. 1 is a right side view of a multi-function converter showing my new design;  
FIG. 2 is a left side view thereof;  
FIG. 3 is a top view thereof;  
FIG. 4 is a bottom view thereof;  
FIG. 5 is a front view thereof;  
FIG. 6 is a rear view thereof;  
FIG. 7 is a top, front, right side perspective view thereof; and,  
FIG. 8 is a bottom, front, left side perspective view thereof.  
The broken lines shown in the drawings illustrate portions of the multi-function converter that form no part of the claimed design

**1 Claim, 8 Drawing Sheets**



(56)

**References Cited**

U.S. PATENT DOCUMENTS

D855,616 S \* 8/2019 Chin ..... D14/433  
D862,474 S \* 10/2019 Liu ..... D14/433  
D864,205 S \* 10/2019 Wang ..... D14/433  
D864,964 S \* 10/2019 Lyu ..... D14/433  
D864,967 S \* 10/2019 Liu ..... D14/434  
D866,557 S \* 11/2019 Xiong ..... D14/433  
D874,462 S \* 2/2020 Chin ..... D14/433  
2006/0085584 A1 \* 4/2006 Chen ..... G06F 1/1632  
710/303  
2007/0212145 A1 \* 9/2007 Chu ..... G06F 1/1632  
400/76  
2020/0014161 A1 \* 1/2020 Liao ..... H05K 1/18

OTHER PUBLICATIONS

“Hyper unveils the first iPad Pro USB-C hub with HDMI, USB-A, headphone jack, SD slot, more,” 9to5 mac online, post date Dec. 10, 2018, URL: <https://9to5mac.com/2018/12/10/ipad-pro-usb-c-hub-hyper/>, retrieved Feb. 26, 2020.\*

USB C Hub for iPad Pro, online, no post date, URL: <http://www.shopping365.co.kr/items/B0816T4NJW>, retrieved Feb. 26, 2020.\*

\* cited by examiner

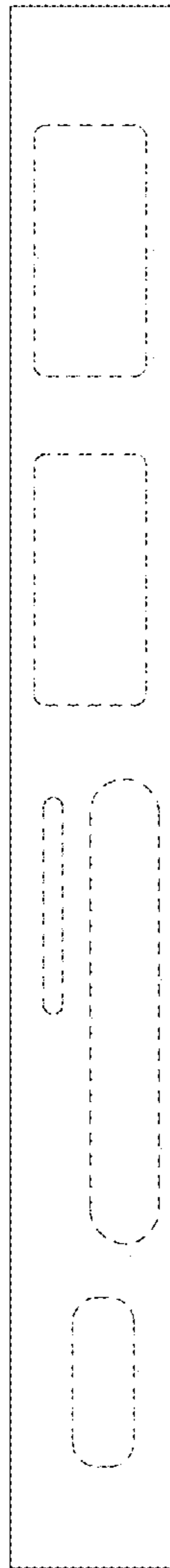


FIG. 1

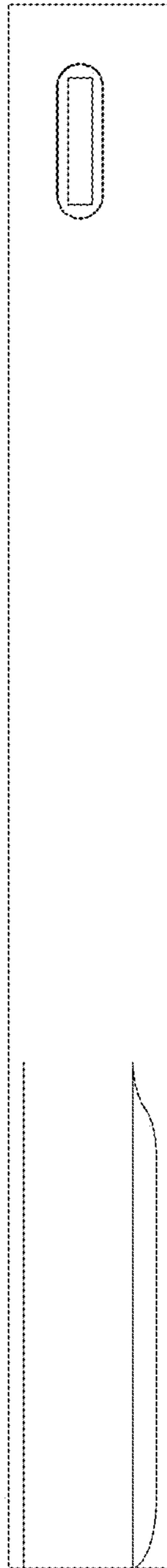


FIG. 2

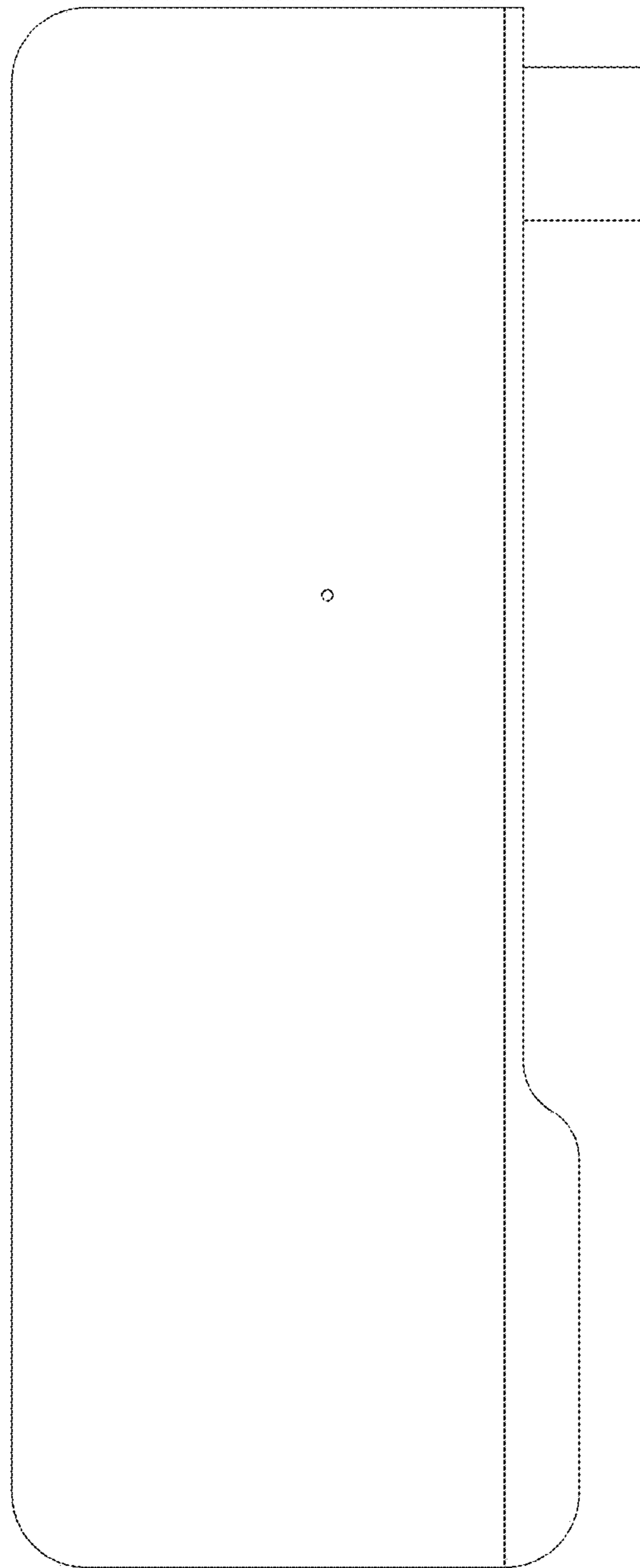


FIG. 3

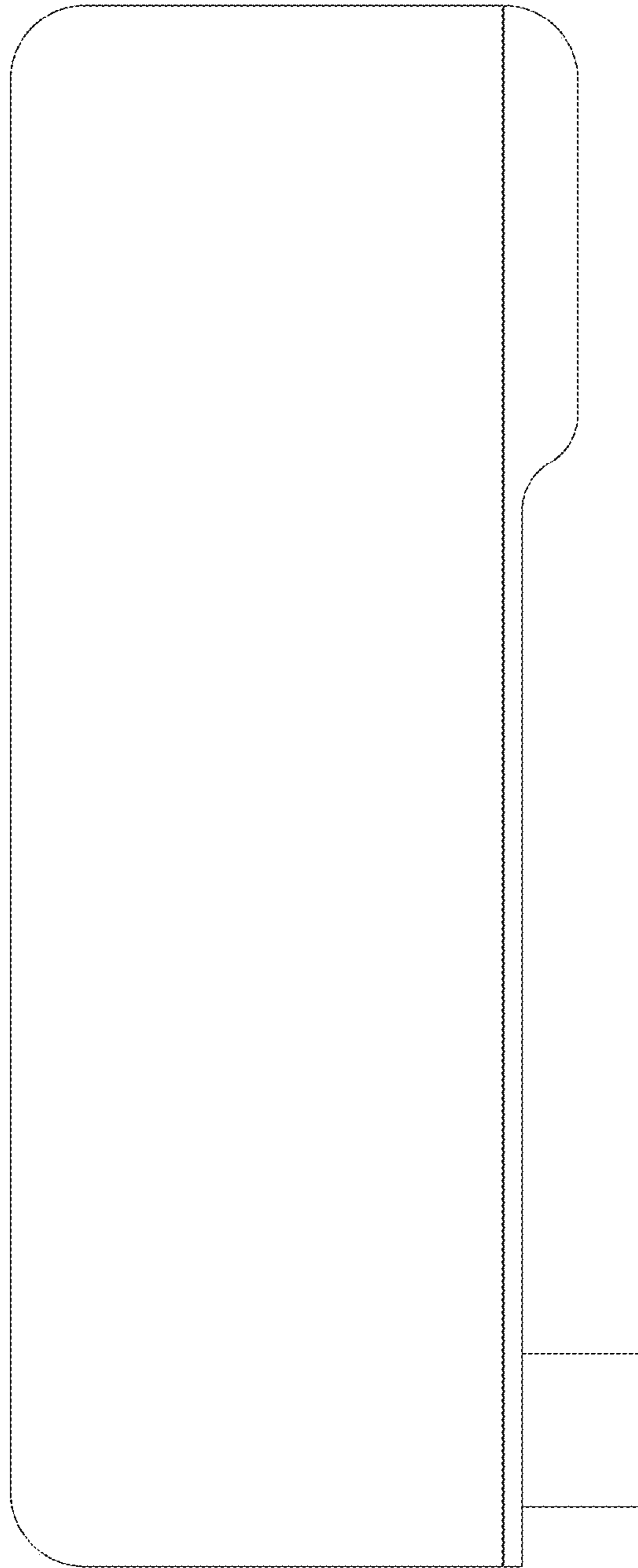


FIG. 4

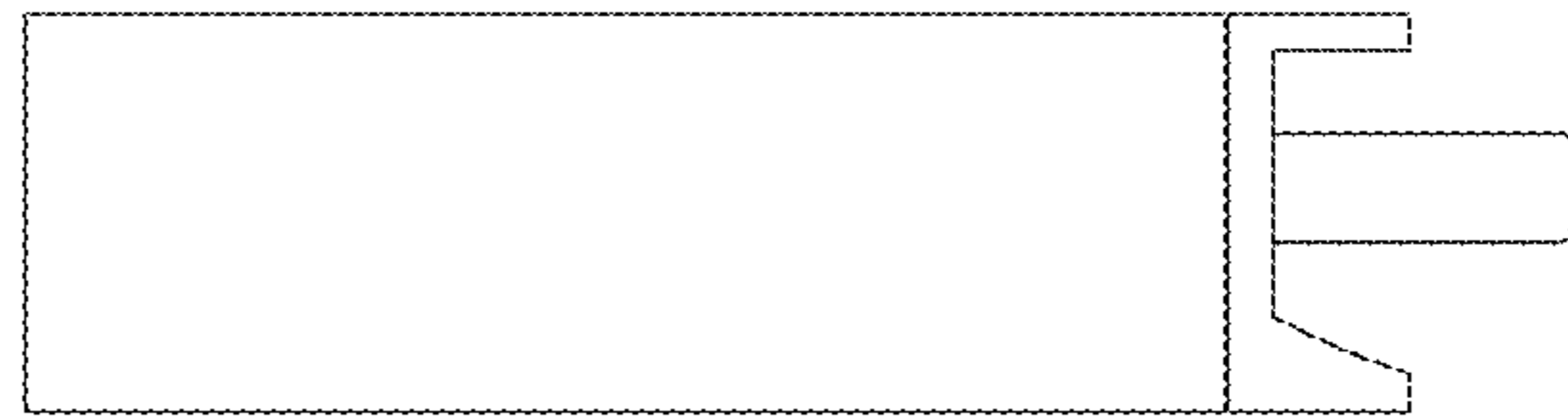


FIG. 5

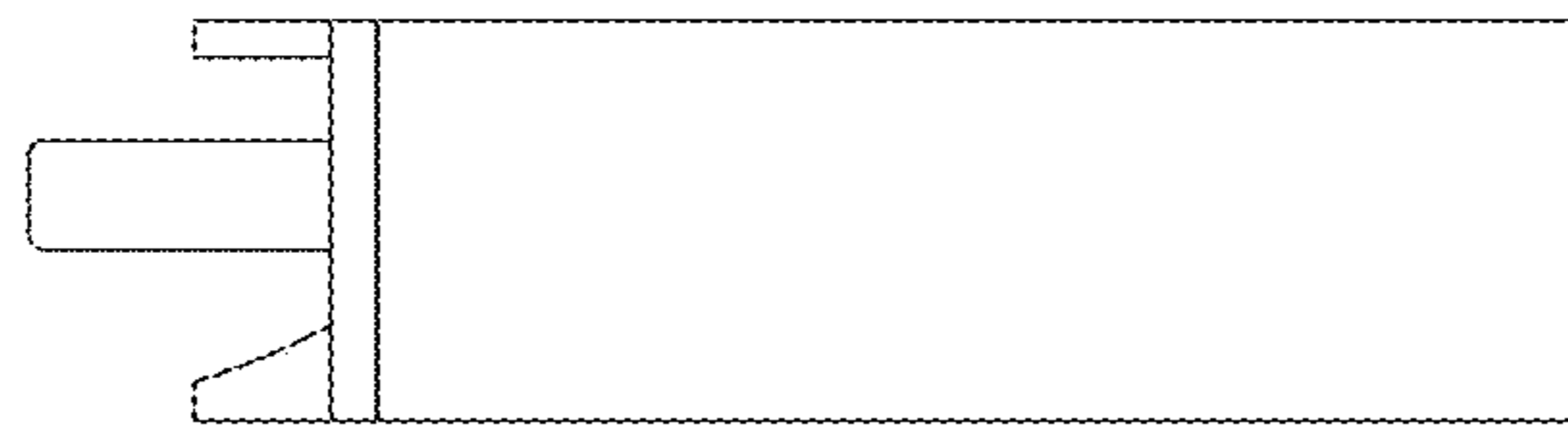


FIG. 6



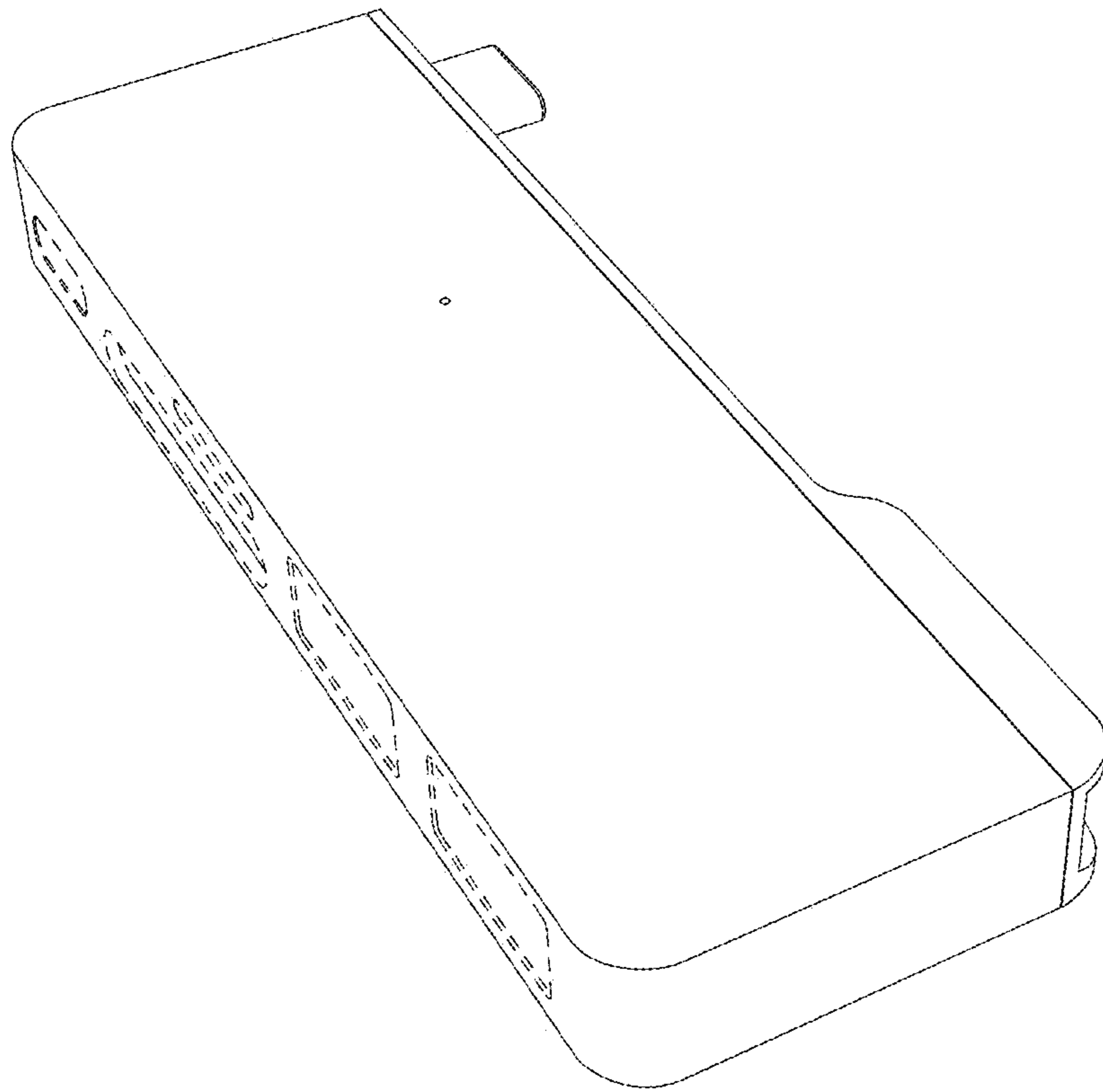


FIG. 7

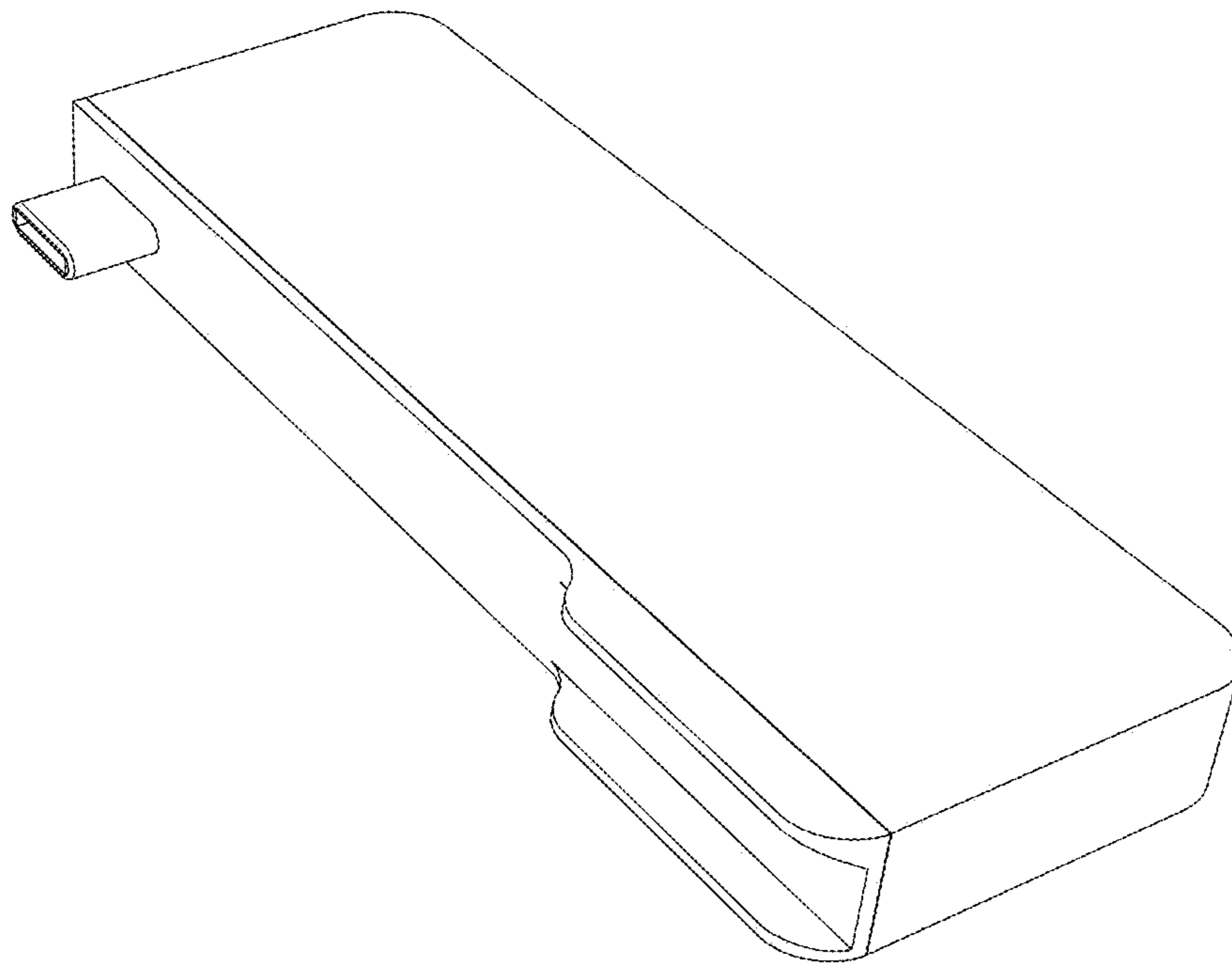


FIG. 8