



US00D881887S

(12) **United States Design Patent**
Peng

(10) **Patent No.:** **US D881,887 S**
(45) **Date of Patent:** **** Apr. 21, 2020**

(54) **SCANNER**

(71) Applicant: **AVISION INC.**, Hsinchu (TW)

(72) Inventor: **Chao-Yu Peng**, Hsinchu (TW)

(73) Assignee: **AVISION INC.**, Hsinchu (TW)

(**) Term: **15 Years**

(21) Appl. No.: **29/684,092**

(22) Filed: **Mar. 19, 2019**

(51) **LOC (12) Cl.** **14-02**

(52) **U.S. Cl.**

USPC **D14/422**

(58) **Field of Classification Search**

USPC D14/421-425; D18/55, 49, 46, 40,
D18/36-39, 41, 44-56; 235/462, 455,
235/470, 462.43, 482, 483; 358/474, 486,
358/488, 496, 498, 452, 449, 451, 453.1,
358/1.13, 1.16; 318/685, 696; 355/81,
355/75; 399/405, 367, 379, 380;
382/217; 715/209, 222, 226, 274;
400/613, 613.1-613.4, 690.1-690.4,
400/691-694; 271/264, 127, 131, 117,
271/118, 162

CPC H04N 1/00; H04N 1/12; H04N 1/00013;
H04N 1/00015; H04N 1/00018; H04N
1/00026; H04N 1/00557; H04N 1/00564;
H04N 1/00567; H04N 1/0057; H04N
1/00572; H04N 1/00586; H04N 1/00588;
H04N 1/00591; H04N 1/00594; H04N
1/00596; H04N 1/00604; H04N 1/00519;
H04N 1/00559; H04N 1/1013; H04N
1/10; H04N 1/00551; H04N 1/00278;
H04N 2201/0081; H04N 2201/0456;
H04N 2201/0446; H04N 2201/00; H04N
2201/0094; H04N 1/00525; H04N
1/0049; H04N 1/00493; H04N 1/00496;
H04N 1/00527; H04N 1/0053; H04N
1/00533; H04N 1/00535; H04N 1/00538;
H04N 1/00541; H04N 1/00543; H04N

1/00037; H04N 1/00092; H04N 1/00702;
H04N 1/02815; H04N 1/4076; H04N
1/40056; H04N 1/02845; G03G 15/0142;
G03G 15/605; G03G 15/602; B65H 5/26;
B65H 5/30; B65H 7/00; B65H 2402/515;
B65H 2402/31; B65H 2511/20; B65H
2511/414; B65H 2511/00194; B65H
2511/00198; B65H 2511/00202; B65H
2511/00206;

(Continued)

(56) **References Cited**

U.S. PATENT DOCUMENTS

D400,571 S * 11/1998 Shimizu D18/54
D401,271 S * 11/1998 Nakajima D18/55

(Continued)

Primary Examiner — Susan Moon Lee

(74) *Attorney, Agent, or Firm* — Winston Hsu

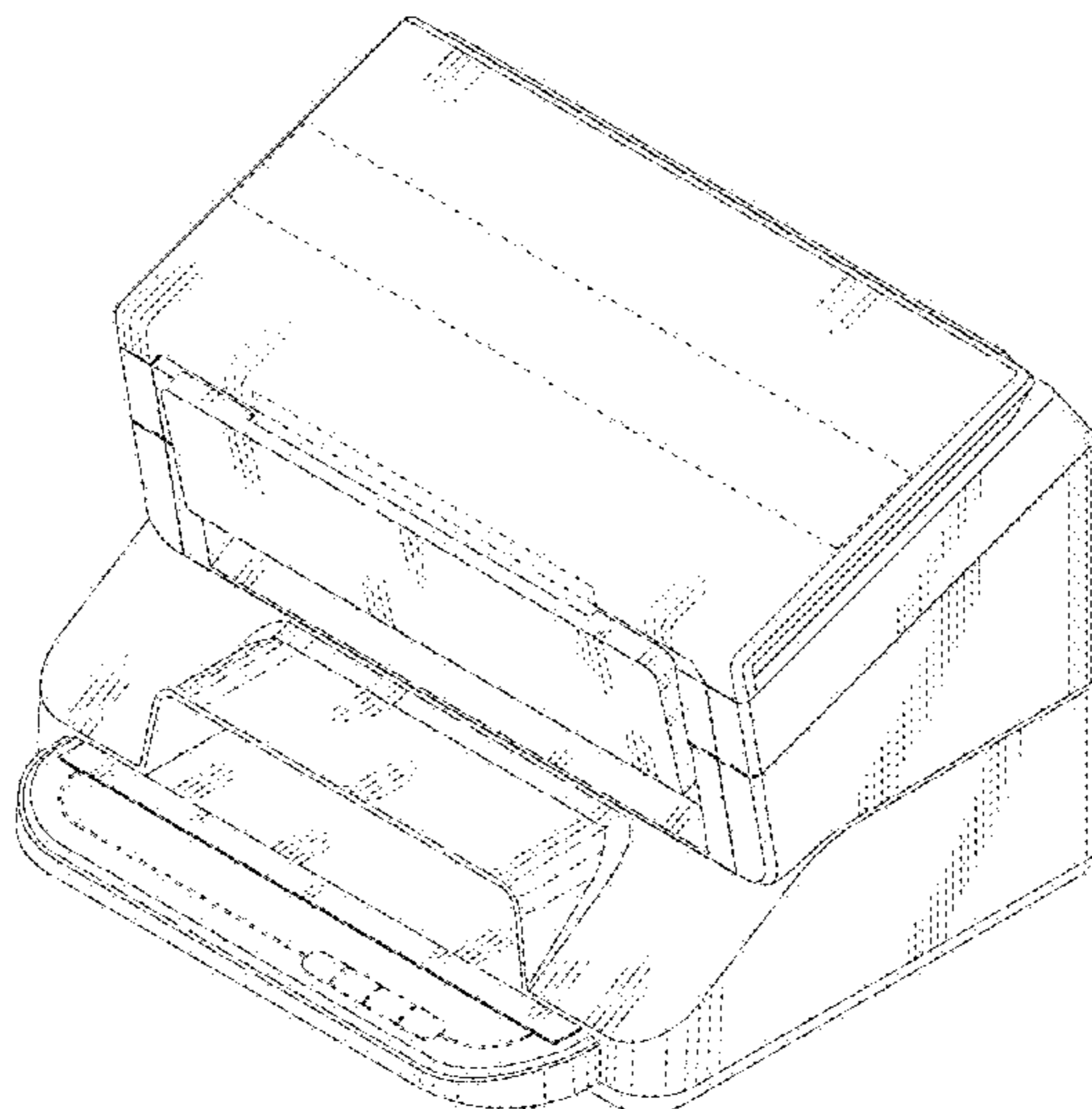
(57) **CLAIM**

The ornamental design for a scanner, as shown and described.

DESCRIPTION

FIG. 1 is a top, front, and right side perspective view of a scanner showing my new design;
FIG. 2 is a top, rear, and left side perspective view thereof;
FIG. 3 is a bottom, front, and left side perspective view thereof;
FIG. 4 is a front elevation view thereof;
FIG. 5 is a rear elevation view thereof;
FIG. 6 is a left side elevation view thereof;
FIG. 7 is a right side elevation view thereof;
FIG. 8 is a top plan view thereof; and,
FIG. 9 is a bottom plan view thereof.
The broken lines depict portions of the scanner in which the design is embodied that form no part of the claimed design.

1 Claim, 9 Drawing Sheets



(58) **Field of Classification Search**
 CPC B65H 2301/00; B65H 2220/04; B65H
 3/5261; B65H 2513/42
 See application file for complete search history.

(56) **References Cited**

U.S. PATENT DOCUMENTS

D433,442 S * 11/2000 Clark, III 14/2
 D448,381 S * 9/2001 Chen D14/422
 6,367,996 B1 * 4/2002 Edwards B41J 11/42
 400/279
 D459,389 S * 6/2002 Kaseno D18/50
 D462,087 S * 8/2002 Dwyer D18/55
 D466,923 S * 12/2002 Dwyer D18/55
 D466,924 S * 12/2002 Wong D18/55
 D523,469 S * 6/2006 Hwang D18/50
 D549,705 S * 8/2007 Sugitani D14/422
 D609,711 S * 2/2010 Kuroda D14/422
 D610,146 S * 2/2010 Kuroda D14/422
 D610,147 S * 2/2010 Kuroda D14/422
 D610,148 S * 2/2010 Kuroda D14/422
 D610,149 S * 2/2010 Kuroda D14/422
 D610,154 S * 2/2010 Kuroda D14/422
 D610,155 S * 2/2010 Kuroda D14/422
 D616,889 S * 6/2010 Kuroda D14/422
 8,169,669 B2 * 5/2012 Yoshida H04N 1/00525
 358/400
 D669,081 S * 10/2012 Iwai D14/422
 D687,436 S * 8/2013 Penke D14/422
 D700,908 S * 3/2014 Taniho D14/422
 8,699,101 B2 * 4/2014 Mukai H04N 1/00533
 271/118
 8,746,681 B2 * 6/2014 Mizuno B65H 9/06
 271/145
 D713,845 S * 9/2014 Taniho D14/422
 D716,305 S * 10/2014 Tani D14/422
 D723,562 S * 3/2015 Inada D14/422
 9,415,954 B2 * 8/2016 Ukai B65H 1/02
 D766,246 S * 9/2016 Inada D14/422

D780,181 S * 2/2017 Peng D14/422
 D794,640 S * 8/2017 Shigeno D14/422
 D797,744 S * 9/2017 Tan D14/422
 9,860,394 B2 * 1/2018 Kanaya H04N 1/00013
 D813,871 S * 3/2018 Egami D14/422
 D844,004 S * 3/2019 Ishida D14/422
 D845,951 S * 4/2019 Shigeno D14/422
 D861,690 S * 10/2019 Shibuya D14/422
 2007/0188818 A1 * 8/2007 Westcott H04N 1/00525
 358/296
 2009/0230611 A1 * 9/2009 Ngai H04N 1/00525
 271/145
 2010/0053701 A1 * 3/2010 Yoshida H04N 1/00525
 358/474
 2010/0060948 A1 * 3/2010 Yoshida H04N 1/00519
 358/474
 2013/0056923 A1 * 3/2013 Kuriki B65H 31/02
 271/145
 2013/0056924 A1 * 3/2013 Mizuno B65H 1/00
 271/162
 2013/0057932 A1 * 3/2013 Mukai H04N 1/00533
 358/498
 2013/0134667 A1 * 5/2013 Nakayama B65H 5/06
 271/275
 2013/0135697 A1 * 5/2013 Ukai B65H 3/5238
 358/498
 2013/0163056 A1 * 6/2013 Hanayama H04N 1/0005
 358/474
 2014/0061998 A1 * 3/2014 Kasashima B65H 5/06
 271/10.11
 2014/0063573 A1 * 3/2014 Yonemura H04N 1/00602
 358/498
 2017/0267476 A1 * 9/2017 Miyagi H04N 1/00602
 2017/0279991 A1 * 9/2017 Shiota B65H 3/06
 2018/0007221 A1 * 1/2018 Mokuo B65H 43/00
 2018/0091695 A1 * 3/2018 Suzuki H01L 27/14689
 2018/0170695 A1 * 6/2018 Kitsuki B65H 1/02
 2018/0176398 A1 * 6/2018 Harada B65H 29/70
 2018/0194579 A1 * 7/2018 Harada B65H 3/063

* cited by examiner

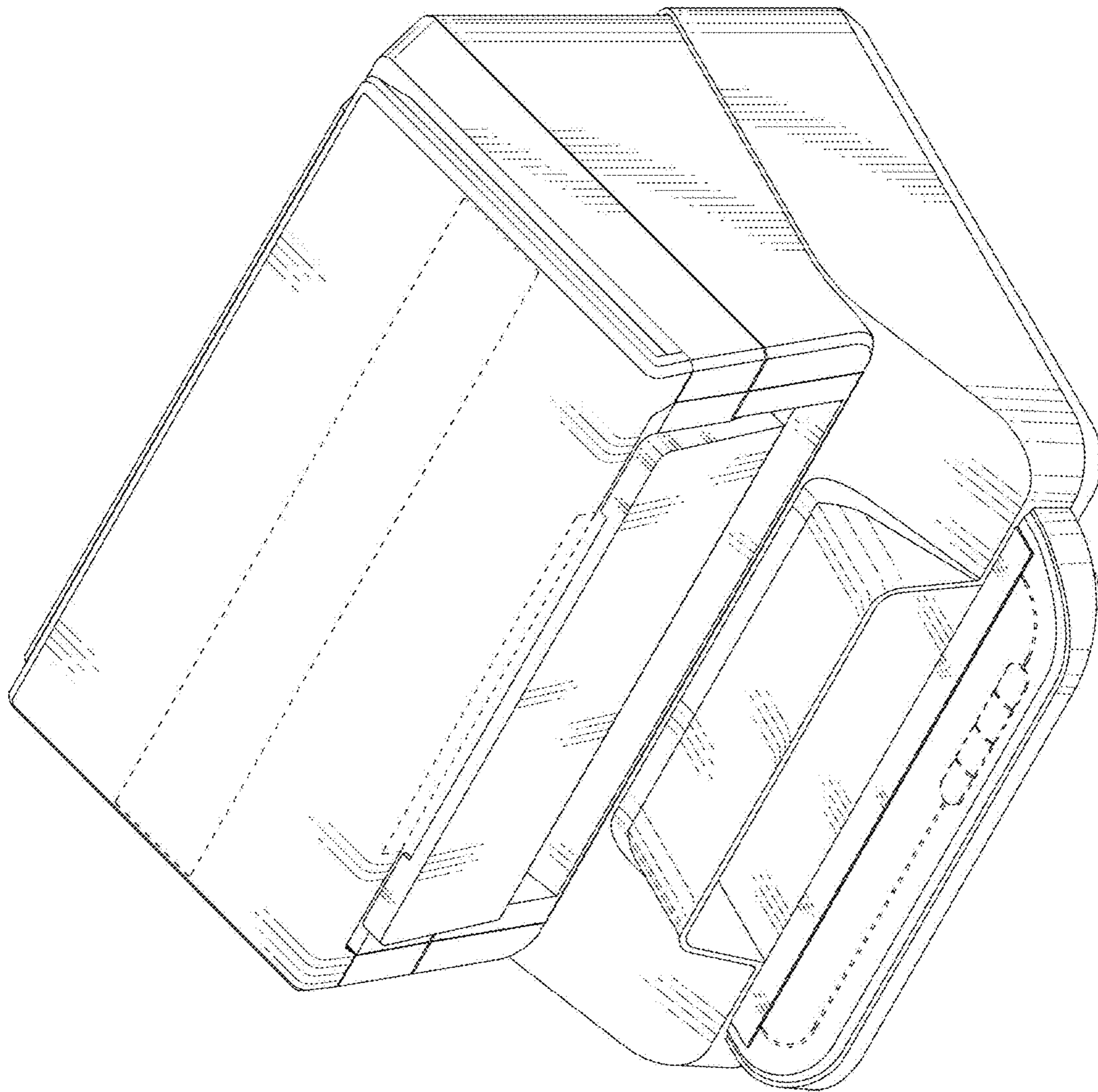


FIG. 1

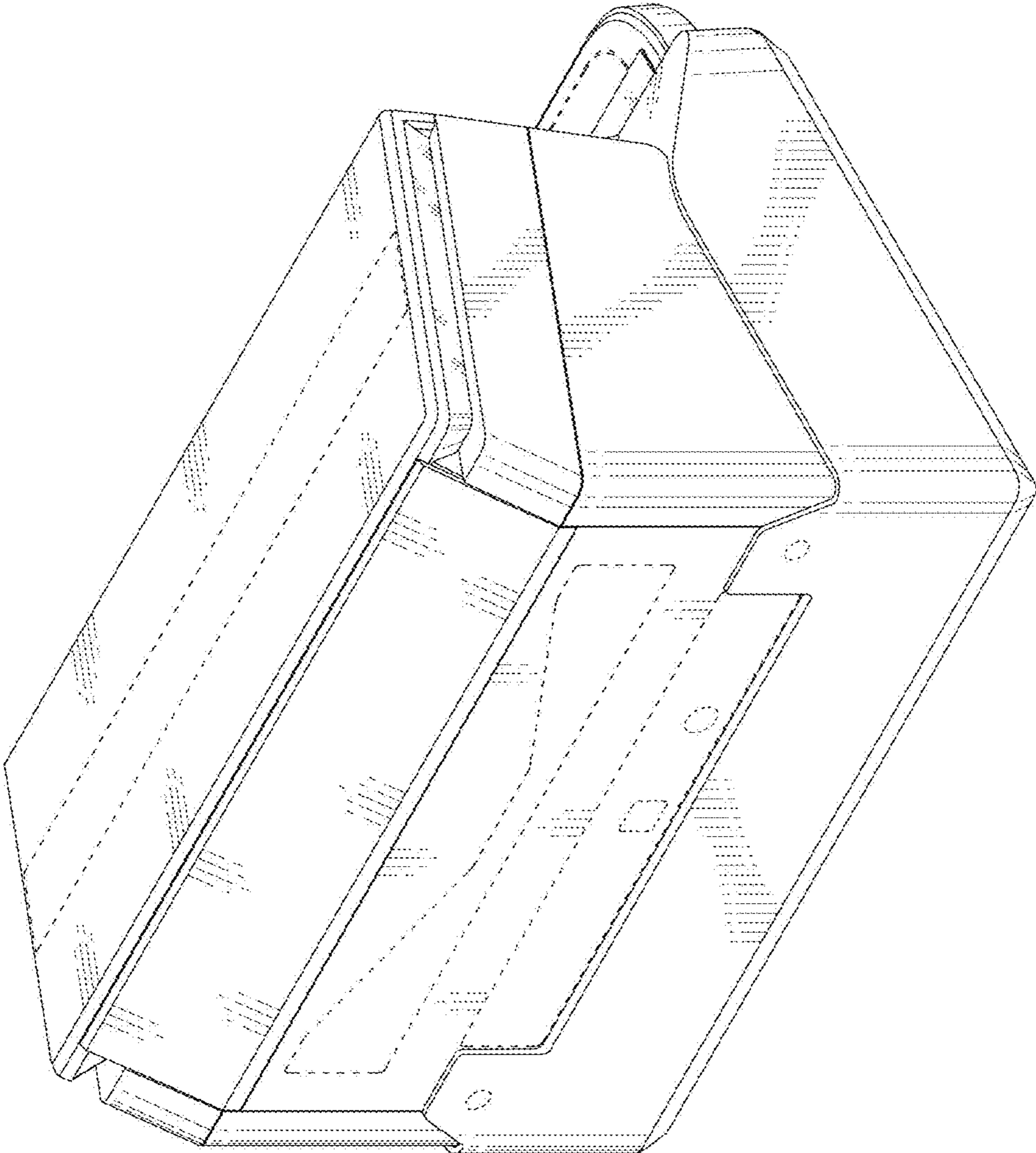


FIG. 2

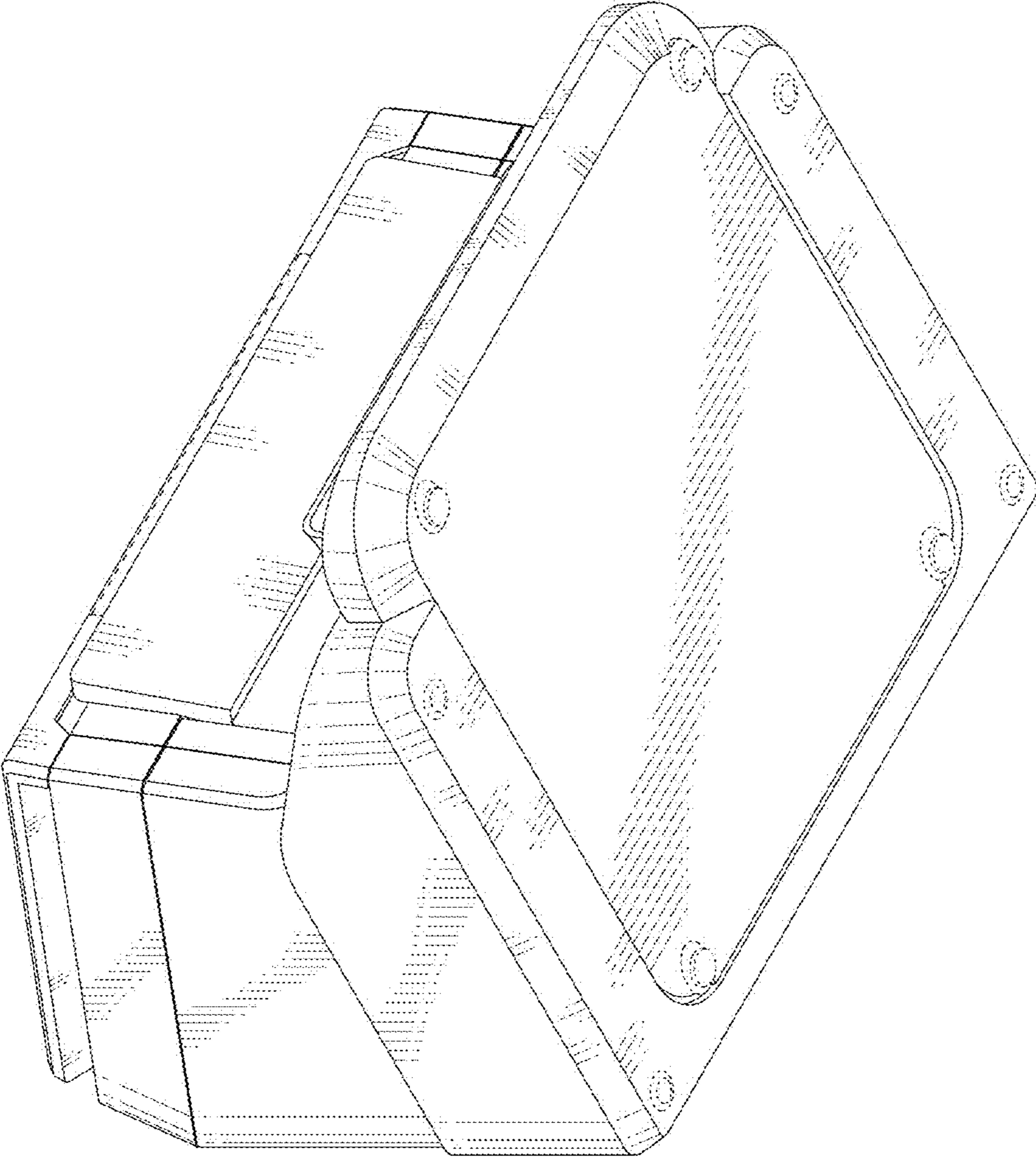


FIG. 3

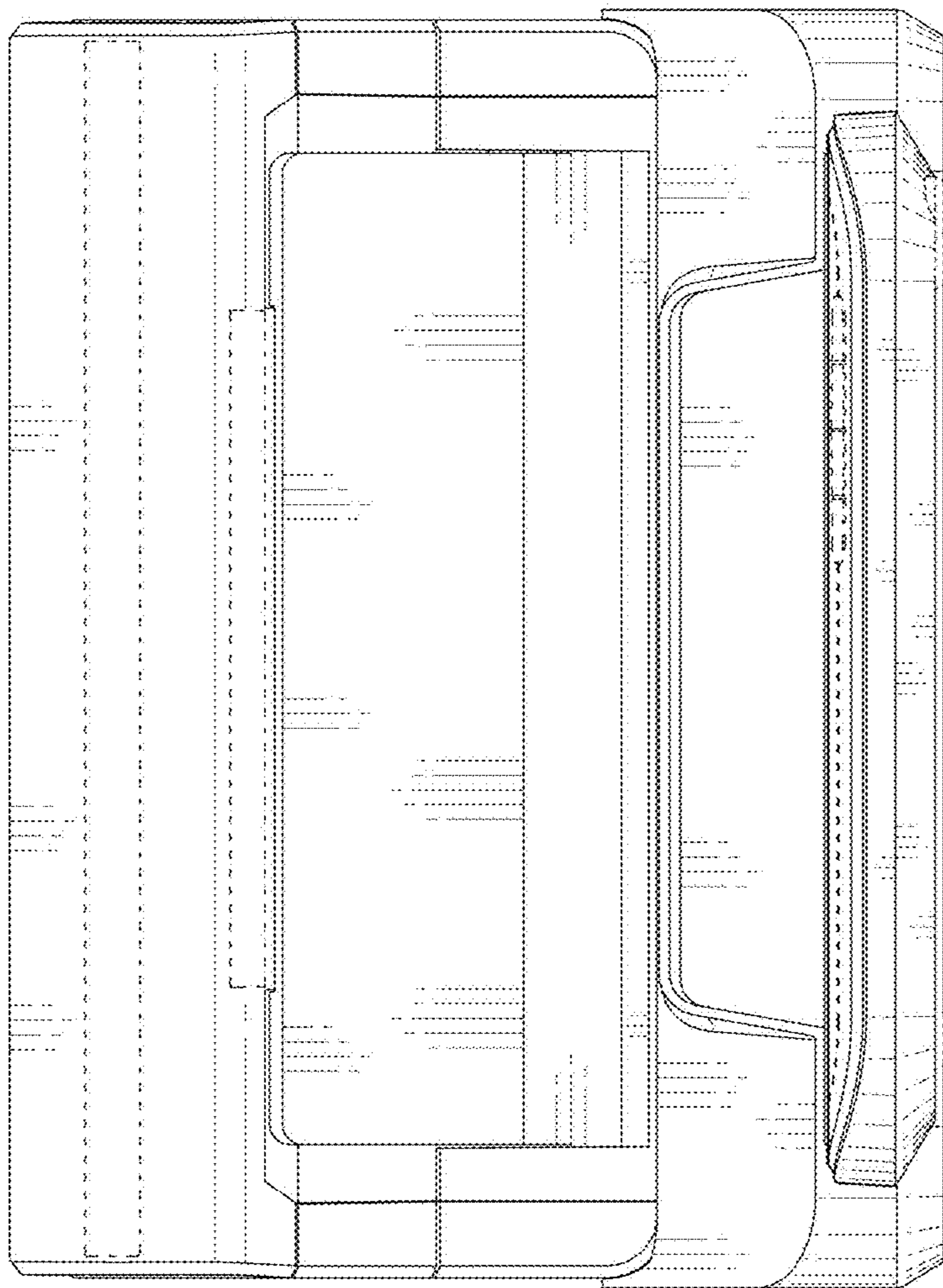


FIG. 4

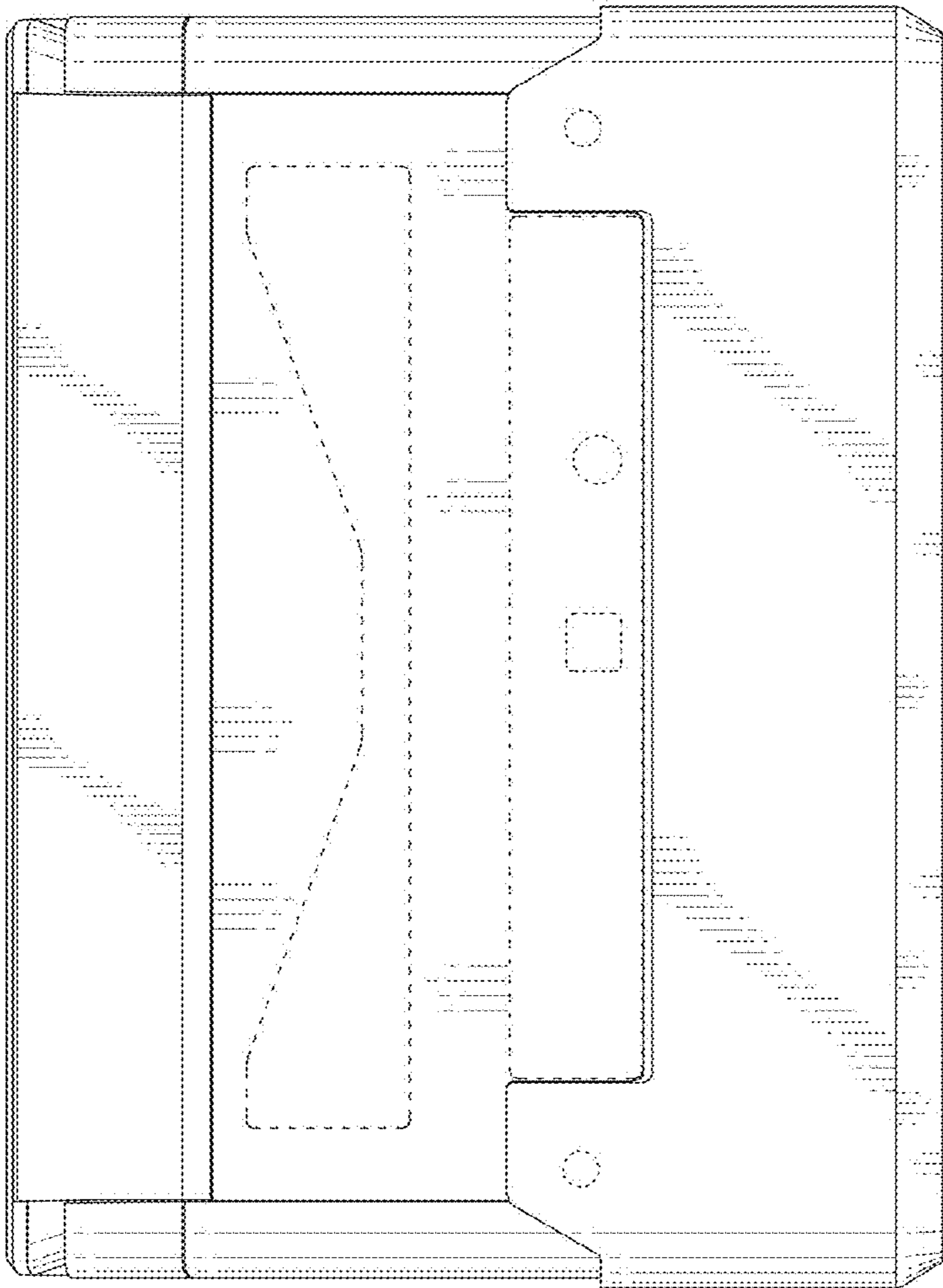


FIG. 5

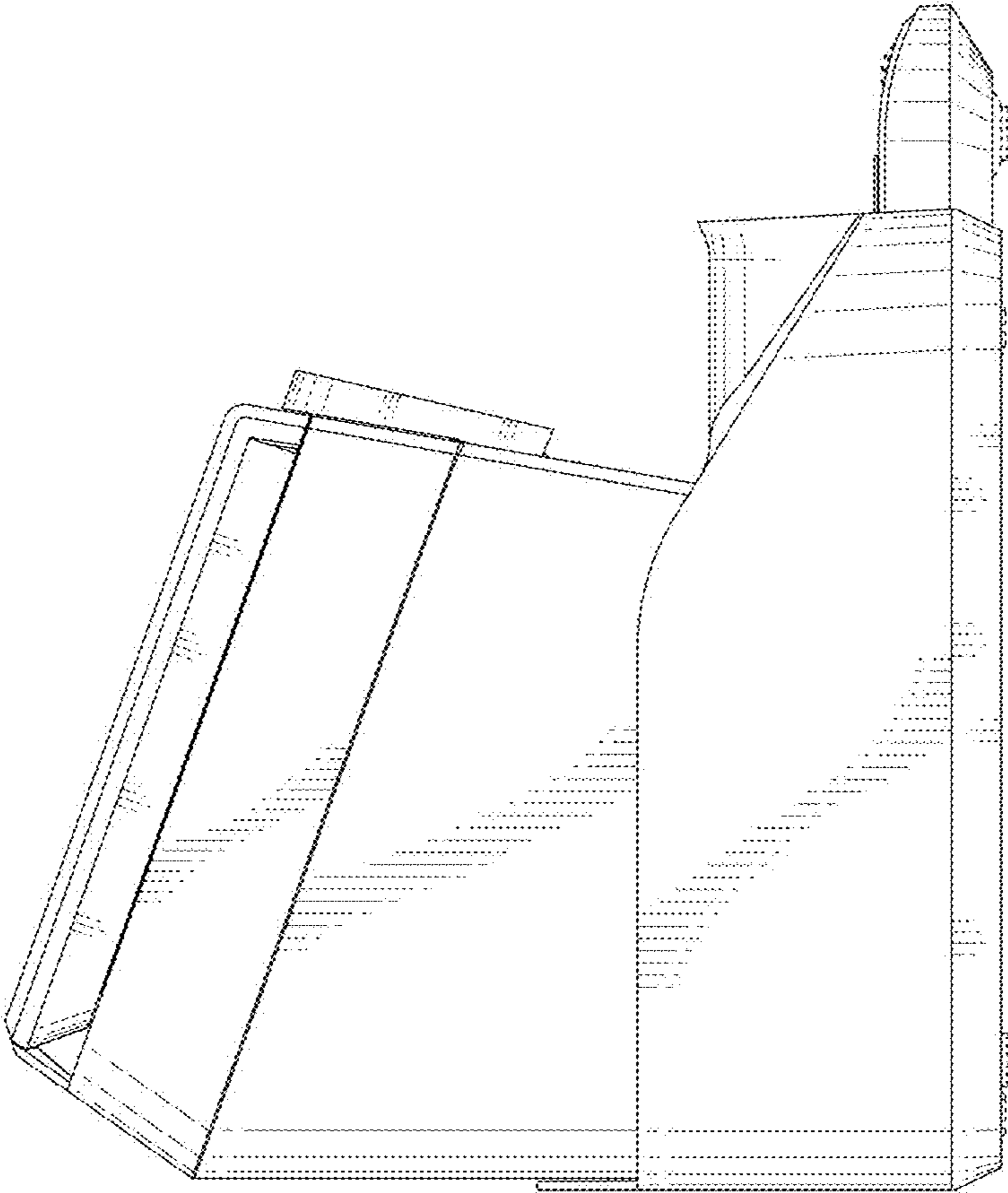


FIG. 6

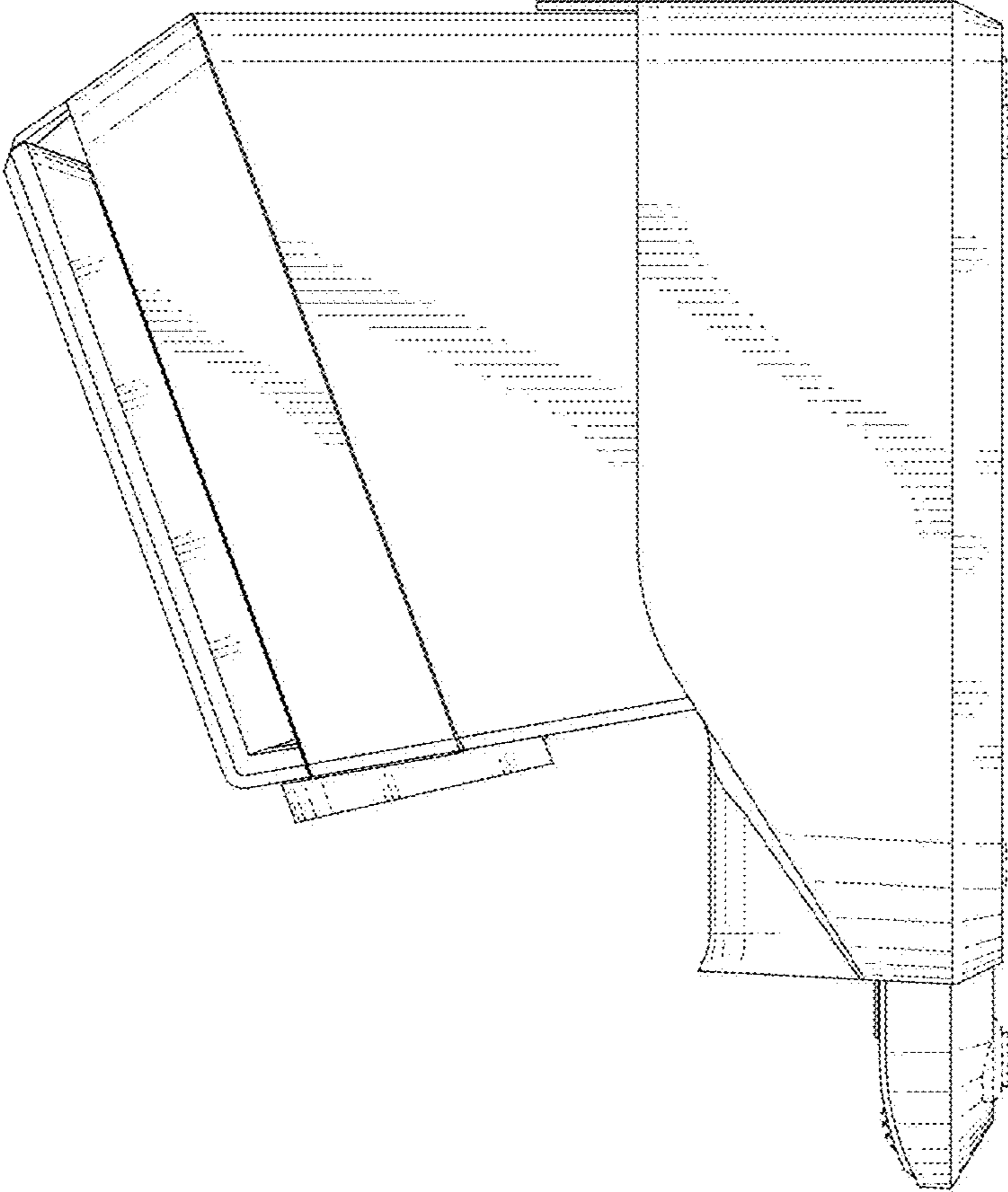


FIG. 7

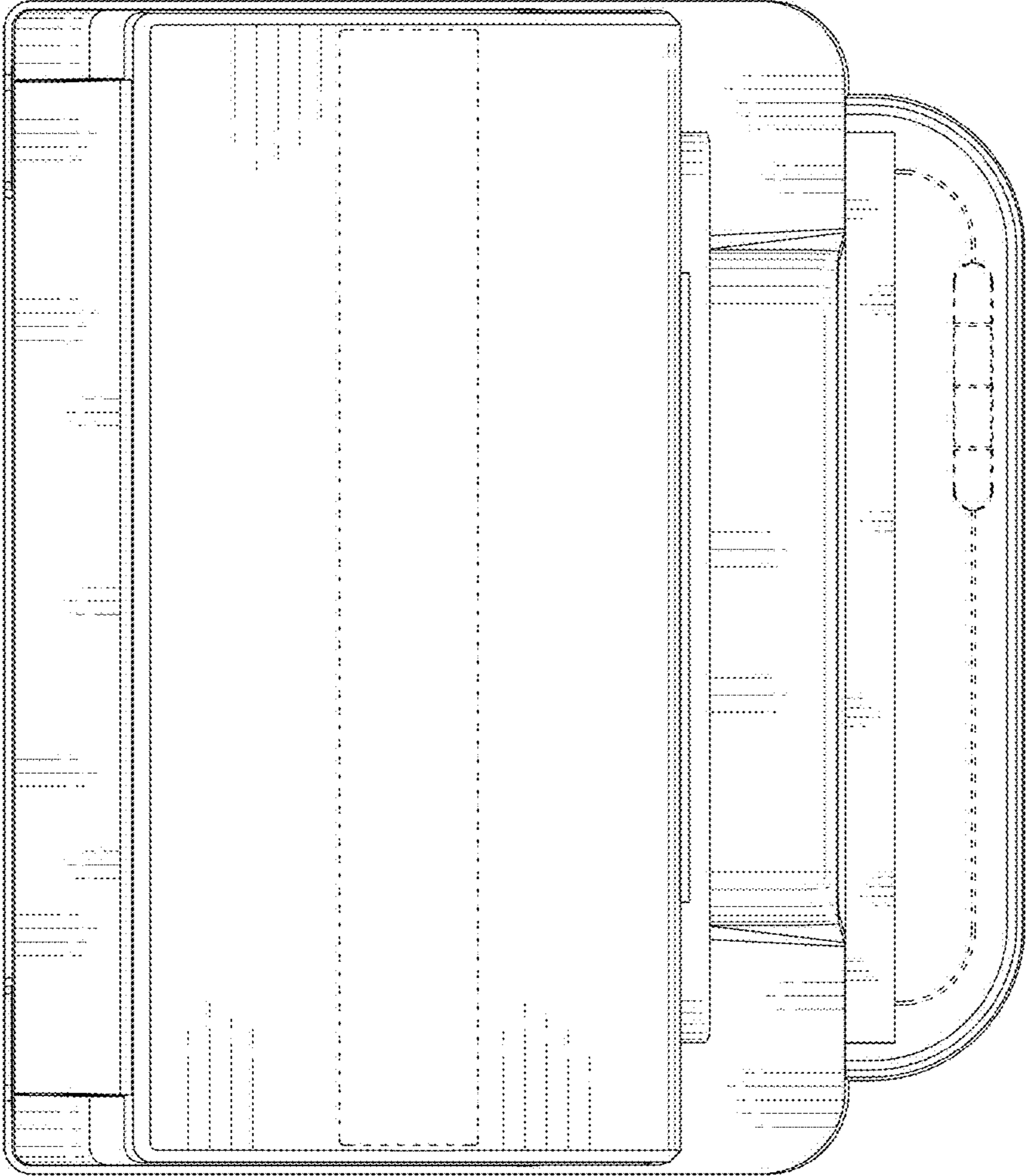


FIG. 8

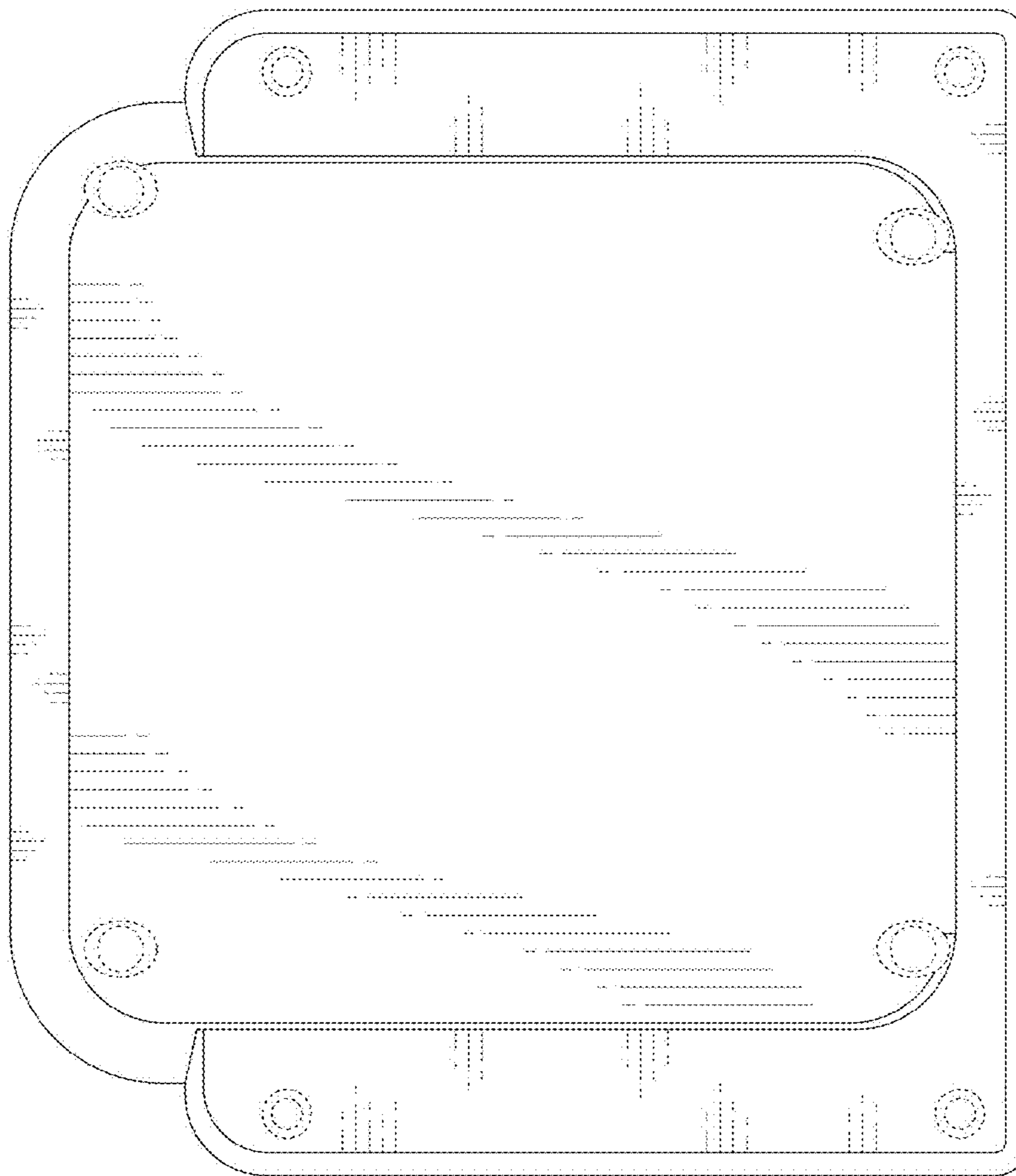


FIG. 9