



US00D881886S

(12) **United States Design Patent**  
**Bidwell et al.**

(10) **Patent No.:** **US D881,886 S**

(45) **Date of Patent:** **\*\* Apr. 21, 2020**

(54) **OPTICAL SCANNER**

(71) Applicant: **Hand Held Products, Inc.**, Fort Mill, SC (US)

(72) Inventors: **Dean J. Bidwell**, Renton, WA (US); **John S. Bandringa**, Everett, WA (US); **Roger Jackson**, Lake Forest Park, WA (US); **Tim Zurmoehle**, Seattle, WA (US); **William Herweh, III**, Seattle, WA (US); **Churu Yun**, Seattle, WA (US); **Matthew McElvogue**, Seattle, WA (US); **Rajat Shail**, Chicago, IL (US)

(73) Assignee: **HAND HELD PRODUCTS, INC.**, Fort Mill, SC (US)

(\*\*) Term: **15 Years**

(21) Appl. No.: **29/695,762**

(22) Filed: **Jun. 21, 2019**

**Related U.S. Application Data**

(63) Continuation of application No. 29/572,904, filed on Aug. 1, 2016, now Pat. No. Des. 859,411.

(51) **LOC (12) Cl.** ..... **14-02**

(52) **U.S. Cl.**  
USPC ..... **D14/420**

(58) **Field of Classification Search**  
USPC ..... D14/420, 426-430, 453, 233, 169, 172, D14/204, 216, 496, 358, 251, 240, 203.1, D14/356; 235/462.01, 462.11, 462.43, 235/462.45, 462.49, 472.01, 385, 454; 382/313, 321, 318; 358/473; 250/215, 250/216; D26/37-50, 24, 104, 107, 108, D26/61-63, 118, 128; 362/157, 158, 362/171-174, 183-208; 396/427; D16/200, 202-204, 208, 210, 214, 221,

D16/225; D19/1, 61; D21/713, 707, D21/505, 398, 386, 498, 479, 499; D30/160, 121, 110, 108, 117, 124, 127, (Continued)

(56) **References Cited**

U.S. PATENT DOCUMENTS

D50,730 S 5/1917 Hoche  
1,314,549 A 9/1919 Von Tobel  
(Continued)

OTHER PUBLICATIONS

Bidwell et al. "Optical Scanner and Handle", Design U.S. Appl. No. 29/572,907, filed Aug. 1, 2016, 130 pages, [Not yet published/granted].

(Continued)

*Primary Examiner* — Susan Moon Lee

(74) *Attorney, Agent, or Firm* — Alston & Bird LLP

(57) **CLAIM**

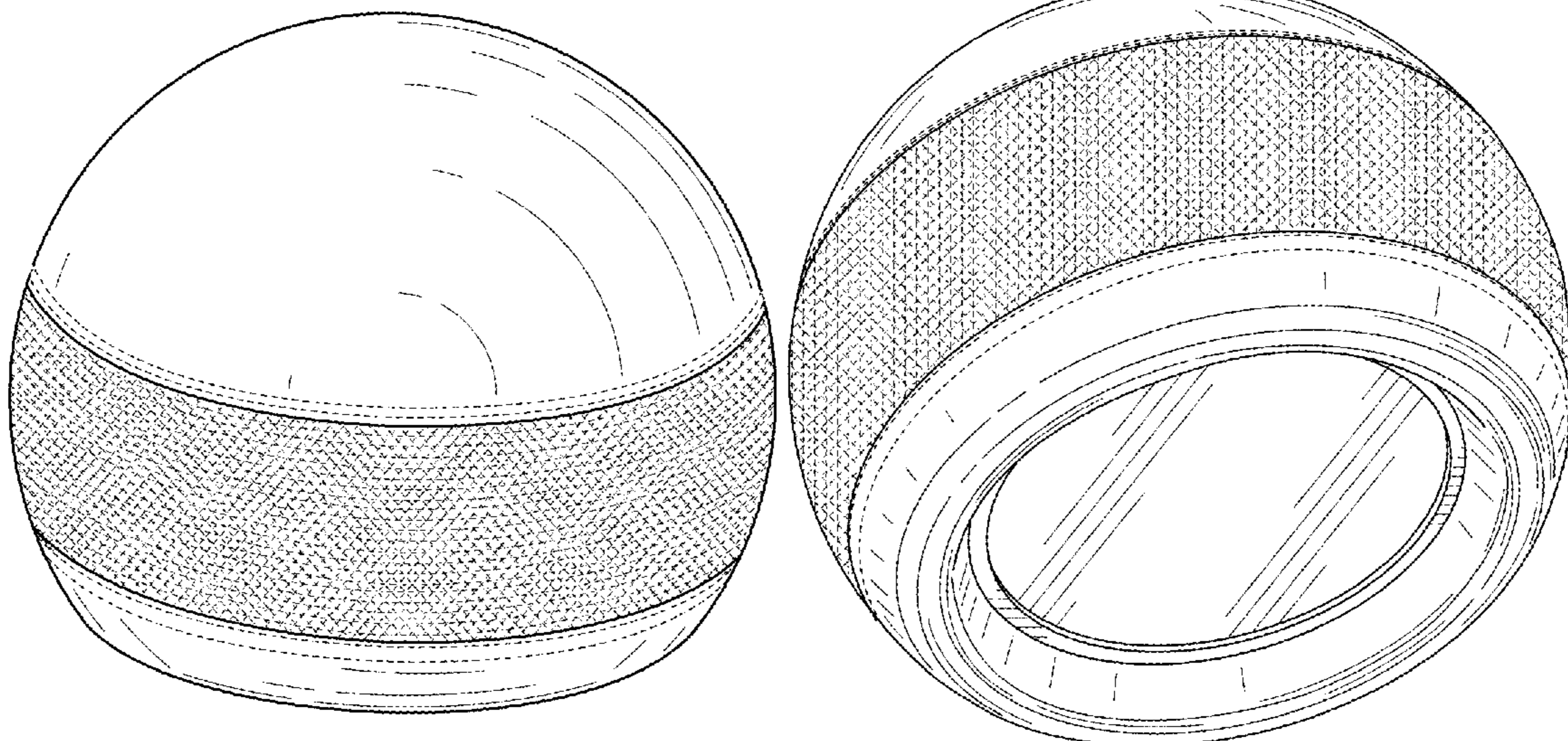
We claim the ornamental design for an optical scanner, as shown and described.

**DESCRIPTION**

FIG. 1 is a top, front perspective view of an optical scanner showing our new design;  
FIG. 2 is a bottom, front perspective view thereof;  
FIG. 3 is a bottom, rear perspective view thereof;  
FIG. 4 is a front elevation view thereof;  
FIG. 5 is a rear elevation view thereof;  
FIG. 6 is a right elevation view thereof;  
FIG. 7 is a left elevation view thereof;  
FIG. 8 is a top plan view thereof; and,  
FIG. 9 is a bottom plan view thereof.

The broken lines shown herein are for illustrative purposes, represent unclaimed features, and form no part of the claimed design.

**1 Claim, 9 Drawing Sheets**





(58) **Field of Classification Search**

USPC ..... D30/128; 119/707-711, 51.01, 51.11, 119/51.13, 51.15; 434/214, 278; 211/1; 273/155; 342/8; 428/66.5, 9; 446/199, 446/92, 85; 473/569; D3/271.1; D9/430, 651, 519, 504, 435, 454, 545; D24/214; 606/204; D23/366, 368; D10/70, 22, 23, 106.6, 104.1, 106.7, D10/106.8

CPC ..... G06K 7/10584; G06K 7/10613; G06K 7/10881; G06K 7/109; G06K 7/10693; G06K 7/10871; G06K 7/1096; G06K 7/10; G06K 7/10564; G06K 7/10594; G06K 7/10603; G06K 7/10663; G06K 7/10673; G06K 7/10702; G06K 7/10792; G06K 7/10633; G06K 7/10653; G06K 7/10891; G06K 7/14; G06K 7/1443; G06K 7/10801; G06K 7/10811; G06K 7/10851; G06K 7/10861; G06K 2207/1011; G06K 2207/1012; G06K 2207/1013; G06K 2207/1016; G06K 2207/1017; G06K 2207/1018; G06K 2207/10534; G06K 17/0022; A47F 9/046; A47F 9/047; G07G 1/0045; G04N 5/23238; G04N 5/2252; G04N 5/2251; G03B 17/02; B25H 5/00; B66F 7/28; G02B 26/10; G02B 26/106; G07F 11/002; G07F 11/02; G06Q 20/343; G06F 2203/0331

See application file for complete search history.

(56) **References Cited**

U.S. PATENT DOCUMENTS

D85,644 S \* 12/1931 Graff ..... D19/99  
 2,014,022 A 9/1935 Klein  
 D98,769 S 3/1936 Horwitt  
 D111,886 S 10/1938 Zagel  
 D112,545 S 12/1938 Younghusband  
 D118,671 S 1/1940 Mielziner  
 2,243,712 A 5/1941 Levy  
 D127,833 S 6/1941 Price  
 D128,967 S 8/1941 Peterson  
 2,271,836 A 2/1942 Francis  
 D134,595 S 12/1942 Van Es  
 D136,524 S 10/1943 Swainson  
 D153,420 S 4/1949 Dekanski  
 D175,498 S 9/1955 Easton  
 2,745,642 A 5/1956 Hermann  
 2,784,512 A 3/1957 Goodwin  
 2,836,339 A 5/1958 Pringle  
 2,881,552 A 4/1959 Miller  
 2,881,850 A 4/1959 Bonn  
 D186,892 S 12/1959 Wilber et al.  
 2,918,568 A 12/1959 Steber  
 2,932,821 A \* 4/1960 Horton ..... A61M 21/00  
 340/384.1  
 3,026,955 A 3/1962 Wilber  
 3,119,621 A 1/1964 Bookman  
 3,168,315 A 2/1965 Bookman  
 3,170,538 A 2/1965 Detrick  
 3,179,791 A 4/1965 Mole  
 D207,710 S \* 5/1967 Faux ..... D14/172  
 D209,710 S \* 12/1967 Bruce ..... D14/133  
 D210,538 S 3/1968 Lahti  
 3,385,929 A 5/1968 John et al.  
 D211,644 S 7/1968 Sterkenburg et al.  
 3,435,910 A 4/1969 Lahti  
 D223,962 S 6/1972 McQuarrie  
 D224,233 S 7/1972 Fukjita  
 D227,615 S 7/1973 Chambon

D229,973 S 1/1974 Houlihan et al.  
 D230,954 S 3/1974 Gregoriotti  
 3,797,123 A 3/1974 Fraley  
 3,812,301 A 5/1974 Lahti  
 3,824,001 A 7/1974 Rosenberg  
 D232,858 S 9/1974 Husby  
 3,847,305 A 11/1974 Tobin  
 D234,799 S 4/1975 Robson  
 D238,098 S 12/1975 Fink  
 D241,054 S 8/1976 Fortier  
 3,976,838 A 8/1976 Stallings, Jr.  
 D246,317 S 11/1977 Heath et al.  
 D247,898 S 5/1978 Plomp et al.  
 D255,988 S \* 7/1980 Mascia ..... D9/518  
 D260,299 S 8/1981 D'Ercoli  
 4,394,716 A \* 7/1983 Campagna ..... F21S 8/00  
 362/158  
 4,437,145 A \* 3/1984 Roller ..... F21V 15/04  
 362/306  
 D276,703 S 12/1984 Au  
 D281,066 S 10/1985 Humble et al.  
 D285,978 S 9/1986 Rice  
 D286,858 S 11/1986 Giorgio  
 D291,363 S 8/1987 Schmidt  
 D291,991 S \* 9/1987 Lee ..... D14/147  
 D292,311 S 10/1987 Joyaux et al.  
 4,760,774 A 8/1988 Lin  
 4,765,501 A 8/1988 Kao  
 4,865,153 A 9/1989 Toyoda  
 D312,408 S 11/1990 Isobe  
 D315,562 S 3/1991 Brown  
 D318,613 S 7/1991 Halm et al.  
 D319,120 S 8/1991 Kuhn  
 D319,583 S 9/1991 Halm et al.  
 D324,049 S 2/1992 Endo  
 D324,106 S 2/1992 Greenblatt  
 D326,455 S \* 5/1992 Kanellos ..... D11/131  
 D326,656 S 6/1992 Koza  
 D326,778 S 6/1992 Vetter  
 D333,155 S 2/1993 Hiromori  
 D333,784 S 3/1993 Goodman  
 D336,880 S 6/1993 Drummond  
 D339,986 S 10/1993 Garouste et al.  
 D345,788 S \* 4/1994 Green ..... D23/366  
 D346,869 S \* 5/1994 Houssian ..... D26/26  
 D353,296 S 12/1994 Assmann  
 D358,350 S 5/1995 Bedrosian  
 5,486,989 A \* 1/1996 Compton ..... F21S 8/04  
 362/147  
 D367,207 S 2/1996 Lutzker  
 5,585,616 A 12/1996 Roxby et al.  
 D387,808 S \* 12/1997 Carlson ..... D19/86  
 D388,464 S \* 12/1997 Najbart ..... D19/78  
 D389,516 S \* 1/1998 Delman ..... D19/135  
 D390,612 S 2/1998 Brakefield  
 D390,778 S 2/1998 Lee  
 D392,805 S 3/1998 Petersen Whitcomb  
 D393,016 S 3/1998 Young  
 D395,715 S 6/1998 Queen  
 D395,833 S 7/1998 Richter  
 5,792,496 A 8/1998 Fekete et al.  
 D398,774 S 9/1998 Yu  
 D404,681 S 1/1999 Galerneau  
 D407,518 S 3/1999 Yeh  
 D408,285 S 4/1999 Favre  
 D411,132 S 6/1999 Hornsby et al.  
 D414,573 S 9/1999 Hussaini et al.  
 5,952,620 A \* 9/1999 Hamilton ..... H04R 1/345  
 181/153  
 D420,403 S 2/2000 Bart et al.  
 D422,692 S 4/2000 Quinones  
 D422,847 S 4/2000 Hansen  
 D424,725 S \* 5/2000 Cousins ..... D26/37  
 D425,221 S \* 5/2000 Burns ..... D26/26  
 D425,706 S \* 5/2000 Calderone ..... D3/200  
 D426,858 S \* 6/2000 Straus ..... D21/329  
 D430,142 S 8/2000 Kuo et al.  
 D430,358 S 8/2000 Papiernik  
 D434,514 S 11/2000 Wachter



(56)

References Cited

U.S. PATENT DOCUMENTS

D440,557 S	4/2001	Su	
D445,831 S	7/2001	Lindner	
6,257,492 B1	7/2001	Bressler et al.	
D451,425 S *	12/2001	Cohen .....	D11/79
6,368,176 B1	4/2002	Lozowski et al.	
D457,667 S *	5/2002	Piepgas .....	D26/26
D458,395 S *	6/2002	Piepgas .....	D26/26
D460,362 S	7/2002	Kalman	
D460,920 S	7/2002	Kalman	
D460,952 S	7/2002	Kataoka	
D464,571 S	10/2002	Hill et al.	
D465,733 S	11/2002	Hill	
D467,186 S	12/2002	Chen	
D467,238 S	12/2002	Hlas et al.	
D468,654 S	1/2003	Wuensch	
D471,553 S	3/2003	Nybank	
D473,160 S *	4/2003	Weissman .....	D11/220
6,555,069 B1	4/2003	Ferguson	
D475,288 S *	6/2003	Hoffmann .....	D9/426
D476,095 S	6/2003	Baarman et al.	
D477,022 S	7/2003	Rosenbaum	
D478,813 S	8/2003	Beene	
D478,890 S	8/2003	Ng	
D480,000 S	9/2003	Hirato	
6,644,834 B2	11/2003	Christen	
D484,229 S	12/2003	Upton	
D484,486 S	12/2003	Solland	
D484,585 S	12/2003	Upton	
D485,251 S *	1/2004	Lee .....	D14/499
D487,111 S	2/2004	Rosenbaum	
D487,737 S	3/2004	Lewis	
D487,739 S	3/2004	Wise	
D488,166 S	4/2004	Daniels	
6,783,033 B1 *	8/2004	Chan .....	B43M 99/009 206/340
D497,612 S	10/2004	Olson	
D500,998 S	1/2005	Inoue	
D501,460 S	2/2005	Inoue	
D505,749 S	5/2005	Angeletta	
D510,926 S	10/2005	Jerome	
D514,548 S	2/2006	Chan	
D519,112 S	4/2006	Yang	
D521,005 S *	5/2006	Lin .....	D14/402
D521,620 S *	5/2006	Tseng .....	D23/364
D524,799 S	7/2006	Hibi	
D525,375 S *	7/2006	Funck .....	D26/26
D525,880 S	8/2006	Okamura	
D526,644 S	8/2006	Breit	
D527,008 S	8/2006	Greenrod	
D528,257 S	9/2006	Leclerc et al.	
7,104,656 B2	9/2006	Dwyer et al.	
D529,397 S	10/2006	Lavigne et al.	
D531,061 S	10/2006	Oas	
7,149,152 B1	12/2006	Chan	
D537,436 S	2/2007	Lye	
D539,251 S	3/2007	Heath	
D540,291 S	4/2007	Heath	
D541,228 S	4/2007	Thursfield	
D541,260 S	4/2007	Christianson	
D543,244 S *	5/2007	Tsuruha .....	D19/73
D547,430 S	7/2007	Low	
D552,054 S	10/2007	Pena Angarita	
D552,084 S	10/2007	Chapman et al.	
D552,473 S	10/2007	Simkin	
D552,649 S	10/2007	Logan et al.	
D554,529 S	11/2007	Green et al.	
D554,682 S	11/2007	Martinez et al.	
D556,753 S	12/2007	Chiu et al.	
D557,258 S	12/2007	Steindl	
D561,030 S	2/2008	Simkin	
D563,412 S	3/2008	Faurous	
D564,900 S	3/2008	Green et al.	
D567,673 S	4/2008	Chu et al.	
D568,161 S	5/2008	Delli et al.	
D572,236 S	7/2008	Oxford et al.	
D572,535 S	7/2008	El-Ghouyel et al.	
D573,135 S *	7/2008	Laituri .....	D14/168
D574,363 S *	8/2008	Laituri .....	D14/168
D575,165 S	8/2008	Billings	
D575,433 S	8/2008	Nunes	
D577,868 S	9/2008	Rutherford et al.	
D578,002 S	10/2008	Canamasas Puigbo	
D579,937 S *	11/2008	Cohen .....	D14/408
D580,112 S	11/2008	Stiles	
D584,289 S	1/2009	Lee	
D584,290 S	1/2009	Lee	
D588,022 S	3/2009	Hocherman et al.	
D593,543 S	6/2009	Lui	
D596,306 S	7/2009	Levine	
D601,564 S	10/2009	Maeno	
D602,311 S	10/2009	Finell	
D602,915 S	10/2009	Song et al.	
D603,441 S	11/2009	Wada et al.	
D605,335 S	12/2009	Thun	
D605,337 S	12/2009	Zhang et al.	
D606,515 S	12/2009	Ludlum et al.	
D606,516 S	12/2009	Siegrist	
D606,699 S	12/2009	Wei	
D609,853 S	2/2010	Salatto-Rose	
D611,034 S	3/2010	Pineau	
D612,245 S	3/2010	Canamasas Puigbo	
D613,103 S	4/2010	Misir	
D615,693 S	5/2010	Thun	
D616,415 S	5/2010	Lum et al.	
D617,674 S	6/2010	Nakamura	
D617,930 S	6/2010	Chen	
D618,209 S	6/2010	Andre et al.	
D618,210 S	6/2010	Andre et al.	
D623,328 S	9/2010	Huang	
D623,436 S	9/2010	Lau	
D626,000 S	10/2010	Chertoff et al.	
D626,939 S	11/2010	Chen	
D628,223 S	11/2010	Kao et al.	
D631,204 S	1/2011	Dubitsky et al.	
D632,414 S	2/2011	Croce	
D632,548 S *	2/2011	Tracey .....	B65H 75/40 D8/358
D637,306 S *	5/2011	Feuerabend .....	D24/215
D640,142 S	6/2011	Bedol et al.	
D644,427 S	9/2011	Cunningham et al.	
D645,186 S	9/2011	Sabernig	
D645,846 S	9/2011	Mordechai	
D646,429 S	10/2011	Sabernig	
D647,508 S	10/2011	Lee et al.	
D650,280 S	12/2011	De et al.	
D654,866 S *	2/2012	Rautiainen .....	D13/108
D655,168 S	3/2012	In	
D656,829 S	4/2012	Watabe	
D659,680 S	5/2012	Kim et al.	
D659,736 S	5/2012	Cheng	
D660,502 S	5/2012	Mancini et al.	
D661,540 S	6/2012	Facey	
D662,122 S	6/2012	Goodwin et al.	
D663,731 S	7/2012	Pajic	
D670,040 S	10/2012	Aboujaoude	
D672,465 S *	12/2012	Sherman .....	D24/207
D674,103 S	1/2013	Smith	
D676,423 S	2/2013	Joseph	
D678,929 S	3/2013	Hancock	
8,444,337 B2	5/2013	Teller	
8,457,339 B2	6/2013	Li	
D685,790 S *	7/2013	Tang .....	D14/218
D690,872 S	10/2013	Meise et al.	
D690,873 S	10/2013	Meise et al.	
D692,547 S	10/2013	Wirz	
D692,551 S	10/2013	Wirz	
D696,298 S	12/2013	Britt et al.	
D696,555 S	12/2013	Kolano	
D698,909 S	2/2014	Chou	
D698,984 S	2/2014	Meise et al.	
D699,218 S *	2/2014	Lee .....	D14/216
D699,674 S	2/2014	Man	
D700,591 S	3/2014	Xiao et al.	
D700,904 S *	3/2014	Miller .....	D13/168



(56)

References Cited

U.S. PATENT DOCUMENTS

8,662,015 B2 *	3/2014	Puckett	.....	A01K 39/014 119/51.01	D789,915 S	6/2017	Heinrich et al.	
D703,364 S	4/2014	Meise et al.			D790,620 S	6/2017	Lee et al.	
D705,844 S	5/2014	Bart et al.			D791,955 S	7/2017	Gilbert et al.	
D707,561 S	6/2014	You			D793,363 S	8/2017	Zhang	
D711,351 S	8/2014	Breines			D793,869 S	8/2017	Jeon	
D712,378 S	9/2014	Mackiewicz et al.			D794,106 S	8/2017	Wang et al.	
D714,416 S *	9/2014	Sehl	.....	D22/122	D795,220 S *	8/2017	Uziel	..... D14/216
D719,248 S *	12/2014	Smith, Jr.	.....	D23/356	D797,575 S	9/2017	Lai et al.	
D720,332 S *	12/2014	Kim	.....	D14/216	D800,285 S	10/2017	Seo et al.	
8,979,680 B2	3/2015	Hudack, III			D801,303 S	10/2017	Holzer	
8,994,643 B2	3/2015	Massie et al.			D801,307 S	10/2017	Kim et al.	
D726,028 S	4/2015	Thompson			D802,462 S	11/2017	Morneau et al.	
D726,157 S	4/2015	Chang			D802,825 S	11/2017	Michael	
D726,651 S	4/2015	Lin			D803,060 S	11/2017	Marina et al.	
D729,204 S *	5/2015	Tze-Yen	.....	D14/216	D803,191 S	11/2017	Luo et al.	
D729,370 S	5/2015	Chou			9,830,005 B2	11/2017	Sakaguchi et al.	
D729,489 S	5/2015	Bell			D804,449 S *	12/2017	Cheney	..... D14/216
D729,778 S	5/2015	Langis et al.			D806,711 S	1/2018	Sakaguchi et al.	
D730,891 S *	6/2015	Wang	.....	D14/314	D808,927 S *	1/2018	Schaal	..... D14/216
D730,966 S	6/2015	Liu			D808,928 S *	1/2018	Schaal	..... D14/216
D731,180 S	6/2015	Neuhaus			D809,481 S *	2/2018	McManigal	..... D14/216
D731,334 S *	6/2015	Fiedler	.....	D10/70	D809,483 S *	2/2018	Fischer	..... D14/216
D731,579 S *	6/2015	Bart	.....	D16/203	D809,951 S	2/2018	Yang et al.	
D732,033 S *	6/2015	Sakaguchi	.....	D14/388	D810,166 S	2/2018	Lee et al.	
D732,341 S *	6/2015	Matharu	.....	D7/300	D810,804 S	2/2018	Borel et al.	
D733,690 S	7/2015	Zukowski			D811,392 S	2/2018	Lu et al.	
D734,337 S	7/2015	Volta et al.			D813,761 S *	3/2018	Balaresque	..... D12/174
D736,453 S	8/2015	Motzkin			D813,841 S	3/2018	Robinson	
D738,376 S *	9/2015	Sakaguchi	.....	D14/388	D815,371 S	4/2018	Christianson	
D738,968 S *	9/2015	Oz	.....	D21/659	D817,935 S	5/2018	Zukowski	
D742,955 S	11/2015	Kozko et al.			D818,853 S	5/2018	Golnik et al.	
D743,941 S	11/2015	Patsis			D820,426 S	6/2018	Li	
D744,977 S	12/2015	Wagner			D821,359 S *	6/2018	Tong	..... D14/216
D745,910 S	12/2015	Hollinger			D822,104 S *	7/2018	Shoenhair	..... D18/57
D746,255 S *	12/2015	Tze-Yen	.....	D14/204	D822,761 S *	7/2018	Shoenhair	..... D18/57
D747,357 S	1/2016	Barbaric et al.			10,032,054 B2	7/2018	Hsieh et al.	
D747,984 S *	1/2016	Zhao	.....	D10/52	D825,529 S *	8/2018	Huang	..... D14/216
D747,995 S	1/2016	McLaughlin			D825,731 S	8/2018	Hou	
9,232,844 B2	1/2016	Thompson			D826,718 S *	8/2018	The	..... D9/519
D749,661 S	2/2016	Yang et al.			D828,330 S *	9/2018	Nylen	..... D14/216
D750,450 S	3/2016	Goldsmith			D828,332 S *	9/2018	Hu	..... D14/216
D752,404 S	3/2016	Pelgrom			D828,333 S *	9/2018	Hu	..... D14/216
D752,545 S *	3/2016	Chen	.....	D14/207	D829,192 S	9/2018	Liu	
D752,546 S *	3/2016	Chen	.....	D14/207	D829,688 S *	10/2018	Tanaka	..... D14/216
D752,548 S *	3/2016	Chen	.....	D14/207	D831,783 S *	10/2018	Willert	..... D22/122
D753,279 S	4/2016	Li			D832,326 S *	10/2018	Lee	..... D15/199
D753,868 S	4/2016	Smith et al.			D834,000 S *	11/2018	Paslawski	..... D14/216
D754,662 S	4/2016	Volta et al.			D834,299 S	11/2018	Van Langen	
D756,326 S	5/2016	Holzer			D836,569 S *	12/2018	Kim	..... D13/168
D756,327 S *	5/2016	Conti	.....	D14/204	D836,606 S *	12/2018	Kangasmaa	..... D14/216
D758,349 S	6/2016	Chen			D836,698 S *	12/2018	Hathway	..... D16/203
D758,557 S	6/2016	Jih			D842,915 S *	3/2019	Hathway	..... D16/203
D758,641 S	6/2016	Marschman			D842,916 S *	3/2019	Hathway	..... D16/203
D758,779 S	6/2016	Regamy et al.			D848,405 S *	5/2019	Bould	..... D14/240
D760,527 S	7/2016	Jones			D852,077 S *	6/2019	Seaberry	..... D10/118
D760,648 S	7/2016	Lee et al.			D855,583 S *	8/2019	Capecelatro	..... D14/216
D764,112 S	8/2016	Teller et al.			D859,411 S *	9/2019	Bidwell	..... D14/420
D764,589 S *	8/2016	Lehmann	.....	D19/67	D862,417 S *	10/2019	Chalabi	..... D14/216
D765,617 S	9/2016	Mackiewicz et al.			D863,258 S *	10/2019	Song	..... D14/218
D769,875 S	10/2016	Volta et al.			D864,158 S *	10/2019	Koh	..... D14/207
D770,415 S	11/2016	Pellisari et al.			D864,162 S *	10/2019	Peterson	..... D14/216
D770,417 S	11/2016	Chen			D864,930 S *	10/2019	Bould	..... D14/240
D772,457 S	11/2016	Lee et al.			D864,961 S *	10/2019	Sakaguchi	..... D14/388
D772,968 S *	11/2016	Lee	.....	D16/225	D865,367 S *	11/2019	Courtney	..... D4/104
D774,013 S	12/2016	Kusumoto et al.			D866,517 S *	11/2019	Wakasa	..... D14/216
D777,235 S	1/2017	Jang et al.			D866,519 S *	11/2019	Yanjie	..... D14/216
D777,482 S	1/2017	Schwalbach et al.			D866,553 S *	11/2019	Miura	..... D14/388
D777,847 S *	1/2017	Rost	.....	D21/680	D868,031 S *	11/2019	Ryu	..... D14/216
D778,399 S *	2/2017	Leier	.....	D22/122	2002/0030107 A1	3/2002	Byun et al.	
D780,151 S	2/2017	Jeon			2003/0080197 A1 *	5/2003	Tuomikoski	..... A01M 31/008 239/44
D781,274 S	3/2017	Kim et al.			2005/0012909 A1 *	1/2005	Kokin	..... G03B 21/30 353/119
D785,481 S	5/2017	McLaughlin			2006/0081721 A1 *	4/2006	Caserta	..... A01M 1/2044 239/44
D787,338 S *	5/2017	Dorsinville	.....	D9/519	2007/0160246 A1 *	7/2007	Vollmer	..... H04R 1/323 381/336
D789,906 S	6/2017	Zhang			2007/0295283 A1 *	12/2007	Gick	..... A01K 15/021 119/707

(56)

**References Cited**

U.S. PATENT DOCUMENTS

2008/0137880 A1\* 6/2008 Mills ..... H04R 1/026  
381/79  
2008/0160224 A1\* 7/2008 Nakamura ..... A47G 33/08  
428/7  
2009/0140050 A1 6/2009 Liu et al.  
2010/0065654 A1 3/2010 Wheatley et al.  
2010/0095902 A1 4/2010 Kuwa  
2010/0139569 A1 6/2010 Xu et al.  
2011/0061605 A1 3/2011 Hardi et al.  
2012/0310188 A1 12/2012 Croizat et al.  
2013/0335712 A1\* 12/2013 Lanchava ..... G09F 19/18  
353/52  
2014/0139466 A1\* 5/2014 Sakaguchi ..... G06F 3/011  
345/173  
2015/0268737 A1\* 9/2015 Gelfond ..... G06F 3/017  
345/156  
2016/0246373 A1\* 8/2016 Sakaguchi ..... G06F 3/016  
2017/0168595 A1\* 6/2017 Sakaguchi ..... G06F 3/167

2017/0228048 A1\* 8/2017 Miura ..... G06F 3/0362  
2018/0098439 A1\* 4/2018 Tak ..... H04R 1/24  
2018/0312292 A1 11/2018 Florez-Bedoya et al.

OTHER PUBLICATIONS

Bidwell et al. "Printer", Design U.S. Appl. No. 29/572,909, filed Aug. 1, 2016, 51 pages, [Not yet published/granted].  
Bidwell et al., "Headset", Design U.S. Appl. No. 29/572,887, filed Aug. 1, 2016, 73 pages, [Not yet published/granted].  
Bidwell et al., "Headset", Design U.S. Appl. No. 29/572,890, filed Aug. 1, 2016, 65 pages, [Not yet published/granted].  
Memke et al. "Optical Scanner and Base", Design U.S. Appl. No. 29/572,902, filed Aug. 1, 2016, 57 pages, [Not yet published/granted].  
Memke et al. "Optical Scanner", Design U.S. Appl. No. 29/572,896, filed Aug. 1, 2016, 57 pages, [Not yet published/granted].  
Memke et al. "Optical Scanner", Design U.S. Appl. No. 29/572,898, filed Aug. 1, 2016, 57 pages, [Not yet published/granted].

\* cited by examiner



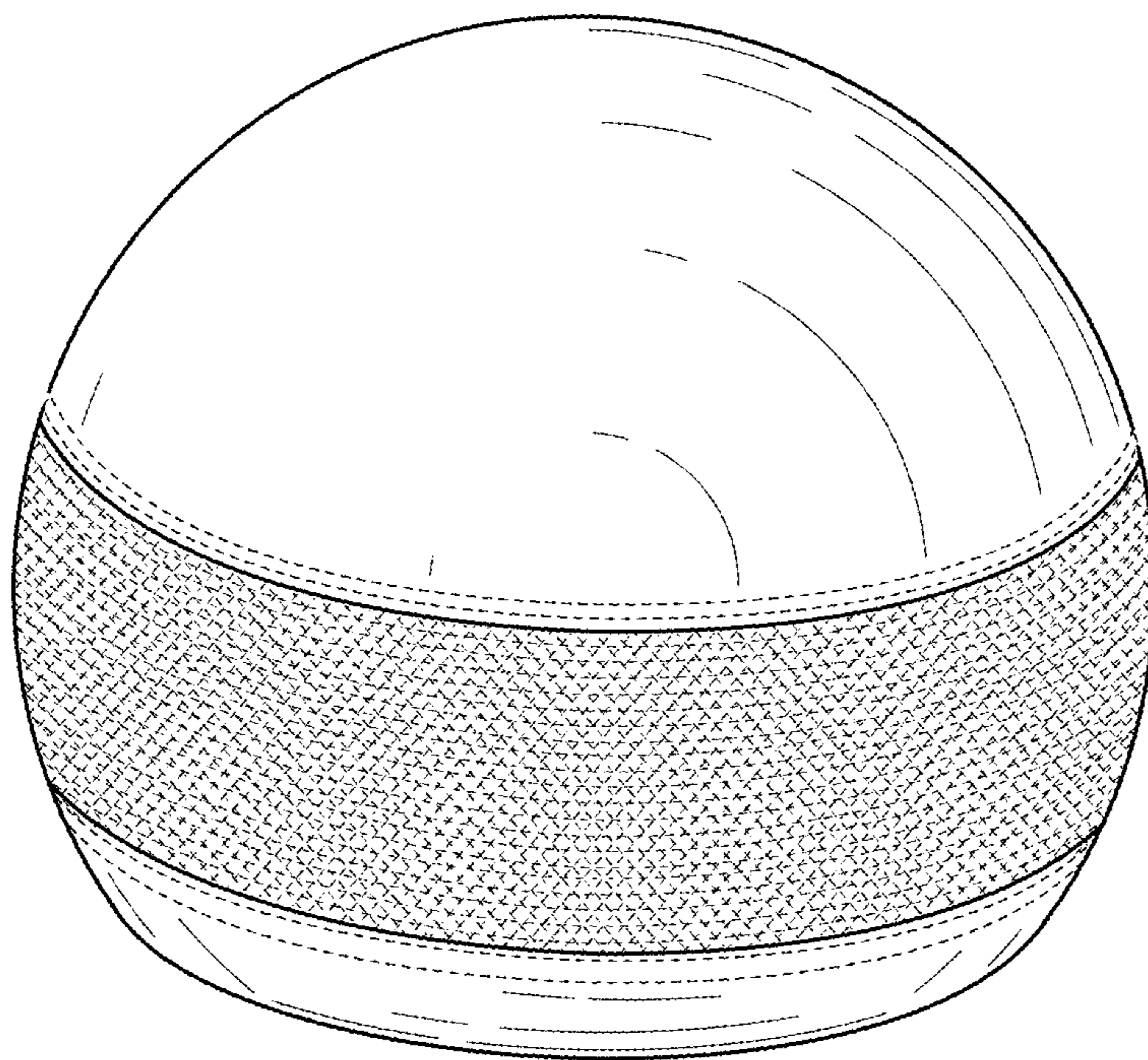


FIG. 1

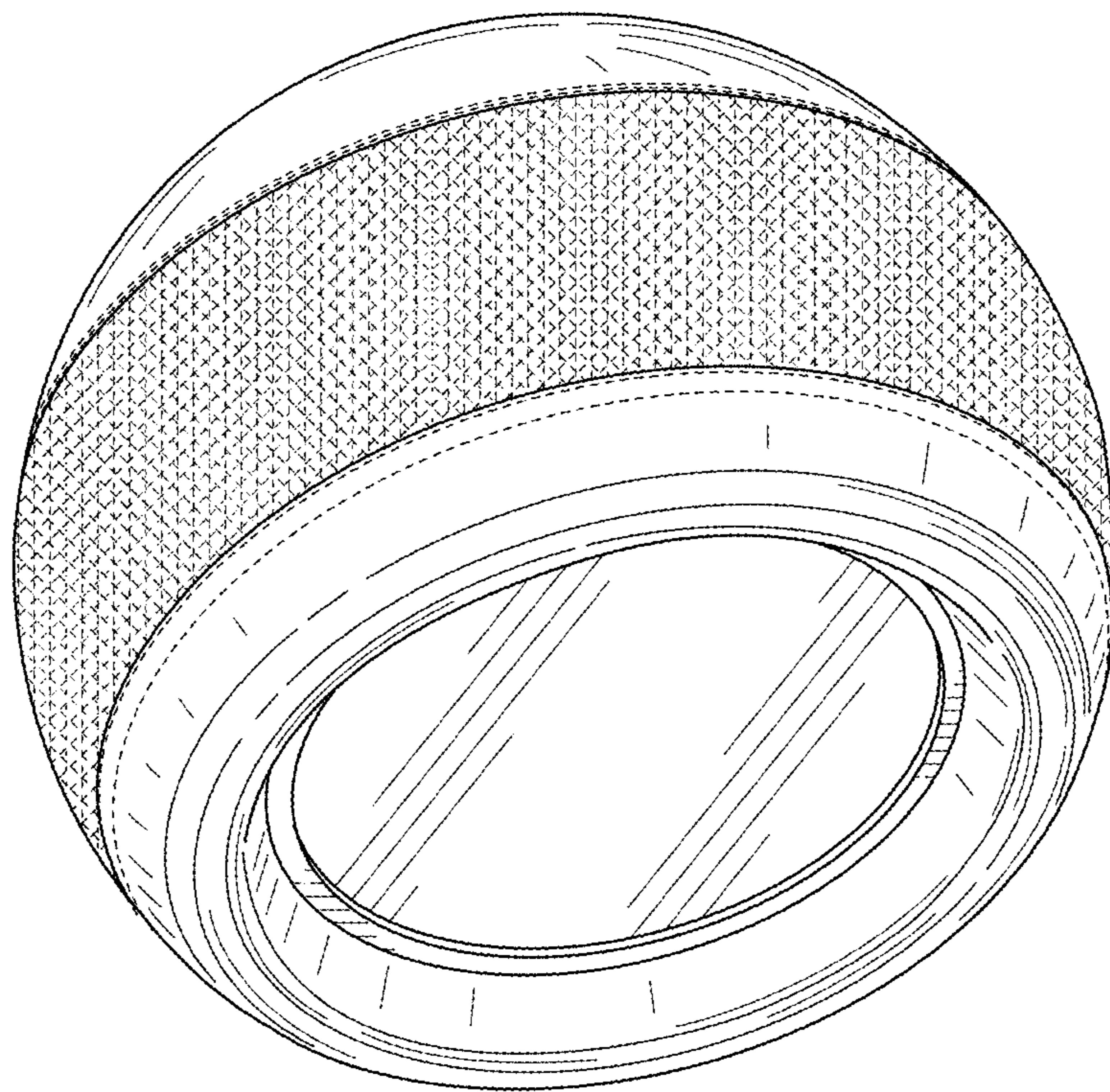


FIG. 2

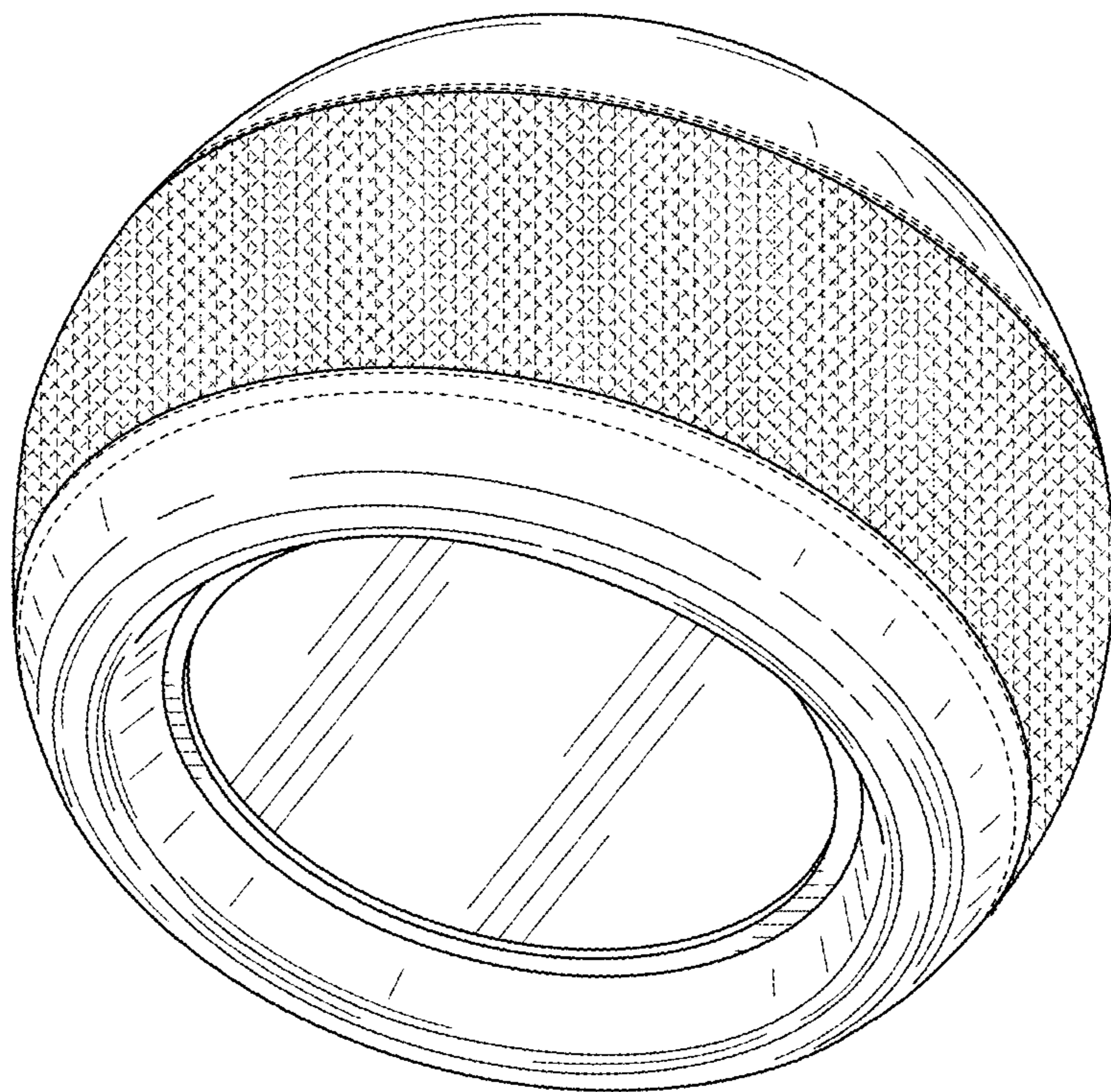


FIG. 3



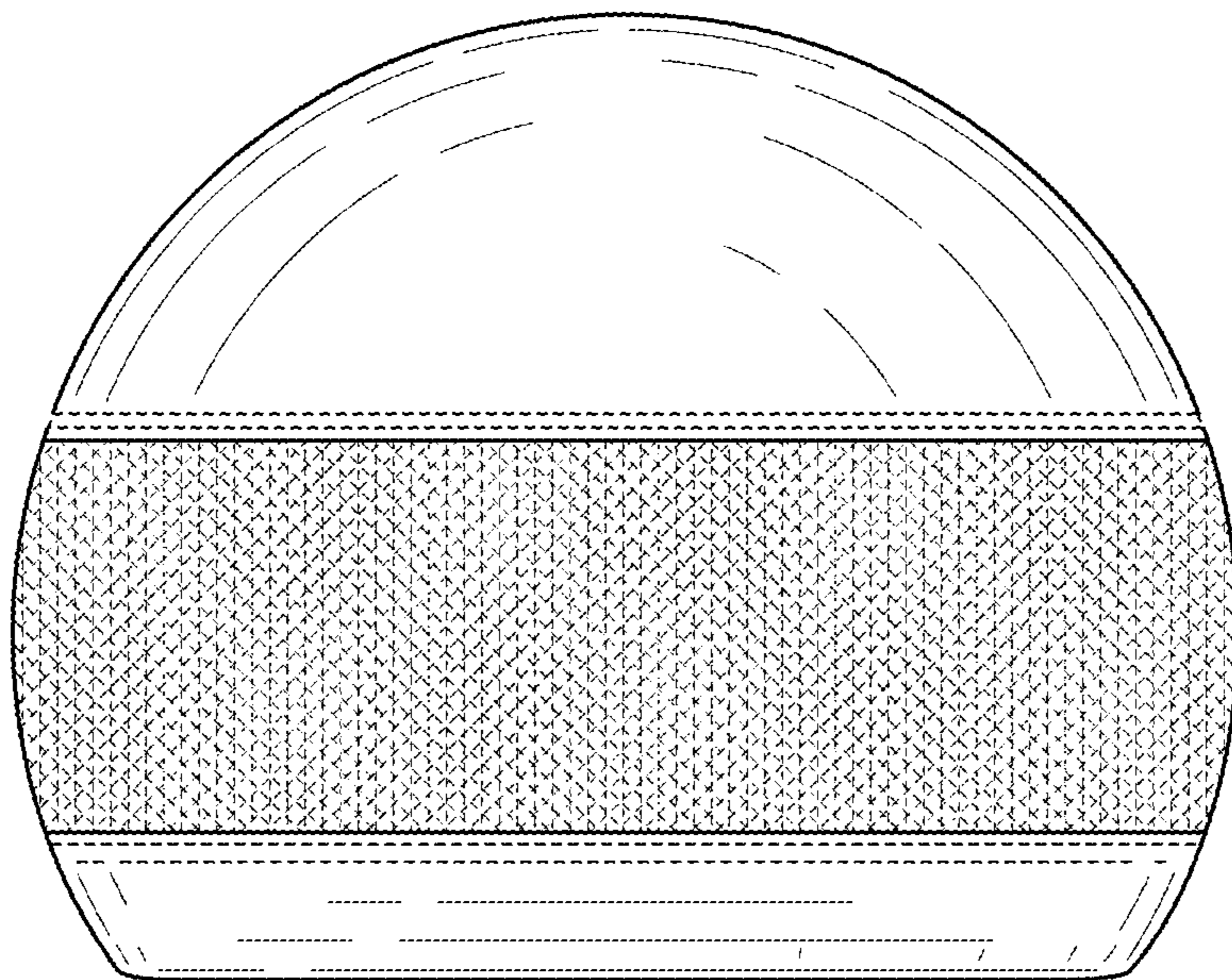


FIG. 4

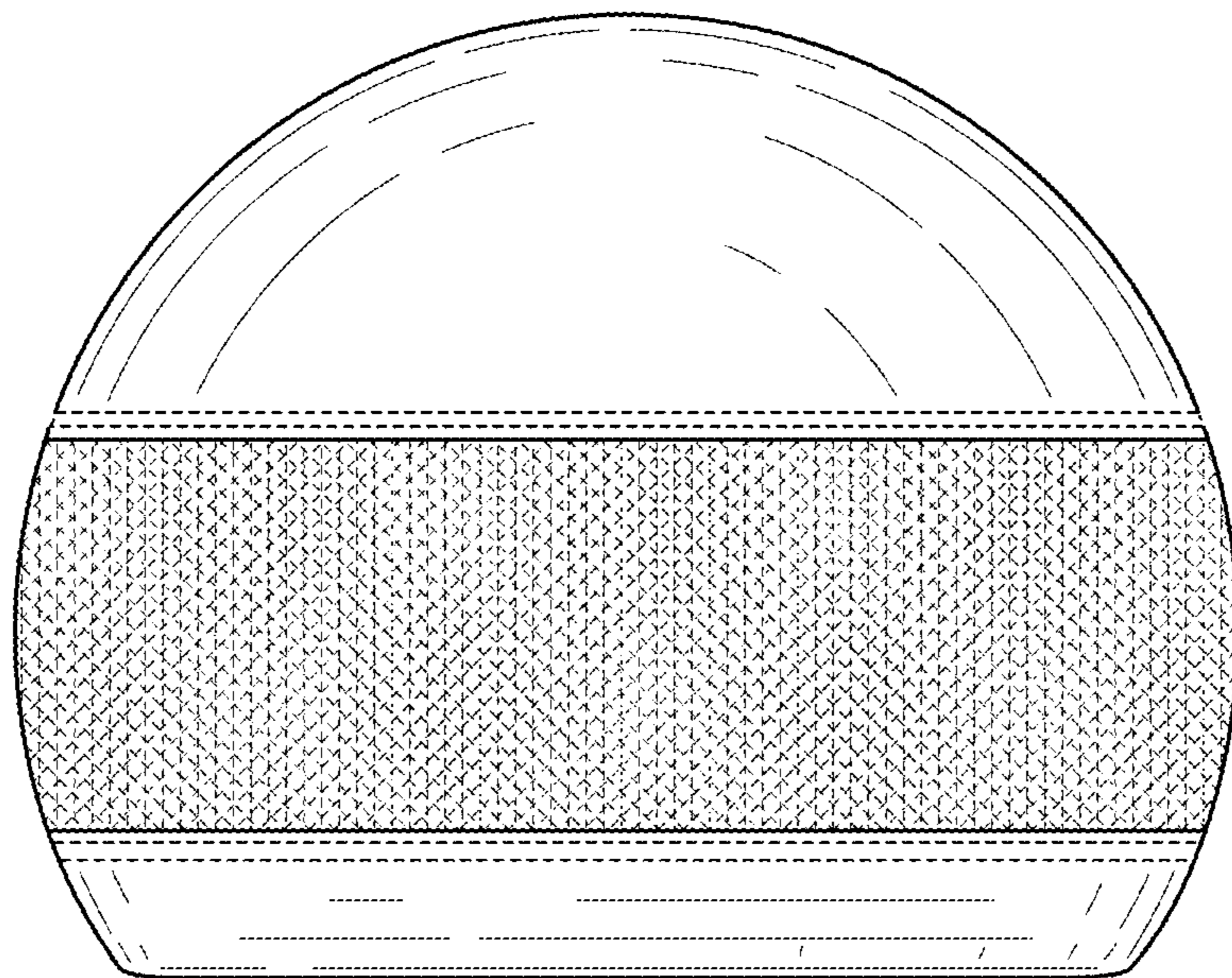


FIG. 5



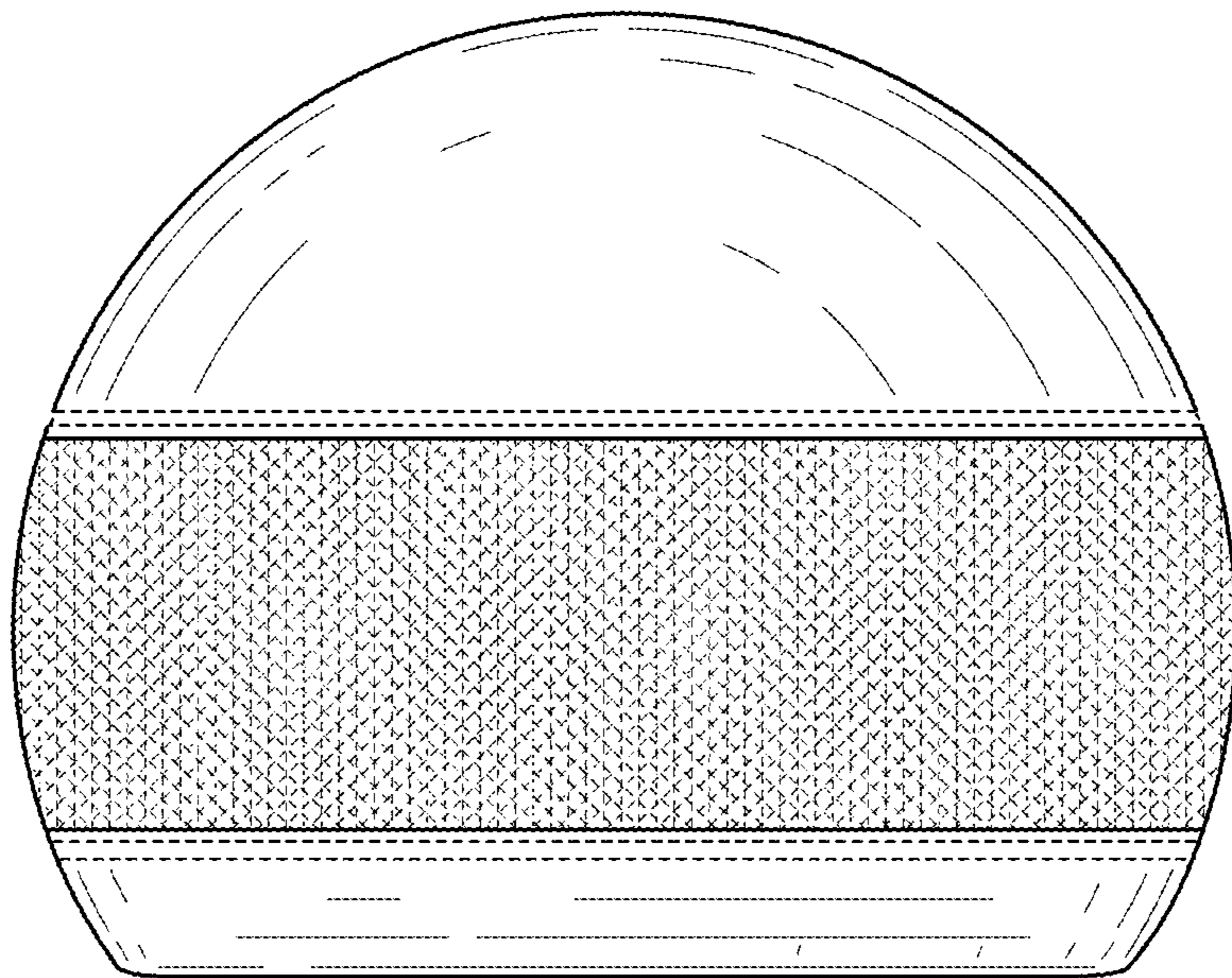


FIG. 6

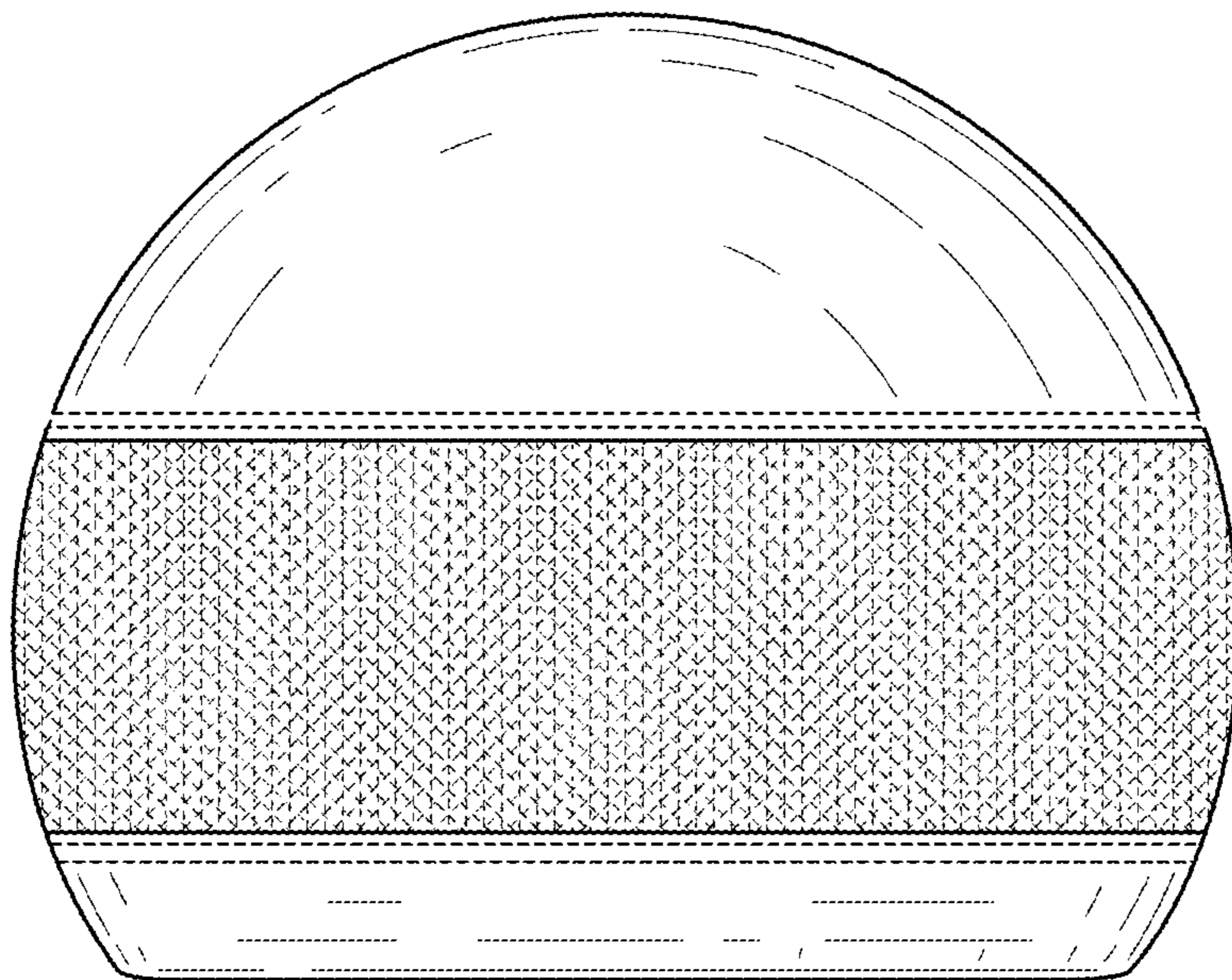


FIG. 7



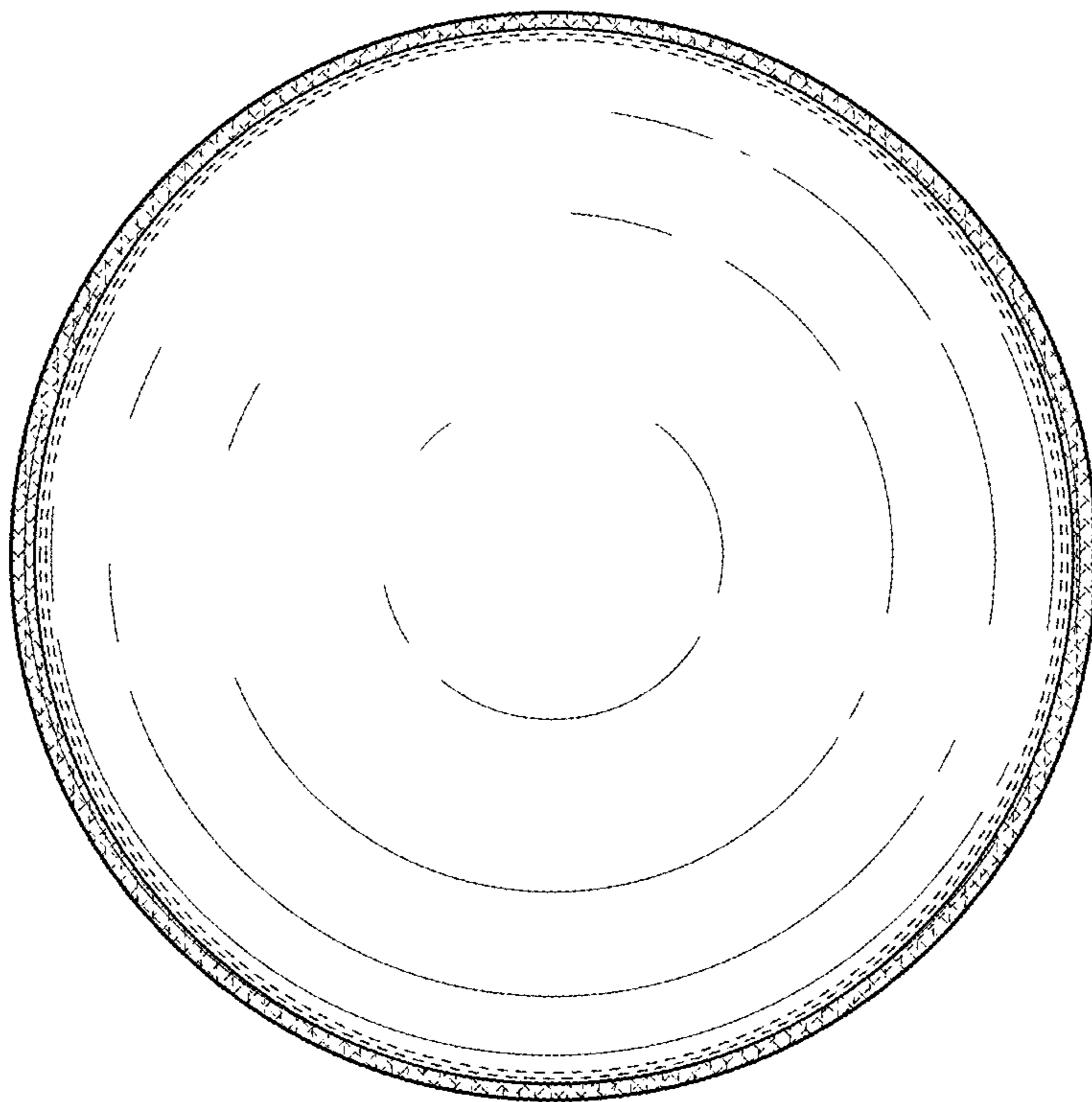


FIG. 8

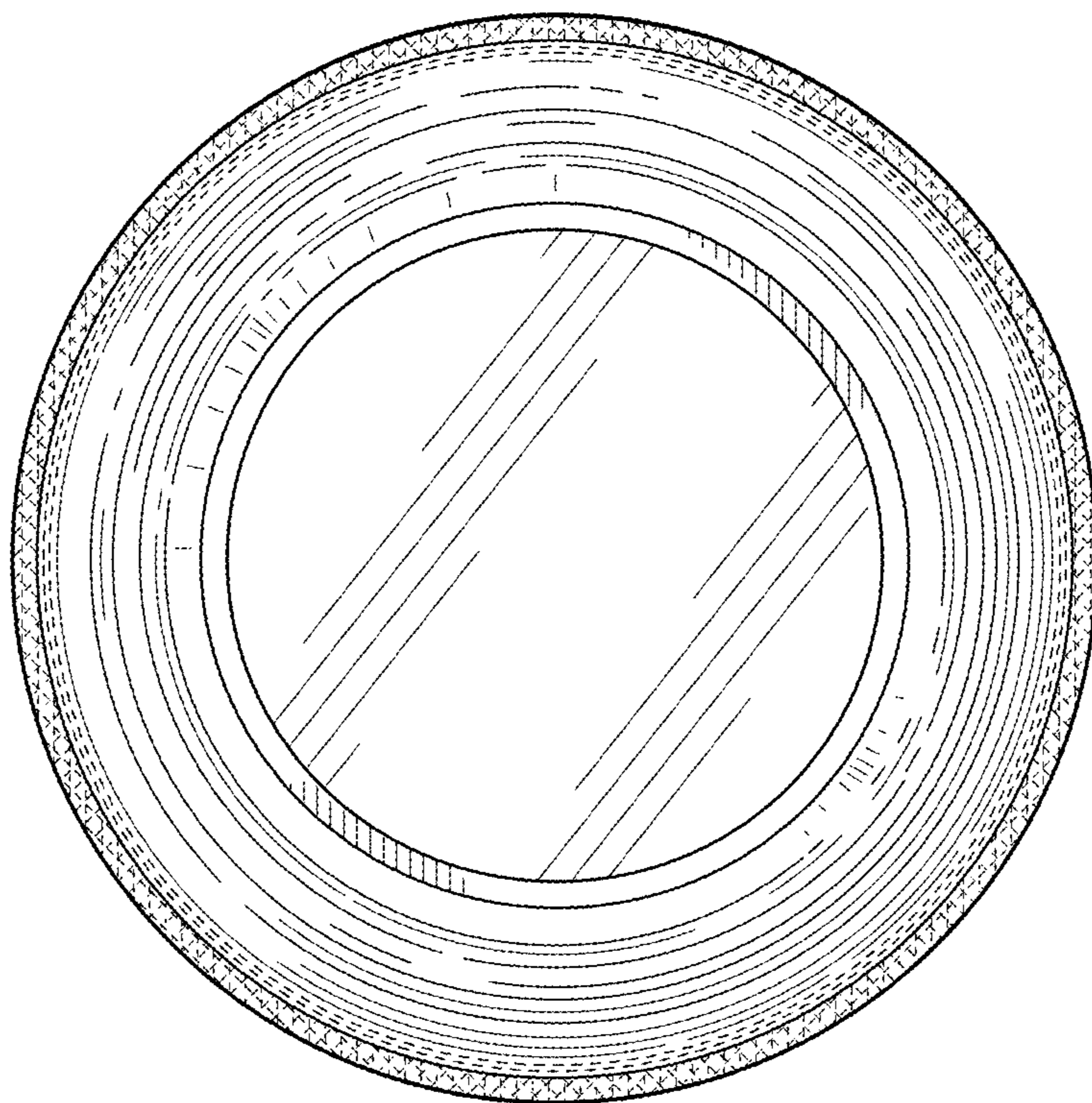


FIG. 9