



US00D881884S

(12) **United States Design Patent** (10) **Patent No.:** **US D881,884 S**
Goltche (45) **Date of Patent:** **** *Apr. 21, 2020**

(54) **CONTROL PAD**

(71) Applicant: **Yehuda Goltche**, Great Neck, NY (US)

(72) Inventor: **Yehuda Goltche**, Great Neck, NY (US)

(*) Notice: This patent is subject to a terminal disclaimer.

(**) Term: **15 Years**

(21) Appl. No.: **29/641,289**

(22) Filed: **Mar. 21, 2018**

(51) **LOC (12) Cl.** **14-02**

(52) **U.S. Cl.**

USPC **D14/401**; D21/328; D21/333

(58) **Field of Classification Search**

USPC D14/388, 390-401, 135, 137, 138 AA, D14/155, 160-164, 167-169, 172, 185, D14/188, 203.1-203.8, 217, 218, 247, D14/299, 341, 346, 356, 358, 383, 432, D14/439, 454-455, 474, 483, 496, 507; D21/324, 328, 329, 331, 333, 566; D13/162, 162.1, 168; D10/78, 103; D18/7

CPC A63F 13/00; A63F 13/02; A63F 13/06; A63F 13/08; A63F 13/12; A63F 13/23; A63F 13/24; A63F 13/26; A63F 13/98; A63F 9/24; G06F 3/0219

See application file for complete search history.

(56) **References Cited**

U.S. PATENT DOCUMENTS

D375,950 S * 11/1996 Jones D14/137
6,164,853 A * 12/2000 Foote G06F 15/0225
400/489
D568,883 S * 5/2008 Ashida D14/400
D591,018 S * 4/2009 Bogaerts D32/40
D616,851 S * 6/2010 Roka D14/138 AD

D639,260 S * 6/2011 Carroll D14/138 G
D660,295 S * 5/2012 Mak D14/345
D741,952 S * 10/2015 Nokuo D14/401
D753,725 S * 4/2016 Palmer, Jr. D14/203.1
D763,250 S * 8/2016 Jannard D14/341
D794,076 S * 8/2017 Goltche D14/496
D798,266 S * 9/2017 Goltche D14/188
D849,145 S * 5/2019 Kuoch D21/333
2006/0044288 A1 * 3/2006 Nakamura G06F 1/1626
345/179
2015/0031452 A1 * 1/2015 Rundell A63F 13/24
463/31
2015/0256655 A1 * 9/2015 Jannard H04M 1/0202
455/575.8
2016/0044148 A1 * 2/2016 Pizzo H04M 1/026
455/575.8

* cited by examiner

Primary Examiner — Angela J Lee

Assistant Examiner — Rebekah A Caruso

(74) *Attorney, Agent, or Firm* — Dunlap Bennett & Ludwig PLLC

(57) **CLAIM**

The ornamental design for a control pad, as shown and described.

DESCRIPTION

FIG. 1 is a front perspective view of a control pad, showing my new design;

FIG. 2 is a front elevation view thereof;

FIG. 3 is a rear elevation view thereof;

FIG. 4 is a left side elevation view thereof;

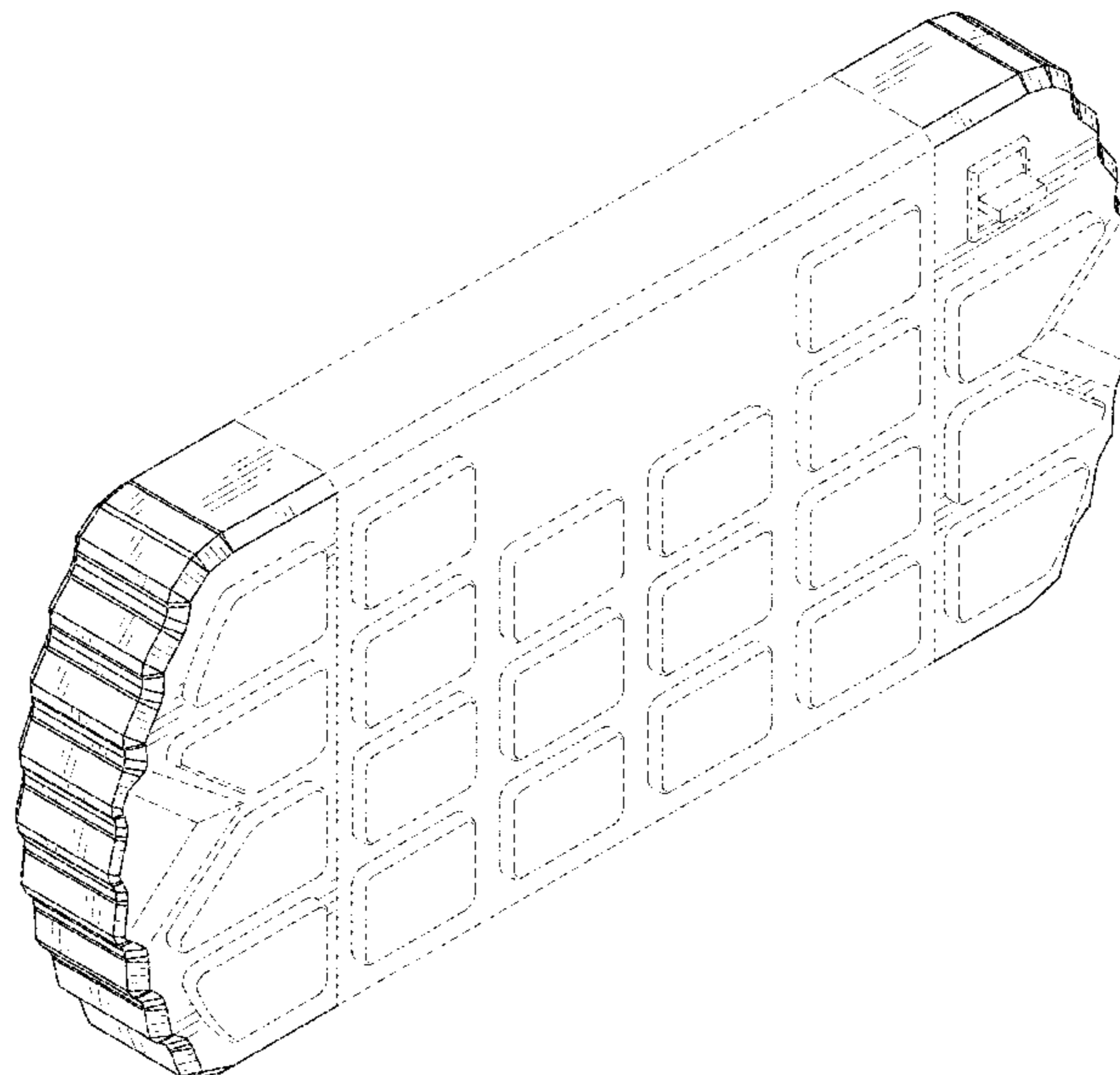
FIG. 5 is a right side elevation view thereof;

FIG. 6 is a top plan view thereof; and,

FIG. 7 is a bottom plan view thereof.

The dashed-dot-dashed broken lines represent the bounds of the claimed design, while the evenly spaced dashed broken lines shown in the drawings depict portions of the control pad that form no part of the claimed design.

1 Claim, 5 Drawing Sheets



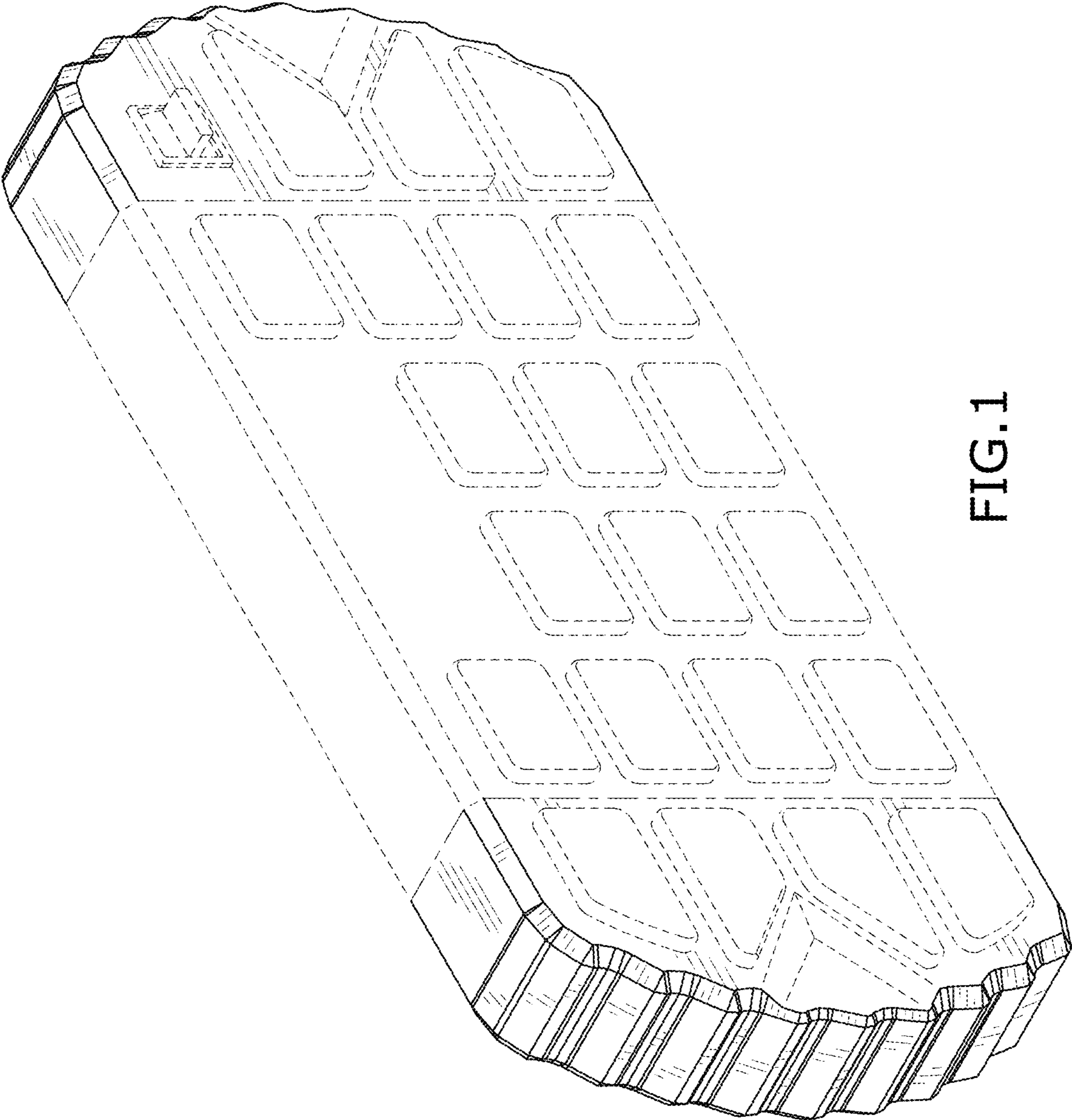


FIG. 1

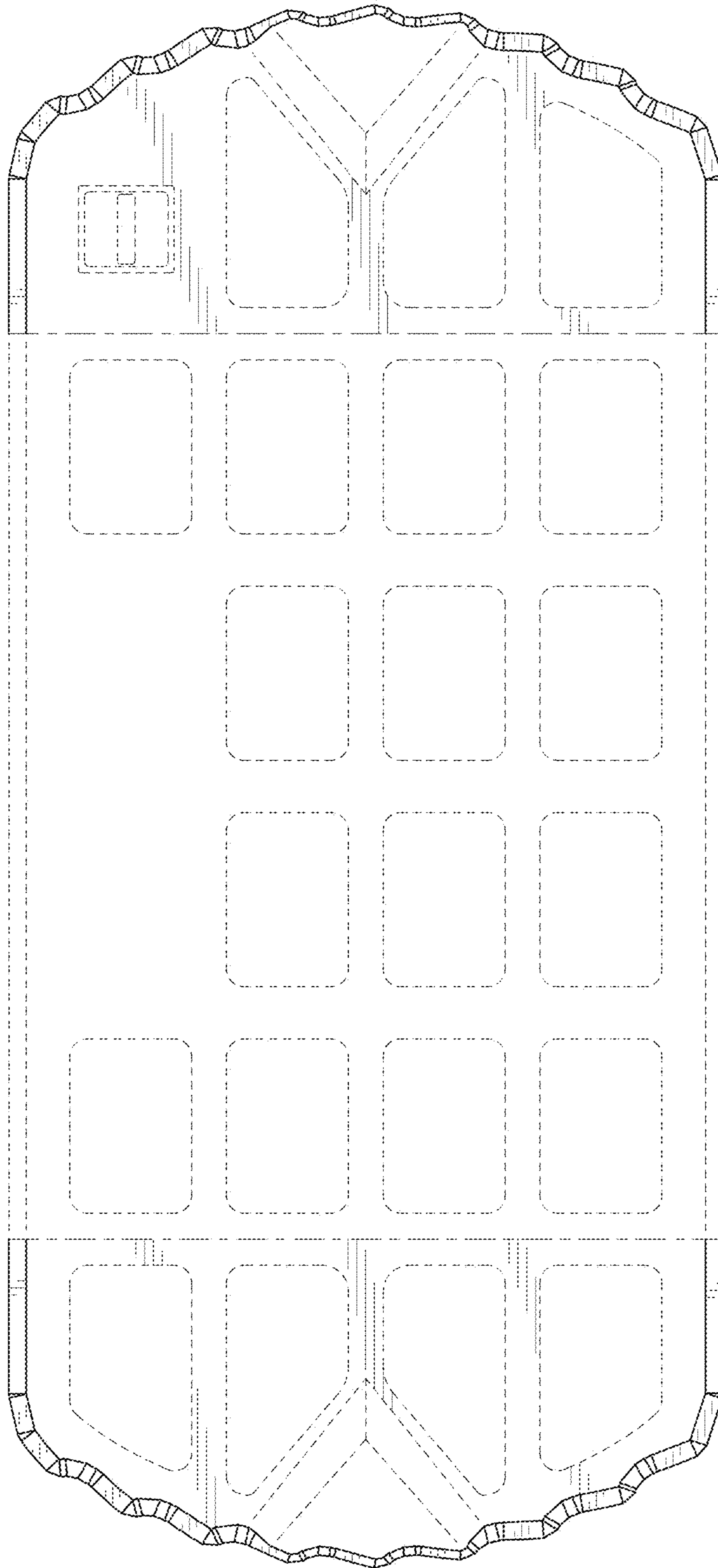


FIG.2



FIG. 3

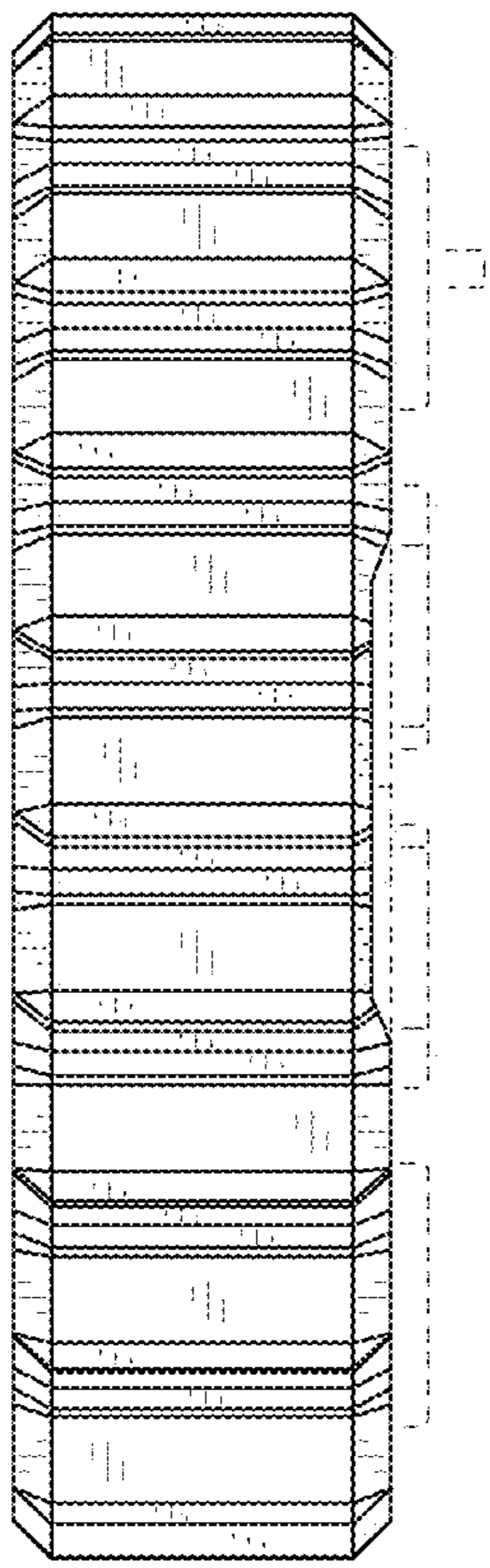


FIG. 4

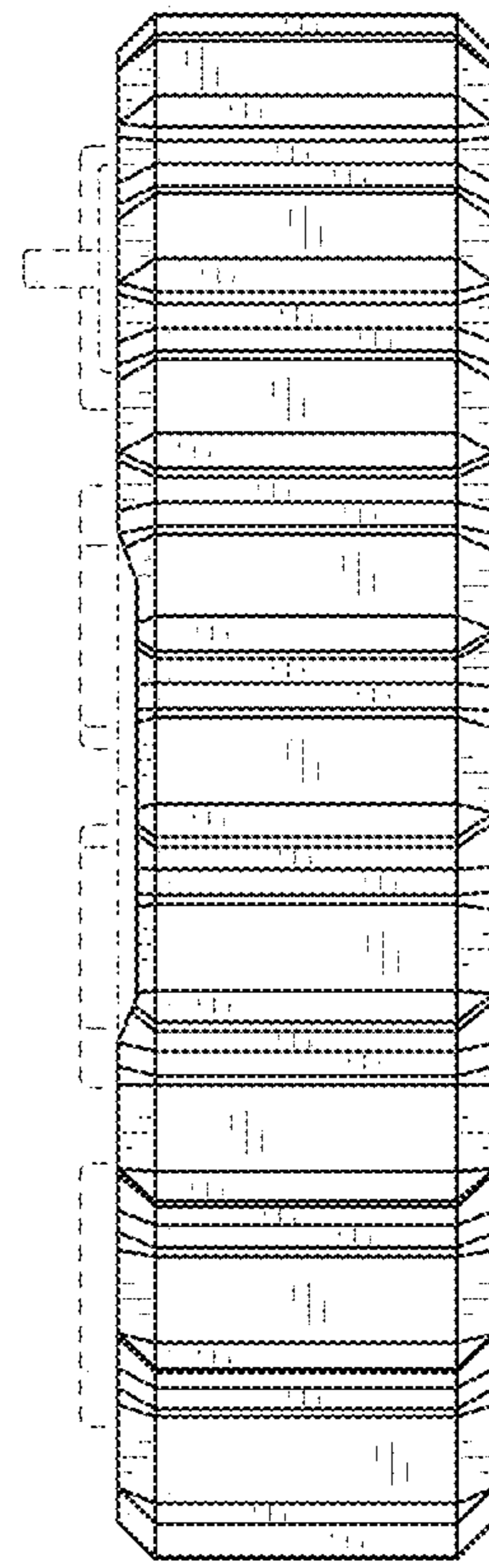


FIG. 5

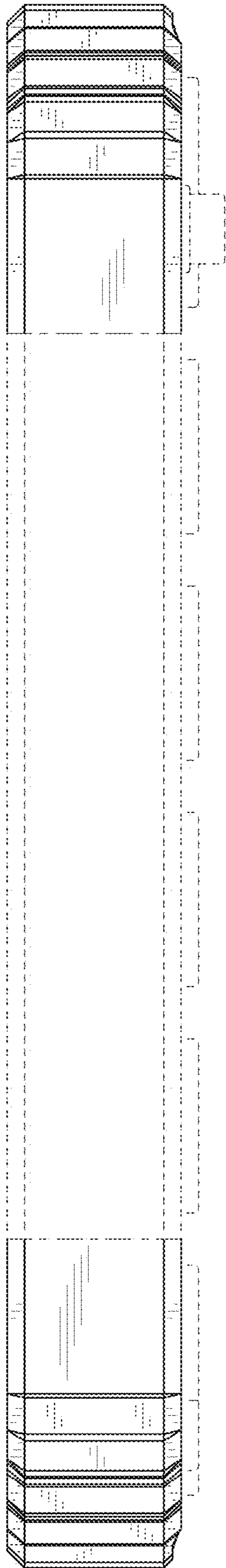


FIG. 6

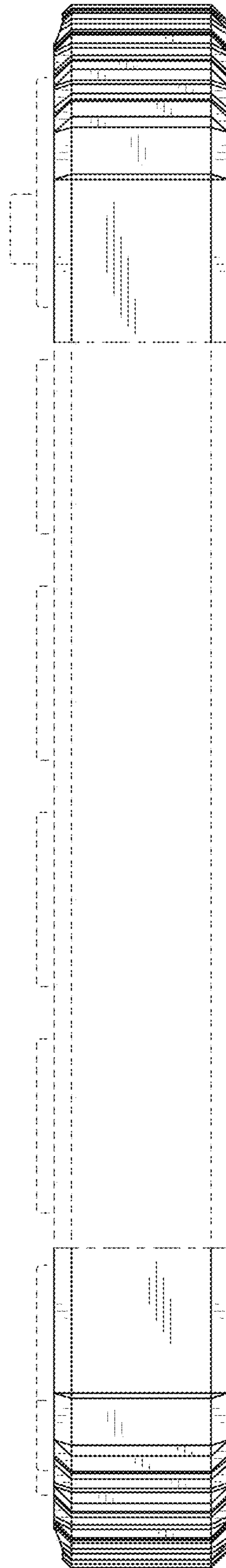


FIG. 7