



US00D881882S

(12) **United States Design Patent**  
**Shirai et al.**

(10) **Patent No.:** **US D881,882 S**  
(45) **Date of Patent:** **\*\* Apr. 21, 2020**

(54) **AERIAL IMAGING APPARATUS**

FOREIGN PATENT DOCUMENTS

(71) Applicant: **Sakai Display Products Corporation**,  
Sakai-shi, Osaka (JP)

CN 303841265 \* 9/2016  
CN 305087029 \* 3/2019  
CN 305285989 \* 8/2019

(72) Inventors: **Hideyuki Shirai**, Sakai (JP);  
**Yoshimasa Saito**, Sakai (JP)

*Primary Examiner* — Marissa J Cash  
*Assistant Examiner* — Altaira J Swangin

(73) Assignee: **SAKAI DISPLAY PRODUCTS CORPORATION**, Osaka (JP)

(74) *Attorney, Agent, or Firm* — Keating & Bennett, LLP

(\*\*) Term: **15 Years**

(57) **CLAIM**

The ornamental design for an aerial imaging apparatus, as shown and described.

(21) Appl. No.: **29/655,549**

**DESCRIPTION**

(22) Filed: **Jul. 5, 2018**

FIG. 1 is a top front left perspective view of an aerial imaging apparatus showing our new design;

(30) **Foreign Application Priority Data**

Jan. 18, 2018 (JP) ..... 2018-000827

FIG. 2 is a front view thereof, opposite rear view being mirror image thereof;

(51) **LOC (12) Cl.** ..... **14-02**

FIG. 3 is a right side view thereof;

(52) **U.S. Cl.**

FIG. 4 is a left side view thereof;

USPC ..... **D14/374**

FIG. 5 is a top view thereof;

(58) **Field of Classification Search**

USPC ..... D14/138 AB, 203.4, 315, 345, 348,

FIG. 6 is a bottom view thereof;

D14/356-359, 363, 371, 374-375,

FIG. 7 is another top front left perspective view of the aerial imaging apparatus of FIGS. 1-6, showing the design in an alternative configuration with the optical plate in an opened position;

D14/434-436, 440-442, 444, 478, 501;

FIG. 8 is a rear right perspective view of the aerial imaging apparatus of FIGS. 1-6, showing the design in an alternative configuration with the optical plate in an opened position;

D9/430-433; 361/679.27-679.31;

FIG. 9 is a front view thereof, with the opposite rear view being a mirror image;

D24/158-160; D12/192; D16/229

FIG. 10 is a right side view thereof with the optical plate being opened;

CPC ..... H05K 5/00; H05K 5/03; G02F

FIG. 11 is a left side view thereof with the optical plate being opened; and,

2001/133607; G02B 27/0179; G02B

FIG. 12 is a top view thereof with the optical plate being opened.

27/0101; G02B 27/0149; G02B 2027/014;

(Continued)

(56) **References Cited**

U.S. PATENT DOCUMENTS

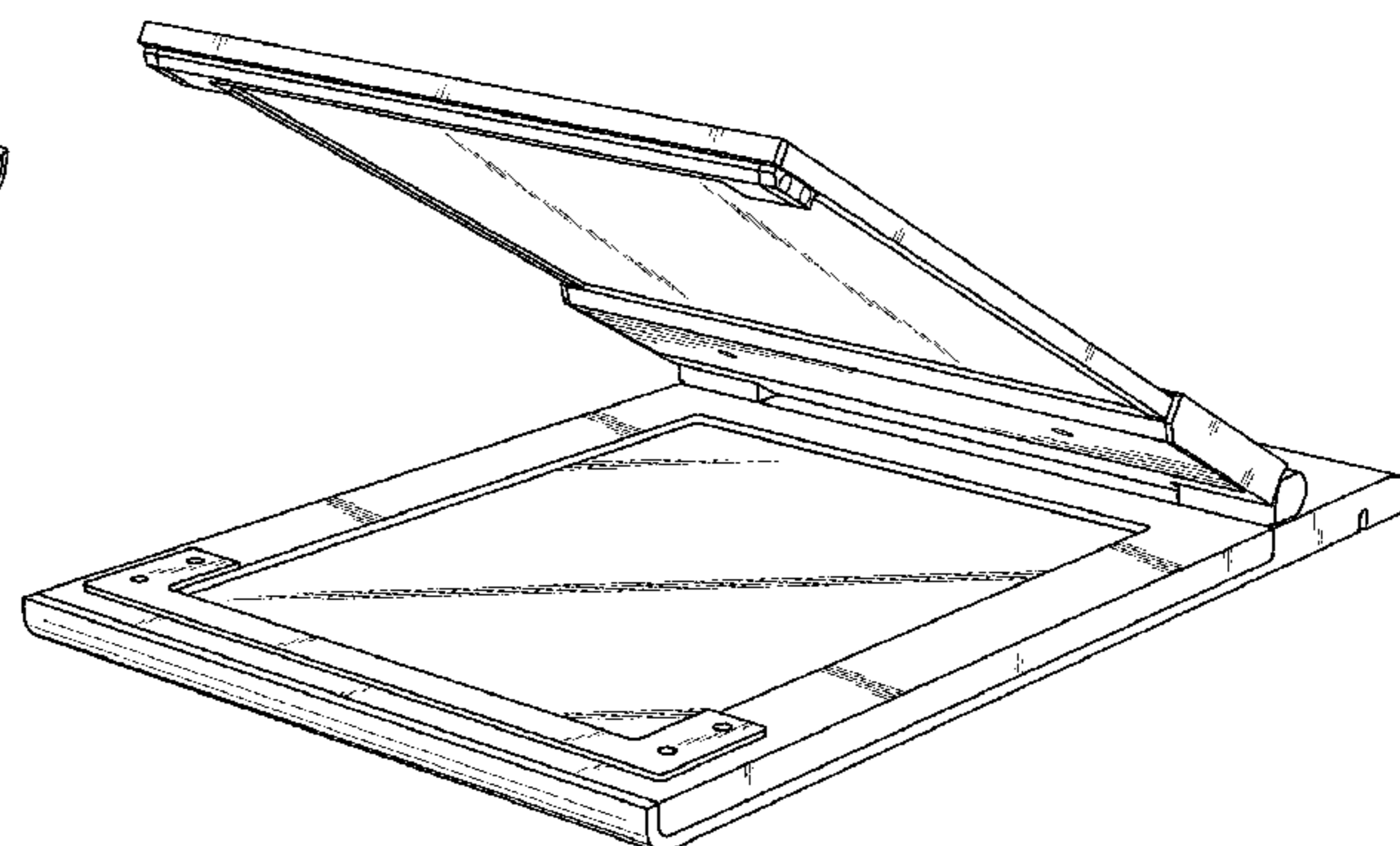
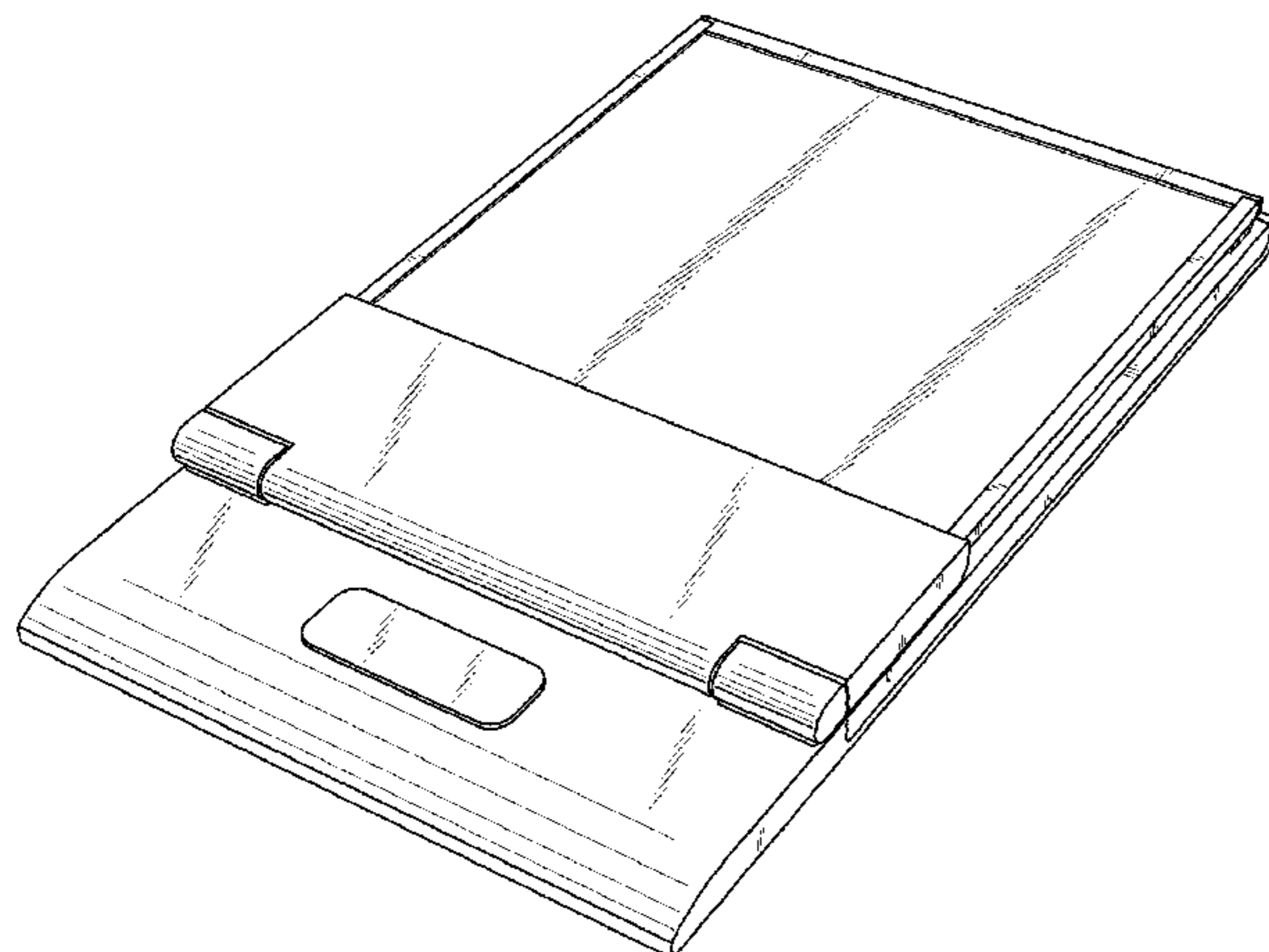
1,142,143 A \* 6/1915 Cauger ..... G03B 21/64

40/705

D318,478 S \* 7/1991 Wah Lo ..... D16/229

(Continued)

**1 Claim, 11 Drawing Sheets**



# US D881,882 S

Page 2

(58) **Field of Classification Search**

CPC ..... G02B 2027/0154; B60C 23/0408; B60C  
23/0491

See application file for complete search history.

(56) **References Cited**

U.S. PATENT DOCUMENTS

D321,360 S \* 11/1991 Cheng ..... D16/229  
D326,448 S \* 5/1992 Fukuda ..... D14/425  
D329,448 S \* 9/1992 Lo ..... D16/229  
D377,497 S \* 1/1997 Ninomiya ..... D14/375  
D406,582 S \* 3/1999 Rosen ..... D14/132  
D483,037 S \* 12/2003 Whitehorn ..... D14/375  
D489,067 S \* 4/2004 Olson ..... D14/375  
D505,948 S \* 6/2005 Vrachan ..... D14/307  
D512,717 S \* 12/2005 Taniho ..... D14/425  
D544,852 S \* 6/2007 Takamori ..... D14/138 AA  
D562,320 S \* 2/2008 Kim ..... D14/375

D579,983 S \* 11/2008 Milne ..... D20/39  
D585,065 S \* 1/2009 Kuroda ..... D14/425  
D622,242 S \* 8/2010 Kim ..... D14/138 AB  
7,948,744 B2 \* 5/2011 Bishop ..... G06F 1/1601  
345/209  
D697,508 S \* 1/2014 Hsu ..... D14/345  
8,676,269 B2 \* 3/2014 Song ..... H04M 1/022  
345/1.1  
D712,867 S \* 9/2014 Vats ..... D14/138 AB  
8,873,225 B2 \* 10/2014 Huitema ..... G06F 1/1615  
345/168  
D859,400 S \* 9/2019 Konishi ..... D14/345  
D868,072 S \* 11/2019 Lei ..... D14/440  
D872,077 S \* 1/2020 Raken ..... D14/341  
2004/0228082 A1 \* 11/2004 Tiao ..... H04N 1/00519  
361/679.27  
2011/0205372 A1 \* 8/2011 Miramontes ..... G06F 1/1616  
348/207.1

\* cited by examiner

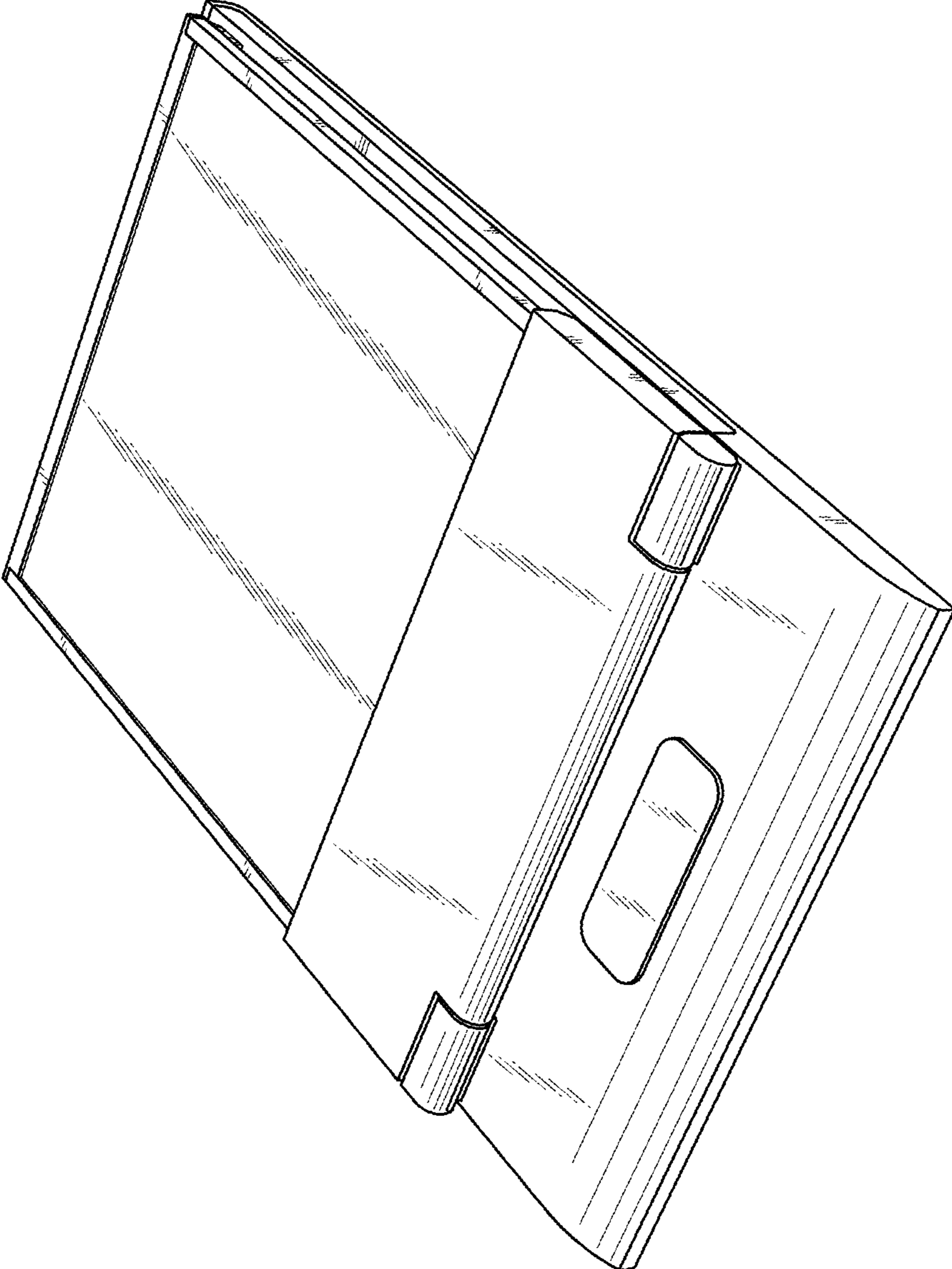


Fig. 1

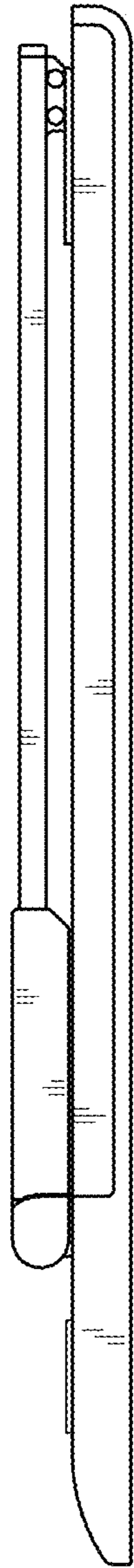


Fig. 2

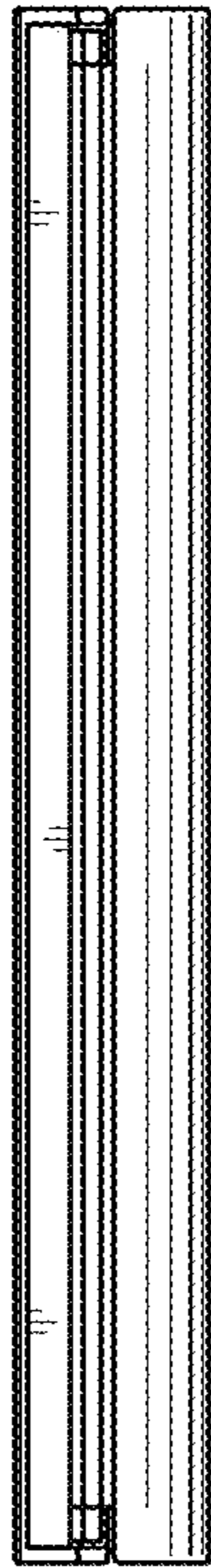


Fig. 3

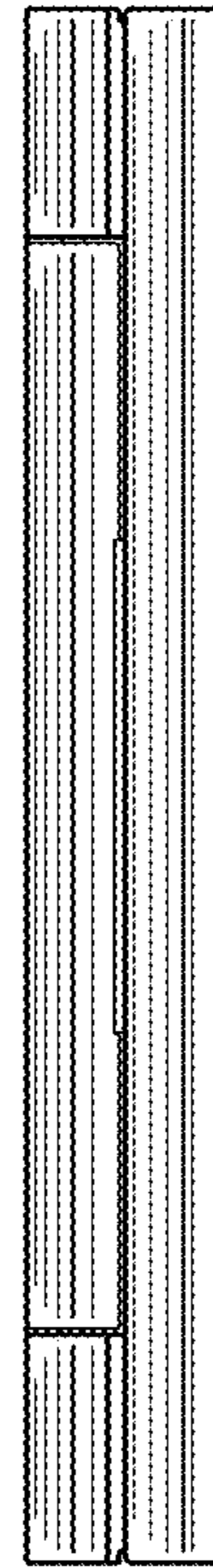


Fig. 4

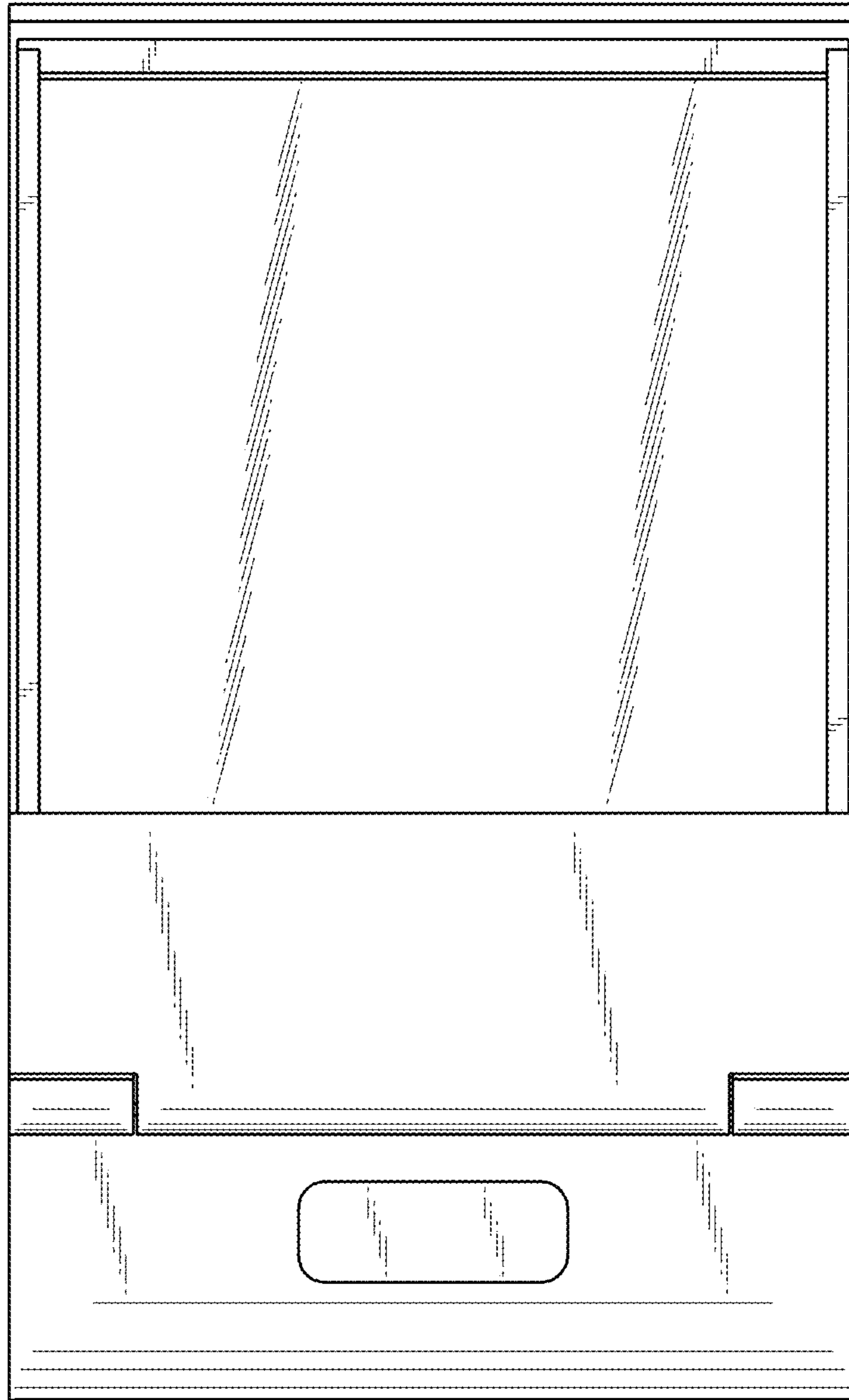


Fig. 5

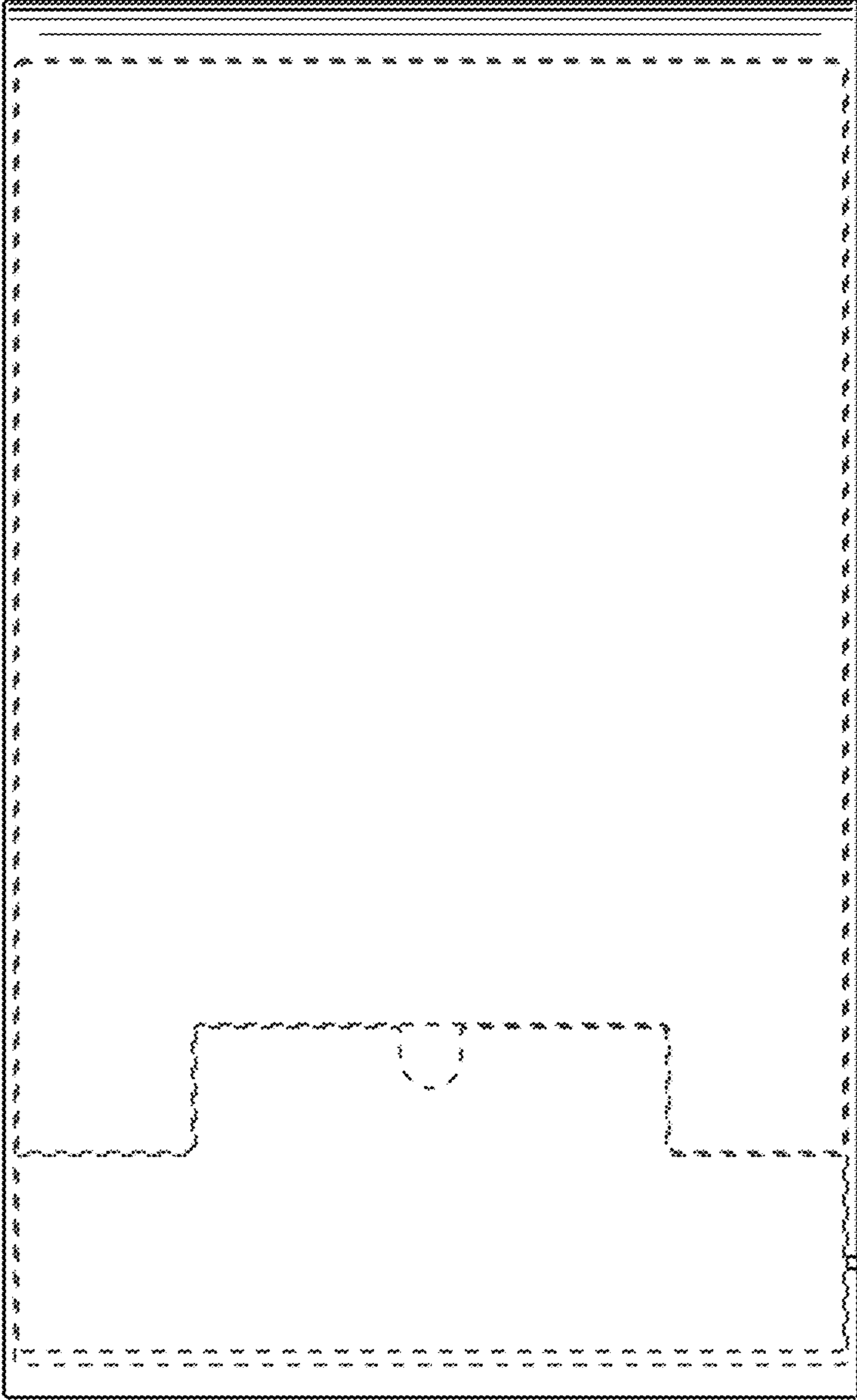


Fig. 6

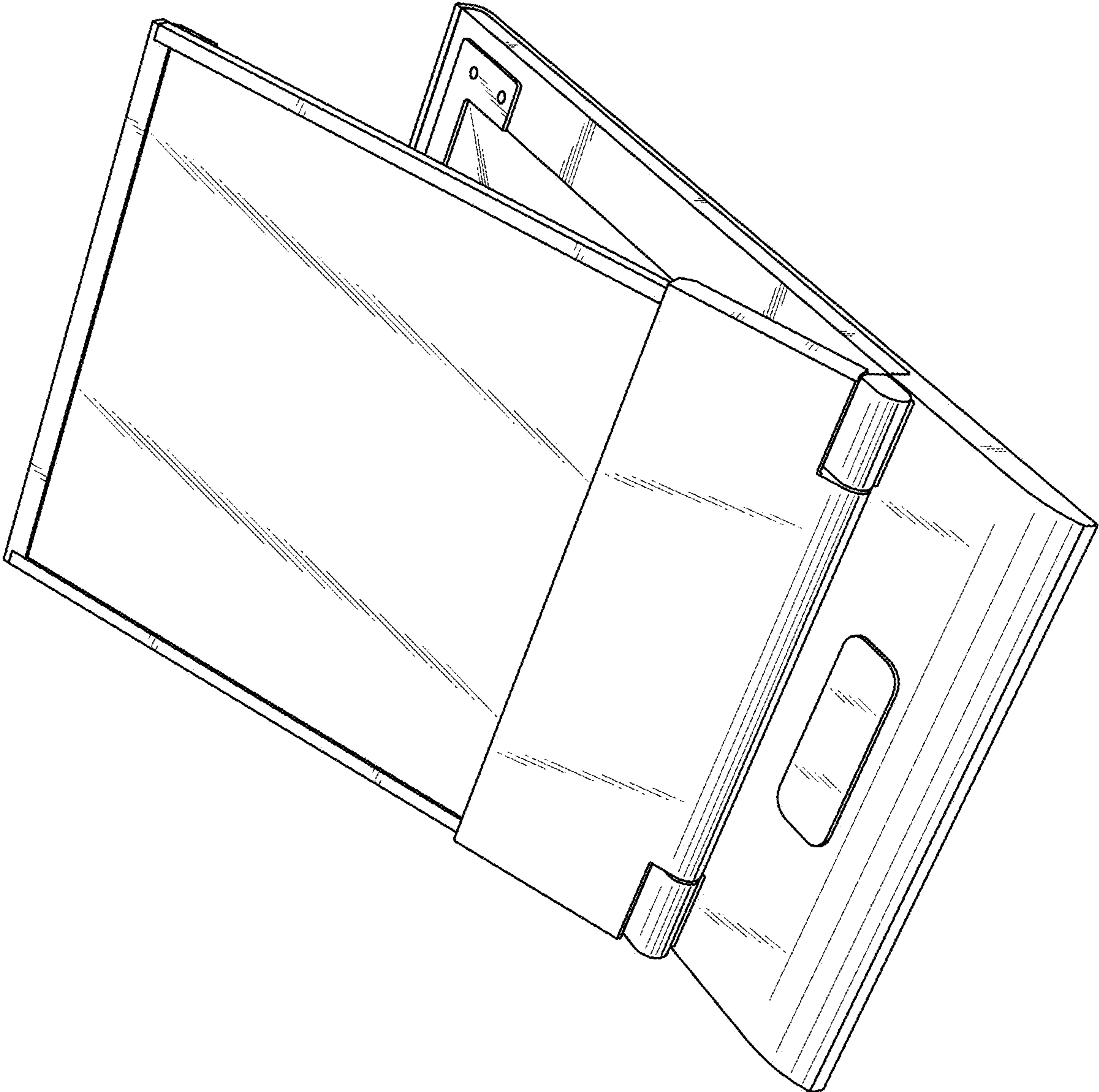


Fig. 7



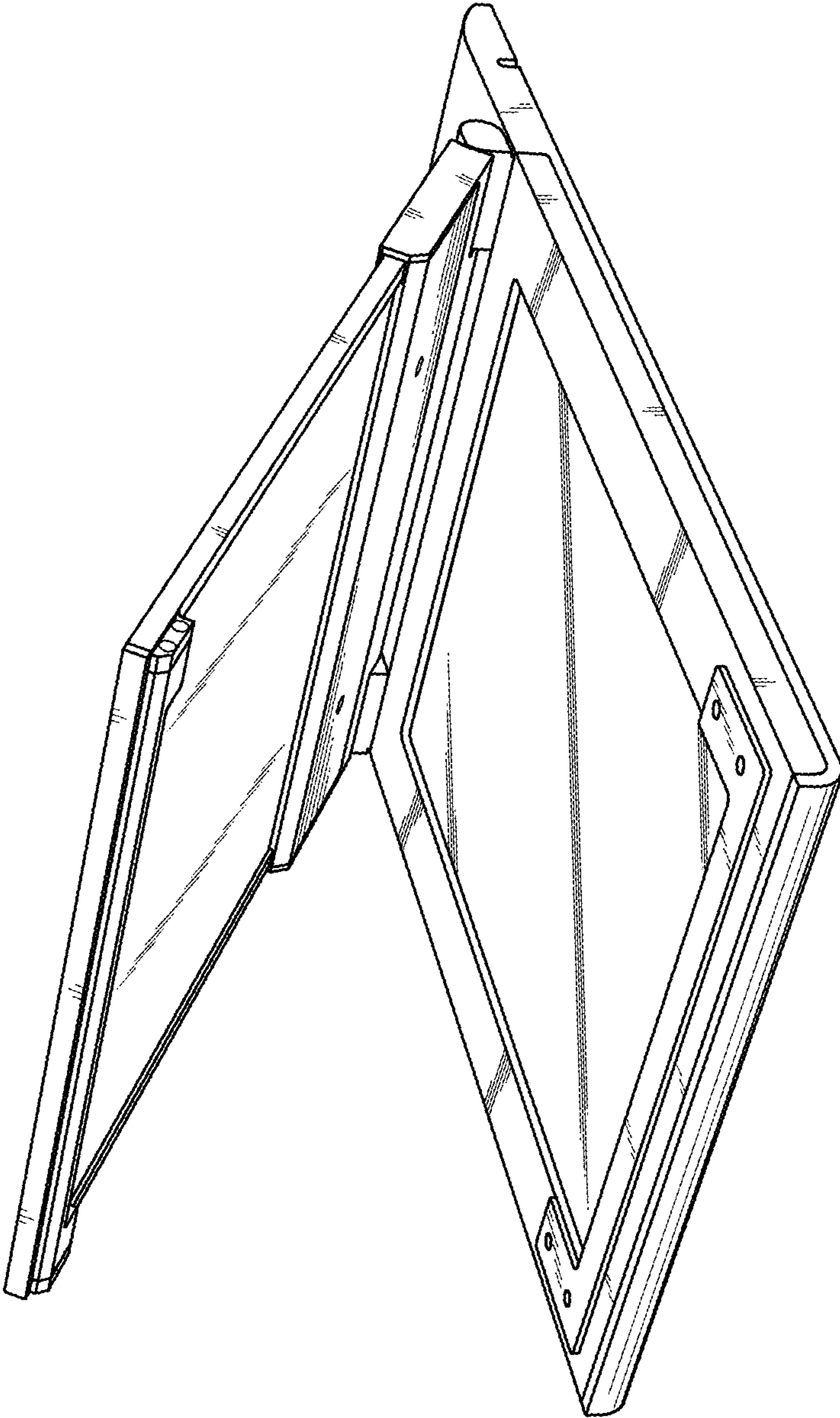


Fig. 8

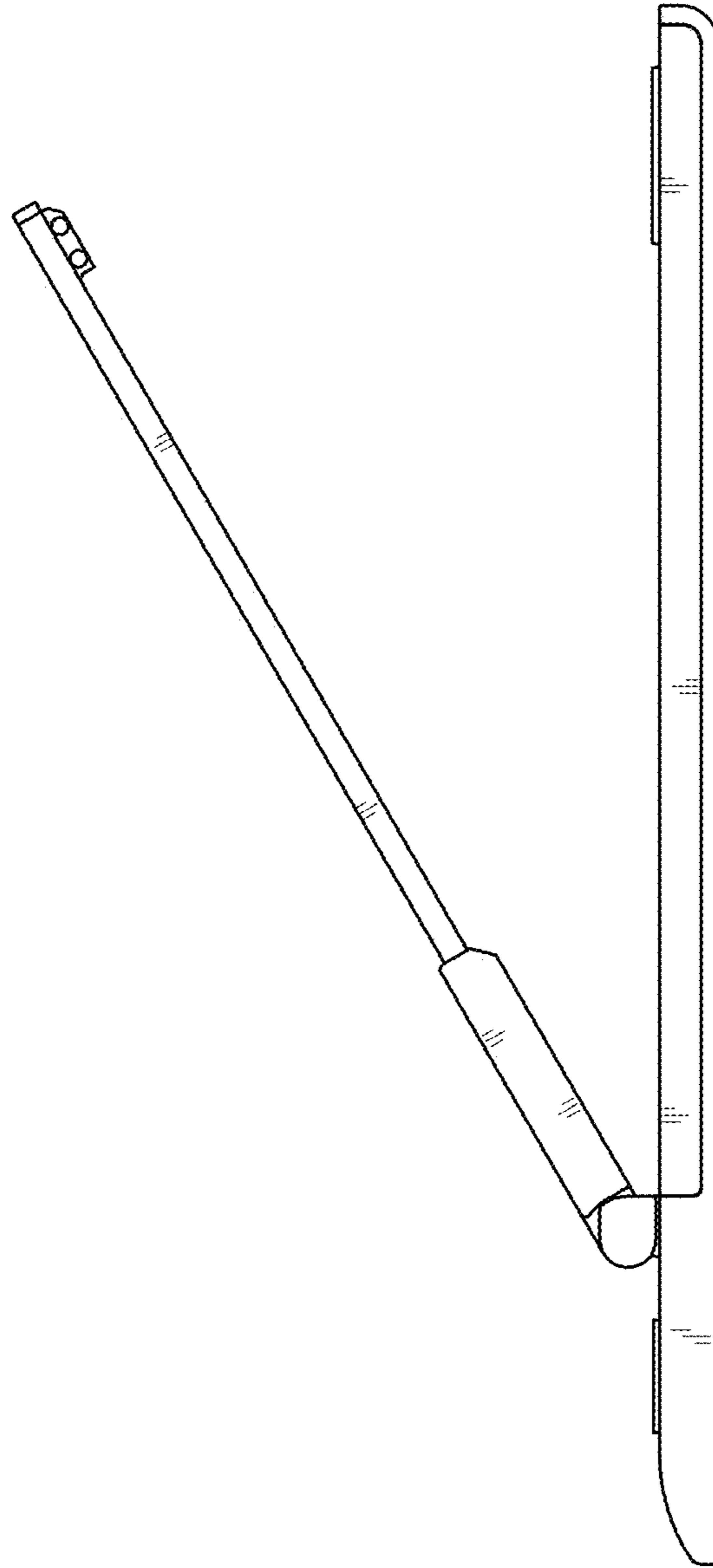


Fig. 9

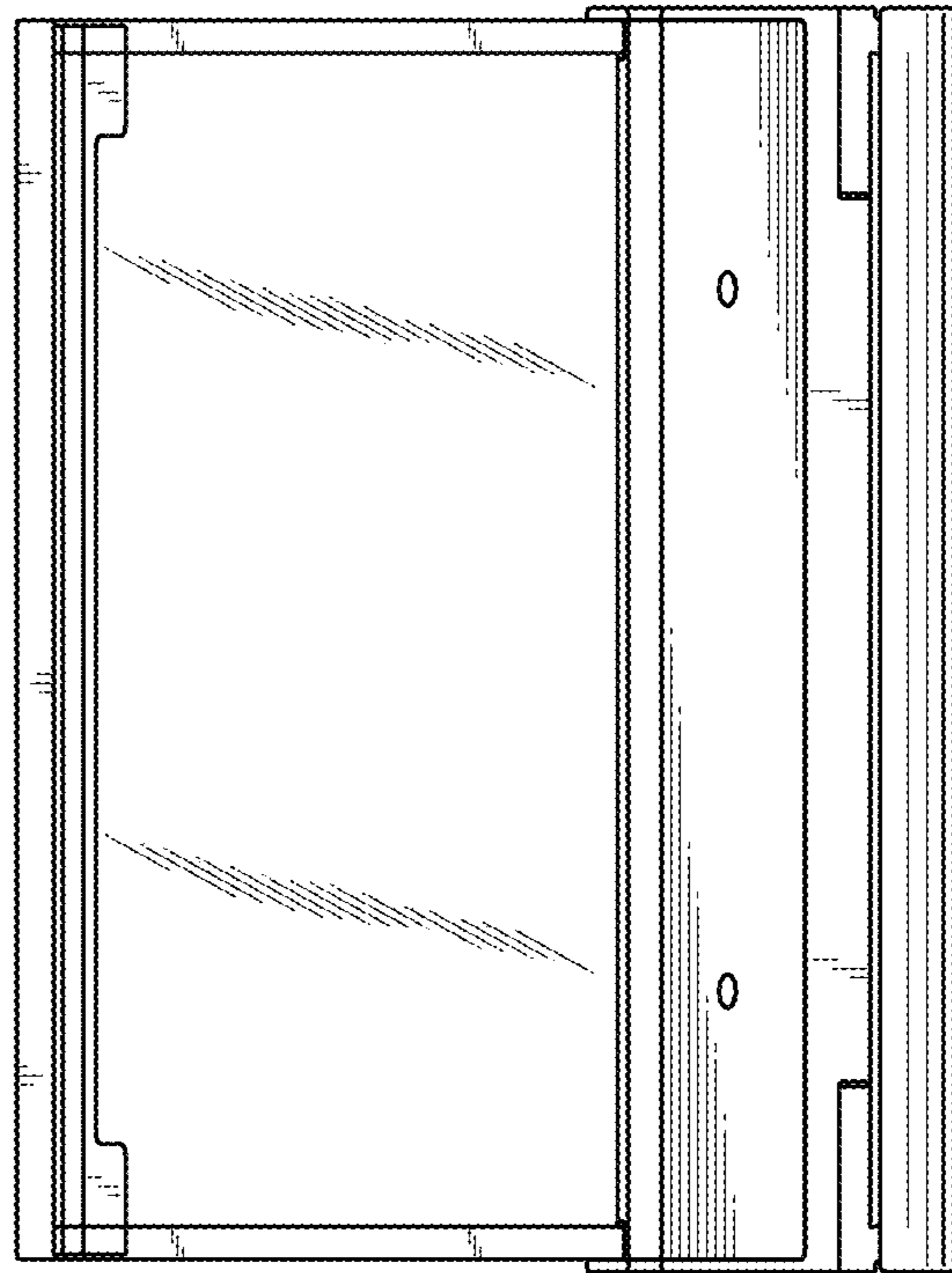


Fig. 10

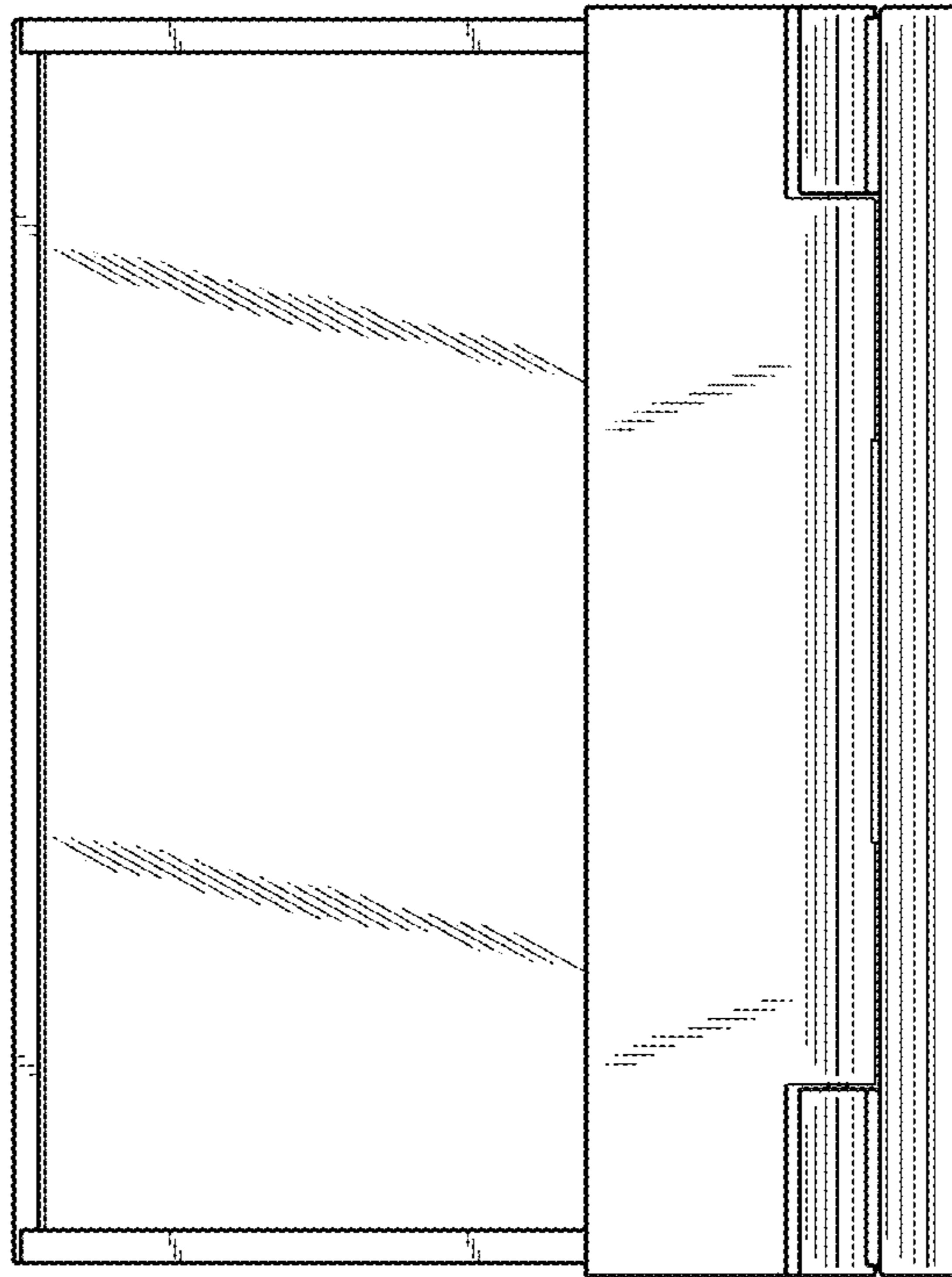


Fig. 11

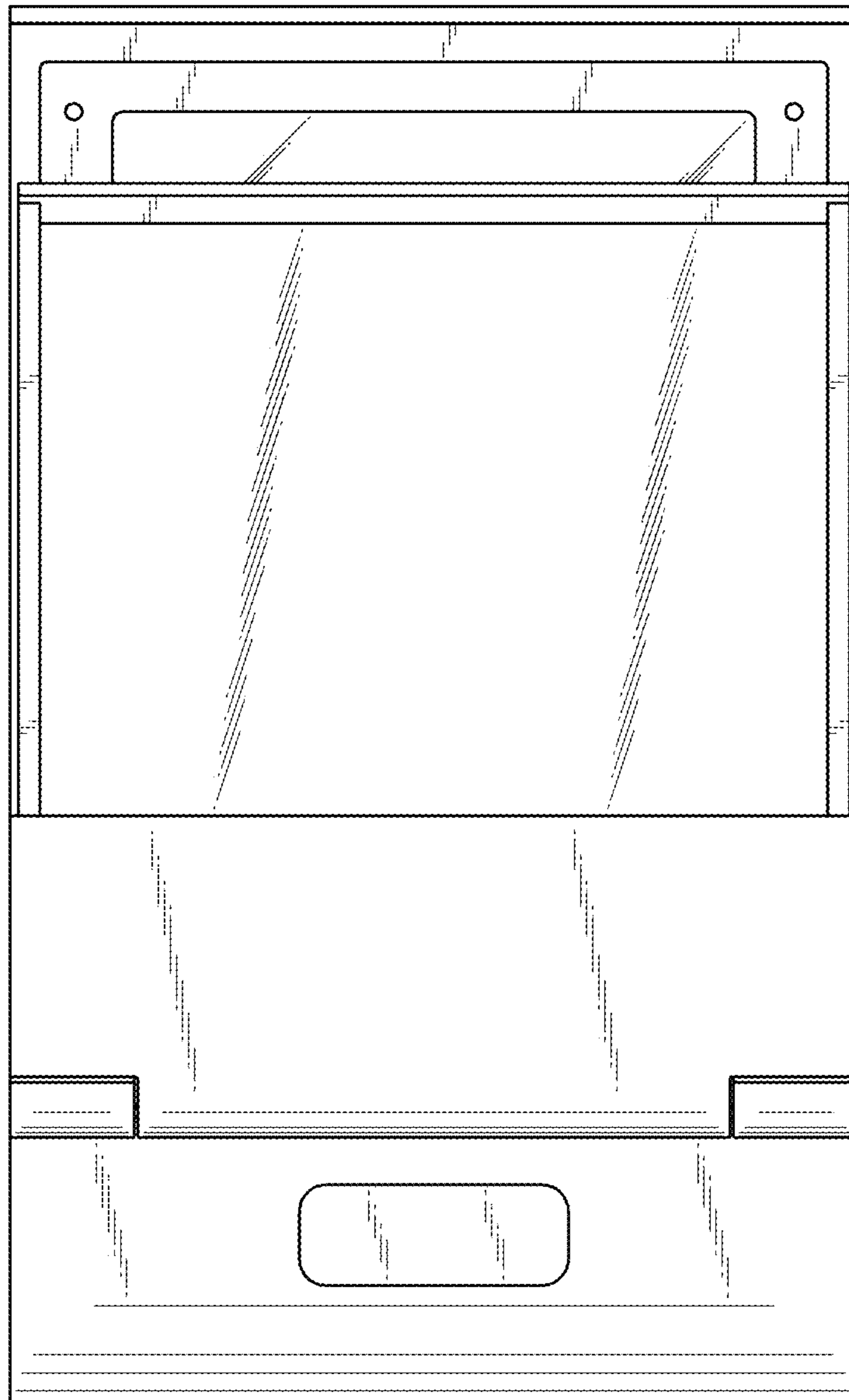


Fig. 12