



US00D881881S

(12) **United States Design Patent** (10) **Patent No.:** **US D881,881 S**
Reed et al. (45) **Date of Patent:** **** Apr. 21, 2020**

- (54) **AUGMENTED REALITY LENS**
- (71) Applicant: **Mira Labs, Inc.**, Los Angeles, CA (US)
- (72) Inventors: **Montana Reed**, Los Angeles, CA (US);
Norio Fujikawa, San Francisco, CA (US); **Oliver Henderson**, San Francisco, CA (US); **Sean Missal**, San Francisco, CA (US)
- (73) Assignee: **Mira Labs, Inc.**, Hermosa Beach, CA (US)
- (**) Term: **15 Years**
- (21) Appl. No.: **29/705,032**
- (22) Filed: **Sep. 9, 2019**

- D798,862 S * 10/2017 Wang D14/372
- D820,259 S * 6/2018 Lee D14/372
- D840,398 S * 2/2019 Li D14/372
- D859,403 S * 9/2019 Reed D14/372
- D861,680 S * 10/2019 Chou D14/372
- D862,468 S * 10/2019 Chen D14/372

* cited by examiner

Primary Examiner — Austin Murphy
(74) *Attorney, Agent, or Firm* — Buchalter; Kari L. Barnes

(57) **CLAIM**

We claim the ornamental design for an augmented reality lens, as shown and described.

DESCRIPTION

FIG. 1 is a top perspective view of an augmented reality lens showing our new design in a use configuration;
 FIG. 2 is a bottom perspective view of the augmented reality lens in a use configuration illustrated in FIG. 1;
 FIG. 3 is a front perspective view of the augmented reality lens in a use configuration illustrated in FIG. 1;
 FIG. 4 is a right side elevation view of the augmented reality lens in a use configuration illustrated in FIG. 1;
 FIG. 5 is a left side elevation view of the augmented reality lens in a use configuration illustrated in FIG. 1;
 FIG. 6 is a front side elevation view of the augmented reality lens in a use configuration illustrated in FIG. 1;
 FIG. 7 is a back side elevation view of the augmented reality lens in a use configuration illustrated in FIG. 1;
 FIG. 8 is a top side elevation view of the augmented reality lens in a use configuration illustrated in FIG. 1; and,
 FIG. 9 is a bottom side elevation view of the augmented reality lens in a use configuration illustrated in FIG. 1.
 The broken lines are included for the purpose of illustrating environmental subject matter and form no part of the claimed design.

Related U.S. Application Data

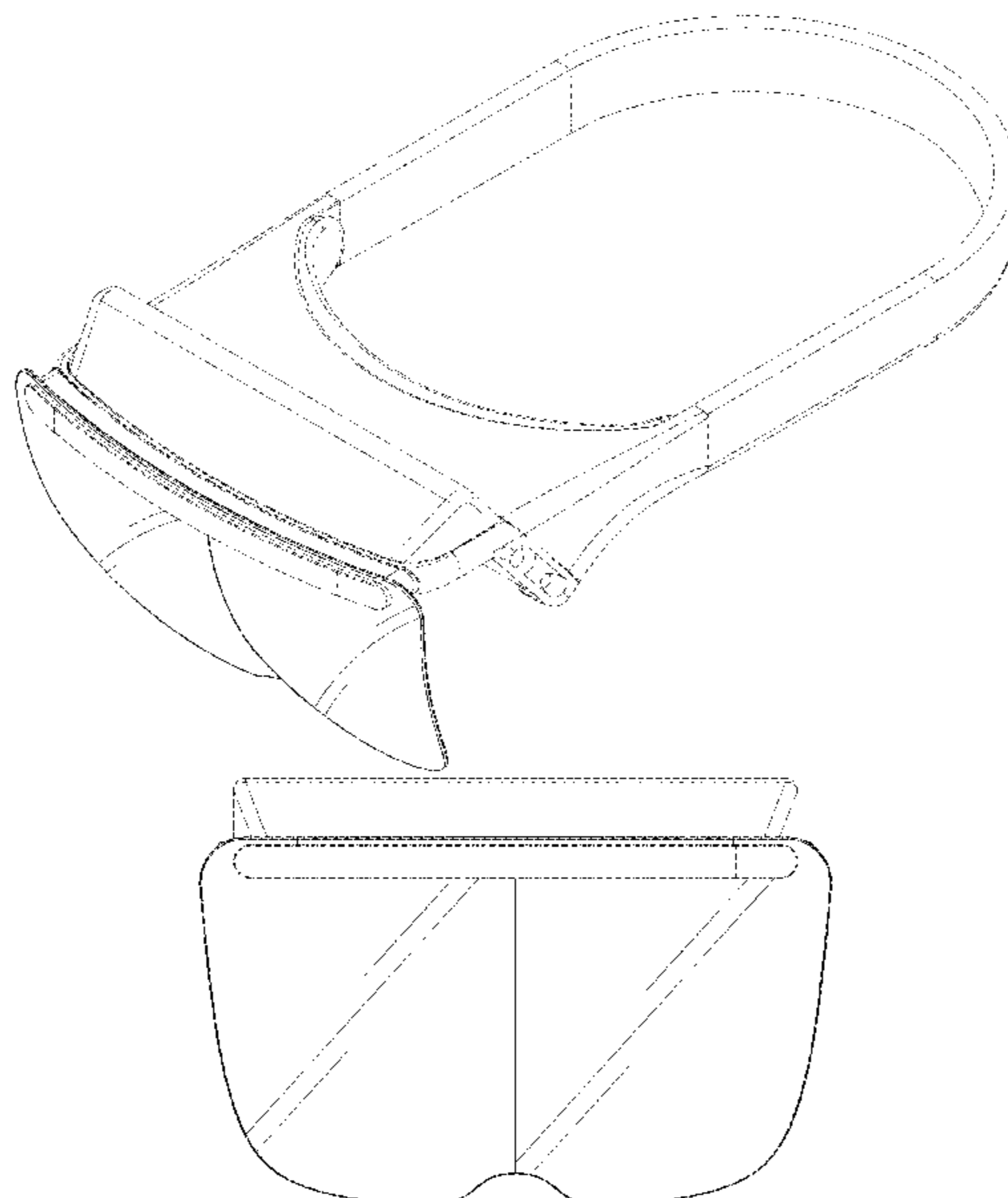
- (62) Division of application No. 29/602,550, filed on May 1, 2017, now Pat. No. Des. 859,403.
- (51) **LOC (12) Cl.** **14-02**
- (52) **U.S. Cl.**
USPC **D14/372**
- (58) **Field of Classification Search**
USPC D14/372, 496, 432, 371, 125, 126, 129, D14/299; D16/300–342; 351/158, 153, 351/144; 345/7–9, 905; 455/344; 348/115, 53, 121, 739
CPC G02B 27/017; G02B 27/0158; G02B 27/0161; G02B 27/0181; G02B 27/0185; G02B 27/0189
See application file for complete search history.

(56) **References Cited**

U.S. PATENT DOCUMENTS

- D741,858 S * 10/2015 Bosveld D14/372
- D771,627 S * 11/2016 Ko D14/372

1 Claim, 8 Drawing Sheets



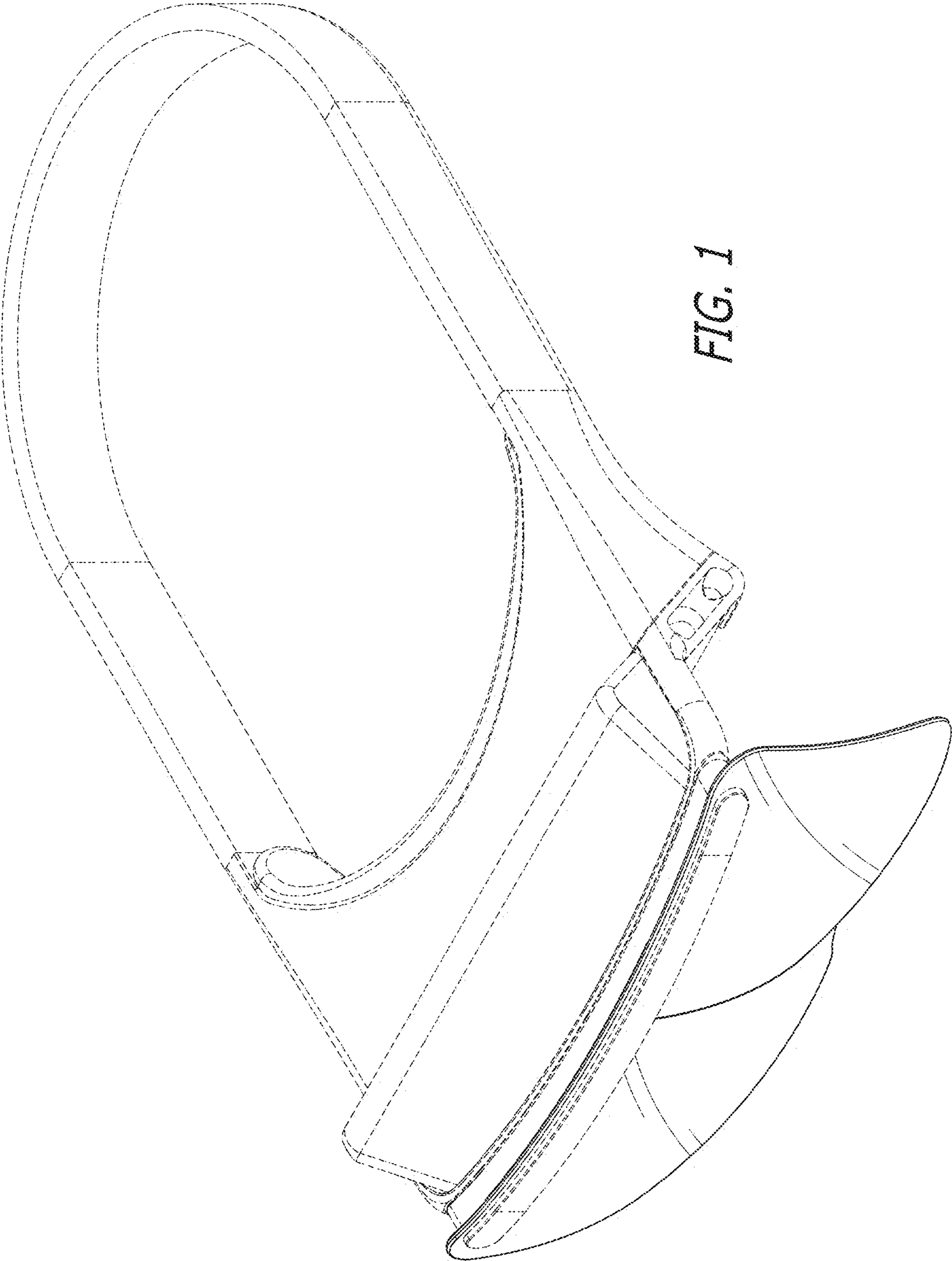


FIG. 1

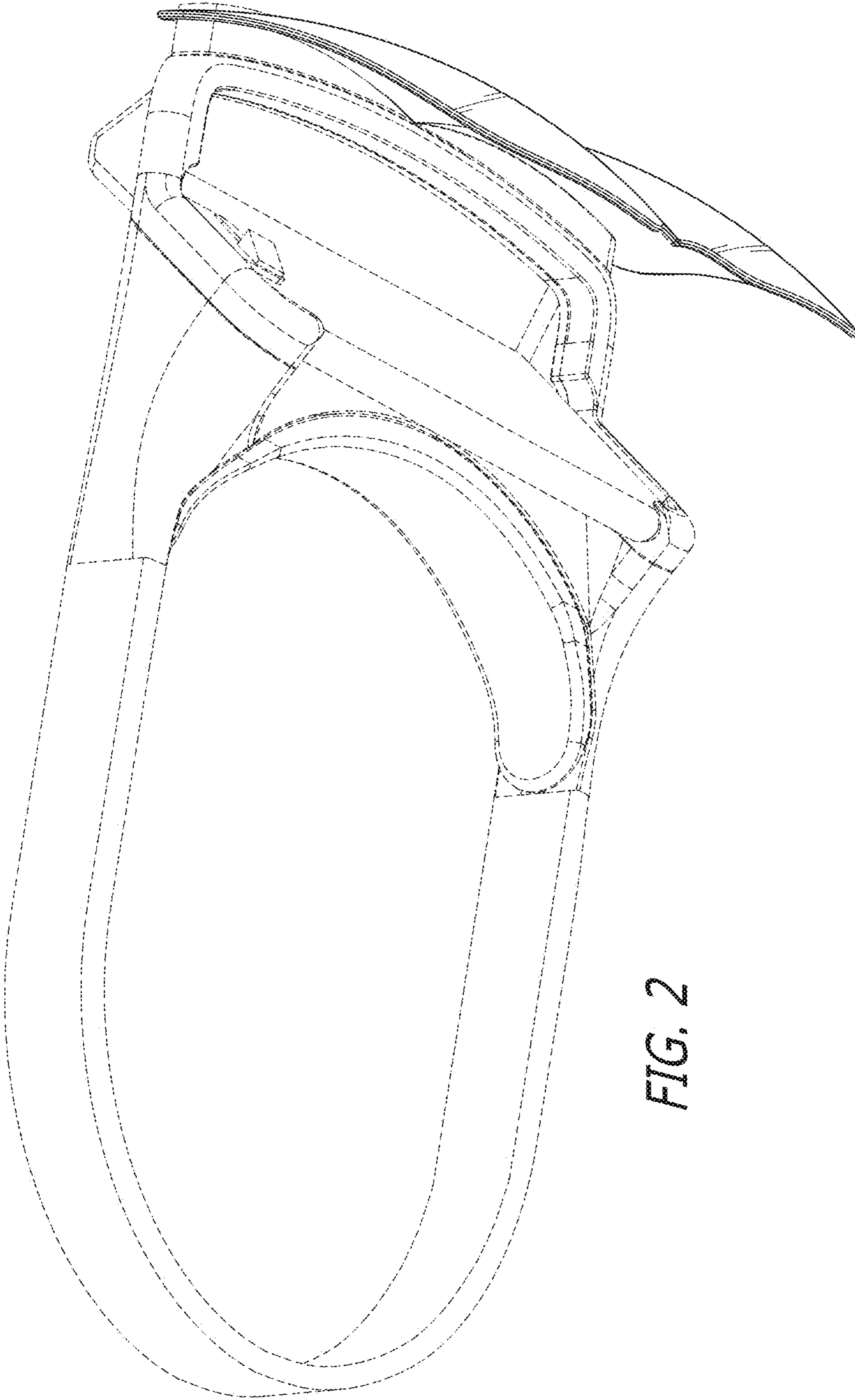


FIG. 2

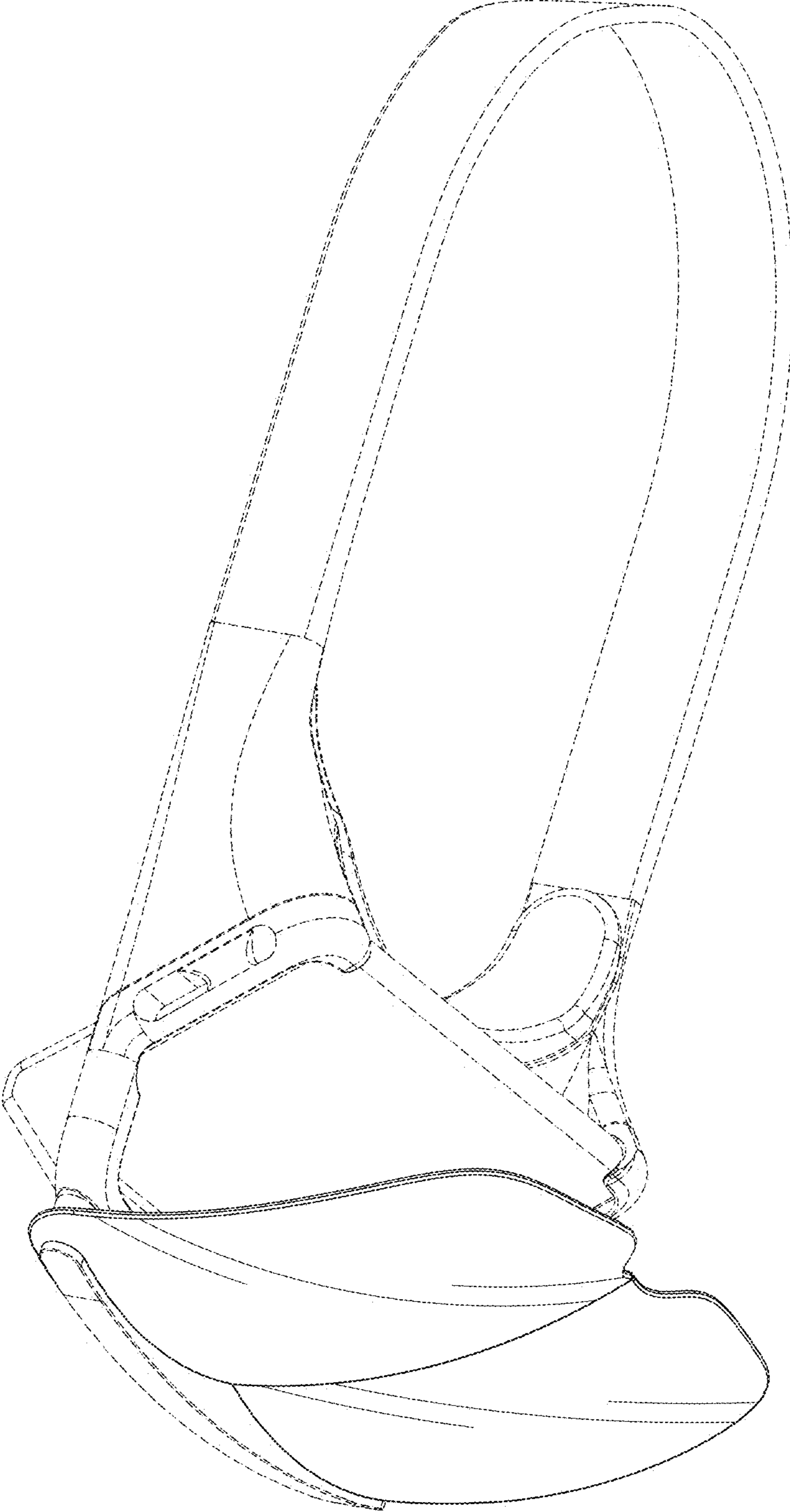


FIG. 3

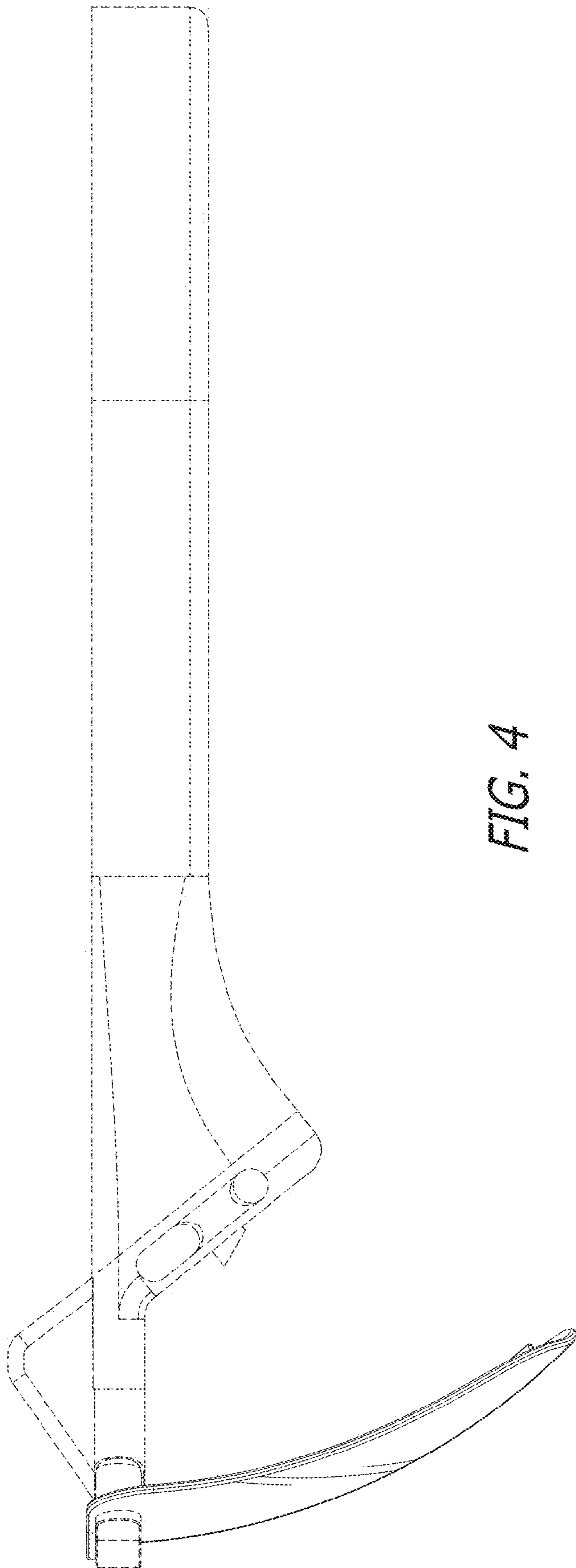


FIG. 4

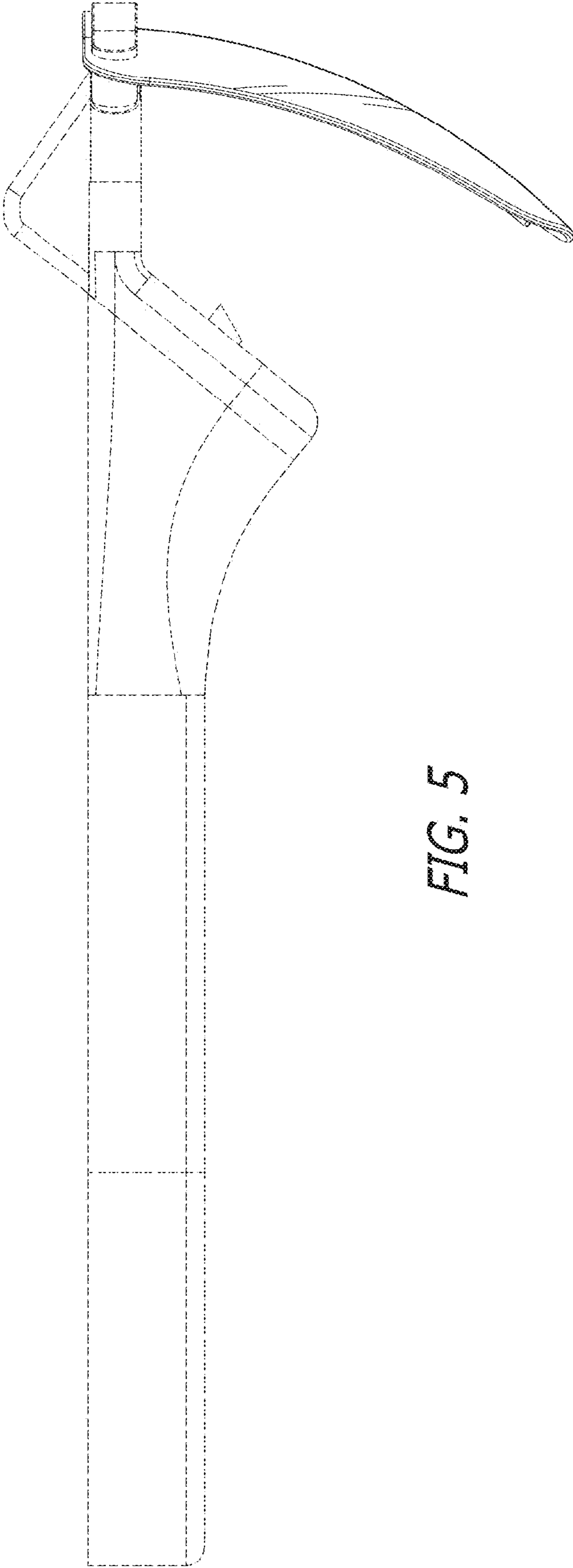


FIG. 5

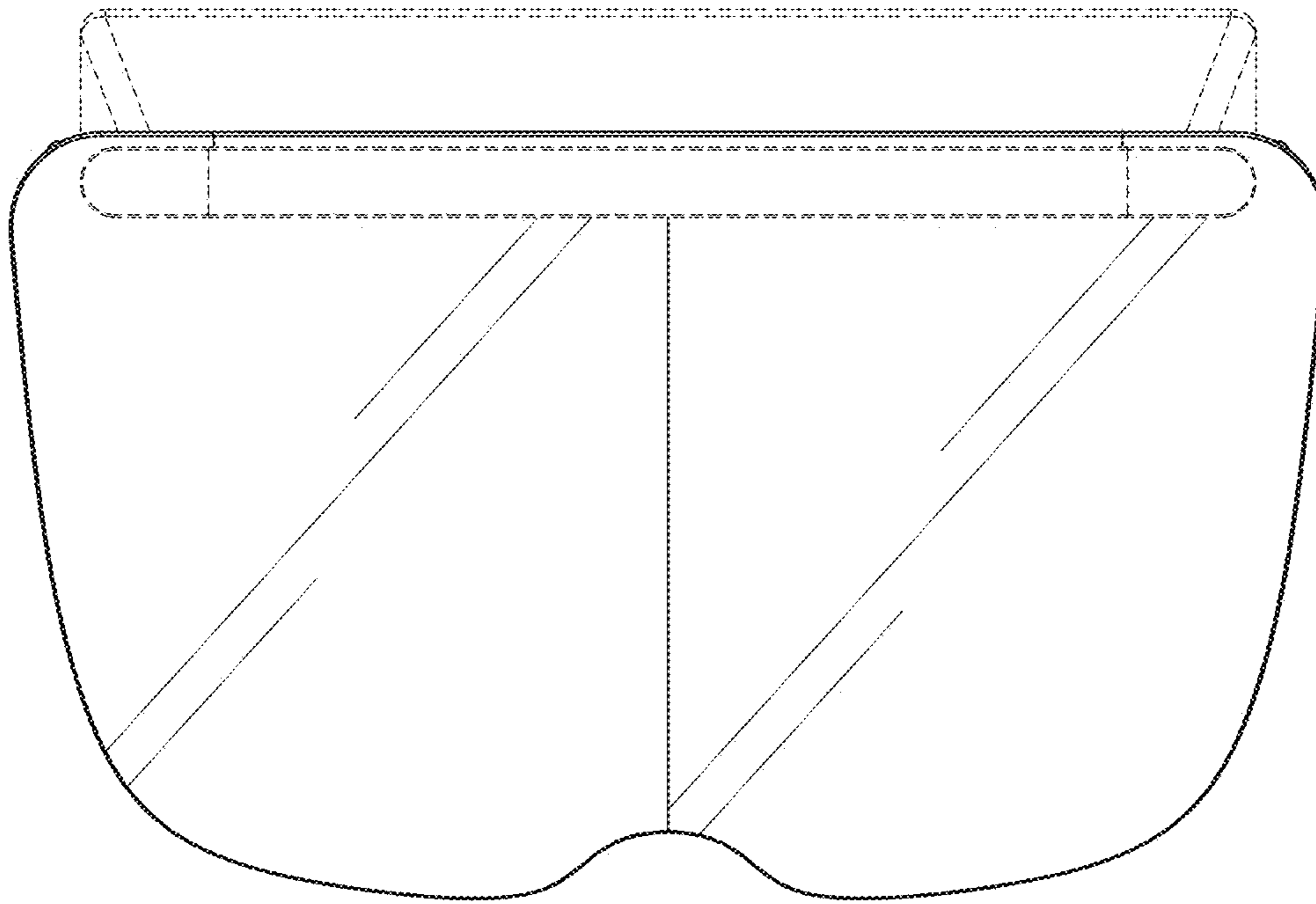


FIG. 6

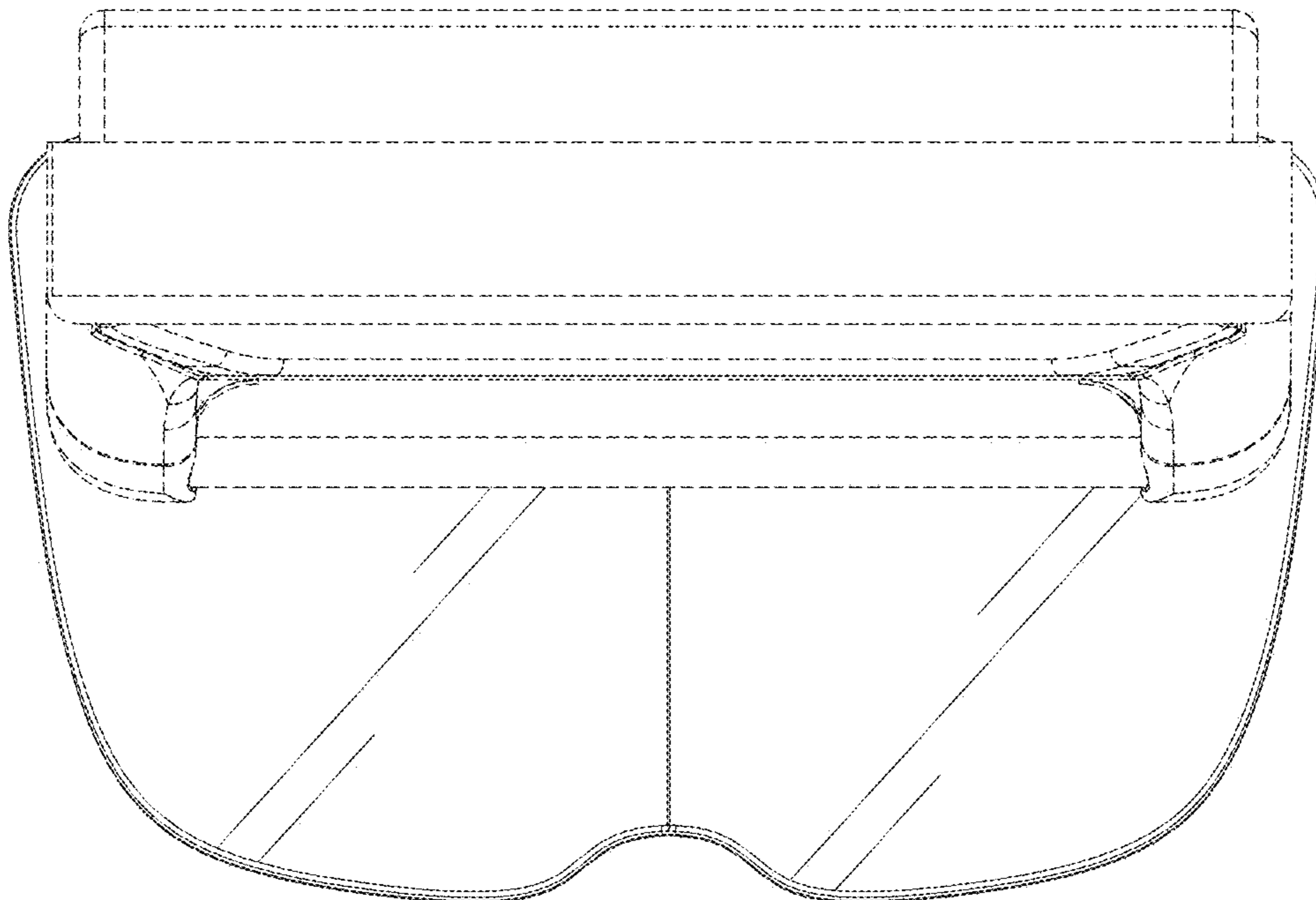


FIG. 7

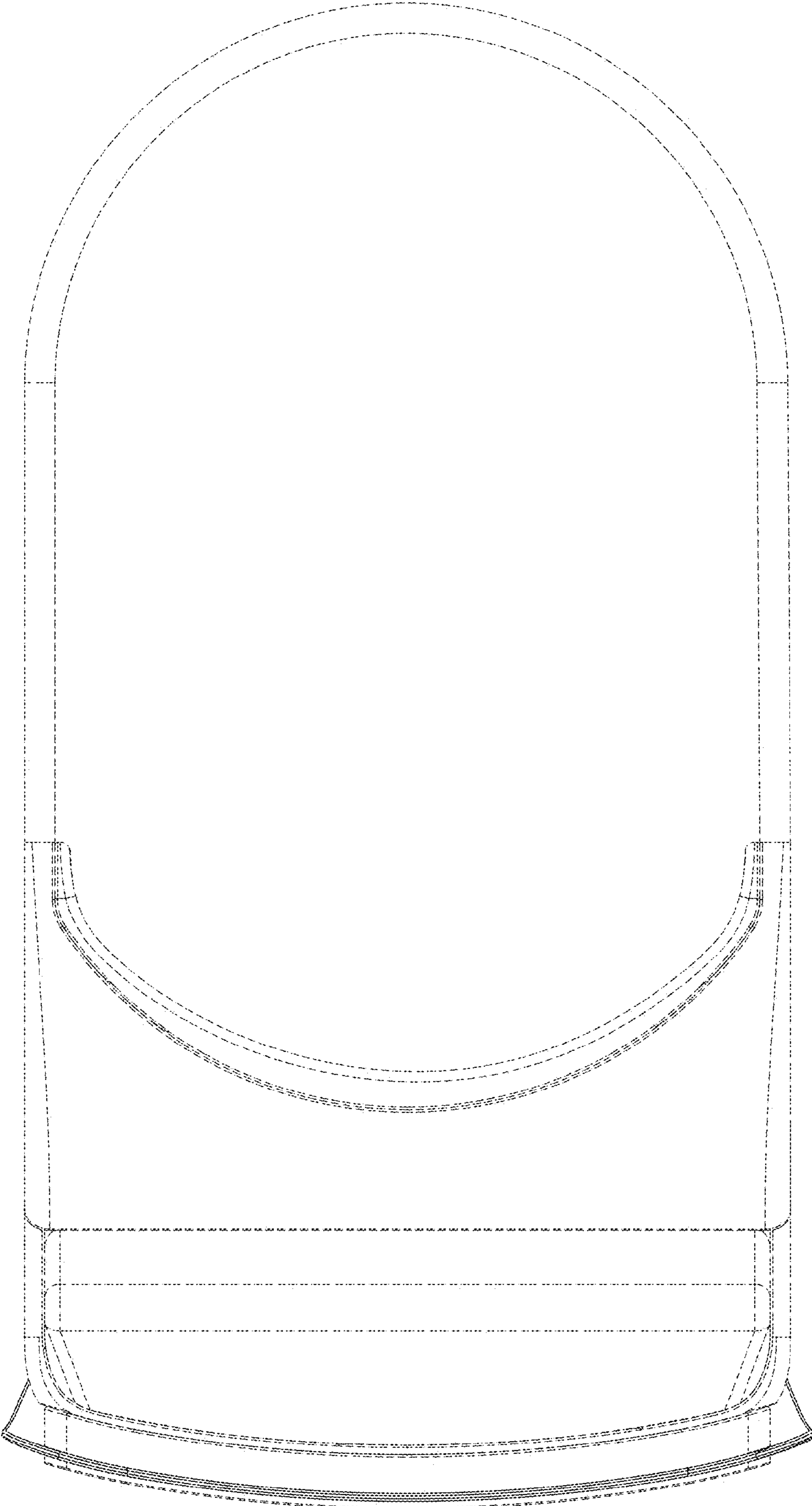


FIG. 8

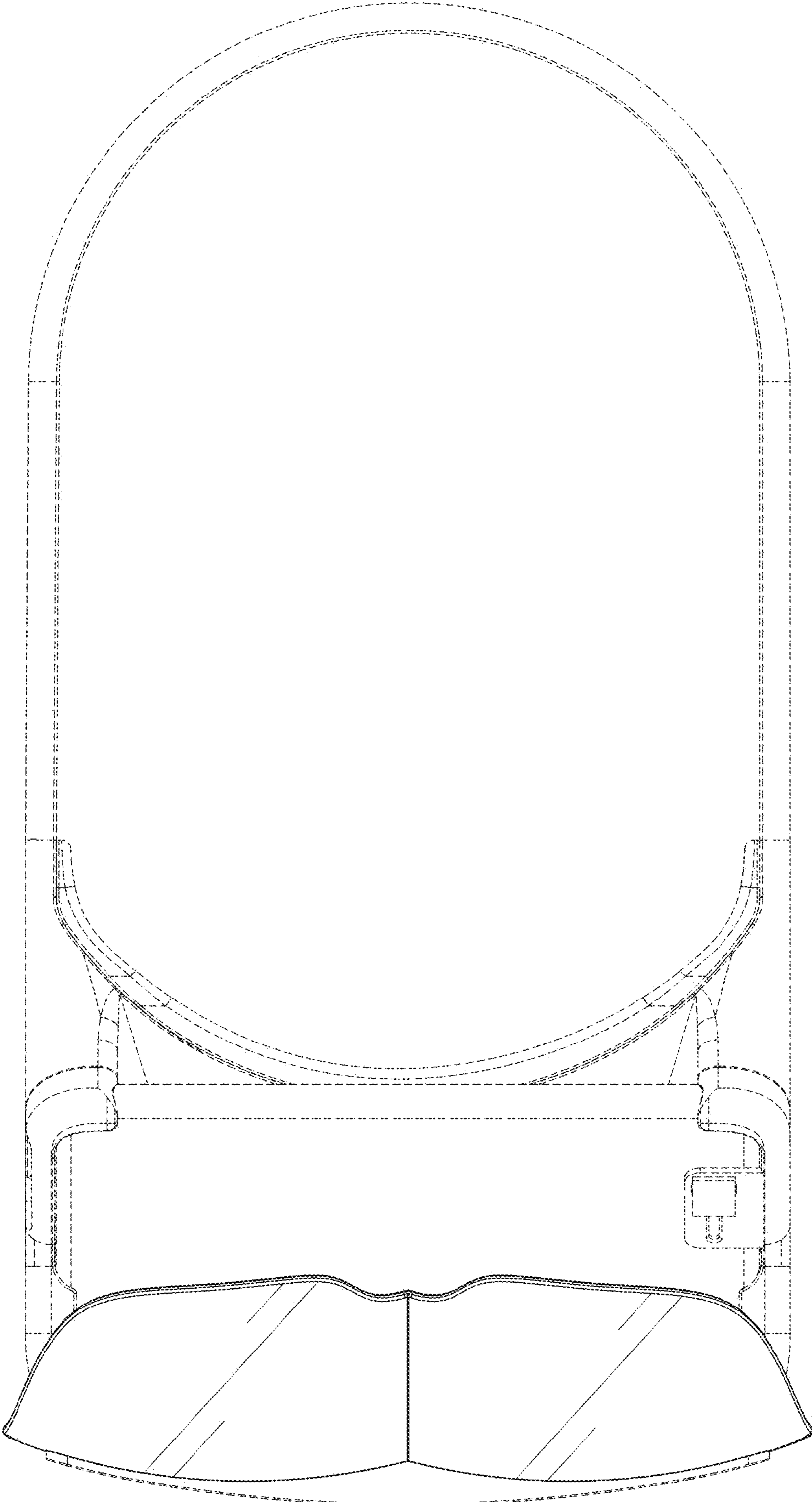


FIG. 9