



US00D881878S

(12) **United States Design Patent**  
**Lau et al.**

(10) **Patent No.:** **US D881,878 S**  
(45) **Date of Patent:** **\*\* Apr. 21, 2020**

- (54) **HEAD-MOUNTED DISPLAY DEVICE**
- (71) Applicant: **VOTANIC Ltd.**, Hong Kong (CN)
- (72) Inventors: **Ying Kei Henry Lau**, Hong Kong (CN); **Kin Yip Chan**, Hong Kong (CN); **Wai Lam Tam**, Hong Kong (CN); **Ka Tsun Adrian Ng**, Hong Kong (CN); **Hing Tobey Ko**, Hong Kong (CN)
- (73) Assignee: **VOTANIC LTD.**, Hong Kong (CN)
- (\*\*) Term: **15 Years**
- (21) Appl. No.: **29/662,434**
- (22) Filed: **Sep. 5, 2018**
- (51) **LOC (12) Cl.** ..... **14-02**
- (52) **U.S. Cl.**  
USPC ..... **D14/372**
- (58) **Field of Classification Search**  
USPC ..... D14/372, 496, 432, 371, 125, 126, 129, 14/299; D16/300-342; 351/158, 153, 351/144; 345/7-9, 905; 455/344; 348/115, 53, 121, 739  
CPC ..... G02B 27/017; G02B 27/0158; G02B 27/0161; G02B 27/0181; G02B 27/0185; G02B 27/0189  
See application file for complete search history.

D815,092 S *	4/2018	Liao	.....	D14/372
D820,259 S *	6/2018	Lee	.....	D14/372
D836,108 S *	12/2018	Natsume	.....	D14/372
D839,269 S *	1/2019	Wang	.....	D14/372
D840,398 S *	2/2019	Li	.....	D14/372
D845,296 S *	4/2019	Natsume	.....	D14/372
D845,297 S *	4/2019	Natsume	.....	D14/372
D856,328 S *	8/2019	Xing	.....	D14/372
D857,693 S *	8/2019	Natsume	.....	D14/372
D859,403 S *	9/2019	Reed	.....	D14/372
D861,680 S *	10/2019	Chou	.....	D14/372
D862,464 S *	10/2019	Natsume	.....	D14/372
D862,468 S *	10/2019	Chen	.....	D14/372
D864,959 S *	10/2019	Osterhout	.....	D14/372
D865,762 S *	11/2019	Lau	.....	D14/372
D865,763 S *	11/2019	Lau	.....	D14/372

\* cited by examiner

*Primary Examiner* — Austin Murphy  
(74) *Attorney, Agent, or Firm* — Leason Ellis LLP

(57) **CLAIM**

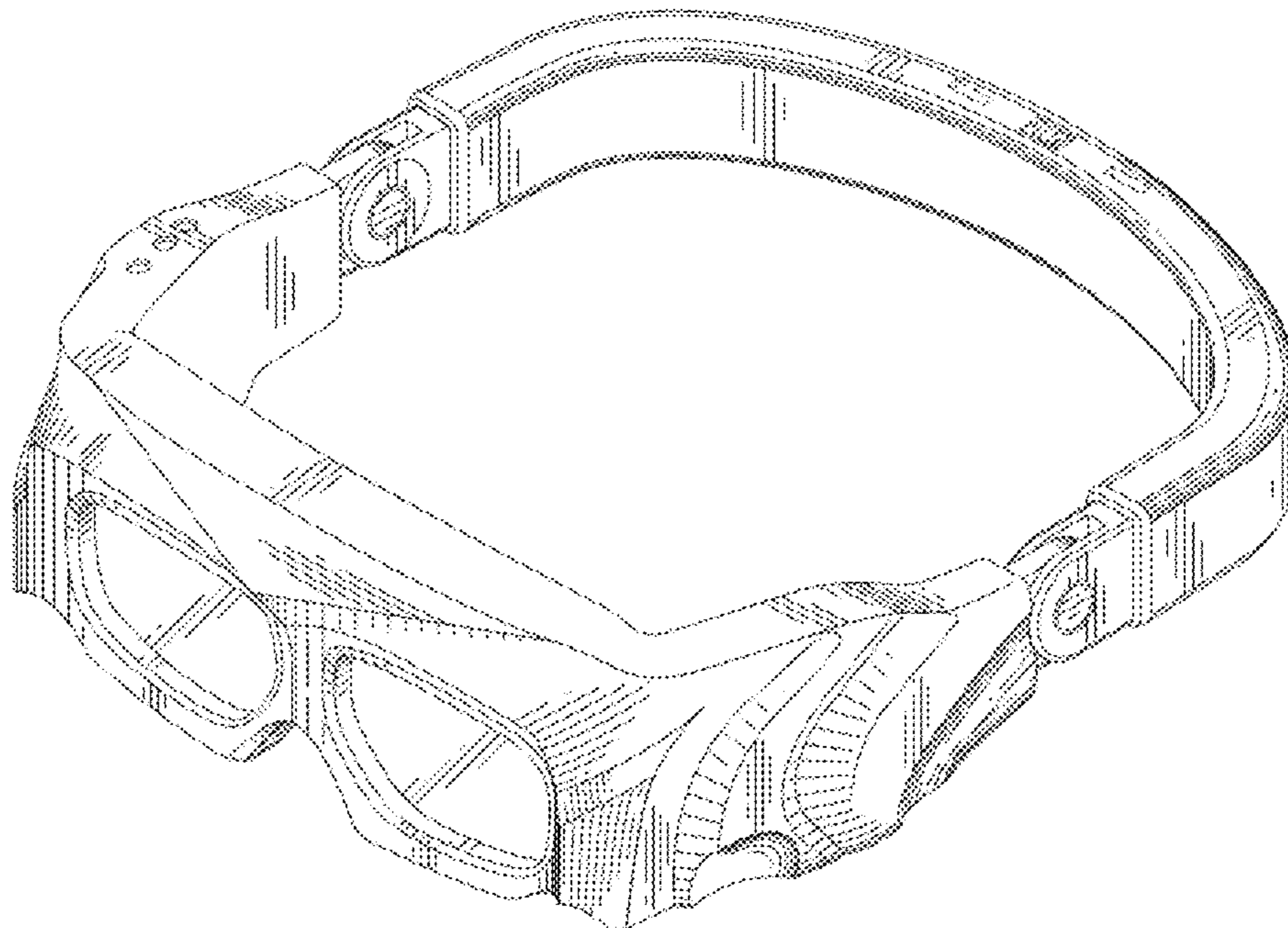
The ornamental design for a head-mounted display device, as shown and described.

**DESCRIPTION**

FIG. 1 is a top, right-side perspective view of a head-mounted display device showing our new design; FIG. 2 is a left side elevation view thereof; FIG. 3 is a right-side elevation view thereof; FIG. 4 is a top plan view thereof; FIG. 5 is bottom plan view thereof; and FIG. 6 is a front elevation view thereof; and, FIG. 7 is a rear elevation view thereof. The broken lines in the drawings represent portions of the head-mounted display device that form no part of the claimed design.

**1 Claim, 5 Drawing Sheets**

- (56) **References Cited**  
U.S. PATENT DOCUMENTS  
D741,858 S \* 10/2015 Bosveld ..... D14/372  
D771,627 S \* 11/2016 Ko ..... D14/372  
D798,862 S \* 10/2017 Wang ..... D14/372  
D800,727 S \* 10/2017 Mullins ..... D14/372



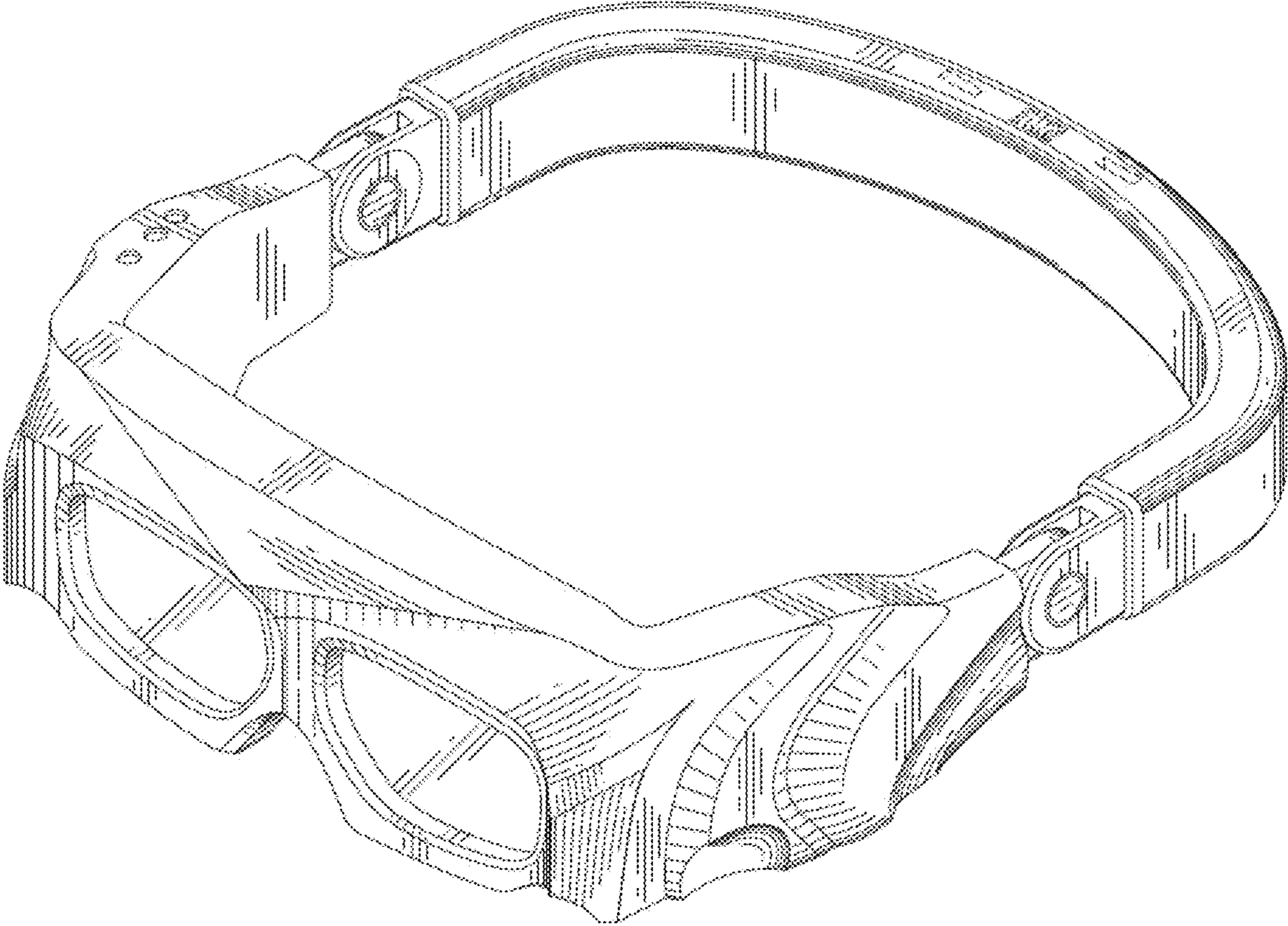


Fig. 1

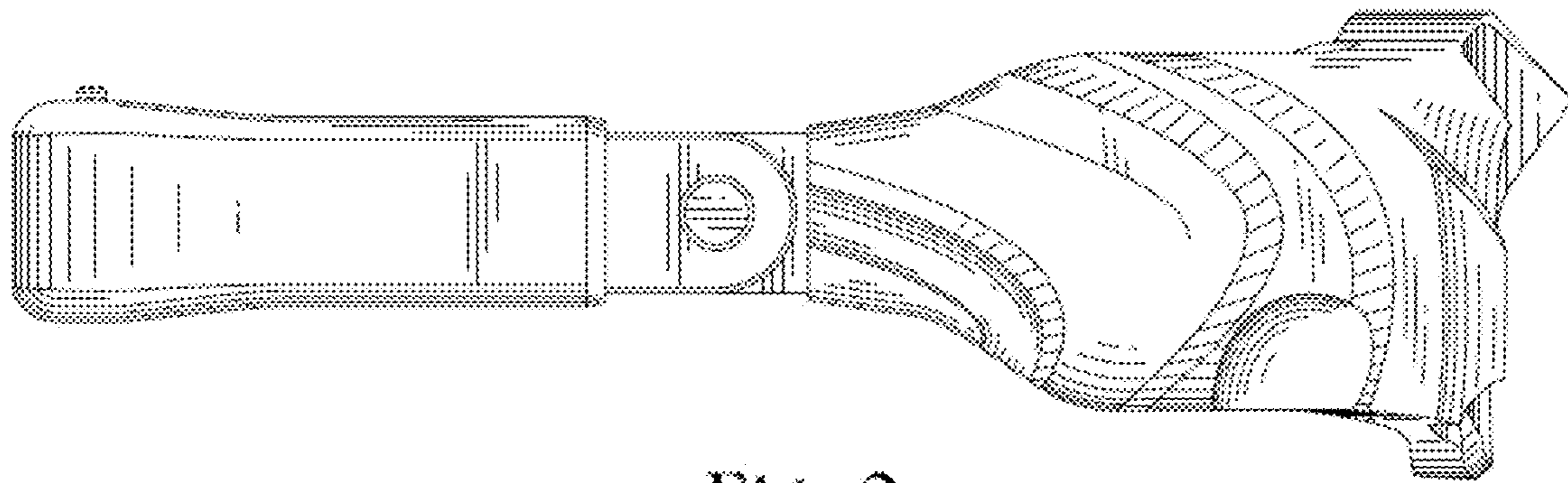


Fig. 2

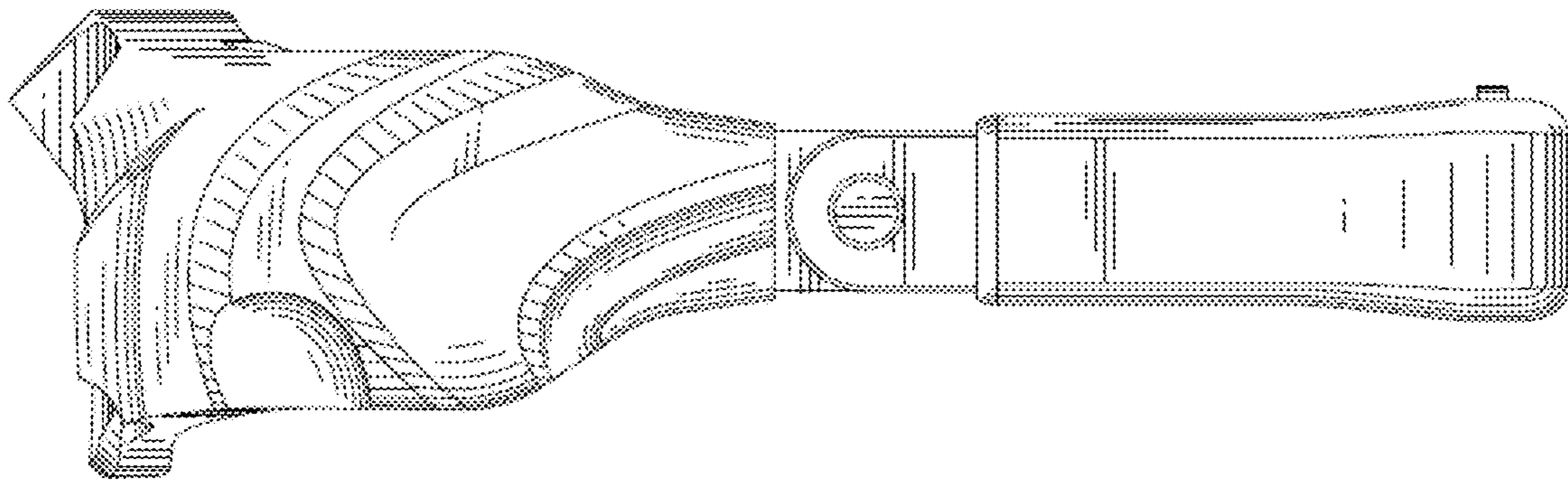


Fig. 3

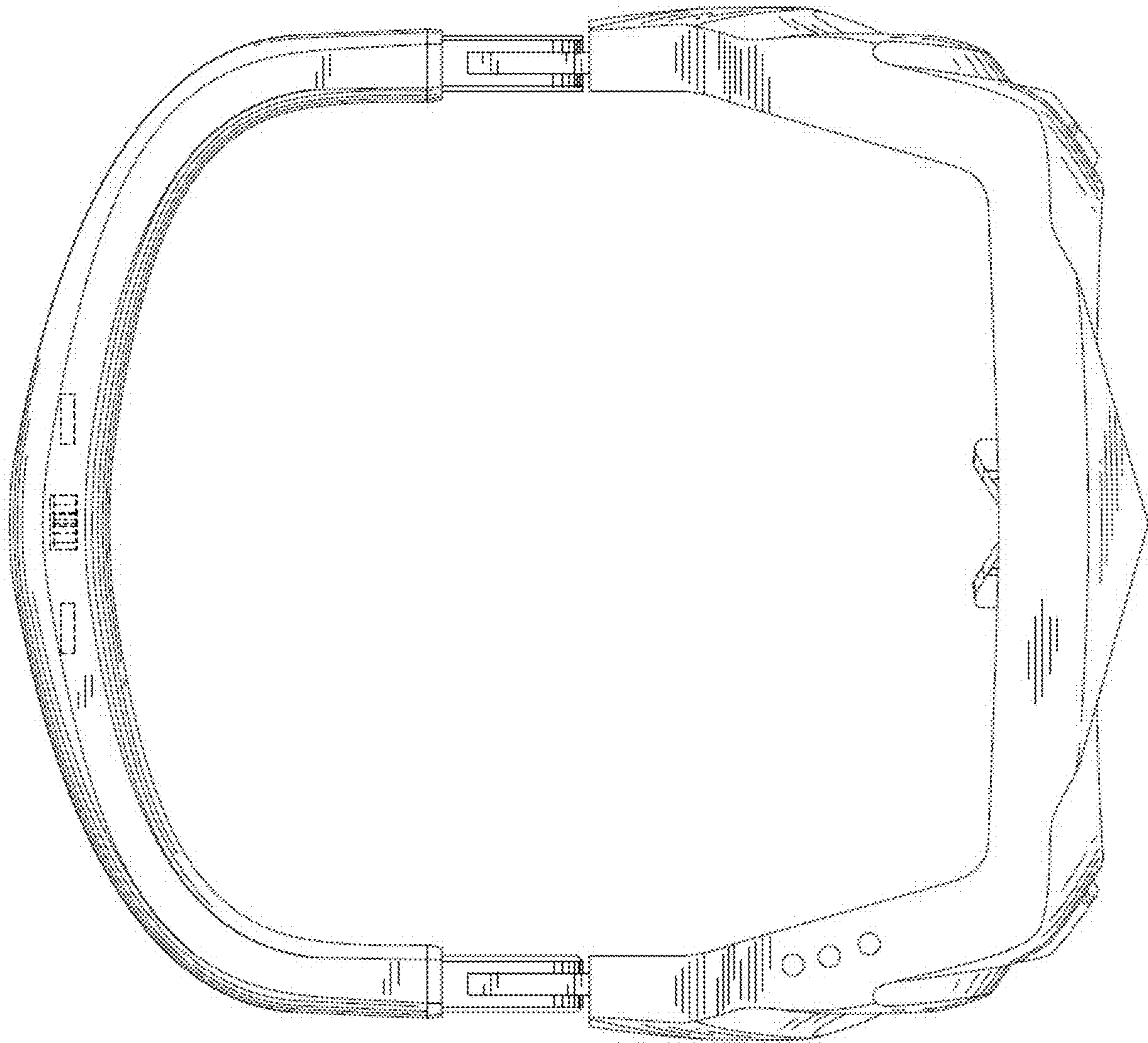


Fig. 4

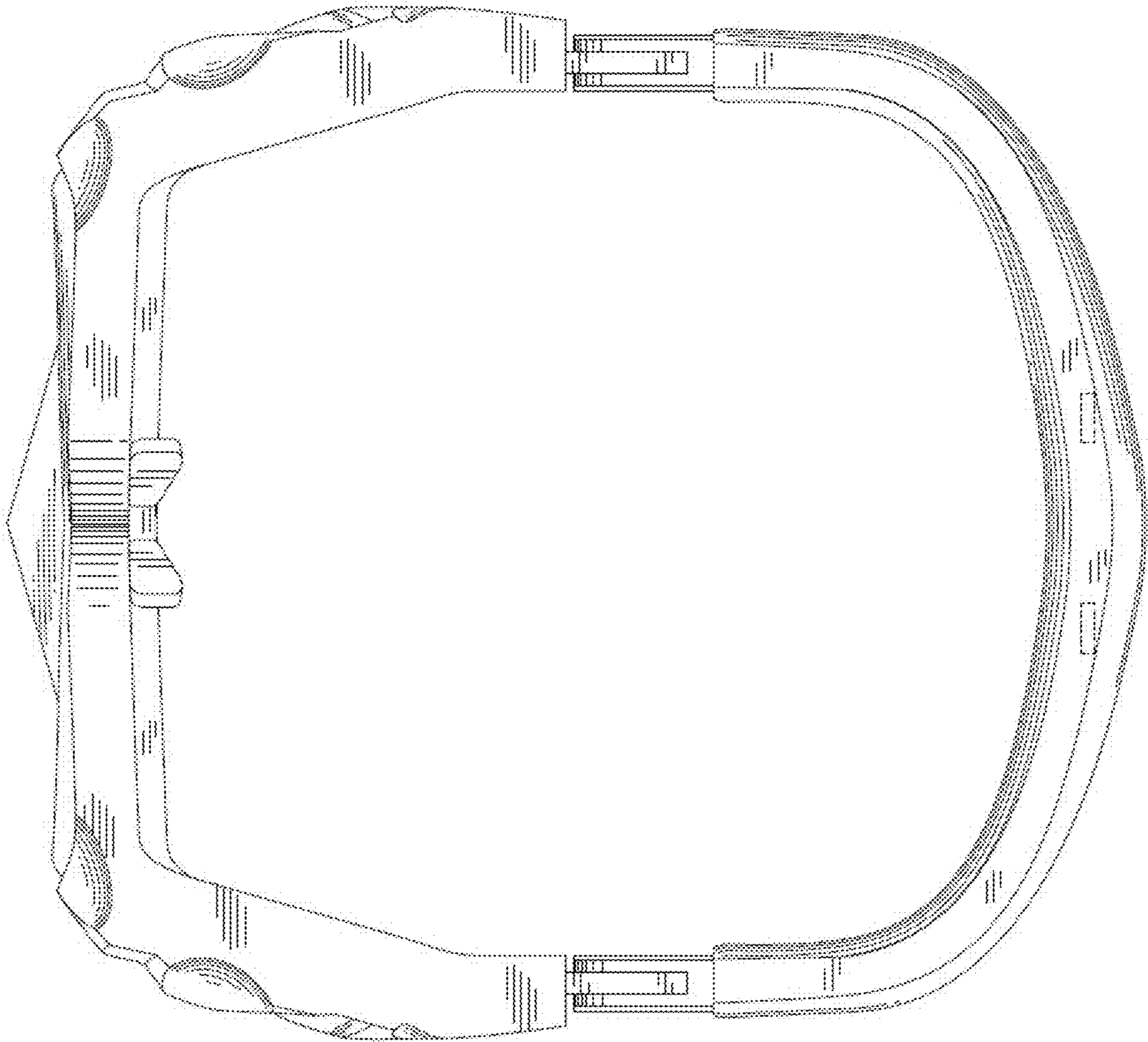


Fig. 5

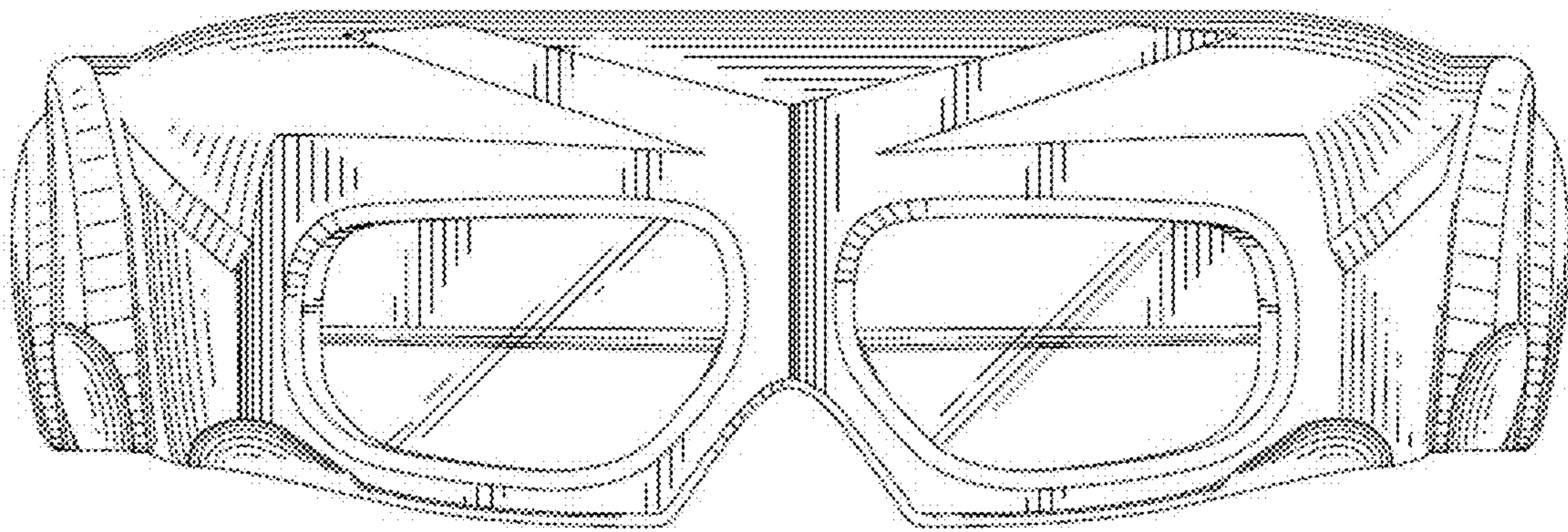


Fig. 6

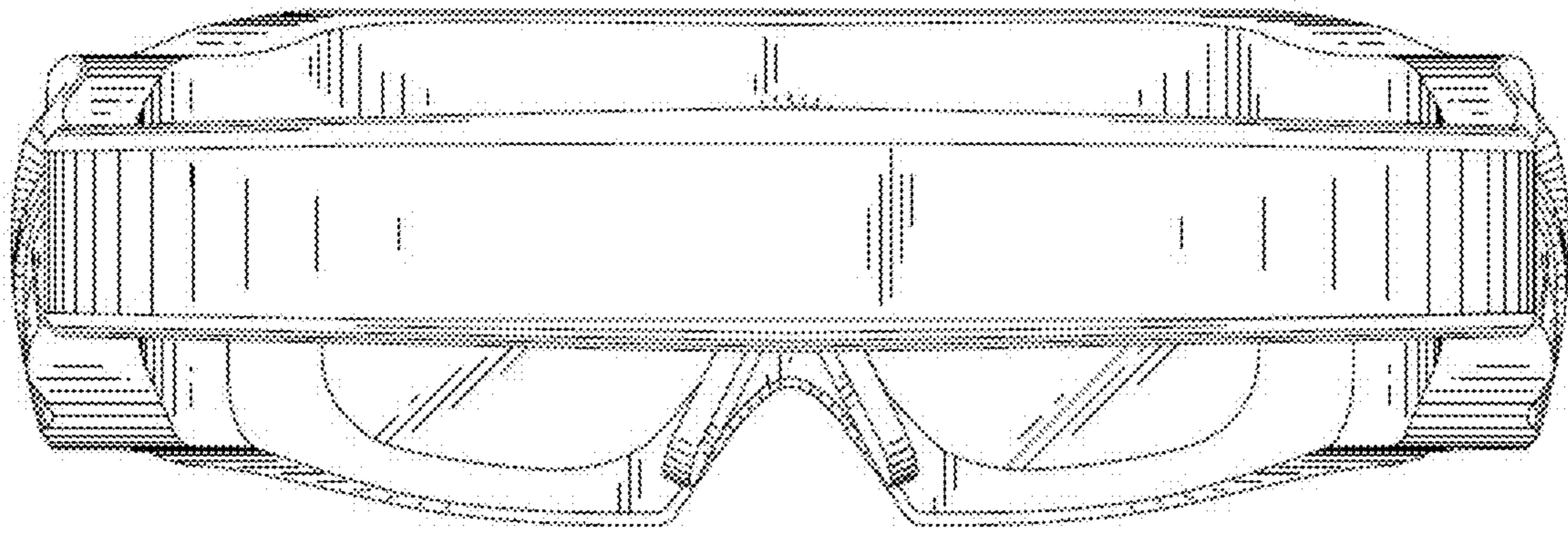


Fig. 7