



US00D881875S

(12) **United States Design Patent**
Ke

(10) **Patent No.:** **US D881,875 S**

(45) **Date of Patent:** **** Apr. 21, 2020**

(54) **SMART BRACELET**

(71) Applicant: **Xiaojun Ke**, Hubei Province (CN)

(72) Inventor: **Xiaojun Ke**, Hubei Province (CN)

(**) Term: **15 Years**

(21) Appl. No.: **29/704,646**

(22) Filed: **Sep. 5, 2019**

(30) **Foreign Application Priority Data**

Aug. 1, 2019 (CN) 2019 3 0416306

(51) **LOC (12) Cl.** **14-02**

(52) **U.S. Cl.**
USPC **D14/344**

(58) **Field of Classification Search**
USPC .. D14/138 R, 144, 341, 344, 358, 388, 218;
D10/30-39, 70, 98; D11/3, 4, 26, 93-94,
D11/78.1, 79, 86; D24/167, 169,
D24/186-187, 164
CPC A41D 1/002; A41D 19/0034; G06F 1/04;
G06F 1/08; G06F 1/10; G06F 1/14; G06F
1/1626; G06F 1/1628; G06F 1/163; G06F
1/1635; G06F 1/3203; G06Q 20/10;
G06Q 20/12; G06Q 20/108; G06Q
20/145; H04B 1/3833; H04B 1/385;
H04B 1/3888; H04M 1/02; H04M 1/03;
H04M 1/04; H04M 1/05; H04M 1/667;
H04M 1/6058; Y02B 60/1217
See application file for complete search history.

(56) **References Cited**

U.S. PATENT DOCUMENTS

D287,470 S * 12/1986 Houlihan D10/30
D348,401 S * 7/1994 Riley D10/30
D353,105 S * 12/1994 Houlihan D10/30
D382,815 S * 8/1997 Riley D10/30
D409,923 S * 5/1999 Riley D10/30

D470,776 S * 2/2003 Blondin D10/30
D612,270 S * 3/2010 Keithline, III D10/38
D752,045 S * 3/2016 Kim D10/38
D762,491 S * 8/2016 Okazaki D10/126
D800,580 S * 10/2017 Lasserre D10/30
D816,080 S 4/2018 Chen et al.
D821,891 S * 7/2018 Parmigiani D10/30
D848,863 S * 5/2019 Le Bot D10/30

(Continued)

OTHER PUBLICATIONS

LNBEI CF007 Waterproof & dustproof Smart Bracelet Fitness Tracker Heart Rate Blood Pressure Monitor Passometer Bluetooth Multi-function, posted as early as Mar. 9, 2018, [retrieved Nov. 9, 2019]. Retrieved from Internet, <URL: <https://www.amazon.com/LNBEI-waterproof-dustproof-Passometer-Multifunction/dp/B075GJJNF2>>.*

(Continued)

Primary Examiner — Shannon W Morgan
Assistant Examiner — Kristin E Reed
(74) *Attorney, Agent, or Firm* — Jie Yang; ZanIP

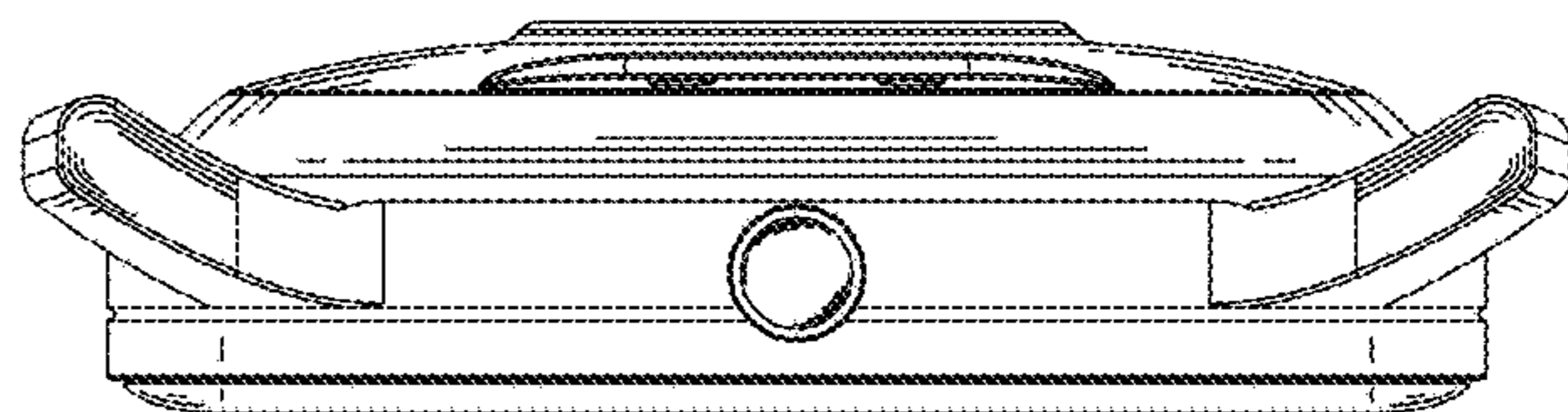
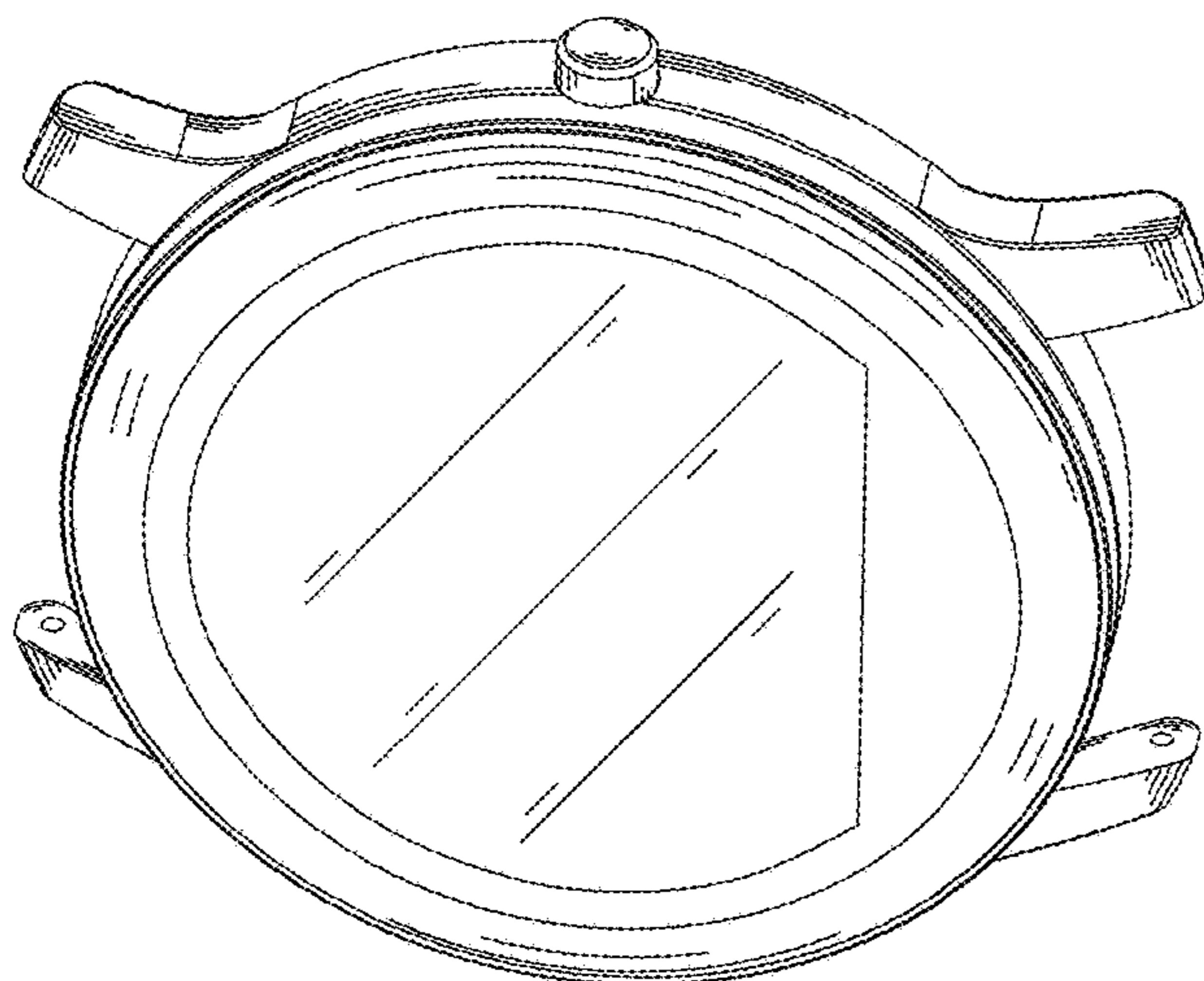
(57) **CLAIM**

The ornamental design for a smart bracelet, as shown and described.

DESCRIPTION

FIG. 1 is a front and top perspective view of a smart bracelet, showing my new design;
FIG. 2 is a rear and bottom perspective view thereof;
FIG. 3 is a front elevational view thereof;
FIG. 4 is a rear elevational view thereof;
FIG. 5 is a left side elevational view thereof;
FIG. 6 is a right side elevational view thereof;
FIG. 7 is a top plan view thereof; and,
FIG. 8 is a bottom plan view thereof.
The broken lines in the figures illustrate portions of the smart bracelet that form no part of the claimed design.

1 Claim, 8 Drawing Sheets



(56)

References Cited

U.S. PATENT DOCUMENTS

D862,252 S * 10/2019 Lasserre D10/30

OTHER PUBLICATIONS

IP68 Waterproof Smart Bracelet Band Heart Rate Sport Fitness Tracker, posted Nov. 27, 2018, [retrieved Nov. 9, 2019]. Retrieved from Internet, <URL: <https://www.deal-dx.net/deal-dx/viewitem/631645-ip68-waterproof-smart-bracelet-band-heart-rate-sport-fitness-tracker-smart-wristband-bluetooth.html#.XcbbiNKhjU>>.*

* cited by examiner

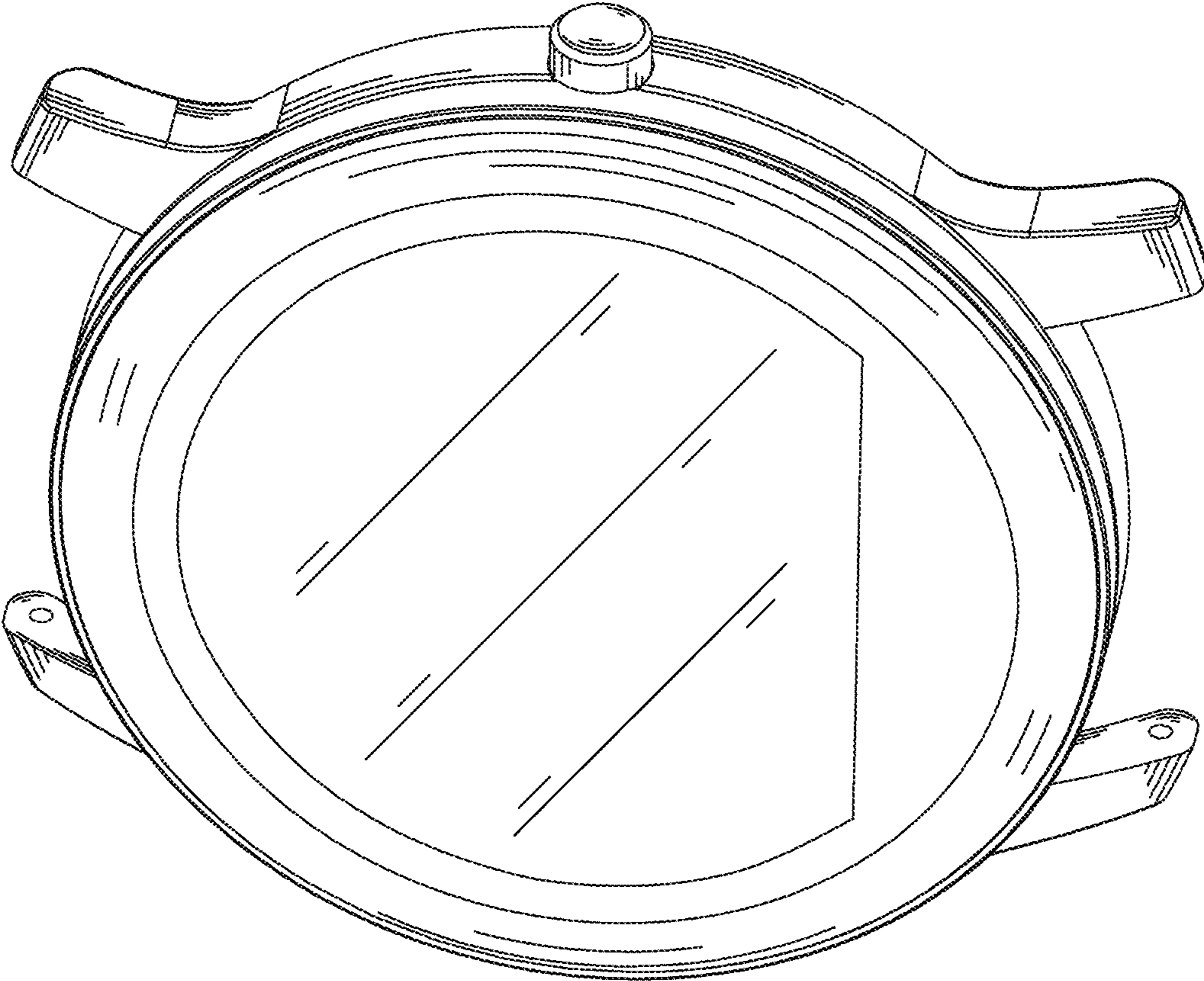


FIG. 1

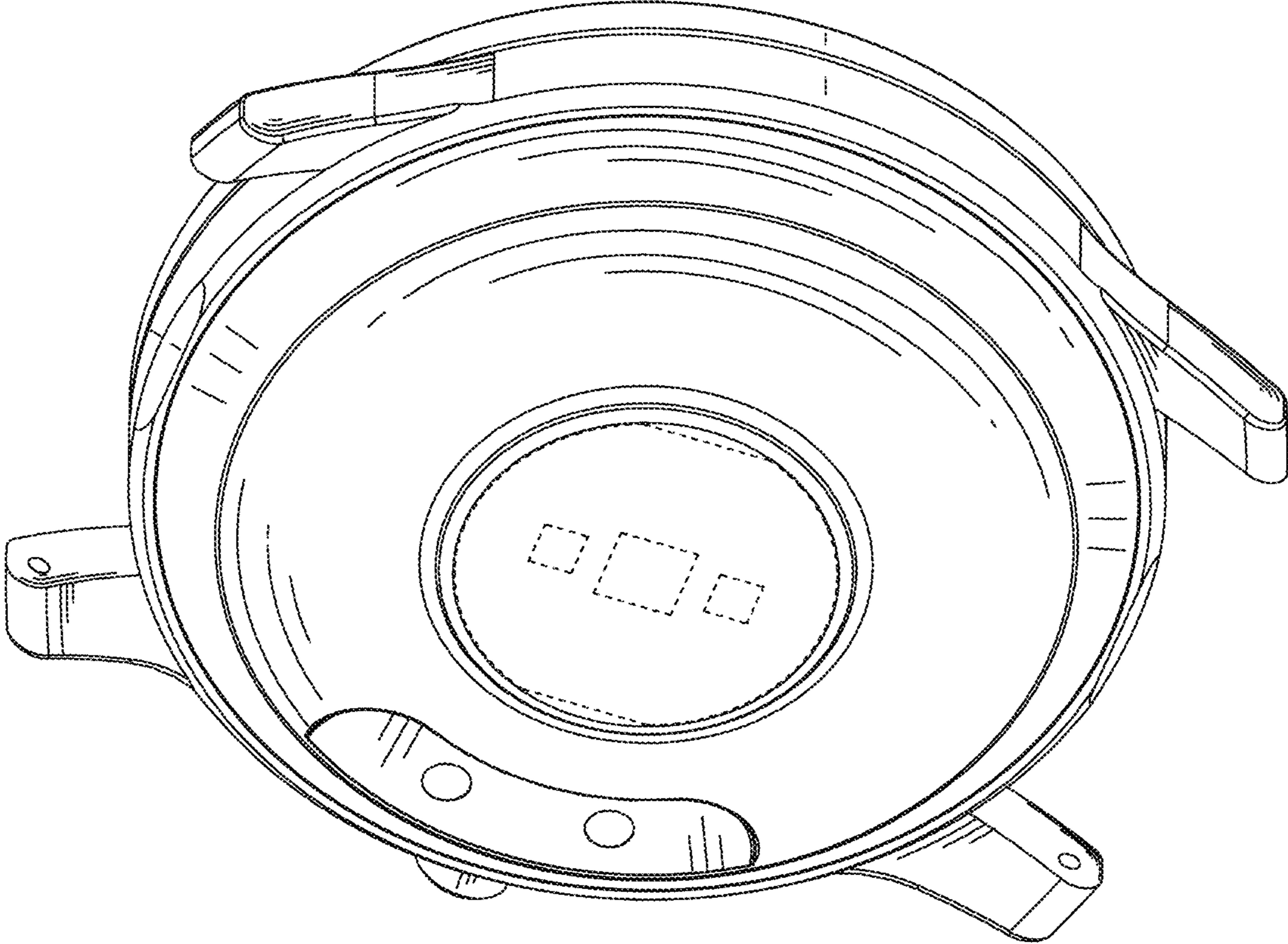


FIG. 2

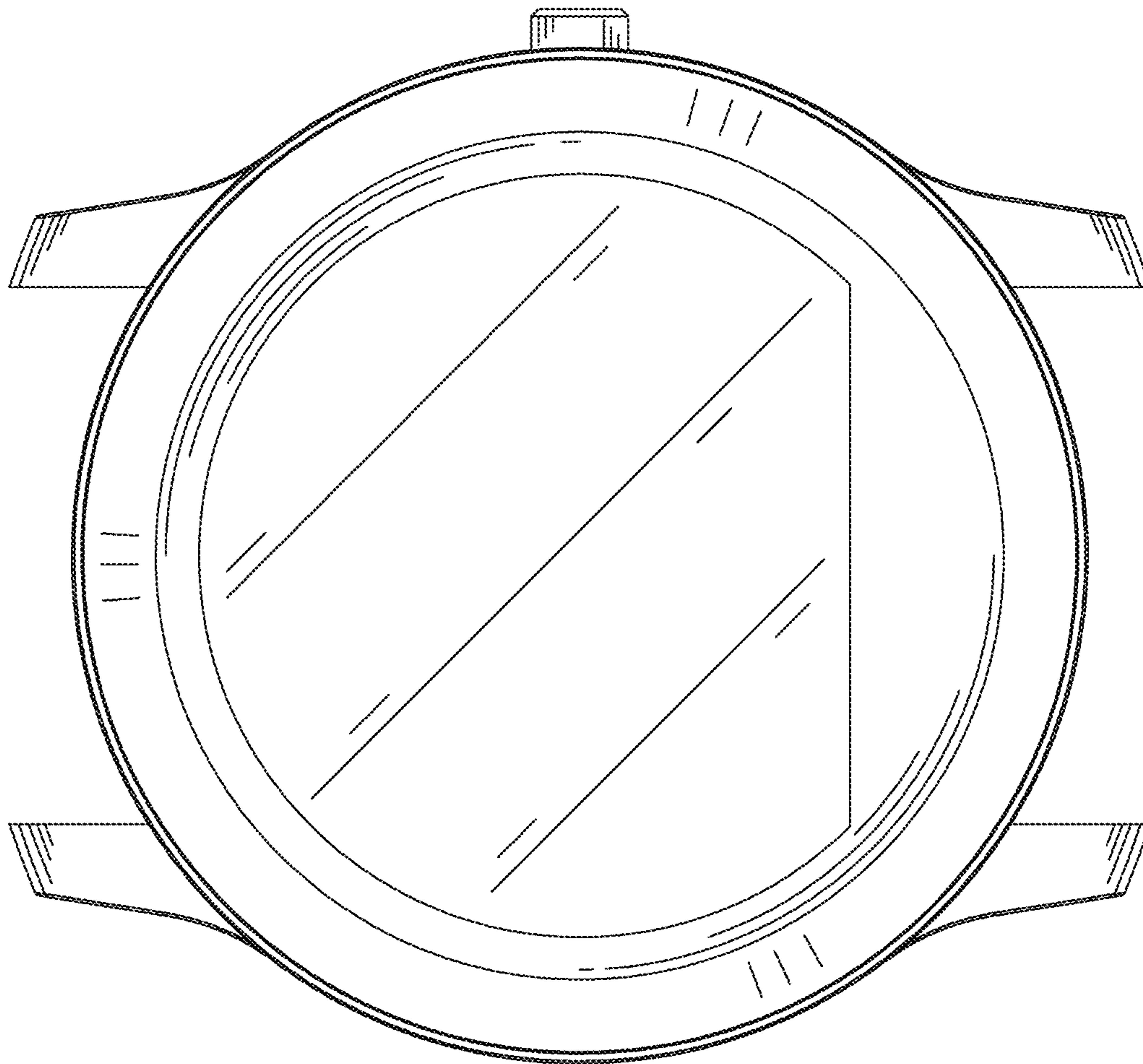


FIG. 3

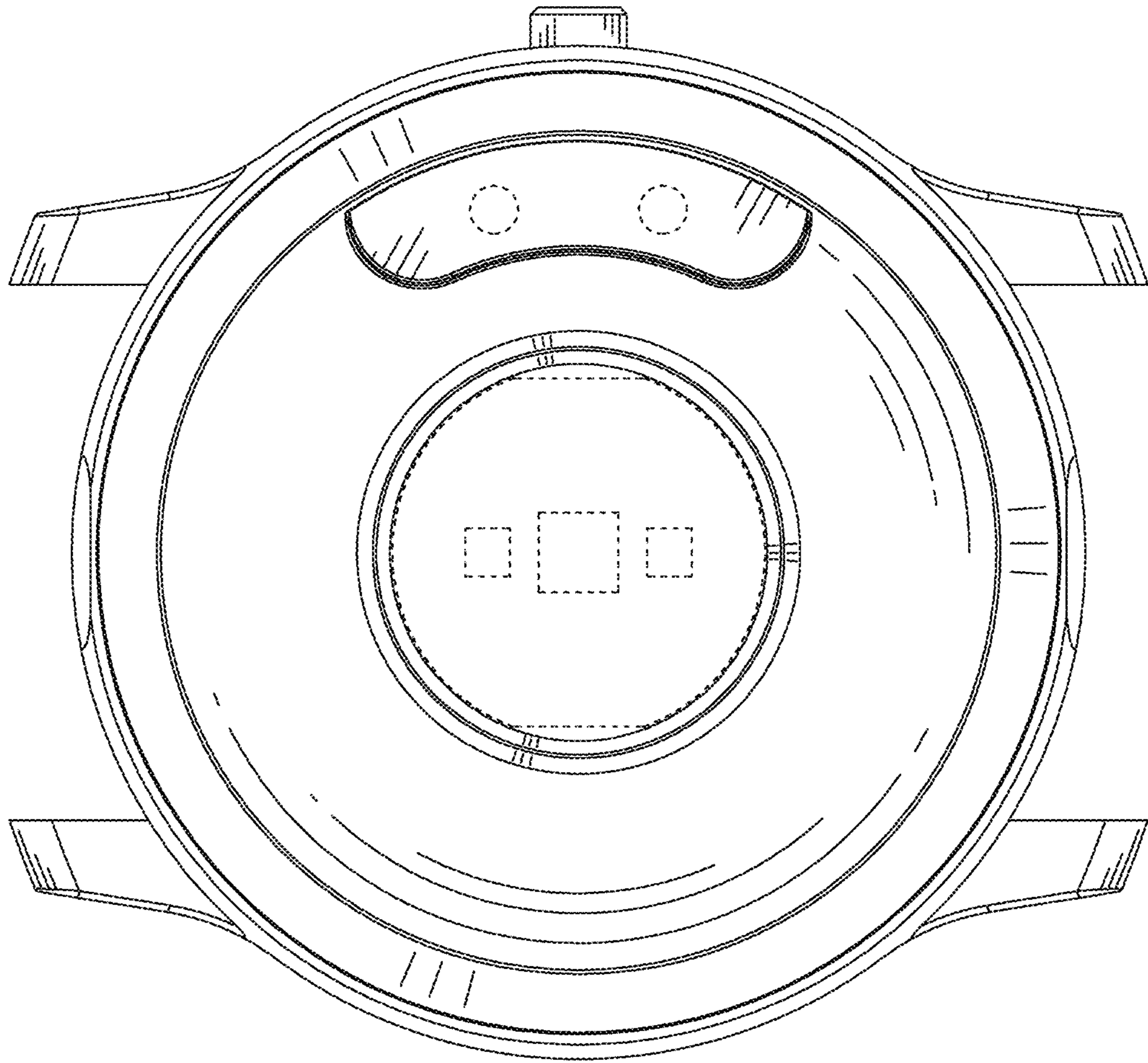


FIG. 4

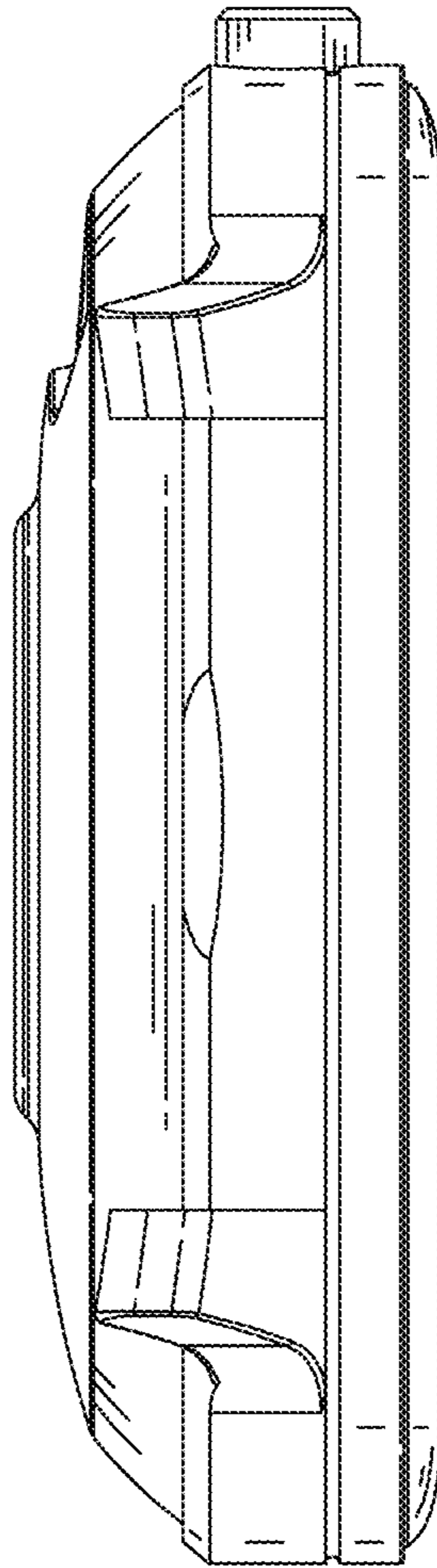


FIG. 5

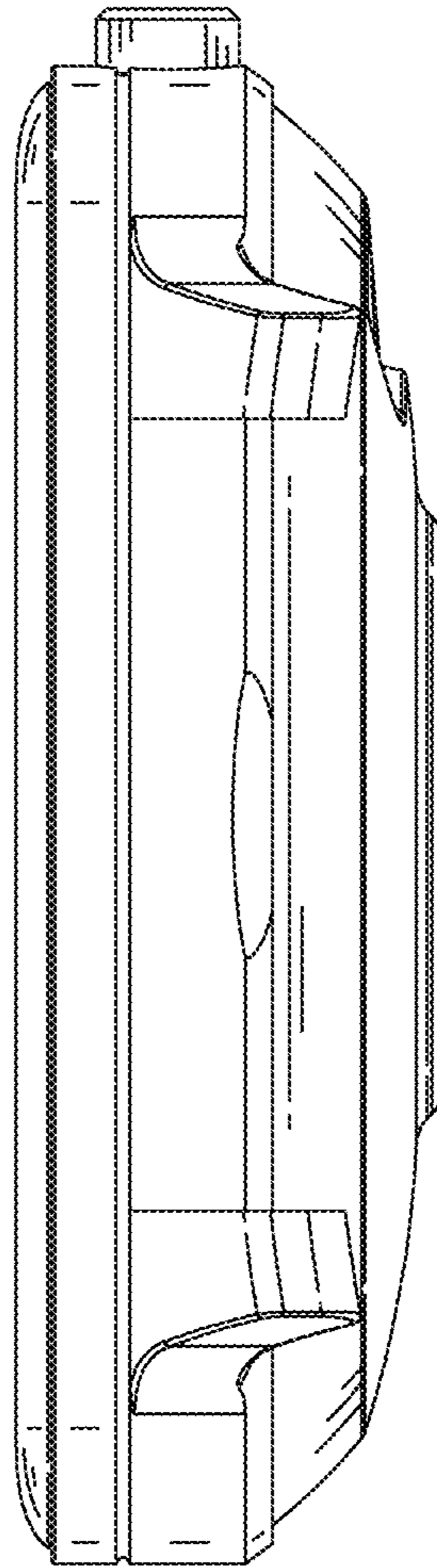


FIG. 6

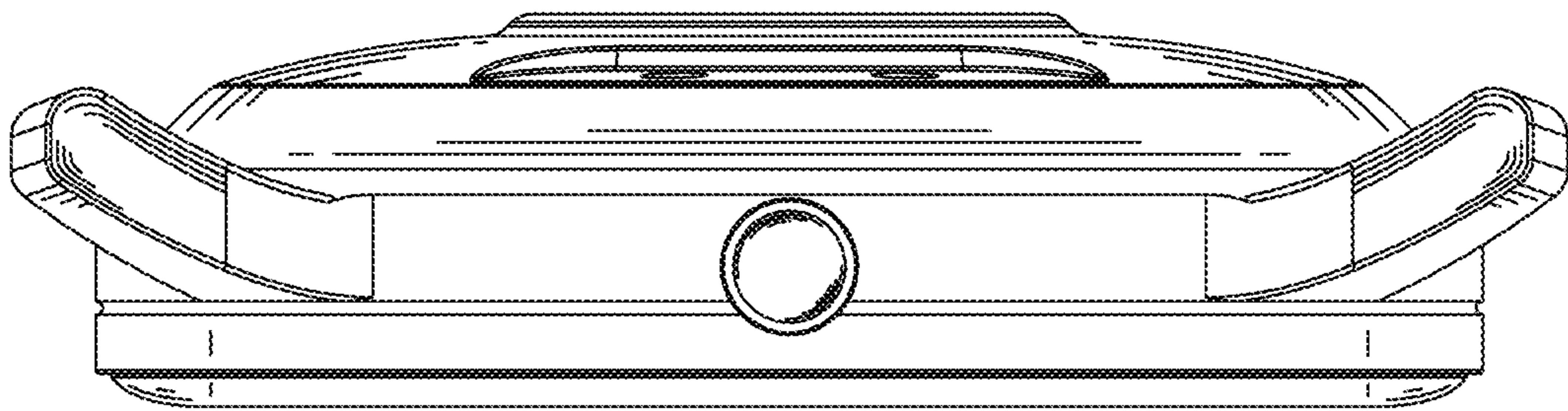


FIG. 7

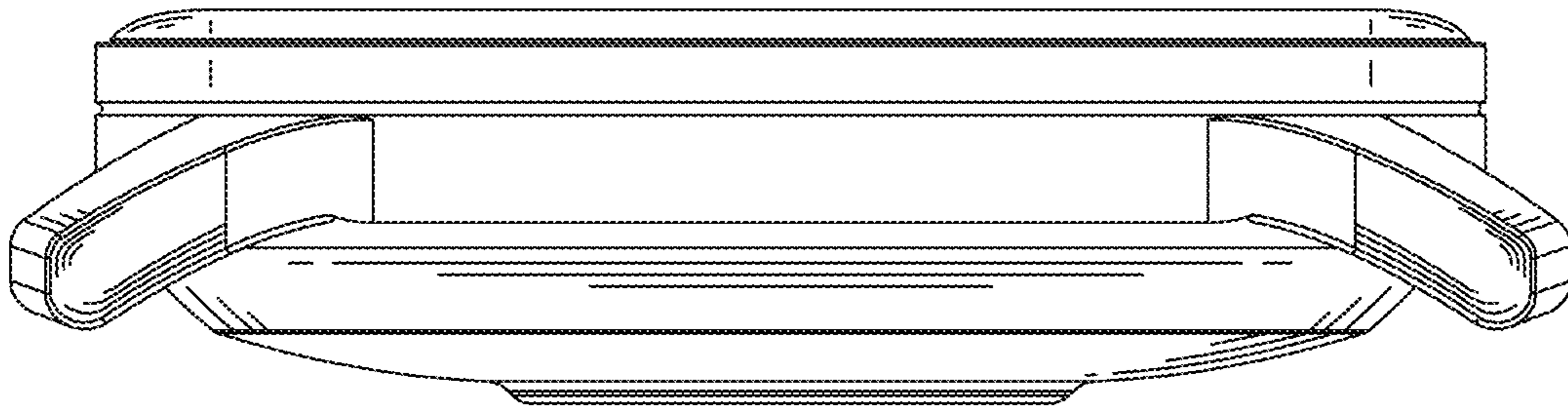


FIG. 8