



US00D881873S

(12) **United States Design Patent**  
**Li et al.**

(10) **Patent No.:** **US D881,873 S**  
(45) **Date of Patent:** **\*\* Apr. 21, 2020**

(54) **NOTEBOOK COMPUTER**

(71) Applicant: **Acer Incorporated**, New Taipei (TW)

(72) Inventors: **Wei-Yi Li**, New Taipei (TW);  
**Pao-Ching Huang**, New Taipei (TW)

(73) Assignee: **ACER INCORPORATED**, New Taipei (TW)

(\*\*) Term: **15 Years**

(21) Appl. No.: **29/662,481**

(22) Filed: **Sep. 6, 2018**

(30) **Foreign Application Priority Data**

Apr. 30, 2018 (TW) ..... 107302414

(51) **LOC (12) Cl.** ..... **14-02**

(52) **U.S. Cl.**  
USPC ..... **D14/316**

(58) **Field of Classification Search**  
USPC ..... D14/315–328, 331, 334–335, 339–340;  
D18/1–2, 7, 11, 12.2–12.3  
CPC ..... G06F 1/166; G06F 1/1613; G06F 1/1616;  
G06F 1/1618; G06F 1/162; G06F 1/1622;  
G06F 1/1624; G06F 1/1633; G06F  
1/1615; G06F 1/1643; G06F 1/1654;  
G06F 1/1669; G06F 1/203; G06F 1/1688  
See application file for complete search history.

(56) **References Cited**

**U.S. PATENT DOCUMENTS**

- 5,255,214 A \* 10/1993 Ma ..... F16M 11/10  
361/679.06
- 6,384,811 B1 \* 5/2002 Kung ..... G06F 1/162  
345/168
- D517,541 S \* 3/2006 Maskatia ..... D14/318
- D519,500 S \* 4/2006 Maskatia ..... D14/318
- D621,826 S \* 8/2010 Cheng ..... D14/327
- D621,827 S \* 8/2010 Cheng ..... D14/327

- D626,547 S \* 11/2010 Li ..... D14/316
- D673,556 S \* 1/2013 Tseng ..... D14/315
- D691,603 S \* 10/2013 Leonard ..... D14/316
- D732,523 S \* 6/2015 Riddiford ..... D14/315
- D762,639 S \* 8/2016 Montoya ..... D14/316
- D768,621 S \* 10/2016 Park ..... D14/315

(Continued)

**OTHER PUBLICATIONS**

Hachman, Mark, Acer's swivel-display Predator Triton 900 will include Nvidia's mobile RTX graphics, posted at PCWorld, posting date Jan. 6, 2019. Site visited Oct. 25, 2019. URL: <<https://www.pcworld.com/article/3331360/acer-predator-triton-900-nvidia-mobile-rtx-graphics.html>> (Year: 2019).\*

(Continued)

*Primary Examiner* — Kevin K Rudzinski

*Assistant Examiner* — Kathleen L Jones

(74) *Attorney, Agent, or Firm* — JCIPRNET

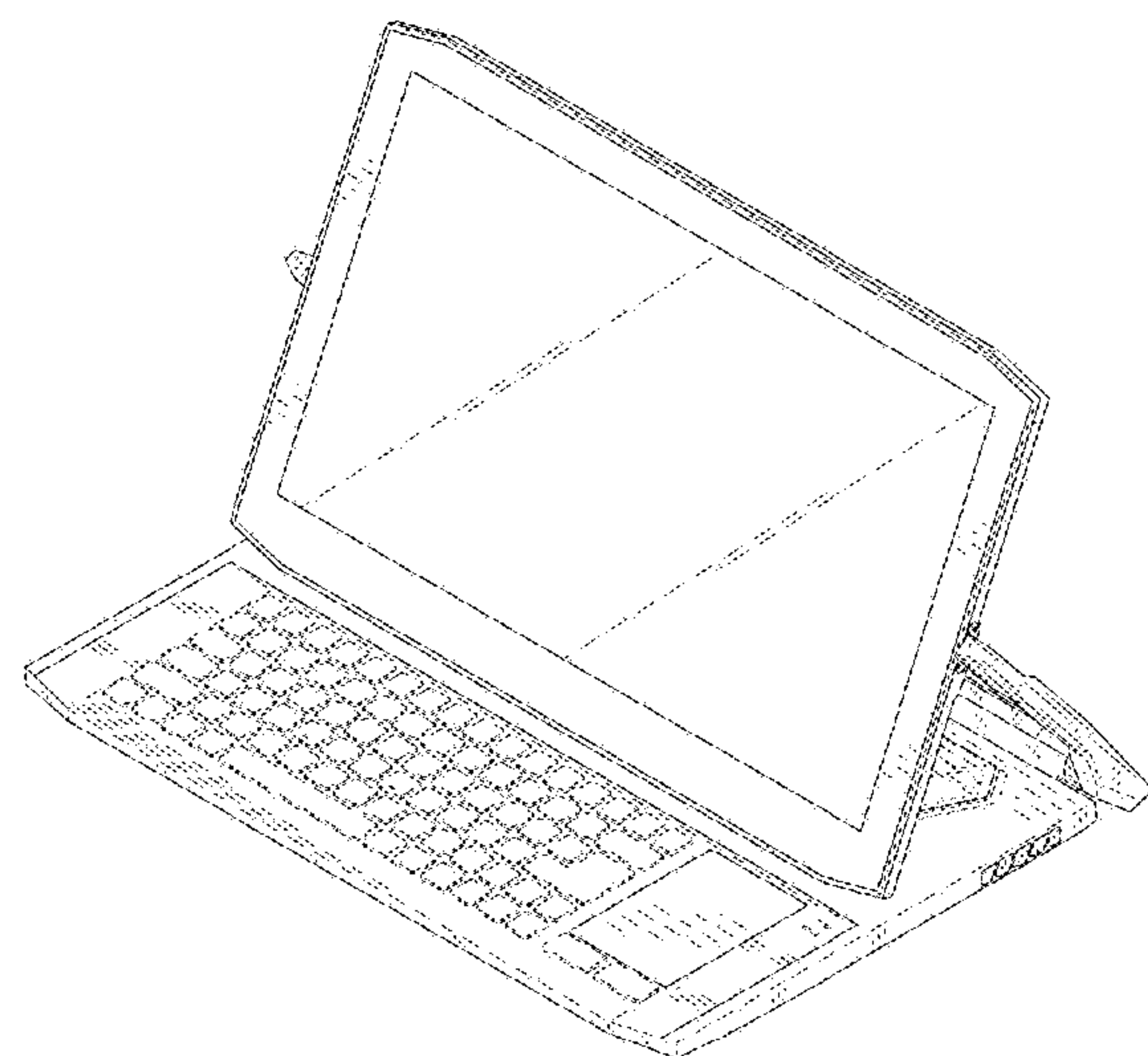
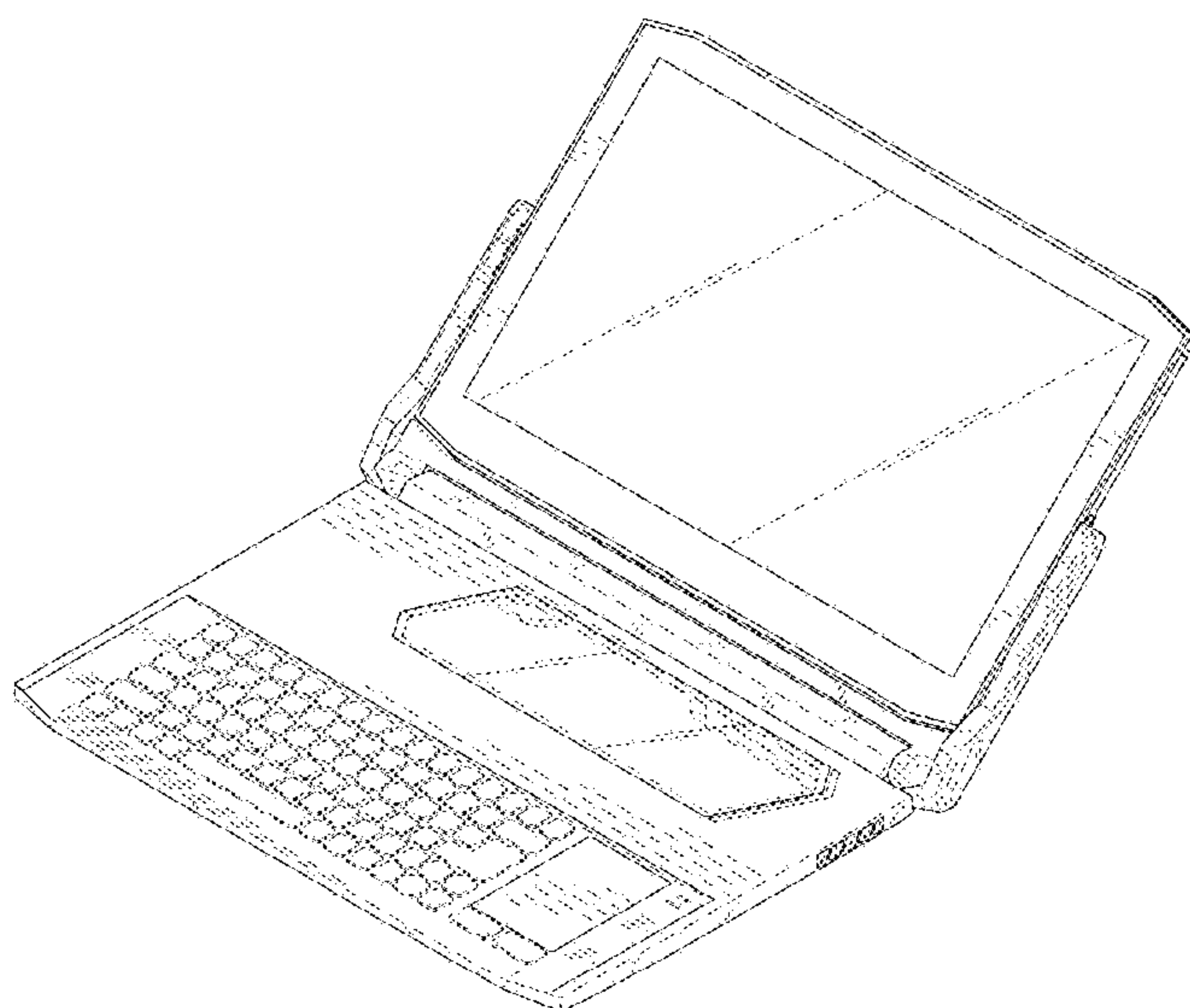
(57) **CLAIM**

The ornamental design for a notebook computer, as shown and described.

**DESCRIPTION**

FIG. 1 is a perspective view of a notebook computer showing our new design;  
FIG. 2 is a front view thereof;  
FIG. 3 is a rear view thereof;  
FIG. 4 is a left side view thereof;  
FIG. 5 is a right side view thereof;  
FIG. 6 is a top view thereof;  
FIG. 7 is a bottom view thereof; and,  
FIGS. 8-11 are each perspective views of the notebook computer of FIG. 1 shown in alternate positions.  
The broken line portions showing portions of the notebook computer are included for the purpose of illustrating portions of the article and form no part of the claimed design.

**1 Claim, 10 Drawing Sheets**



(56)

**References Cited**

## U.S. PATENT DOCUMENTS

D789,355 S \* 6/2017 Cebe ..... D14/315  
D820,828 S \* 6/2018 Li ..... D14/316  
D829,707 S \* 10/2018 Tin ..... D14/315  
2004/0108968 A1 \* 6/2004 Finke-Anlauff ..... G06F 1/1616  
345/1.1  
2011/0242391 A1 \* 10/2011 Senatori ..... G06F 1/1616  
348/333.01  
2013/0109371 A1 \* 5/2013 Brogan ..... G06F 1/1626  
455/420

## OTHER PUBLICATIONS

Purcell, Kevin, Acer Aspire R13 Convertible Windows Notebook Review, posted at Notebooks, posting date May 9, 2015. Site visited Oct. 25, 2019. URL: <<https://notebooks.com/2015/05/09/acer-aspire-r13-convertible-windows-notebook-review/>> (Year: 2015).\*

Cohn, David, Divide and Conquer: Review of the HP ZBook x2 with DreamColor, posted at Digital Engineering 24/7, posting date Jul. 1, 2018. Site visited Oct. 25, 2019. URL: <<https://www.digitalengineering247.com/article/divide-and-conquer-hp-zbook-x2-with-dreamcolor/>> (Year: 2018).\*

\* cited by examiner

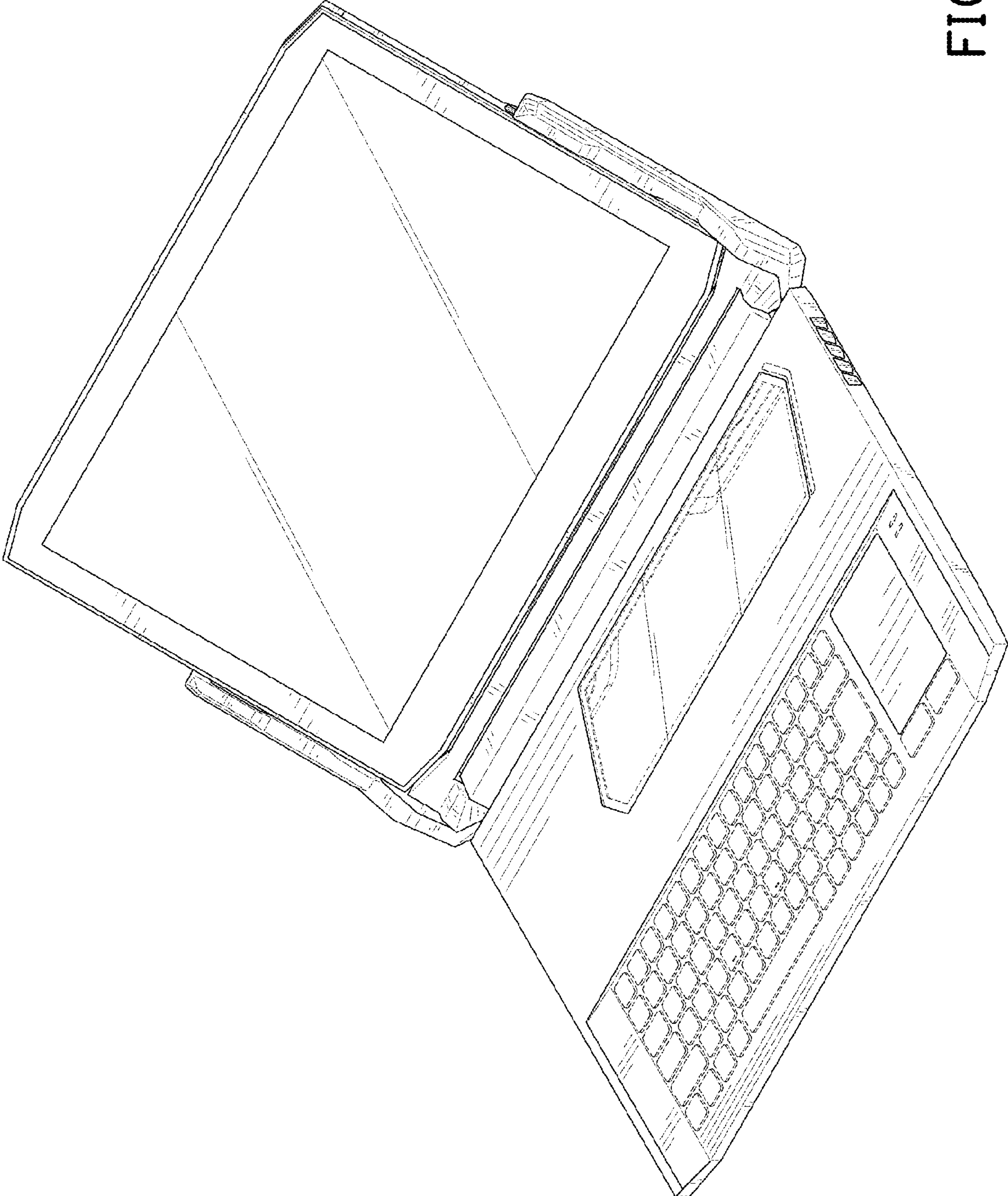


FIG. 1



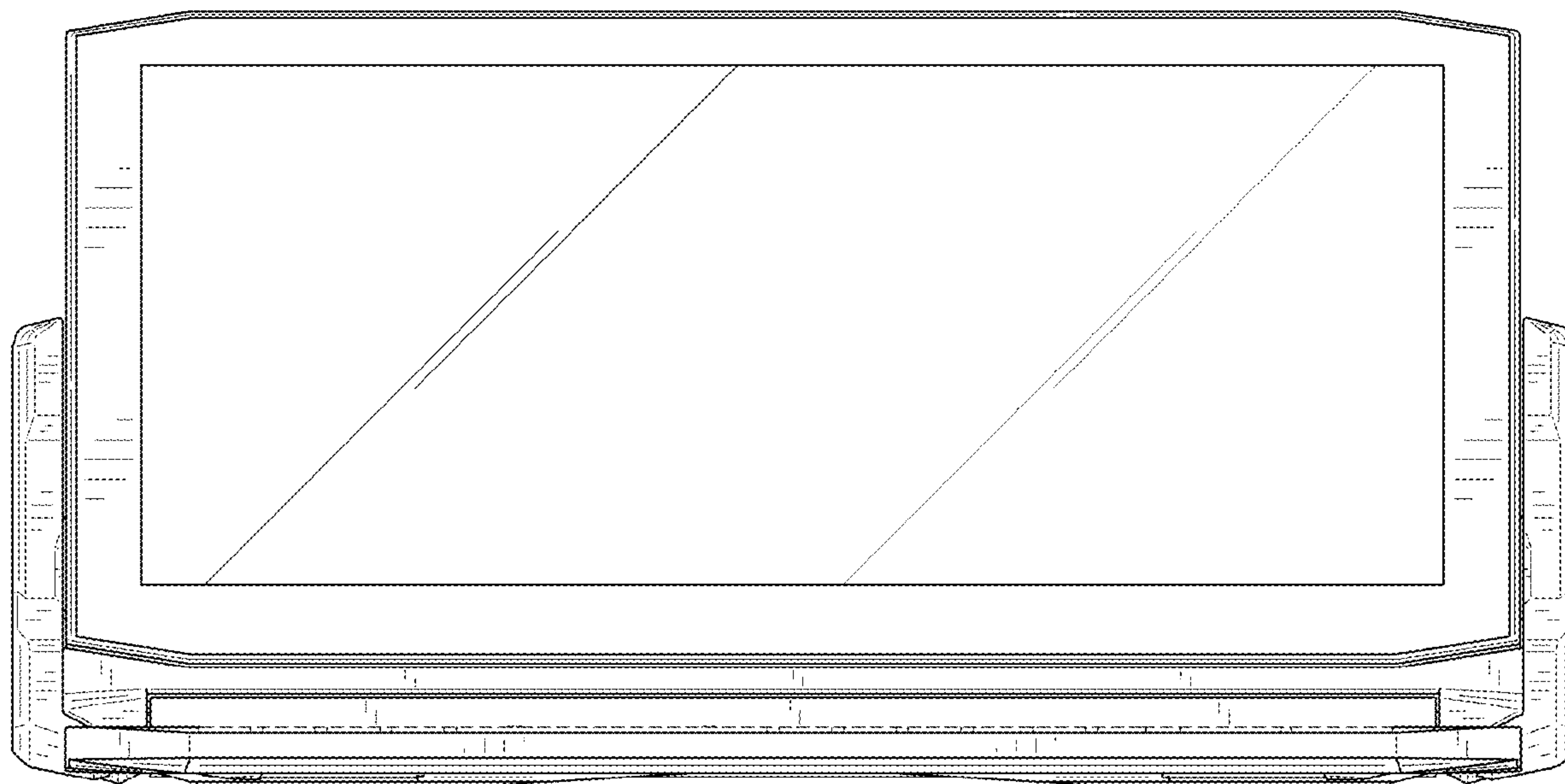


FIG. 2

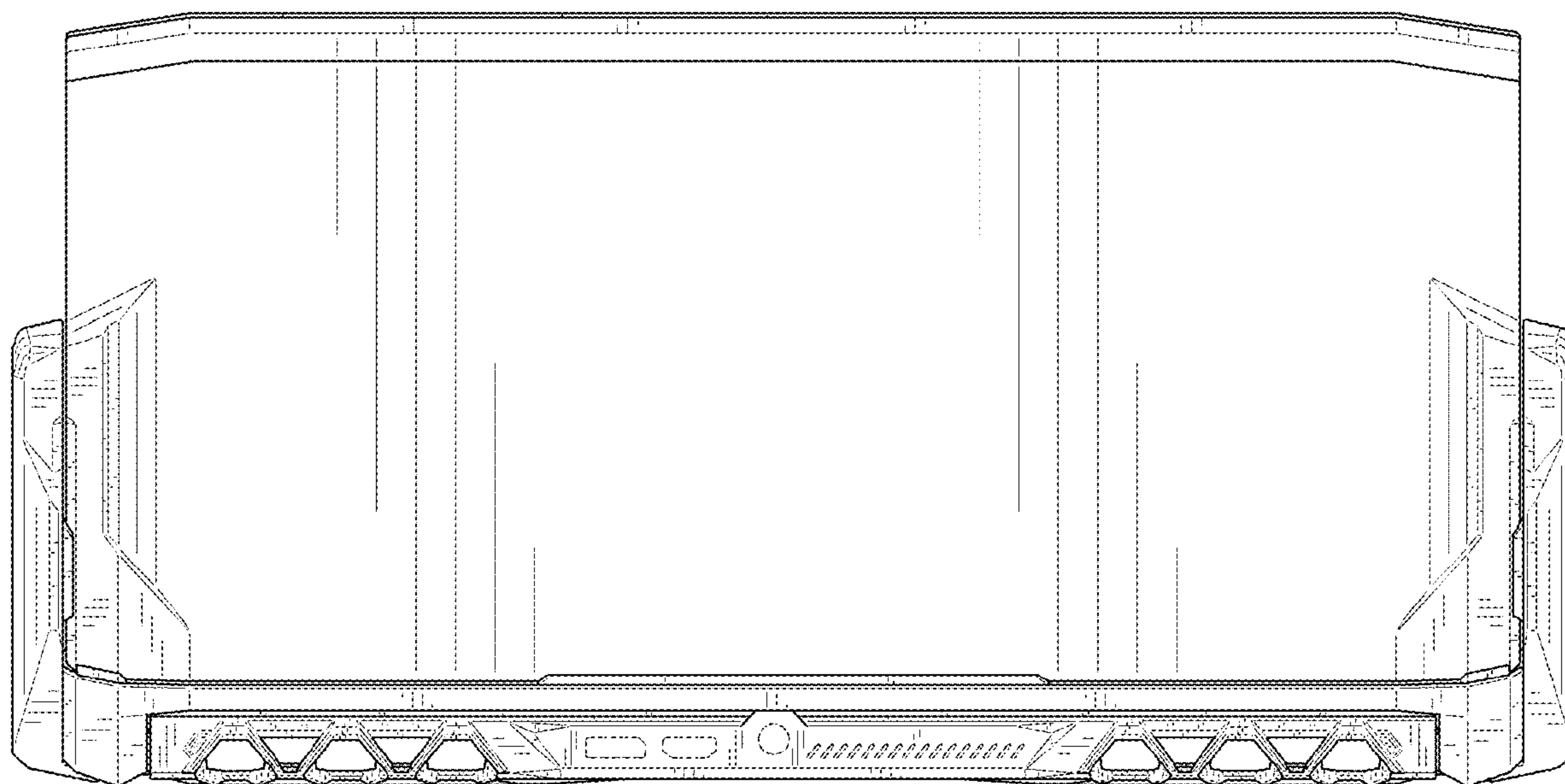


FIG. 3

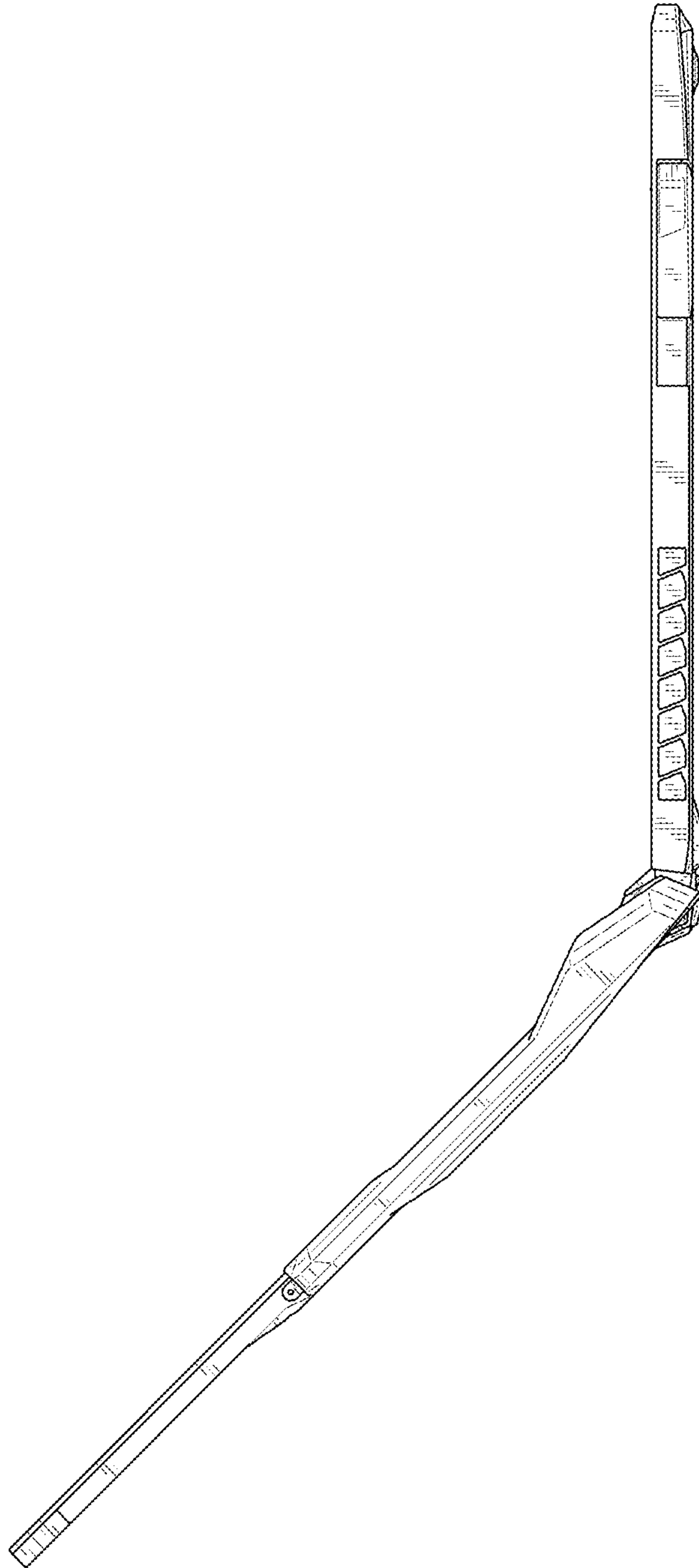


FIG. 4

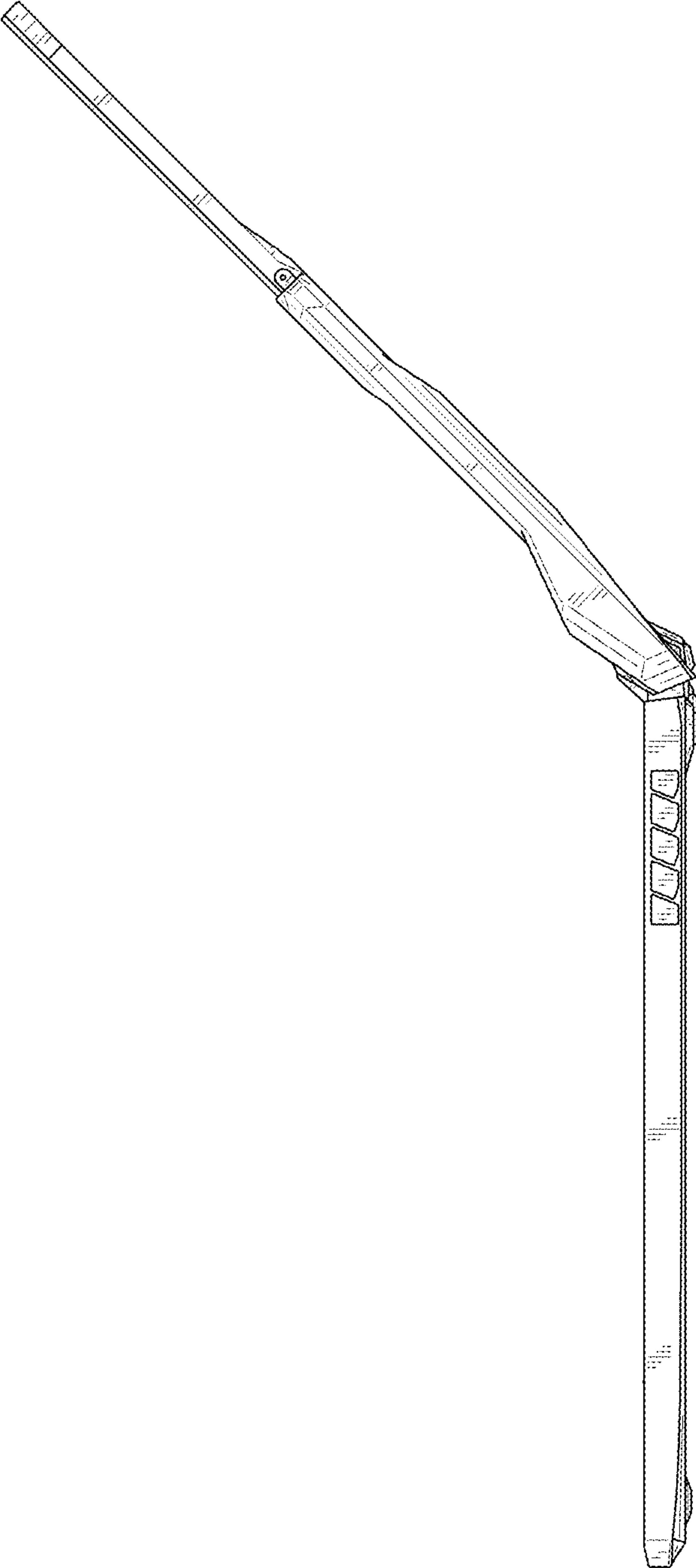


FIG. 5

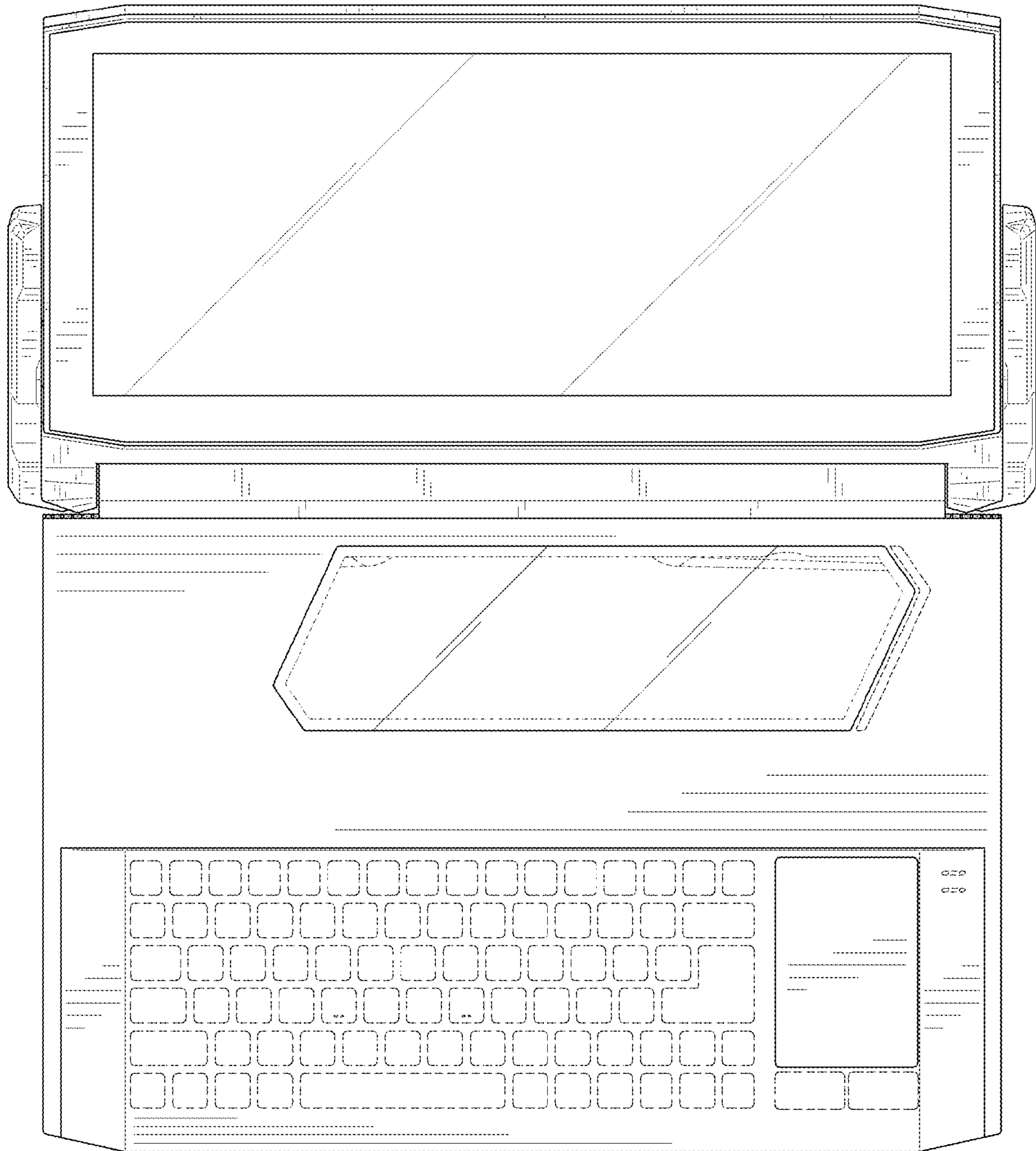


FIG. 6

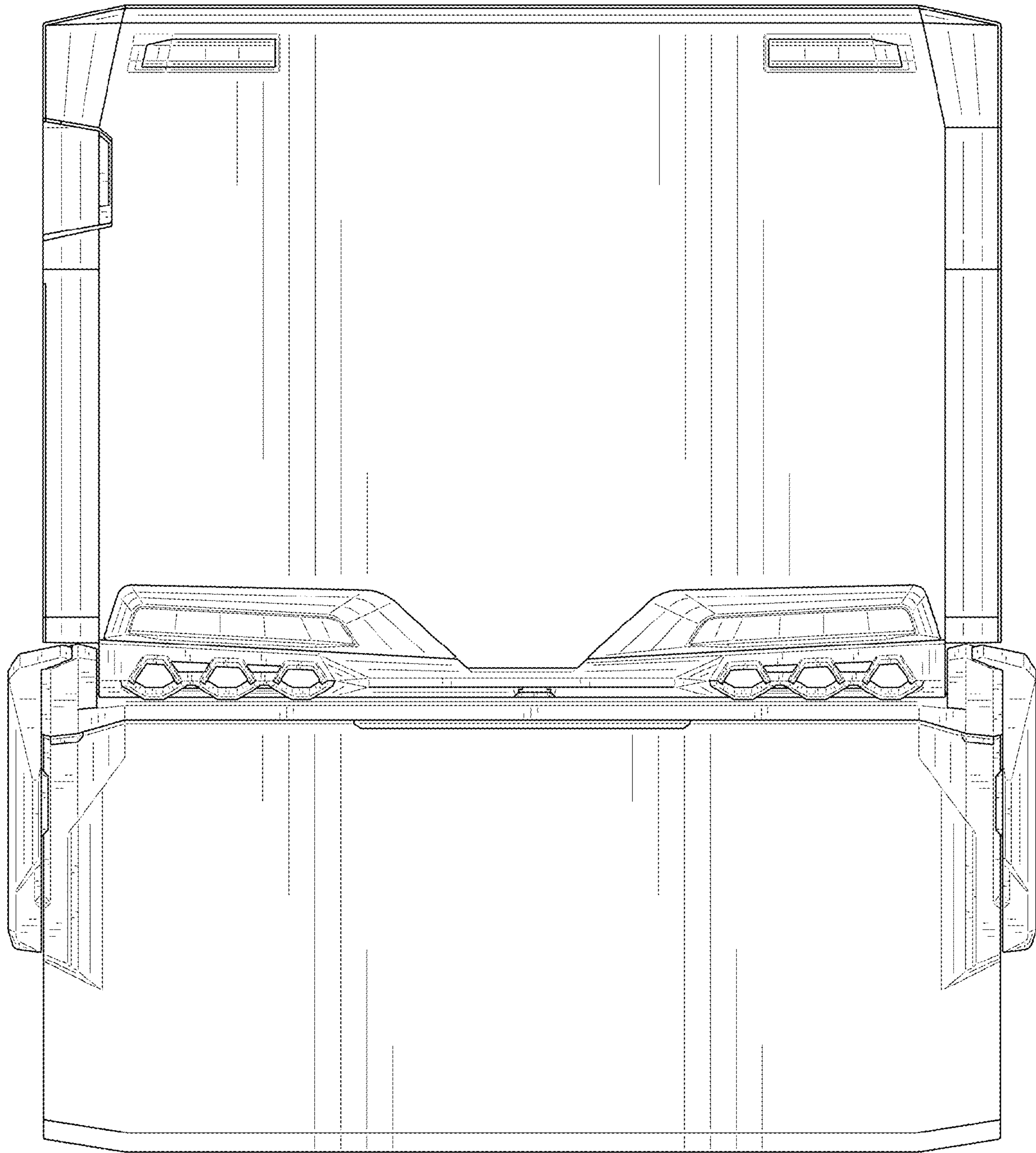


FIG. 7



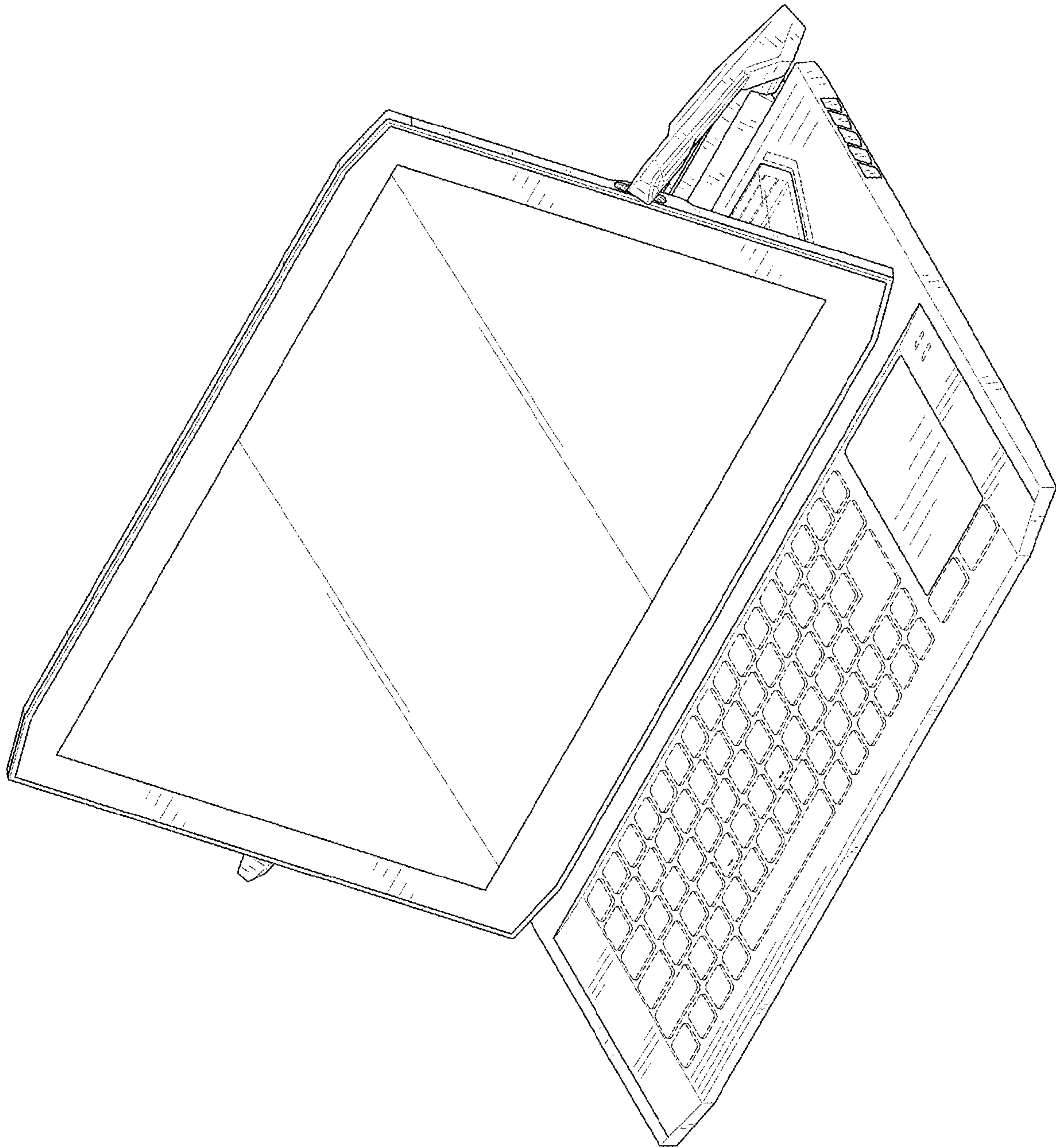


FIG. 8

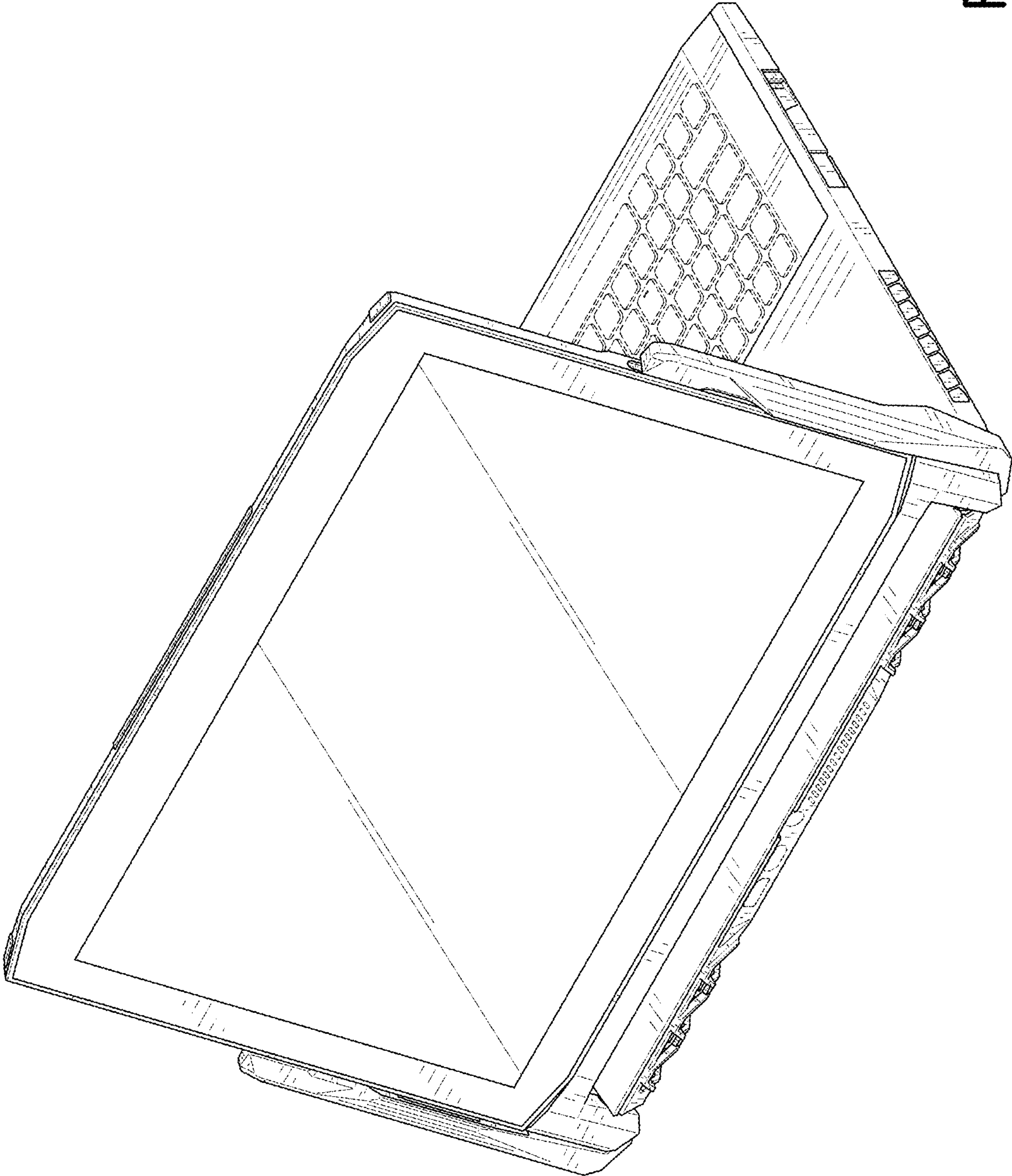
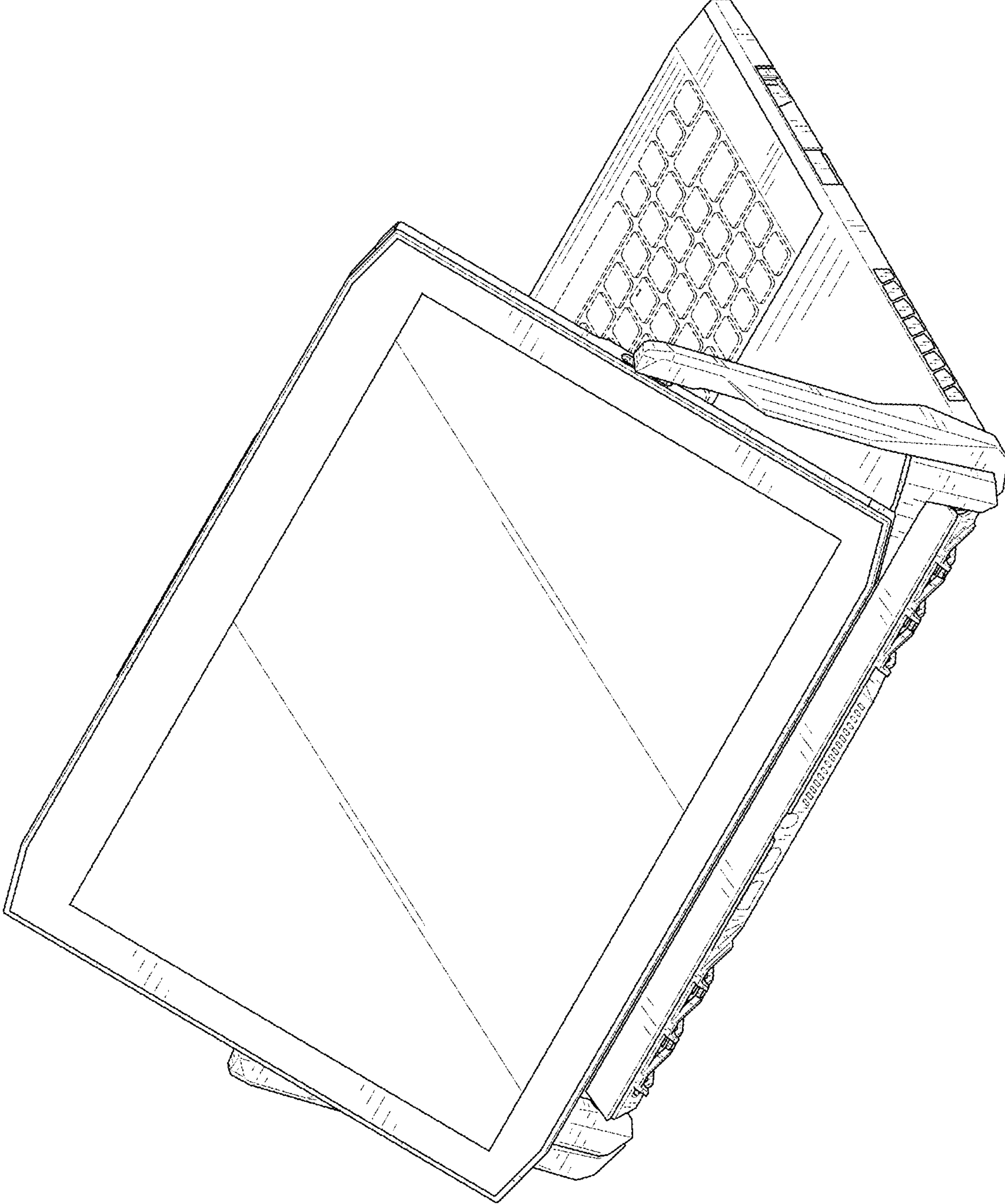


FIG. 9

FIG. 10





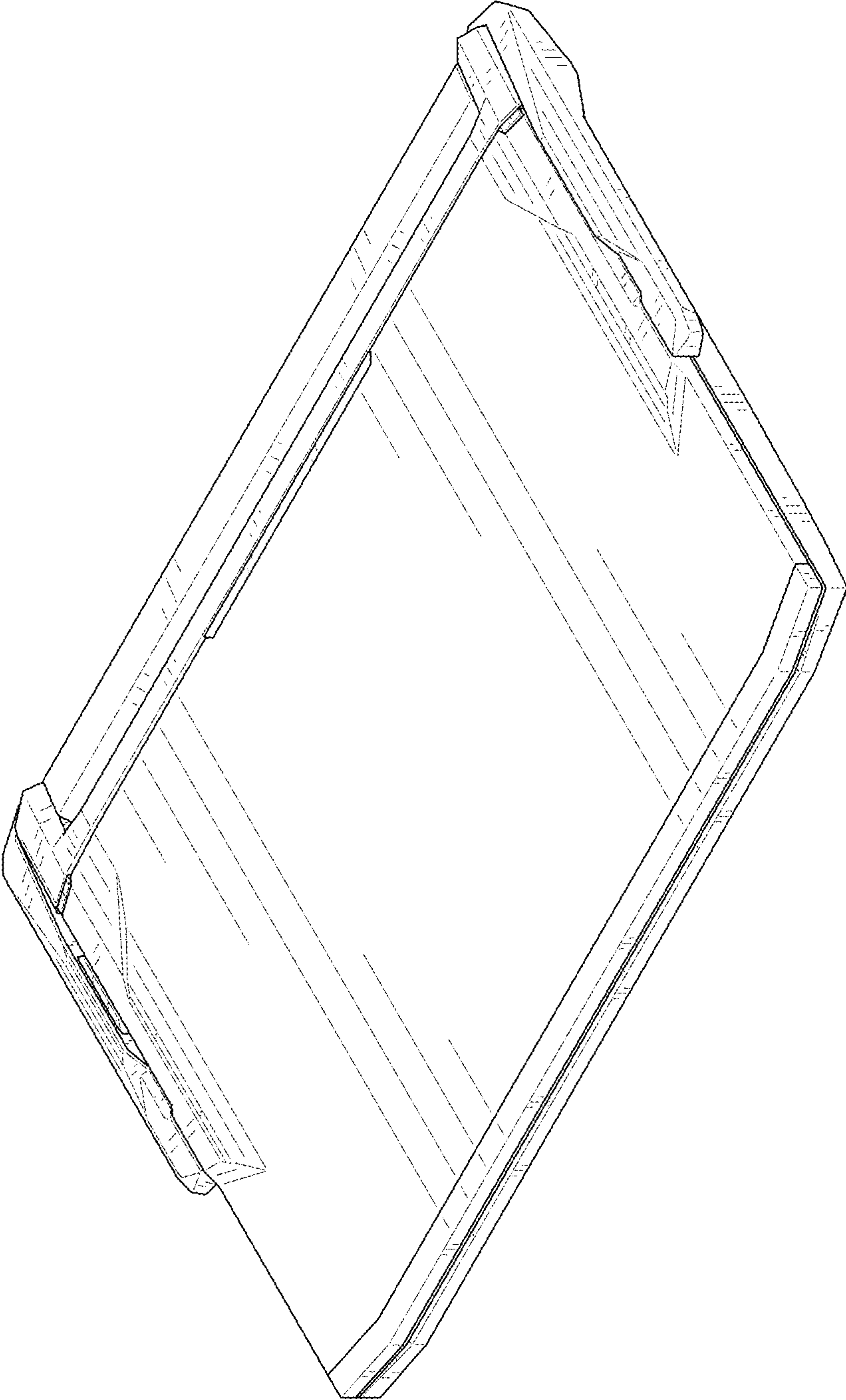


FIG. 11