



US00D881870S

(12) **United States Design Patent**
Riley

(10) **Patent No.:** **US D881,870 S**

(45) **Date of Patent:** **** Apr. 21, 2020**

- (54) **MOBILE DEVICE HOLDER**
- (71) Applicant: **Logan Riley**, Las Vegas, NV (US)
- (72) Inventor: **Logan Riley**, Las Vegas, NV (US)
- (**) Term: **15 Years**
- (21) Appl. No.: **29/717,693**
- (22) Filed: **Dec. 18, 2019**
- (51) **LOC (12) Cl.** **14-03**
- (52) **U.S. Cl.**
USPC **D14/253**; D12/416; D3/218
- (58) **Field of Classification Search**
USPC D14/250–254, 224, 224.1, 238.1, 434,
D14/447, 451–452, 483; D12/415–417,
D12/420, 400, 406; D3/218, 215, 318;
D6/315, 513; D8/367; 224/275, 545,
224/548, 552, 554–555
CPC B60R 11/00; B60R 11/02; B60R 11/0241;
B60R 11/0252; B60R 2011/0003; B60R
2011/0005; B60R 2011/0008; H04M
1/04; H04B 1/3877; A45F 2200/0516;
A45F 2200/0525; H05K 5/0204; F16M
13/02; F16M 13/022; F16M 11/04; F16M
11/041; F16M 11/14; F16M 11/22; F16B
2/12; H01F 7/0252; G03B 17/561
See application file for complete search history.

(56) **References Cited**

U.S. PATENT DOCUMENTS

D432,075 S *	10/2000	Hassett	D12/416
D477,709 S	7/2003	Natividad	
D504,564 S	5/2005	Robertson	
D519,731 S	5/2006	Andre	
D520,739 S	5/2006	Tsai	
7,857,176 B2	12/2010	Schedivy	
D644,428 S	9/2011	Feng	
D669,462 S *	10/2012	Avrahami	D14/253
D669,890 S *	10/2012	Hopkins	D14/251

8,424,825 B2	4/2013	Somuah	
8,561,863 B2 *	10/2013	LaColla	B60R 11/02 224/275
D707,443 S	6/2014	Dailey	
D713,140 S	9/2014	Krupnick	
D723,795 S	3/2015	Kalbach	
9,045,096 B2	6/2015	Procter	
D736,197 S *	8/2015	Saideh	D14/253
D748,087 S *	1/2016	Lee	D14/251
D751,284 S	3/2016	Kishimoto	
D770,171 S	11/2016	Lai	
D773,449 S	12/2016	Mellano	
D773,803 S	12/2016	Larsen	
D783,012 S *	4/2017	Lee	D14/253

(Continued)

Primary Examiner — Catherine R Oliver-Garcia
(74) *Attorney, Agent, or Firm* — QuickPatents, LLC;
Kevin Prince

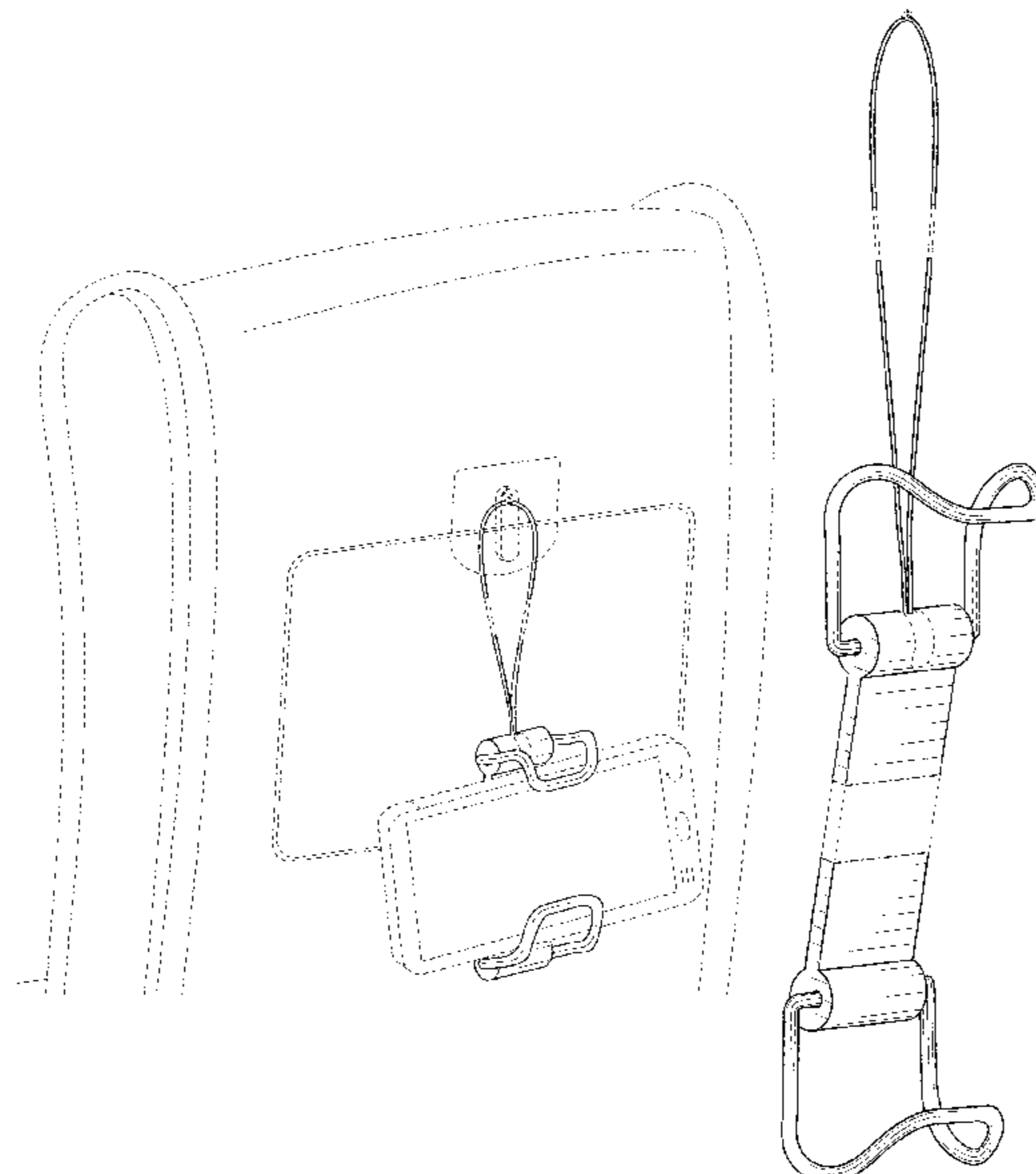
(57) **CLAIM**

The ornamental design for a mobile device holder, as shown and described.

DESCRIPTION

FIG. 1 is a perspective view of a mobile device holder, showing my new design;
 FIG. 2 is an enlarged perspective view thereof;
 FIG. 3 is a front elevational view of FIG. 2;
 FIG. 4 is a rear elevational view of FIG. 2;
 FIG. 5 is a top plan view of FIG. 2;
 FIG. 6 is a bottom plan view of FIG. 2; and,
 FIG. 7 is a left-side elevational view of FIG. 2, the right-side elevational view being a mirror image thereof.
 The broken lines showing a vehicle seat and a mobile phone in FIG. 1 depict environmental matter and form no part of the claimed design. The dot-dash type broken lines represents a boundary of the claimed designs, and the remaining broken lines represent portions of the mobile device holder that form no part of the claimed design.

1 Claim, 4 Drawing Sheets



(56)

References Cited

U.S. PATENT DOCUMENTS

9,758,248	B2	9/2017	Procter	
D818,461	S *	5/2018	Minn	D14/238.1
D821,743	S	7/2018	Cao	
D840,388	S *	2/2019	Wieth	D14/251
D847,800	S *	5/2019	Wengreen	D14/238.1
10,362,154	B2	7/2019	Rebot	
D861,334	S	10/2019	Feng	
D863,290	S	10/2019	Ormsbee	
D864,187	S *	10/2019	Vogel	D14/253
D868,054	S *	11/2019	Kim	D14/253
D870,095	S *	12/2019	Hu	D14/253
2003/0121943	A1	7/2003	Chou	
2010/0051664	A1	3/2010	Para	
2011/0278885	A1	11/2011	Procter	
2013/0048809	A1	2/2013	Jacobson	
2015/0246645	A1	9/2015	Procter	
2017/0313260	A1	11/2017	Minn	
2018/0111567	A1	4/2018	Frazier	
2019/0173985	A1	6/2019	Rebot	
2019/0263326	A1	8/2019	Yu	
2019/0390692	A1 *	12/2019	Li	H04M 1/04

* cited by examiner

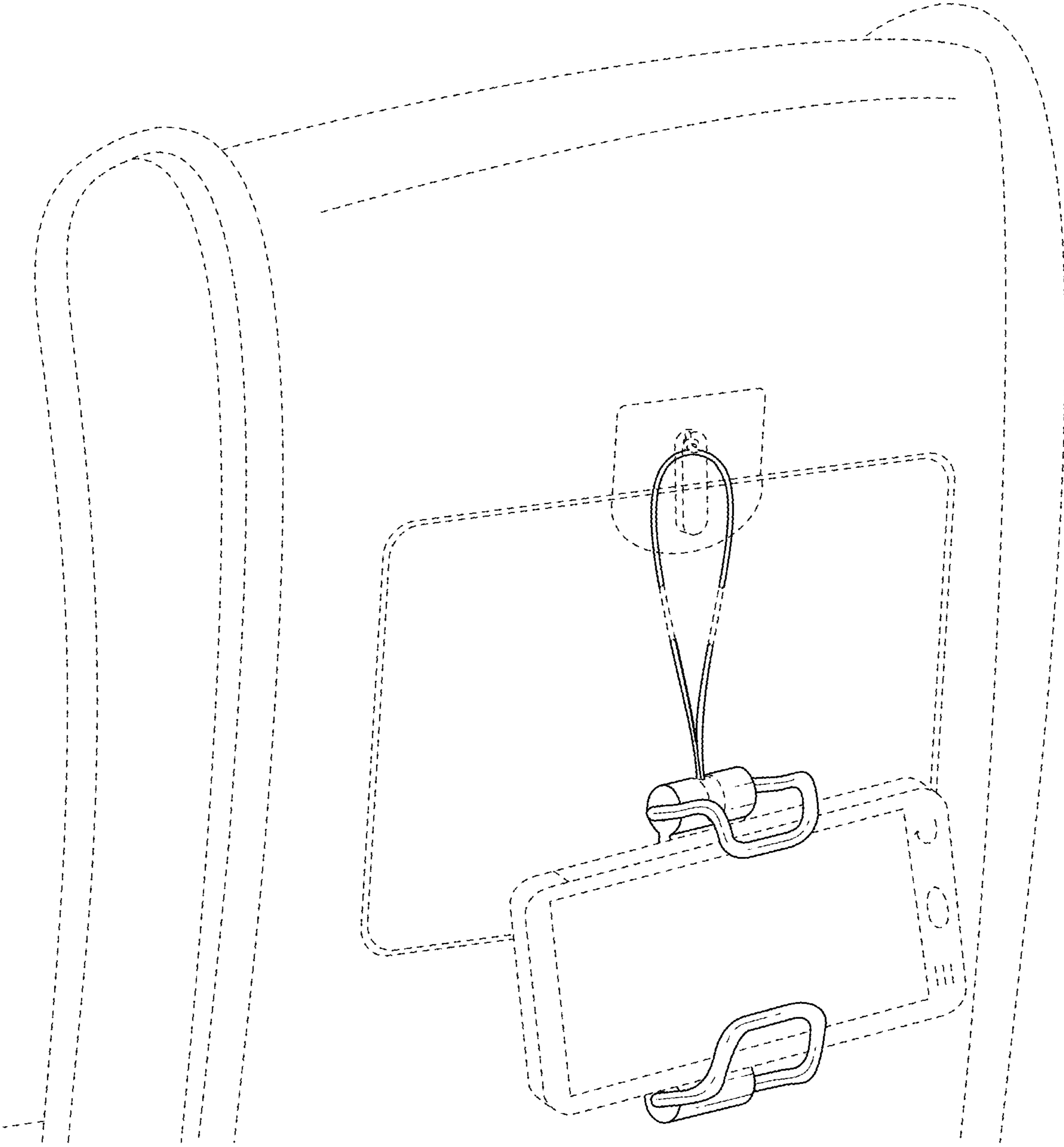


FIG. 1

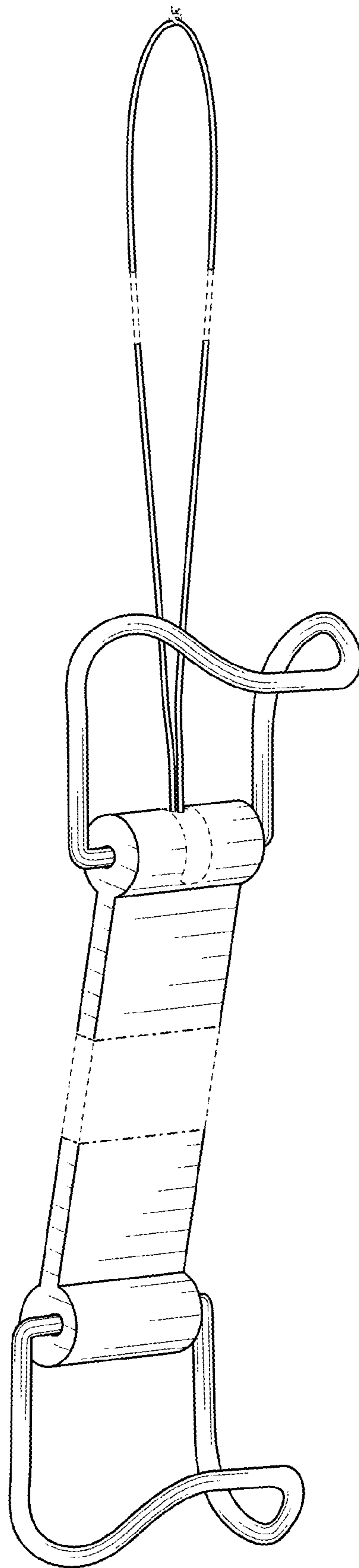


FIG. 2

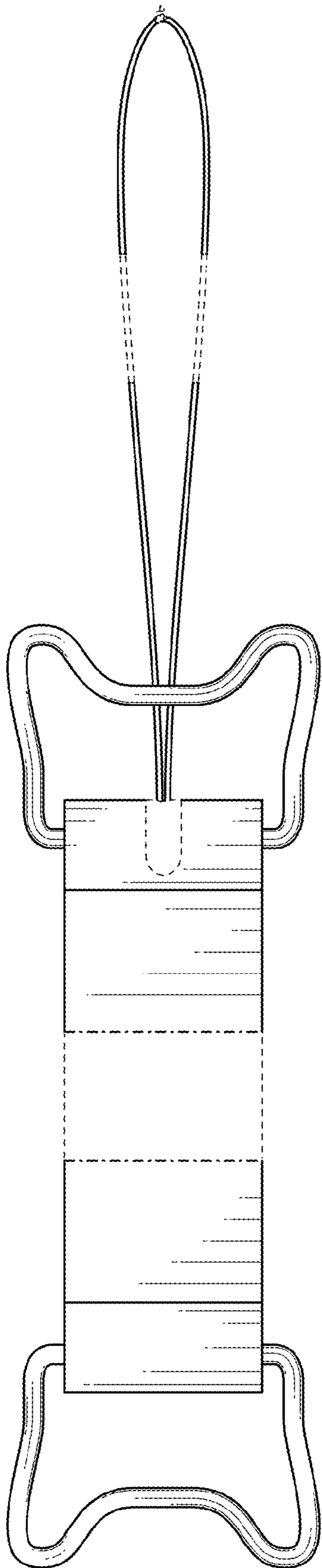


FIG. 3

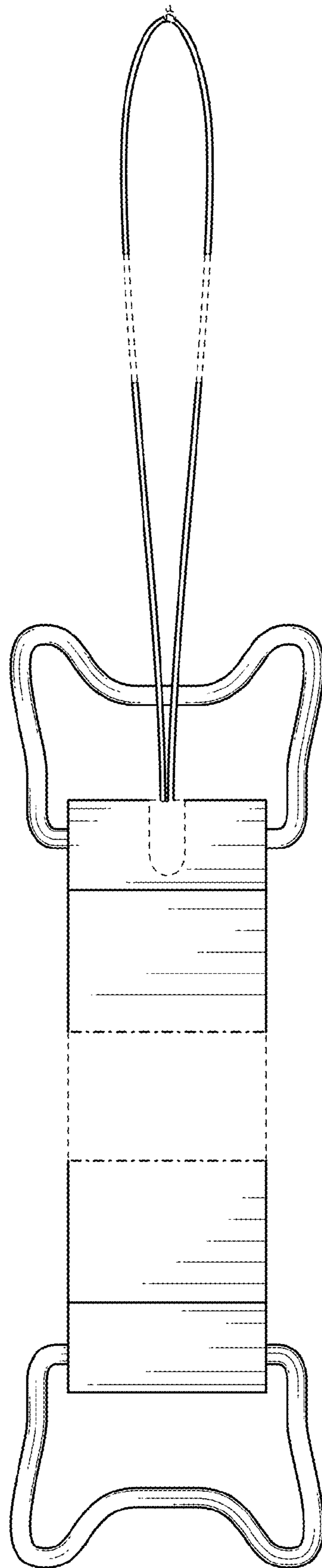


FIG. 4

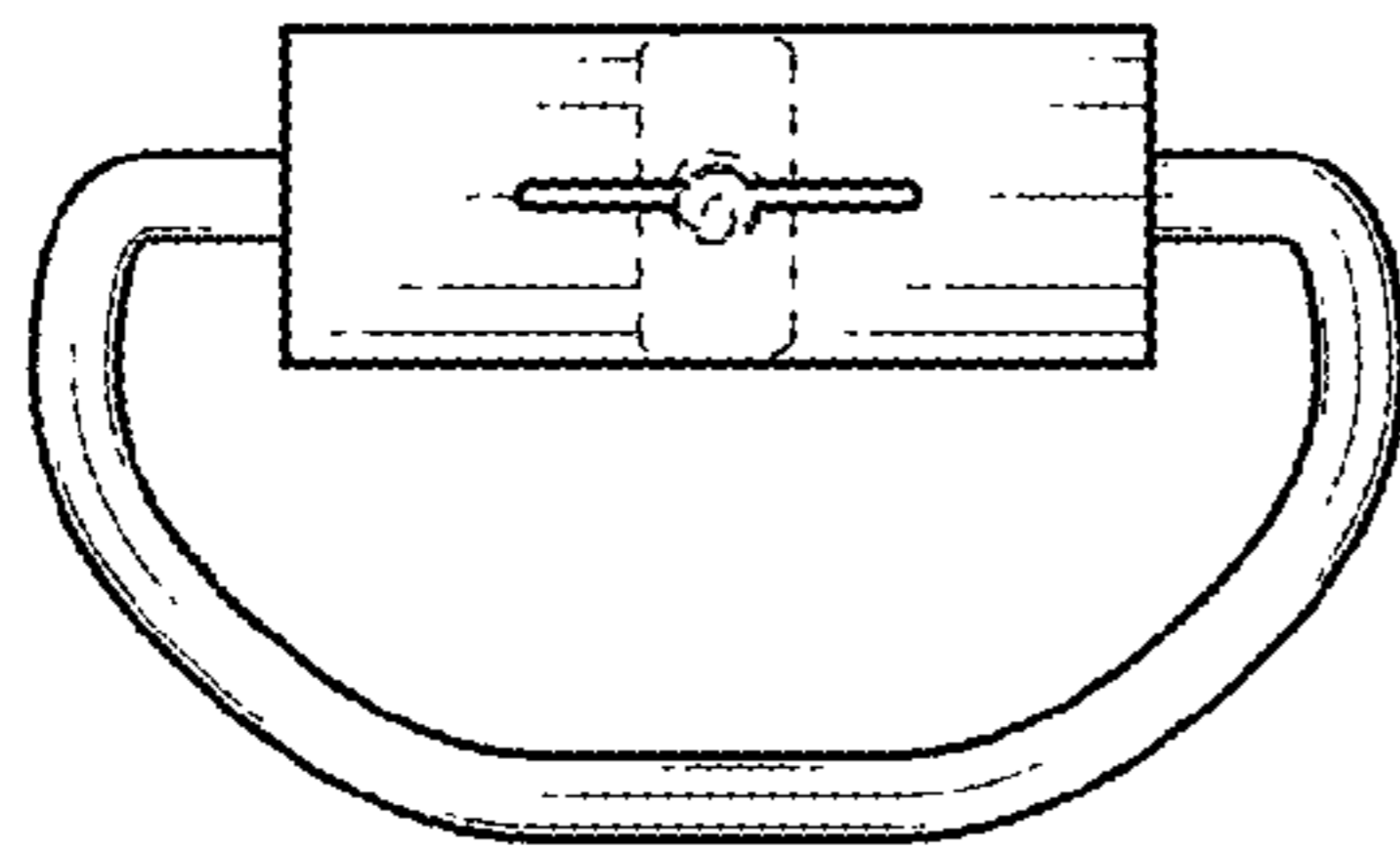


FIG. 5

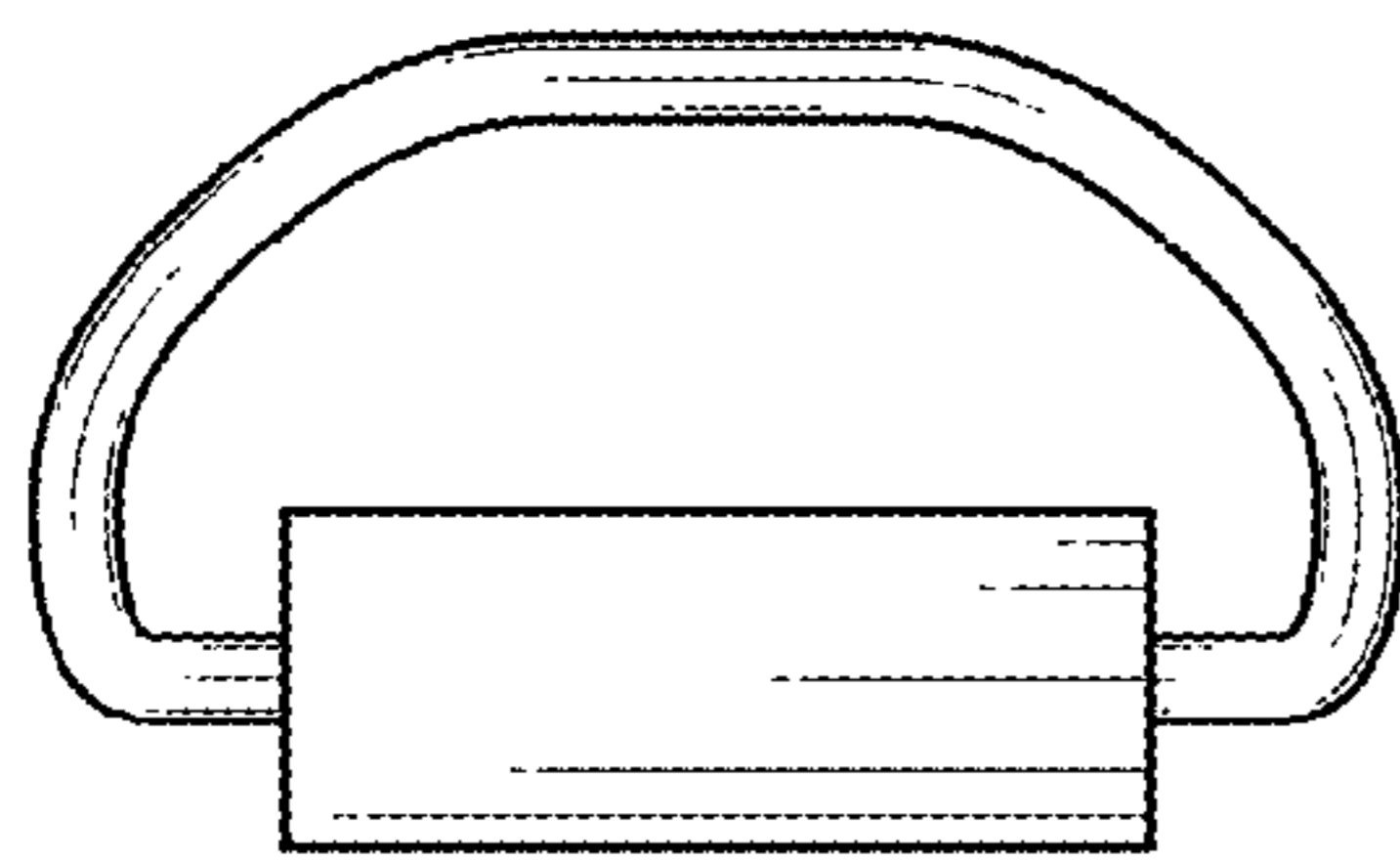


FIG. 6

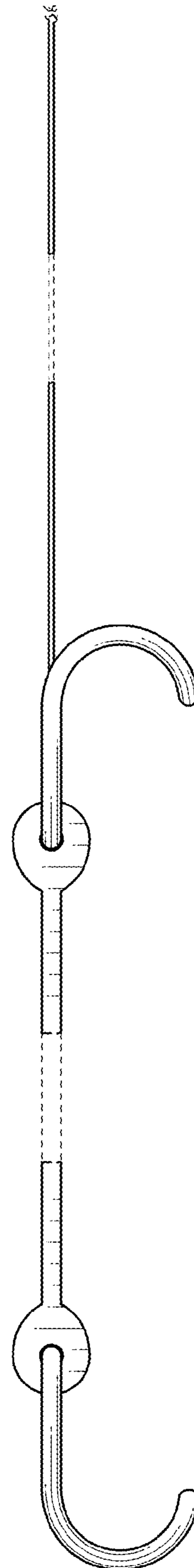


FIG. 7