



US00D881869S

(12) **United States Design Patent**  
**Pan**

(10) **Patent No.:** **US D881,869 S**

(45) **Date of Patent:** **\*\* Apr. 21, 2020**

(54) **BICYCLE MOUNT**

(71) Applicant: **SHENZHEN ZHIDAWEI TECHNOLOGY CO., LTD**, Shenzhen (CN)

(72) Inventor: **Zhi Pan**, Shenzhen (CN)

(73) Assignee: **SHENZHEN ZHIDAWEI TECHNOLOGY CO., LTD**, Shenzhen (CN)

(\*\*) Term: **15 Years**

(21) Appl. No.: **29/708,695**

(22) Filed: **Oct. 9, 2019**

(30) **Foreign Application Priority Data**

Apr. 9, 2019 (EM) ..... 006371522-0002

(51) **LOC (12) Cl.** ..... **14-03**

(52) **U.S. Cl.**  
USPC ..... **D14/253**; D12/114

(58) **Field of Classification Search**  
USPC .... D14/251-253 J, 440, 447; D12/415, 114;  
D8/354

CPC ..... F16M 13/00; F16M 2200/00  
See application file for complete search history.

(56) **References Cited**

**U.S. PATENT DOCUMENTS**

D391,222 S 2/1998 Lenox  
D722,540 S 2/2015 Brunner et al.

D765,646 S \* 9/2016 Deng ..... D12/415  
D770,171 S \* 11/2016 Lai ..... D14/253  
D799,203 S \* 10/2017 Karl, IV ..... D3/218  
D837,100 S 1/2019 Jang  
D838,266 S \* 1/2019 Ho ..... D14/253  
D860,190 S \* 9/2019 Liao ..... D14/253  
D861,668 S \* 10/2019 Ho ..... D14/253  
D863,290 S \* 10/2019 Ormsbee ..... D14/253  
D864,185 S \* 10/2019 Chen ..... D14/253  
2019/0185094 A1 \* 6/2019 Vogel ..... F16B 2/005

\* cited by examiner

*Primary Examiner* — Janice Hallmark

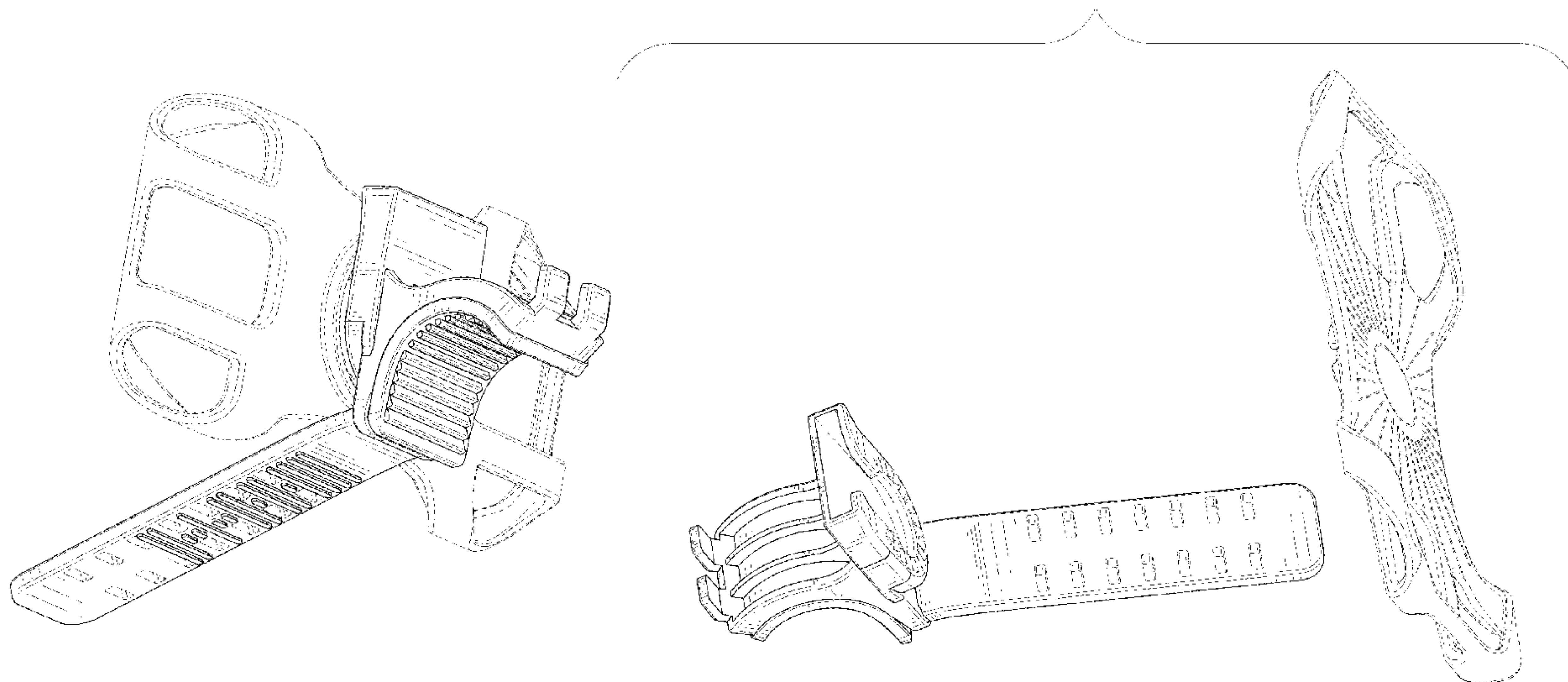
(57) **CLAIM**

The ornamental design for a bicycle mount, as shown and described.

**DESCRIPTION**

FIG. 1 is a perspective view of a bicycle mount showing my new design;  
FIG. 2 is another perspective view thereof;  
FIG. 3 is a front elevational view thereof;  
FIG. 4 is a rear elevational view thereof;  
FIG. 5 is a left side elevational view thereof;  
FIG. 6 is a right side elevational view thereof;  
FIG. 7 is a top plan view thereof;  
FIG. 8 is a bottom plan view thereof;  
FIG. 9 is a perspective view of the bicycle mount where a phone mount is separated from a bicycle mount body; and, FIG. 10 is an enlarged view of portion 10 shown in FIG. 1. The broken lines in the drawings depict portions of the bicycle mount that form no part of the claimed design.

**1 Claim, 10 Drawing Sheets**



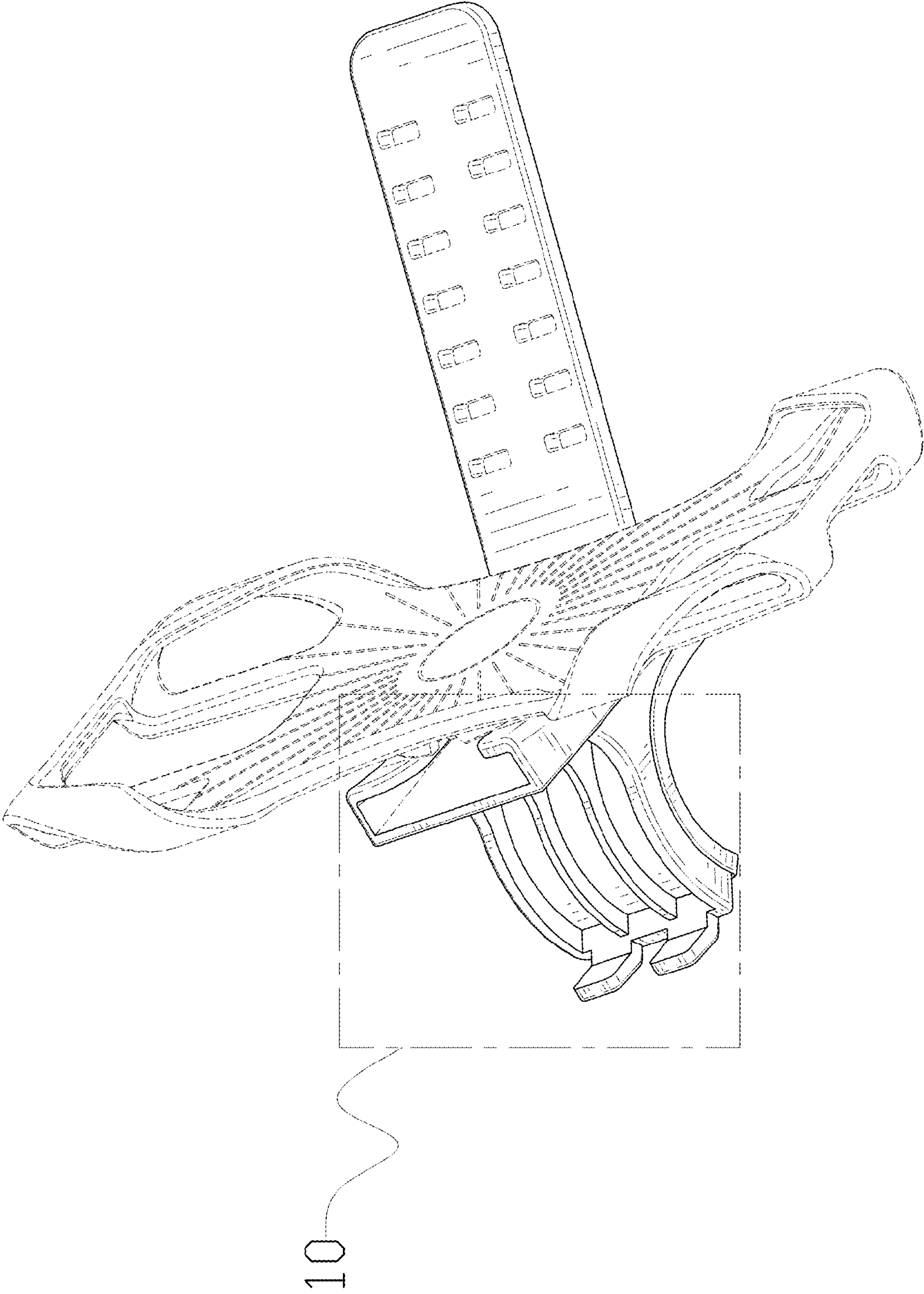


FIG. 1

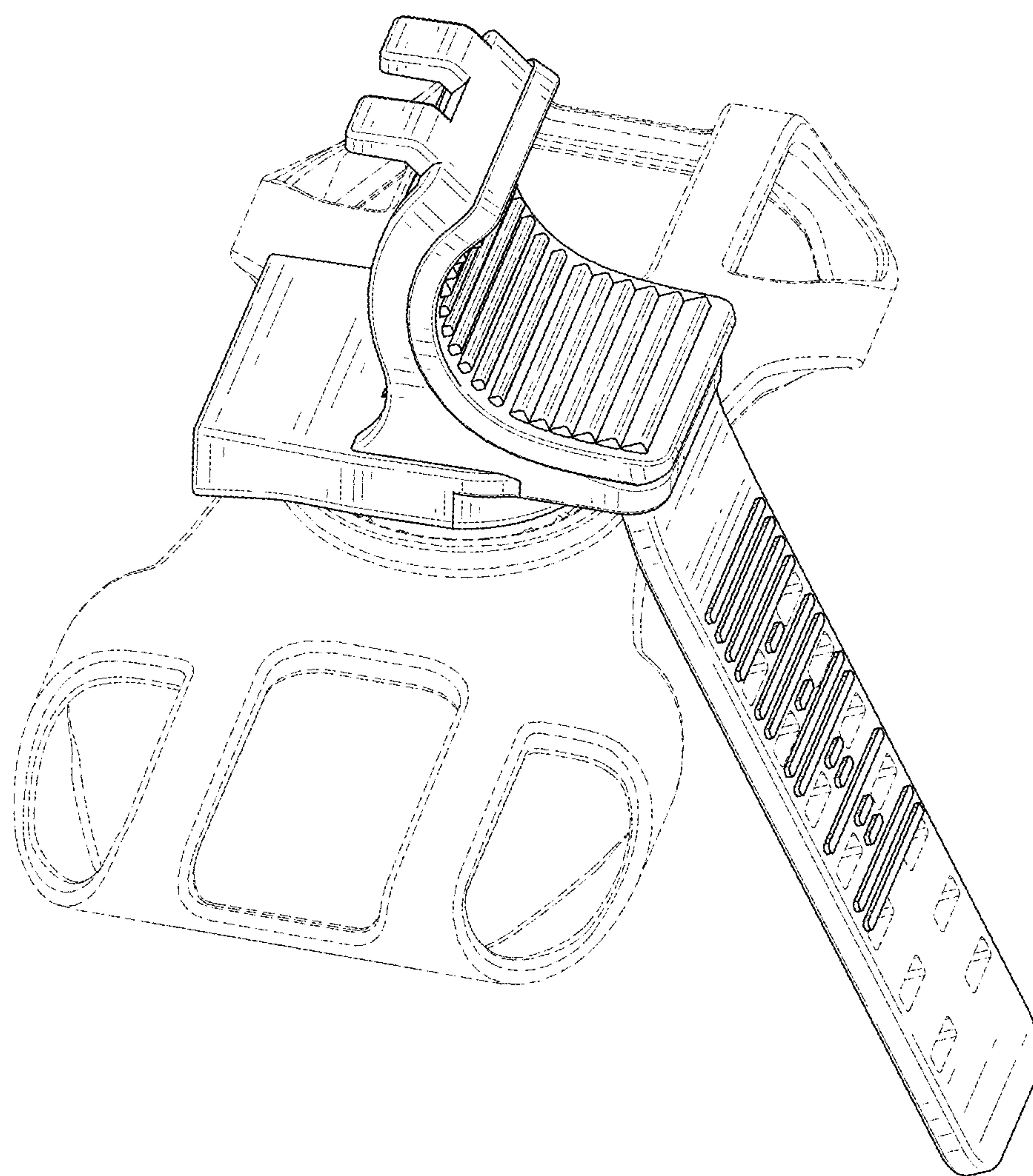


FIG. 2



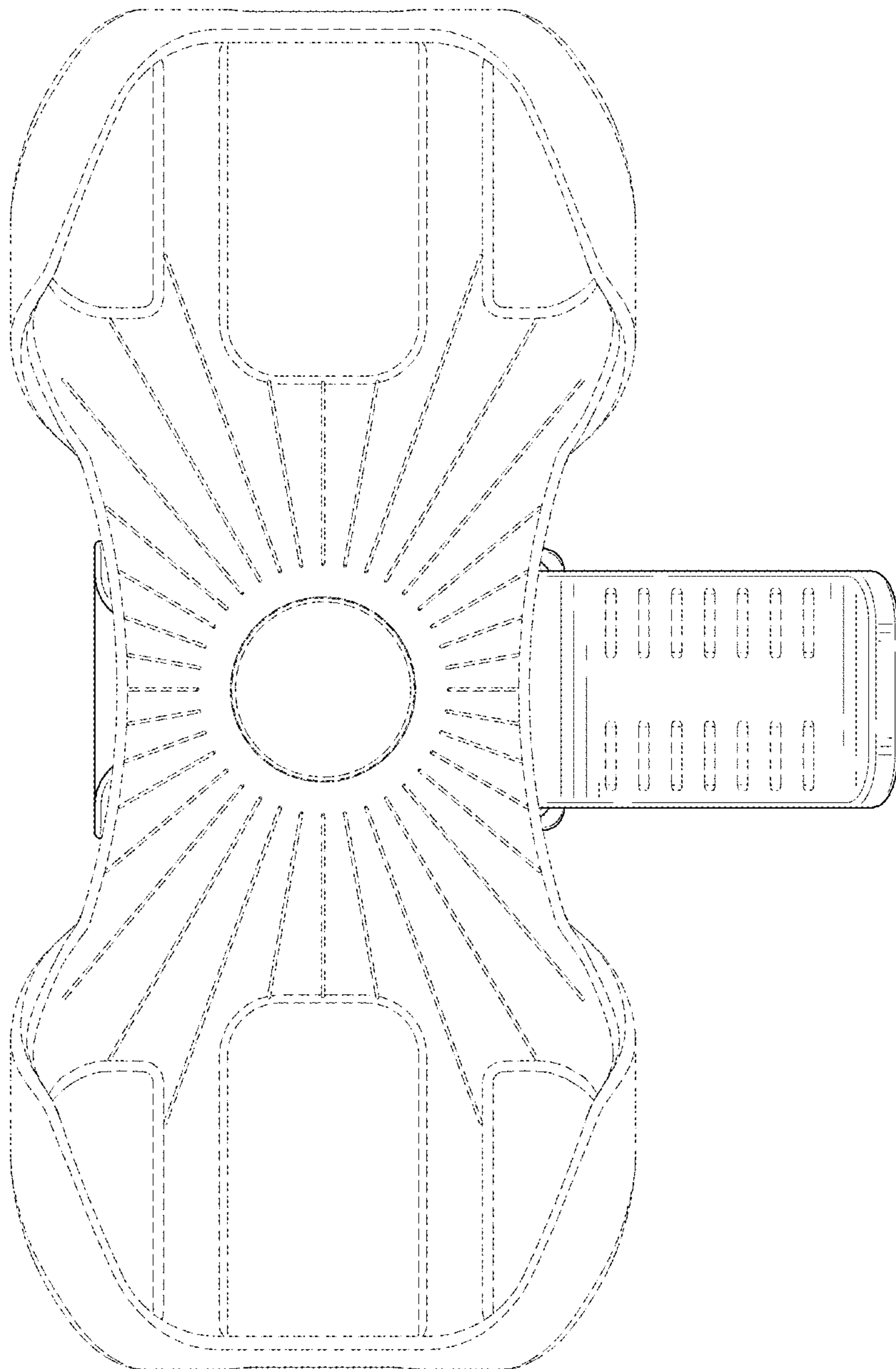


FIG. 3

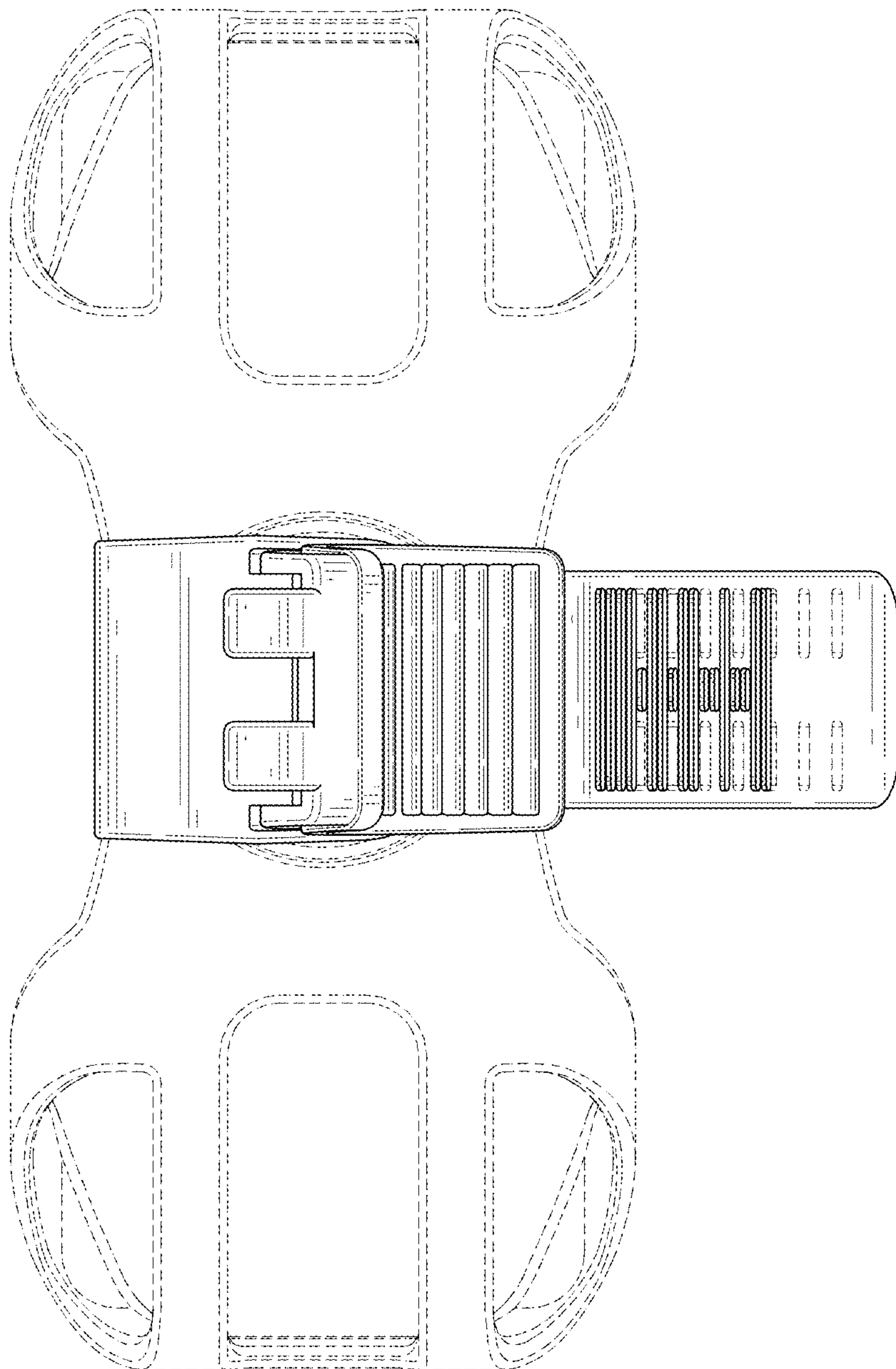


FIG. 4

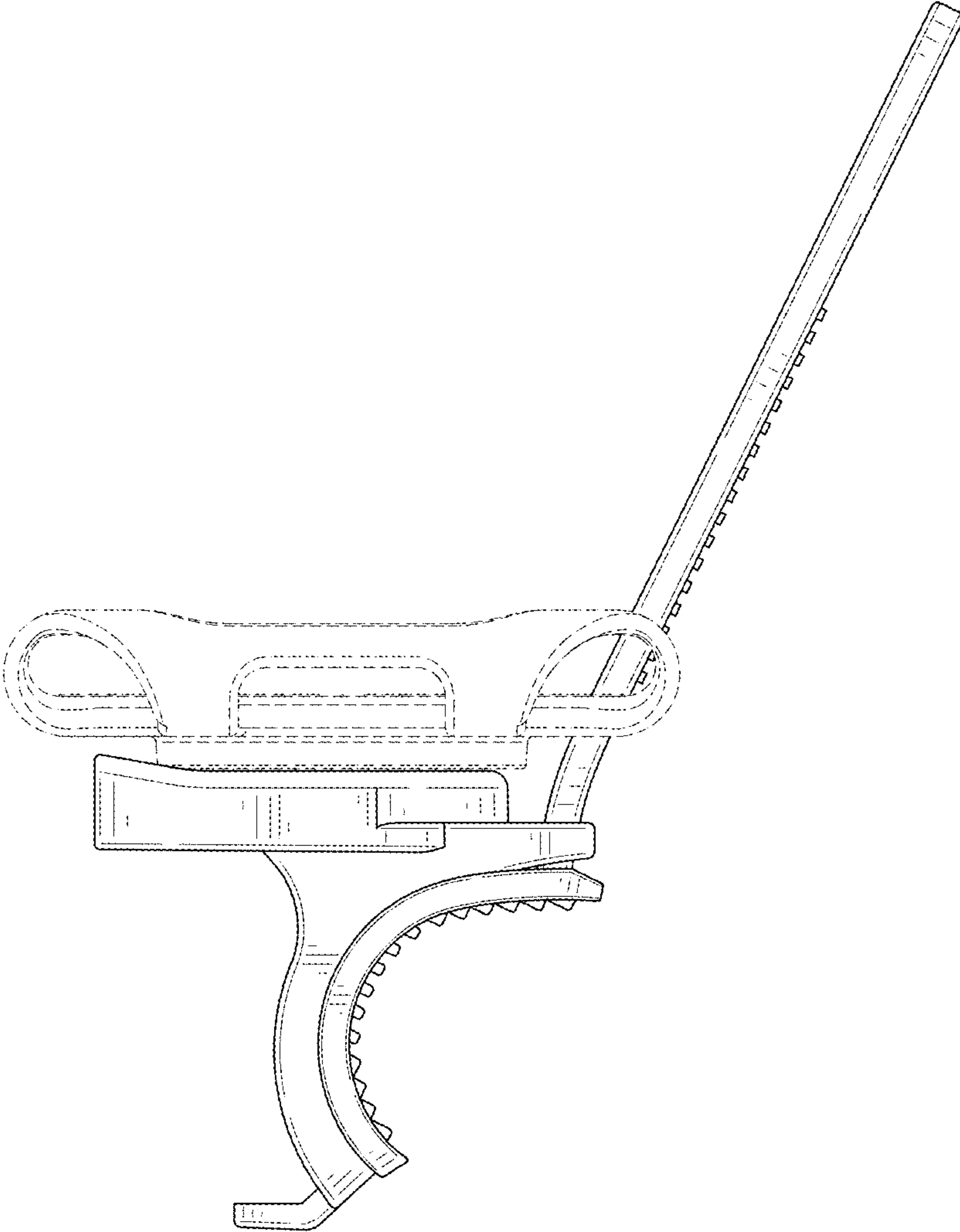


FIG. 5

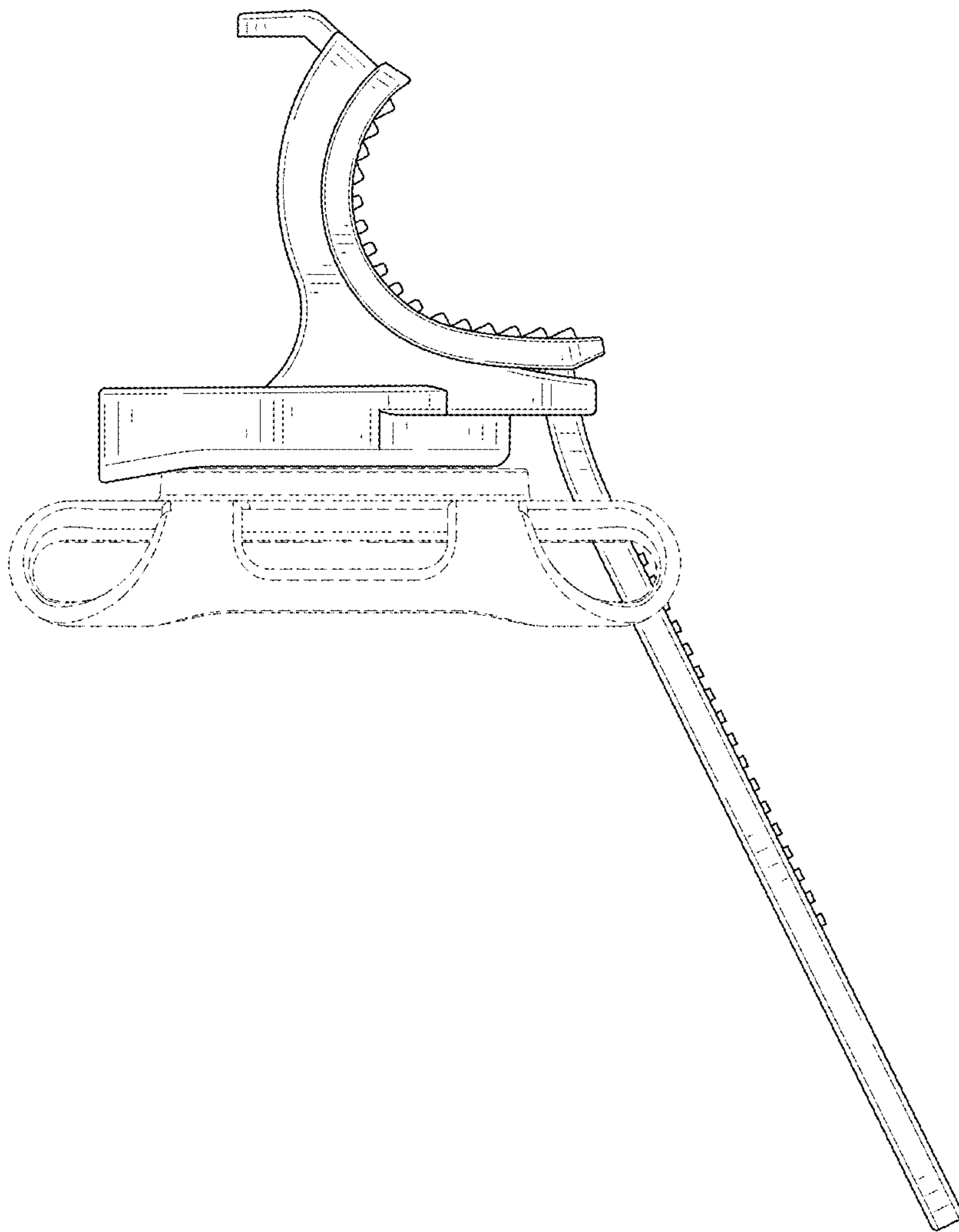


FIG. 6

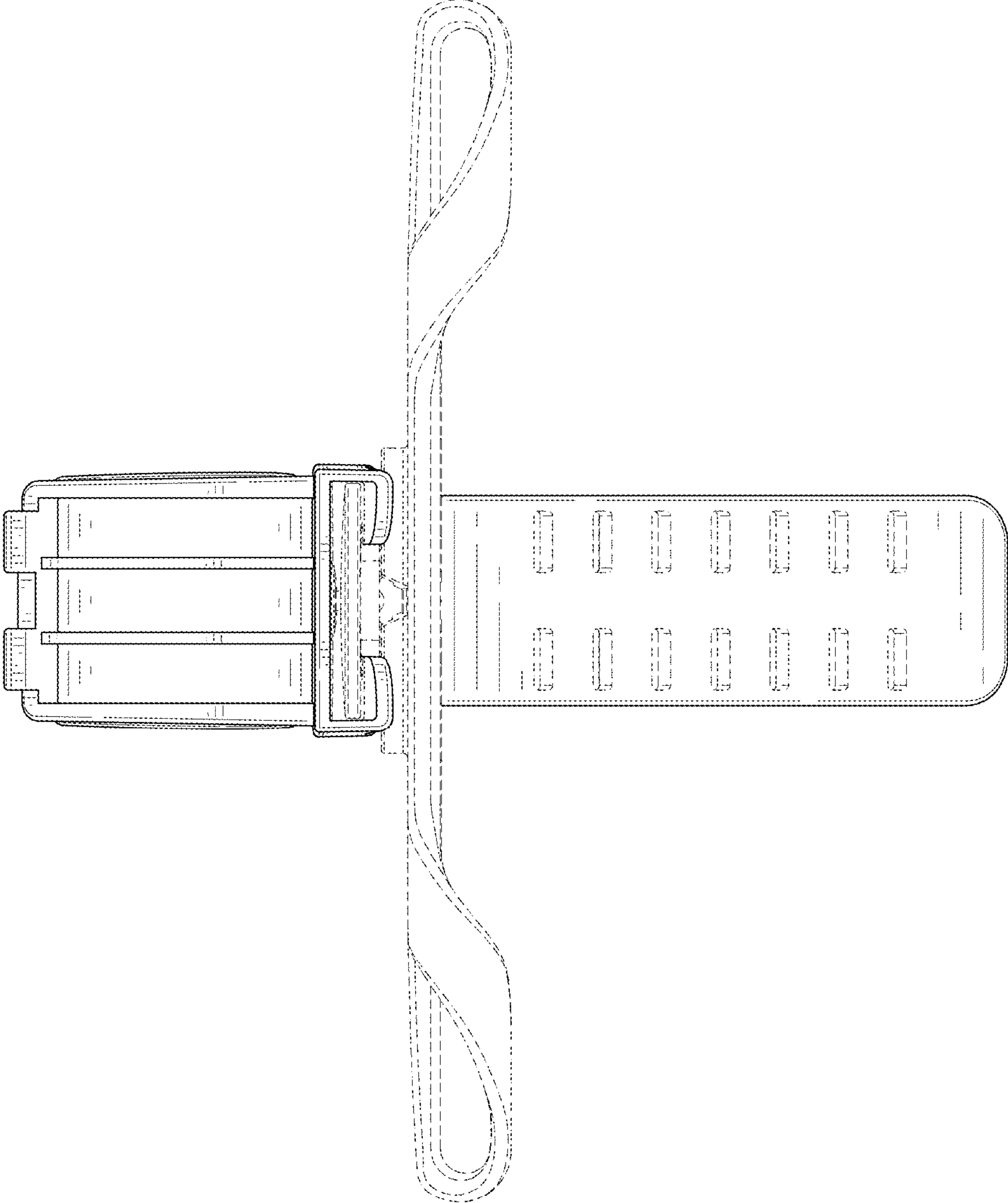


FIG. 7



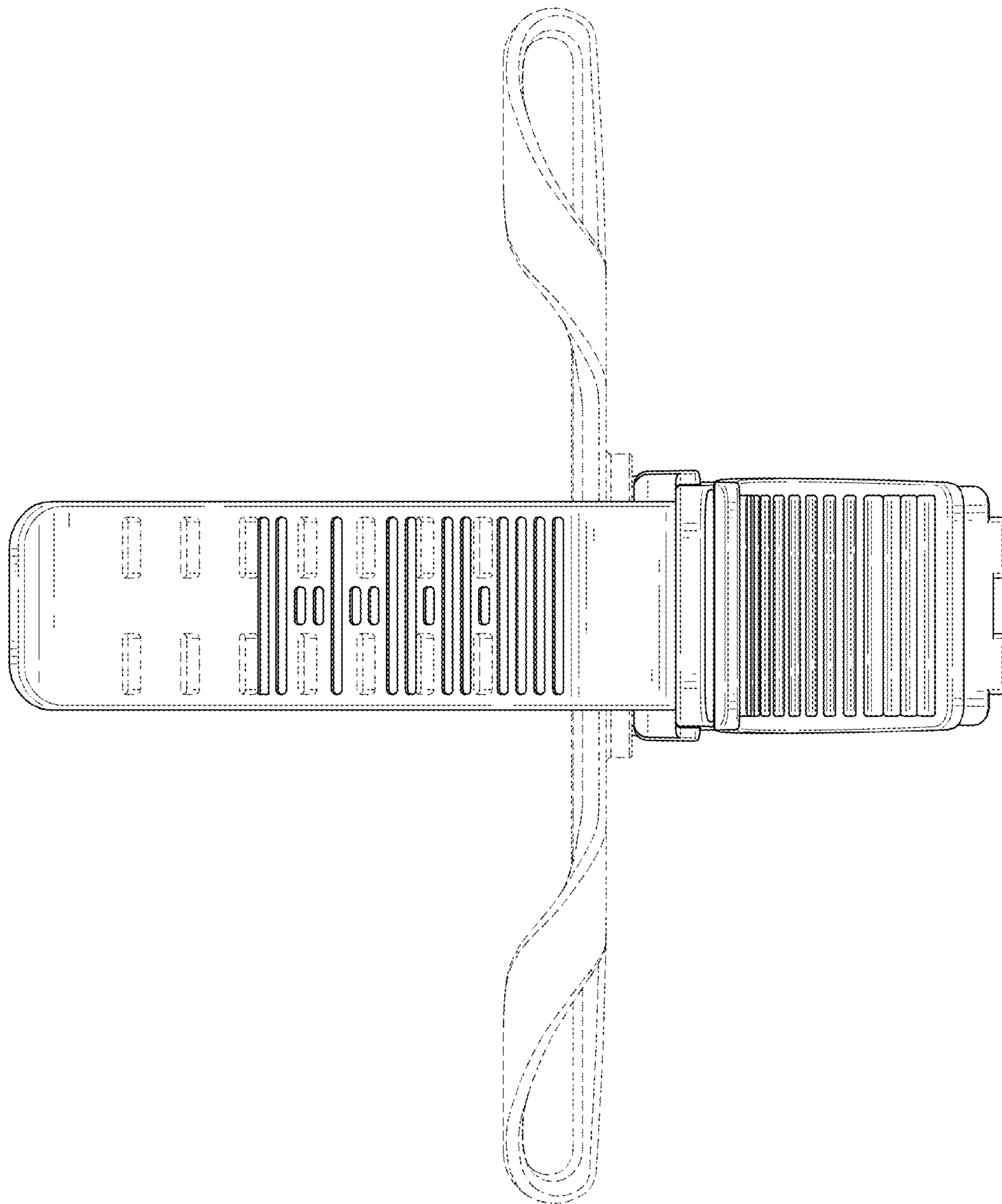


FIG. 8

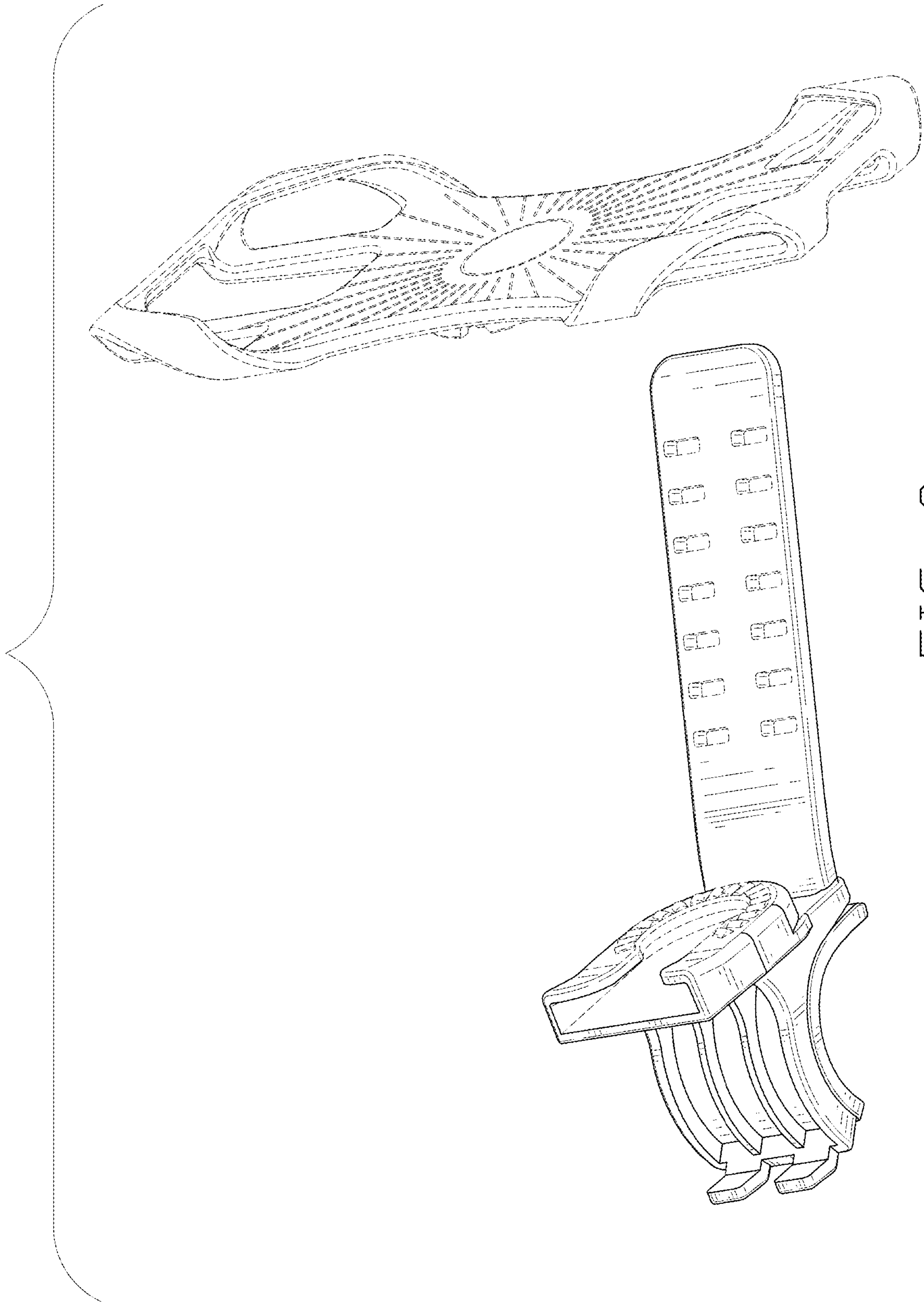


FIG. 9

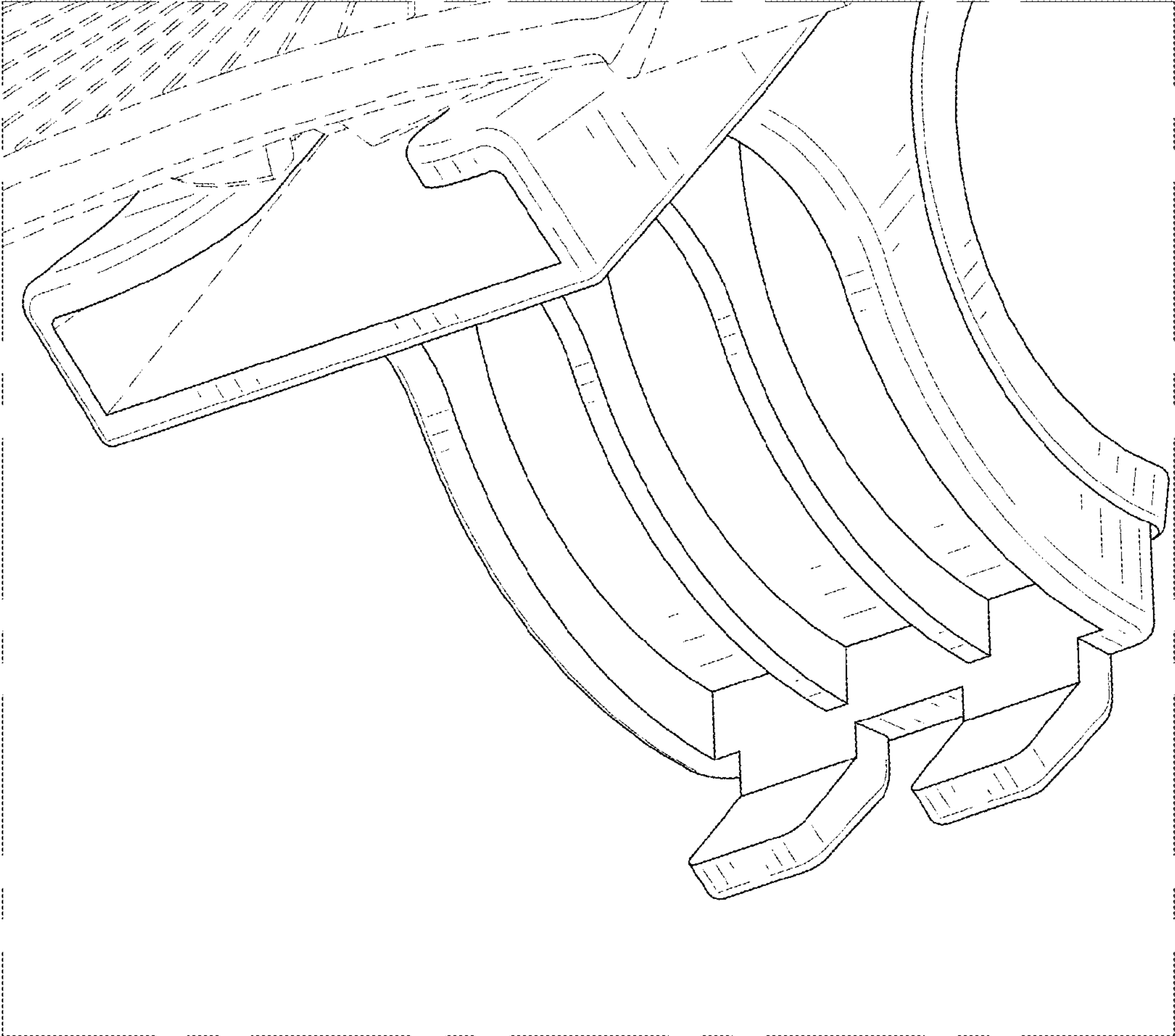


FIG. 10