



US00D881867S

(12) **United States Design Patent**
Lee et al.

(10) **Patent No.:** **US D881,867 S**
(45) **Date of Patent:** **** Apr. 21, 2020**

(54) **WATERPROOF HANG CASE FOR ELECTRONIC DEVICE**

FOREIGN PATENT DOCUMENTS

(71) Applicant: **elago CO. LTD**, Goyang-si, Gyeonggi-do (KR)

CN 304551045 3/2018
CN 304836810 10/2018

(Continued)

(72) Inventors: **Chanwoo Lee**, Goyang-si (KR); **Chong Min Kim**, Seoul (KR)

OTHER PUBLICATIONS

(73) Assignee: **elago CO. LTD**, Goyang-si, Gyeonggi-Do (KR)

AirPods Pro Waterproof Case, IP67 1Meter/3.3FT, Elago Co. LTD, www.elago.com (Year: 2020).*

(Continued)

(**) Term: **15 Years**

Primary Examiner — Catherine R Oliver-Garcia

(21) Appl. No.: **29/718,747**

(74) *Attorney, Agent, or Firm* — Paratus Law Group, PLLC

(22) Filed: **Dec. 27, 2019**

(51) **LOC (12) Cl.** **14-03**

(57) **CLAIM**

(52) **U.S. Cl.**
USPC **D14/250**; D3/201; D3/218; D3/269

The ornamental design for a waterproof hang case for electronic device, as shown and described.

(58) **Field of Classification Search**

DESCRIPTION

USPC D3/201, 212, 215, 218, 239, 269–270, D3/273, 292, 300, 301, 303; D6/315, D6/513; D14/250–251, 440, 447, 238.1, D14/253, 224, 224.1, 496, 203.3; 206/45.2, 305, 320; 455/575.1, 575.8
CPC A45F 5/00; A45F 5/021; A45F 2200/0516; A45F 2200/0525; A45C 2011/001; A45C 2011/002; A45C 2011/003; B65D 2585/6835; B60R 11/00; H04M 1/04; H04B 1/3877; H05K 5/0204; F16M 13/02; F16B 2/12; H01F 7/0252
See application file for complete search history.

FIG. 1 is a front, top, and left perspective view of waterproof hang case for electronic device, showing the claimed design; FIG. 2 is a front view thereof; FIG. 3 is a rear view thereof; FIG. 4 is a left side view thereof; FIG. 5 is a right side view thereof; FIG. 6 is a top view thereof; FIG. 7 is a bottom view thereof; FIG. 8 is a front, bottom, and left perspective view thereof; and, FIG. 9 is a cross-sectional view taken along line 9-9 shown in FIG. 2.

(56) **References Cited**

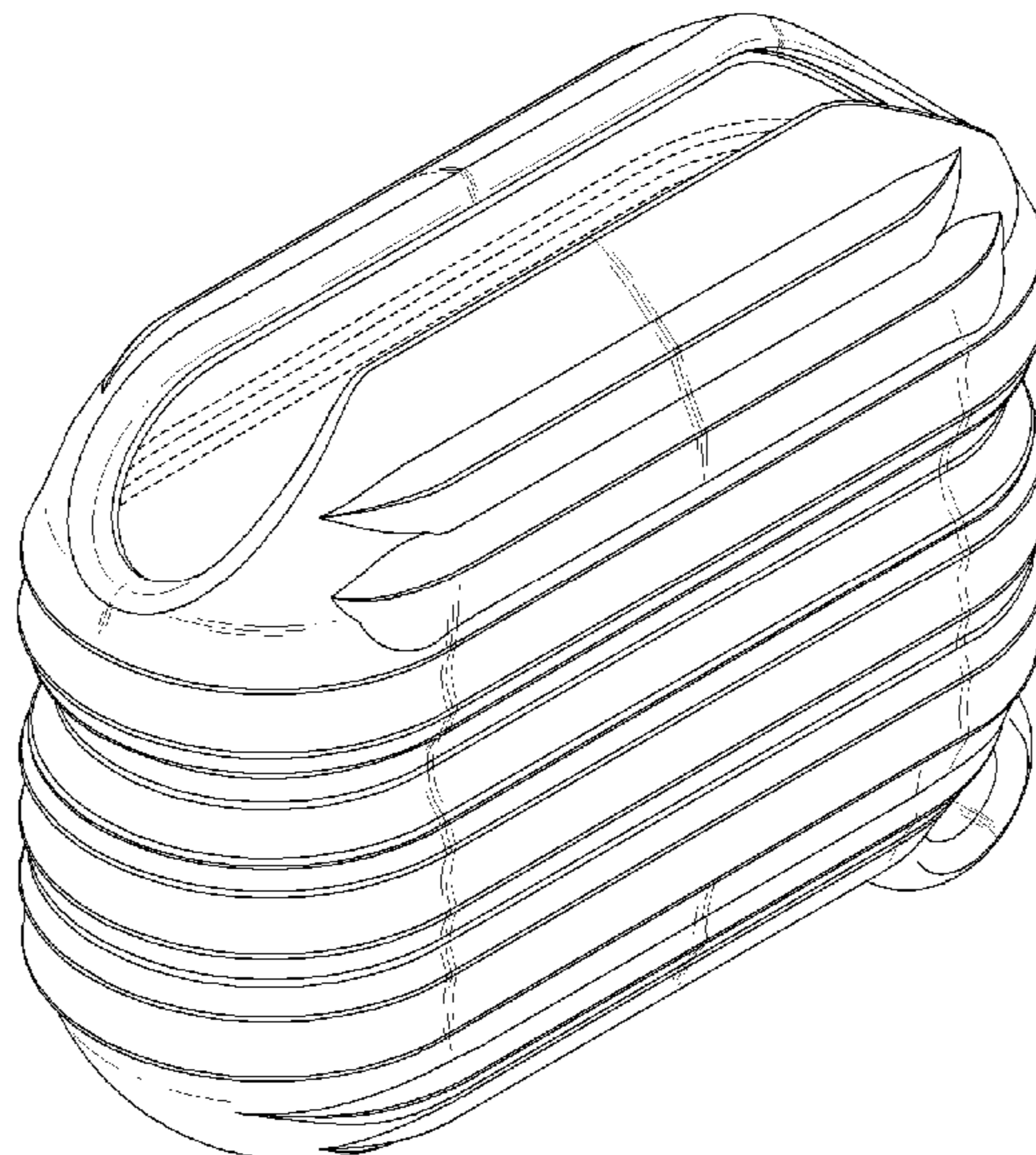
U.S. PATENT DOCUMENTS

D658,875 S * 5/2012 Xiang D3/269
D692,664 S * 11/2013 Rashid D3/303
D780,740 S 3/2017 Kim
D794,617 S 8/2017 Wright et al.

The long dash short dash broken lines and arrows shown in FIG. 2 are used to identify the cross-sectional view and form no part of the claimed design. The evenly spaced broken lines shown in FIGS. 1 and 9 depict environment and form no part of the claimed design.

(Continued)

1 Claim, 8 Drawing Sheets



(56)

References Cited

U.S. PATENT DOCUMENTS

D794,618 S 8/2017 Wright et al.
D834,301 S 11/2018 Poissant
D864,565 S * 10/2019 Lee D3/271.1
D864,971 S * 10/2019 Lee D14/440
D868,465 S * 12/2019 Lee D3/269
D869,147 S 12/2019 Lian
D869,161 S 12/2019 Zhong
D872,094 S 1/2020 Wright et al.
D872,468 S * 1/2020 Lee D3/269

FOREIGN PATENT DOCUMENTS

CN 304836811 10/2018
CN 305150795 5/2019
CN 305163180 5/2019
CN 305206440 6/2019
CN 305242401 7/2019
CN 305349563 9/2019
KR 300980452.0000 11/2018

OTHER PUBLICATIONS

Micok Compatible Airpods Case, Waterproof Protective Case Cover Skin for Airpods 2 & 1 Charging Case, Airpods accessories (Front LED Light is Visible), Amazon.com, earliest review dated Oct. 25, 2019.*

SIYIBAEBY Case for Airpods, Silicone Air Pods Case Black Waterproof cover with Shock-Resistant Dust-Resistant with Charging and Keychain, Amazon.com, earliest review Jul. 2, 2019.*

* cited by examiner

FIG. 1

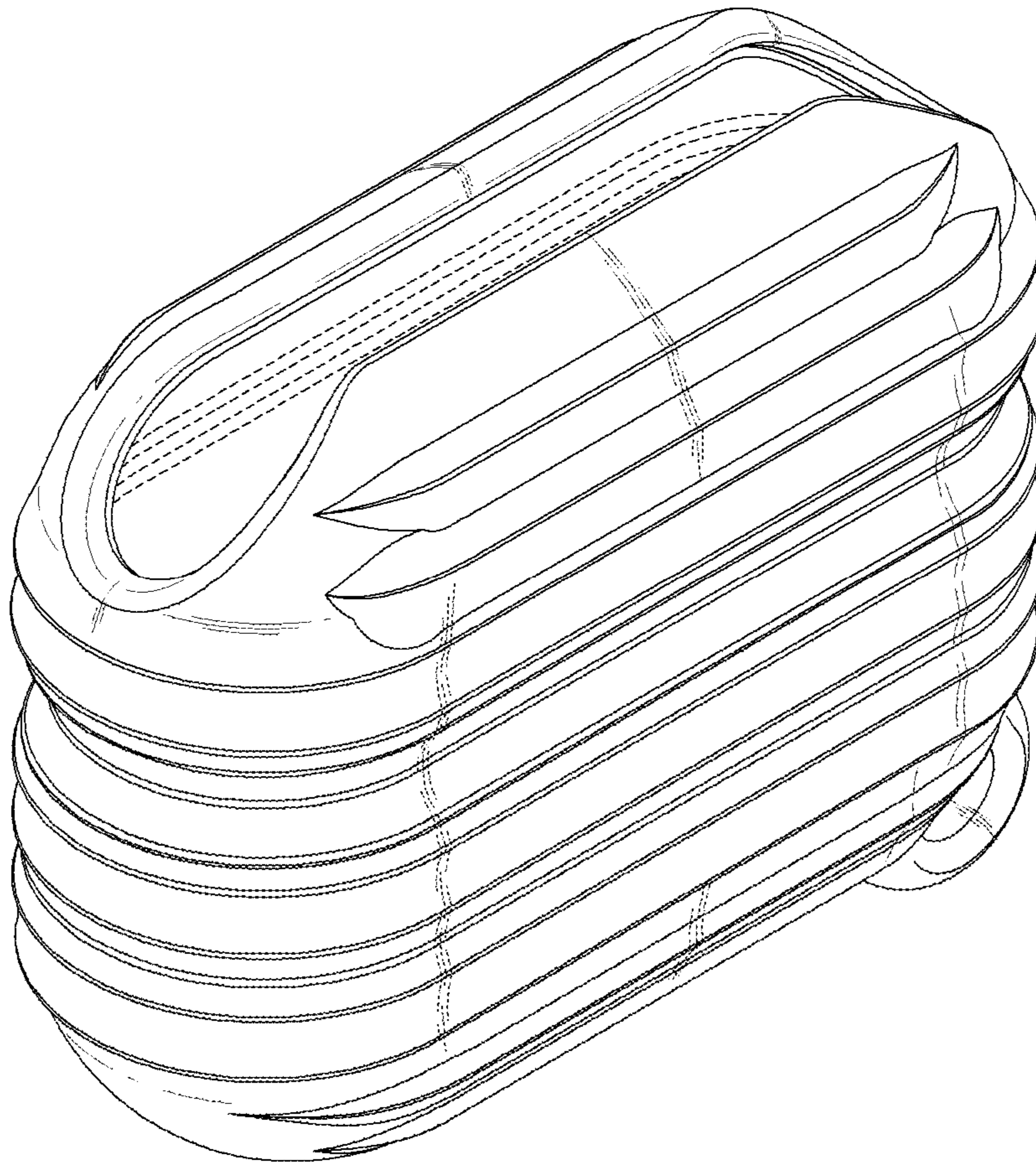


FIG. 2

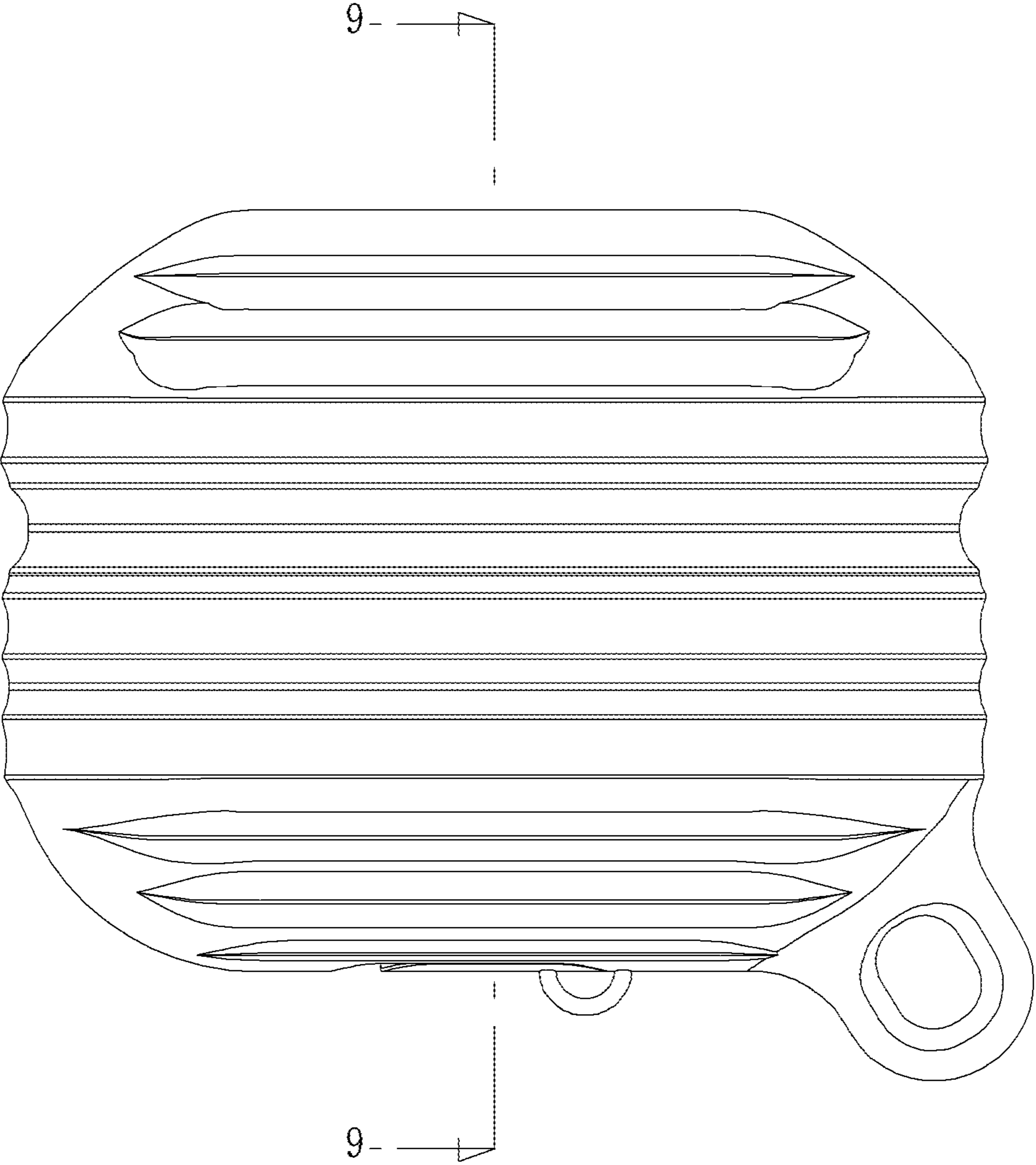


FIG. 3

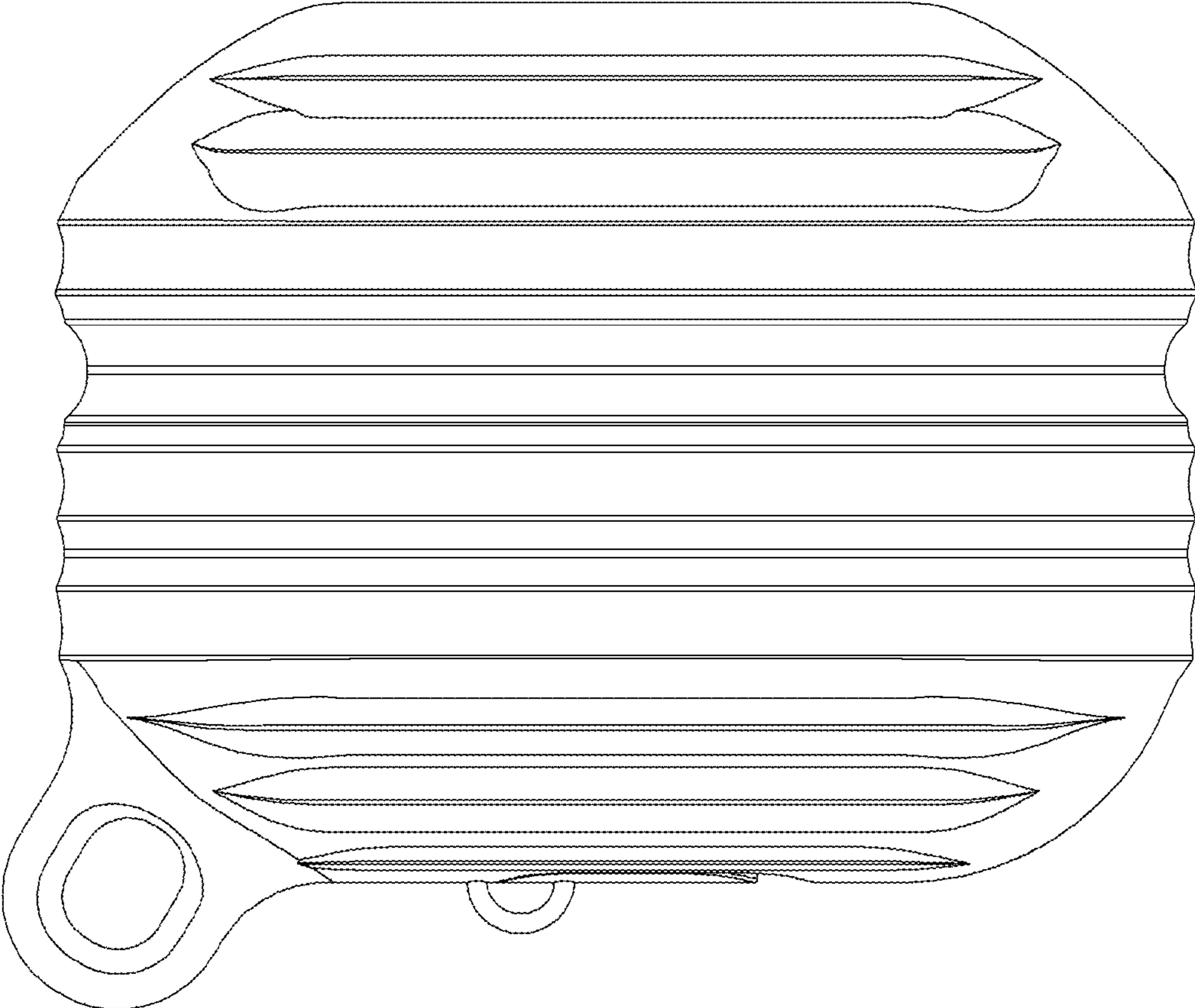


FIG. 4

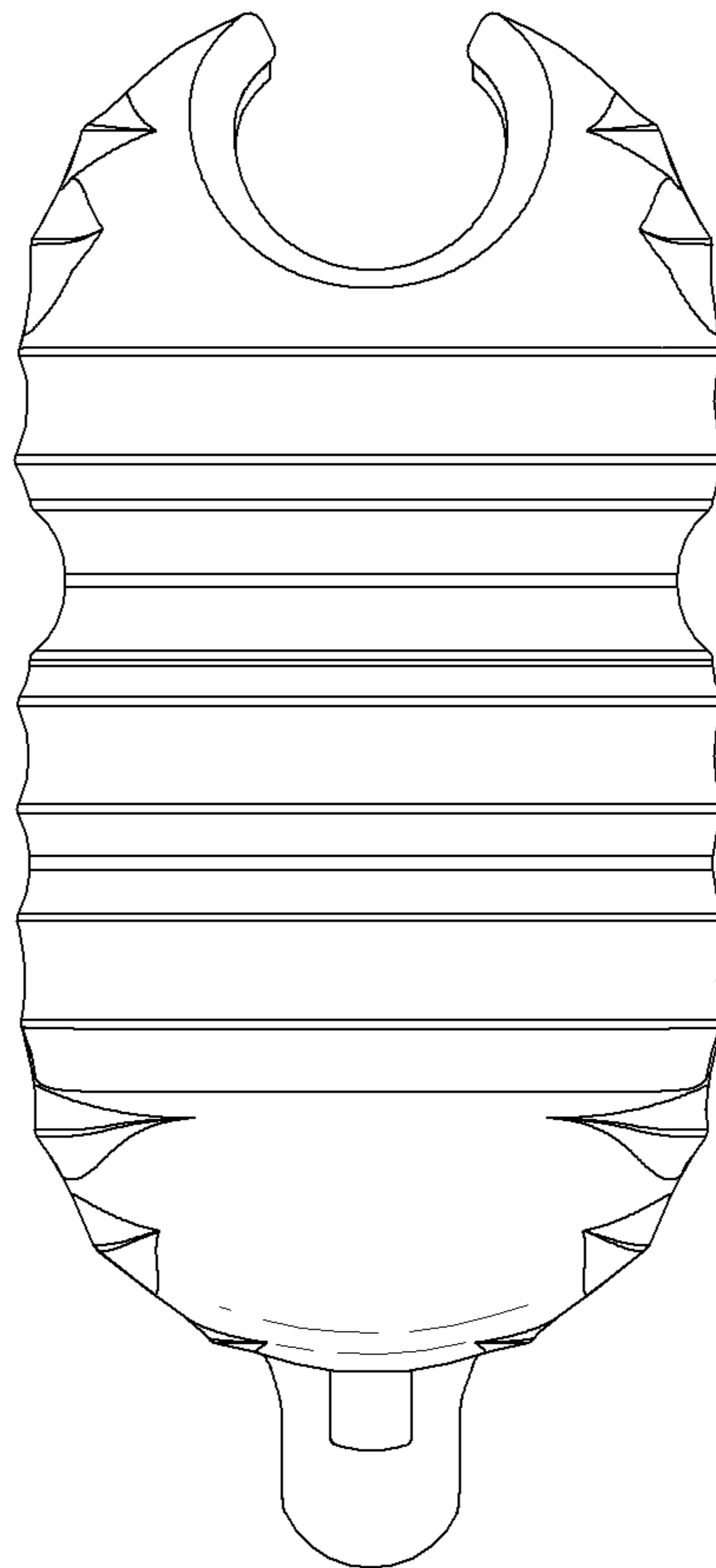


FIG. 5

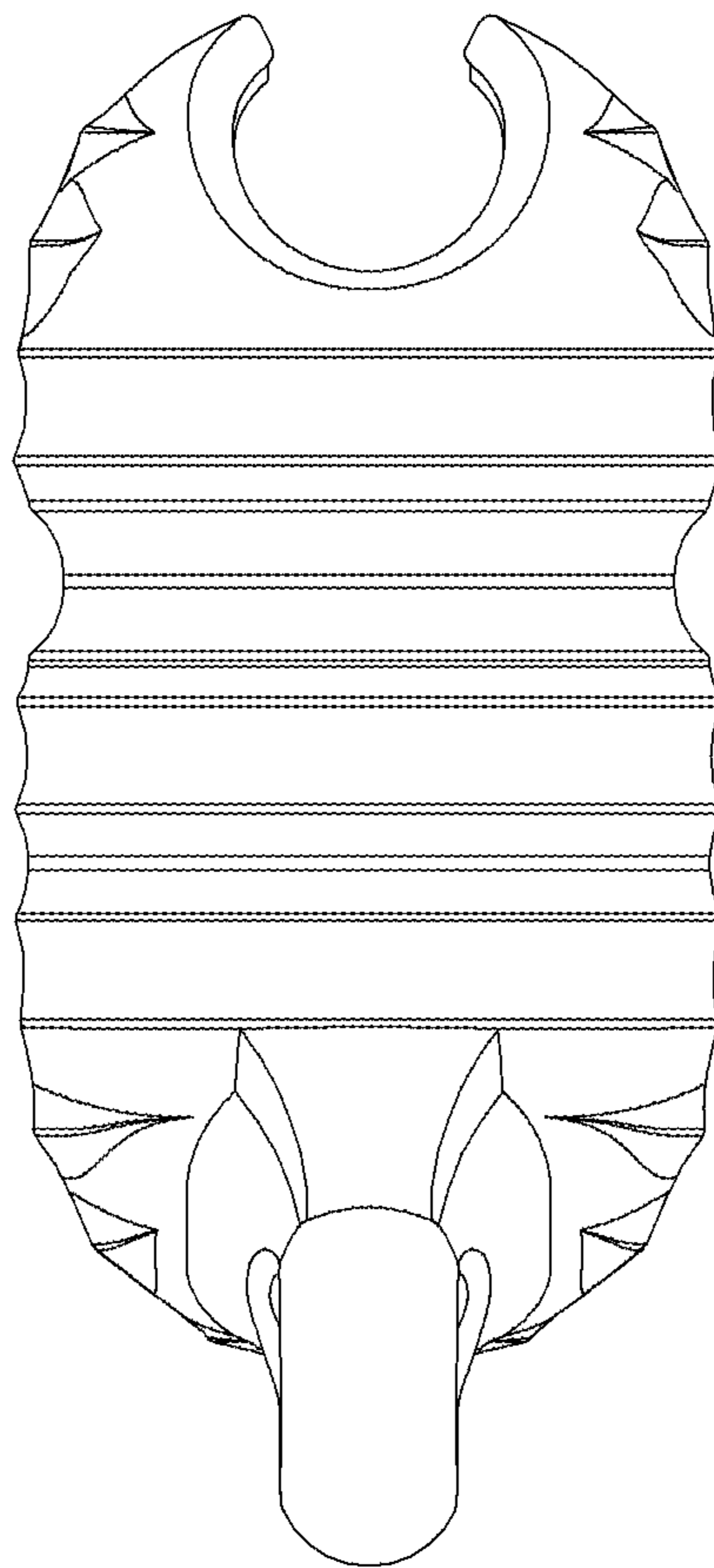


FIG. 6

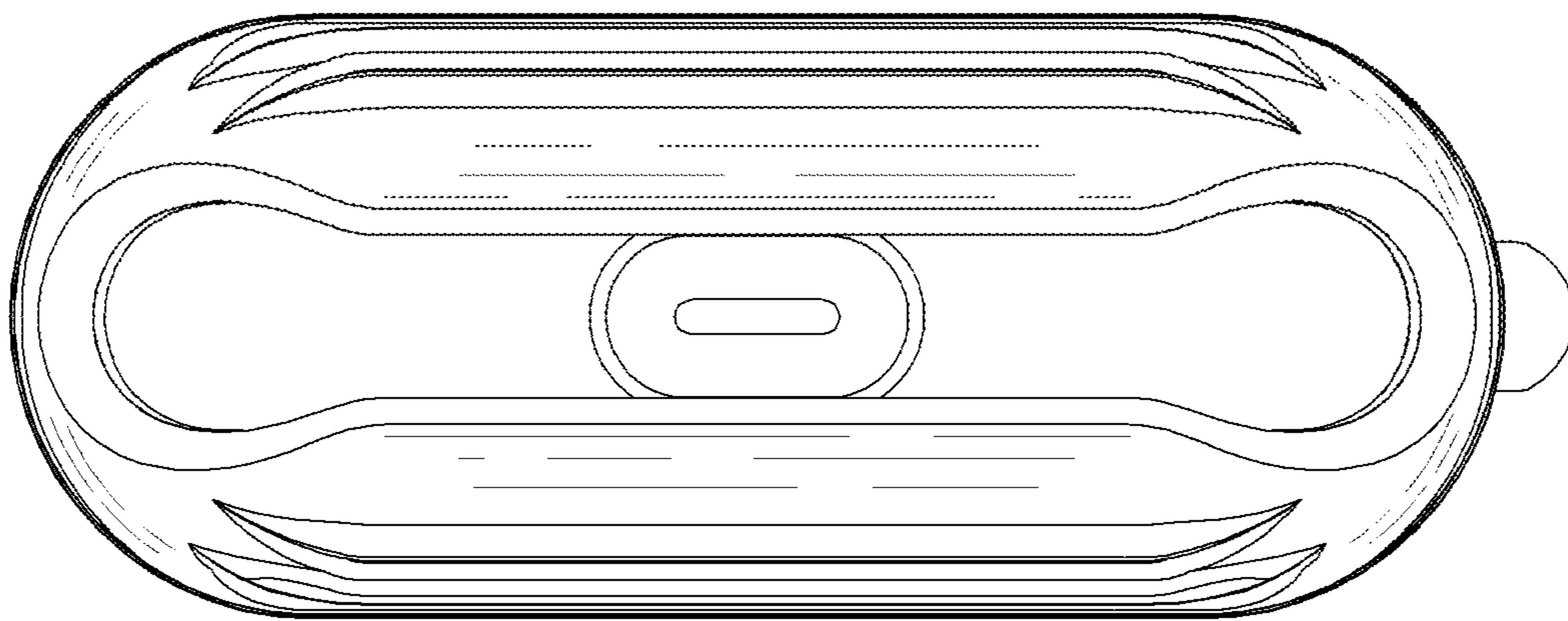


FIG. 7

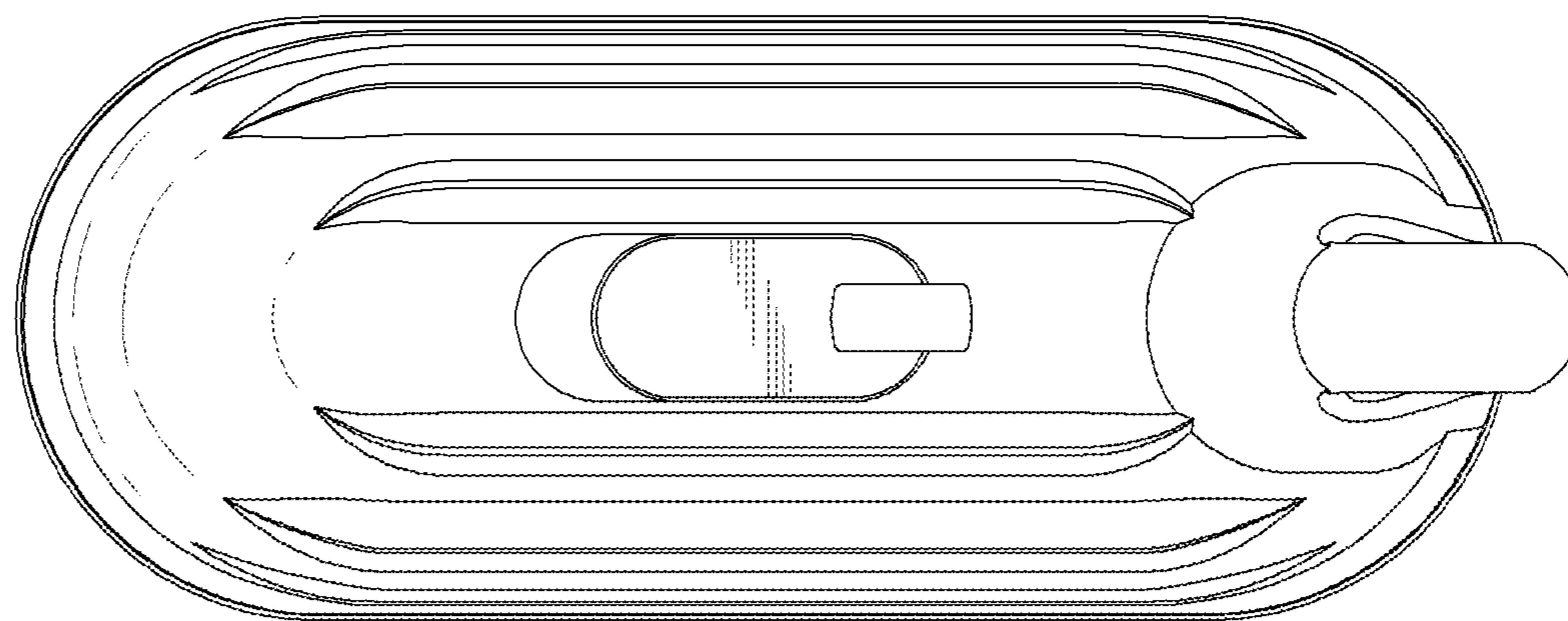


FIG. 8

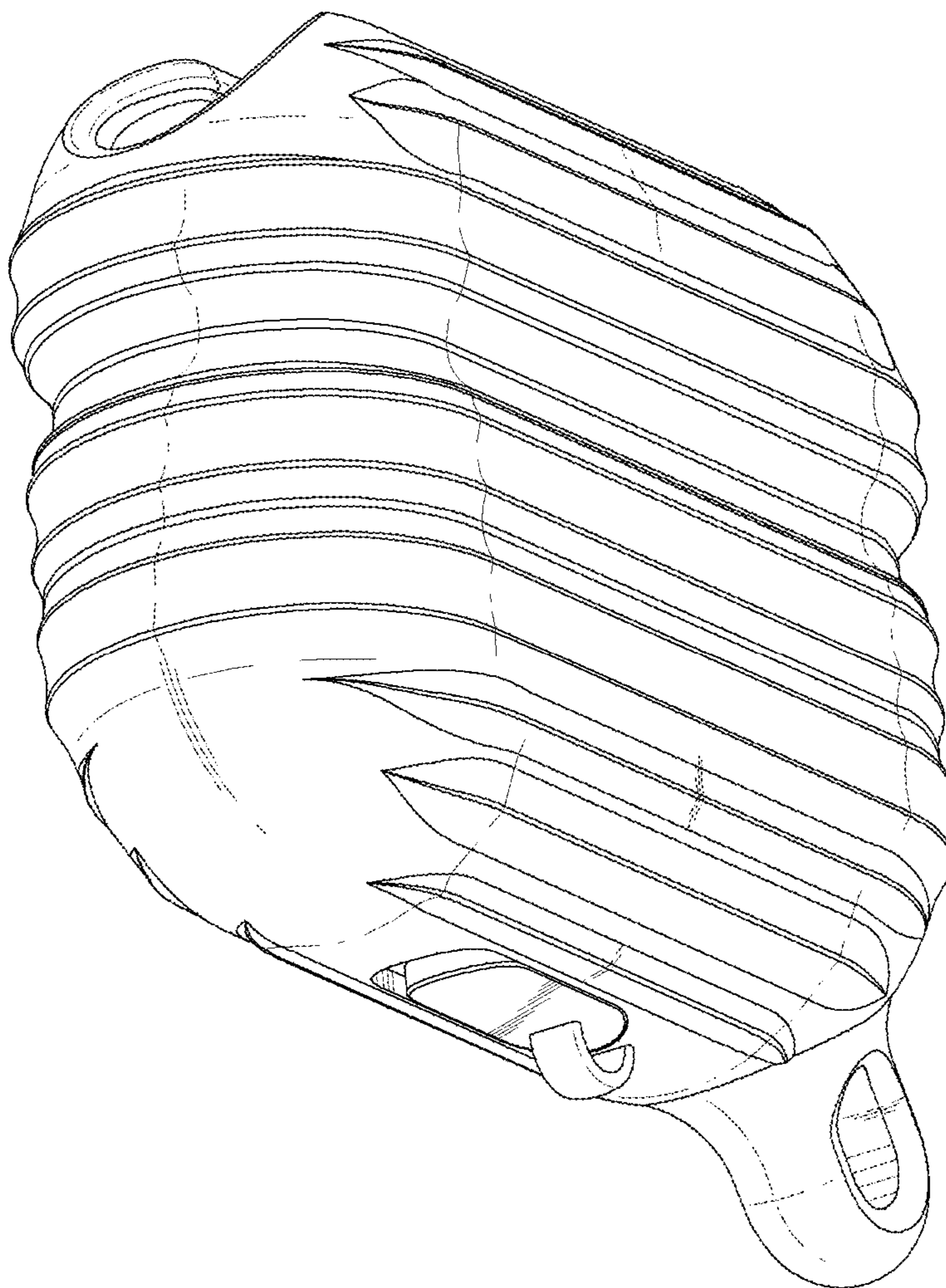


FIG. 9

