



US00D881865S

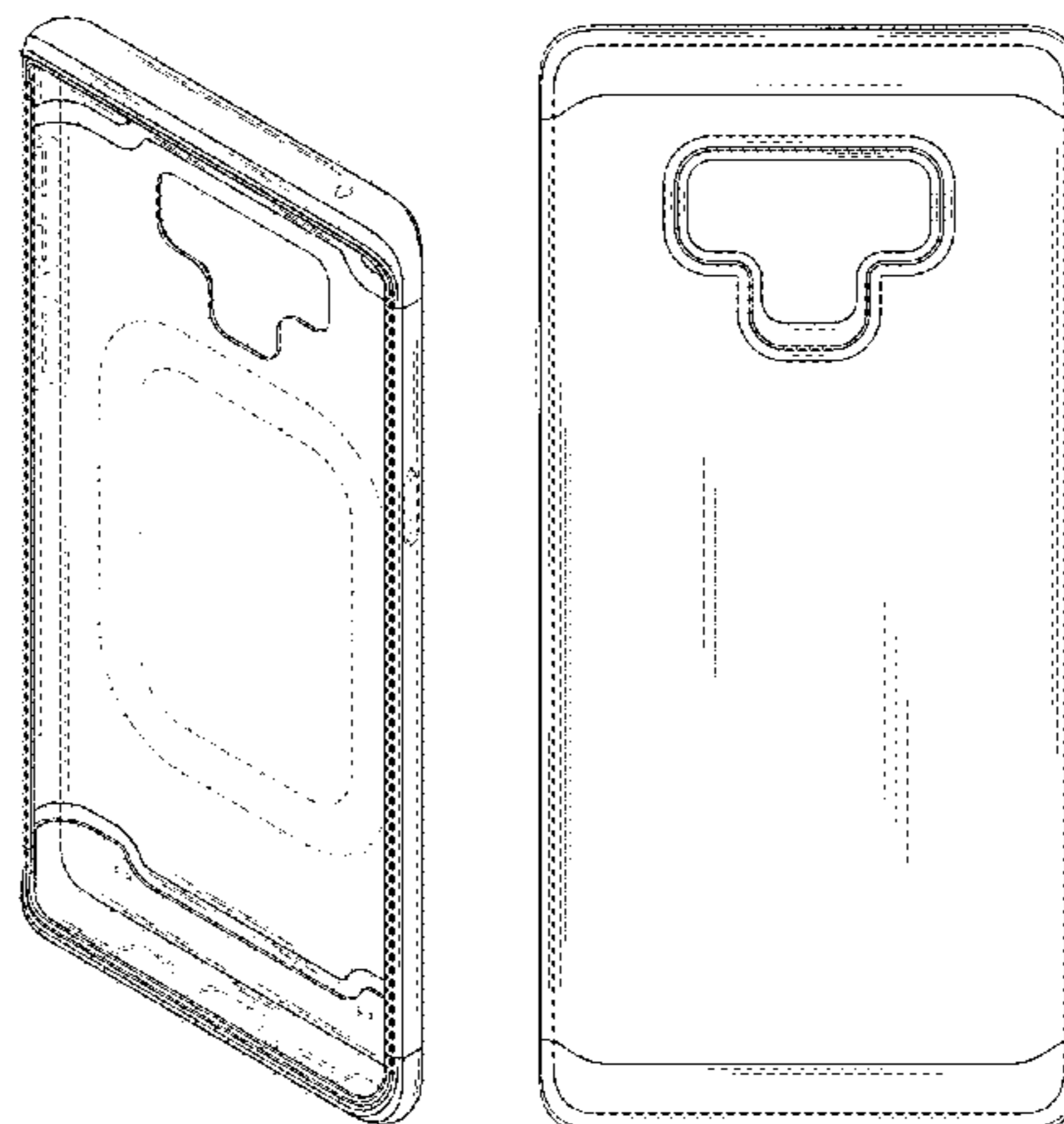
(12) **United States Design Patent** (10) **Patent No.:** **US D881,865 S**  
**Yun** (45) **Date of Patent:** **\*\* \*Apr. 21, 2020**

(54) **CASE FOR SMART PHONE**  
(71) Applicant: **SPIGEN KOREA CO., LTD.**, Seoul (KR)  
(72) Inventor: **Sun Woo Yun**, Seoul (KR)  
(73) Assignee: **Spigen Korea CO., LTD.**, Seoul (KR)  
(\* ) Notice: This patent is subject to a terminal disclaimer.  
(\*\*) Term: **15 Years**  
(21) Appl. No.: **29/658,662**  
(22) Filed: **Aug. 1, 2018**  
(51) **LOC (12) Cl.** ..... **14-03**  
(52) **U.S. Cl.**  
USPC ..... **D14/250**  
(58) **Field of Classification Search**  
USPC ..... D14/439, 203.3-203.7, 447, 238.1, D14/251-253, 217, 240, 250, 440, 248; D3/201, 218, 247, 269, 273, 301, 303; D13/107-108, 103, 119  
CPC ..... H04B 1/3888; H04M 1/0283; H04M 1/0202; A45C 1/06; A45C 11/00; A45C 13/02; A45C 2011/002; A45F 2005/026; A45F 2200/0525; A45F 2200/0516  
See application file for complete search history.

D653,202 S *	1/2012	Hasbrook	.....	D13/103
D658,165 S *	4/2012	Freeman	.....	D14/250
D663,263 S	7/2012	Gupta et al.		
D670,689 S	11/2012	Wang		
D676,432 S	2/2013	Hasbrook		
D676,844 S	2/2013	Weller et al.		
D677,249 S	3/2013	Li		
D681,615 S	5/2013	Fathollahi		
D682,196 S	5/2013	Leung		
8,504,127 B2	8/2013	Altschul et al.		
8,517,172 B1	8/2013	Chang		
D692,419 S	10/2013	Rayner		
D694,225 S	11/2013	Kim		
D696,654 S	12/2013	Lee		
D697,905 S	1/2014	Chang		
D698,774 S	2/2014	Wardy		
8,726,952 B2	5/2014	Jambunathan et al.		
D707,965 S	7/2014	Requa		
D709,871 S	7/2014	Lee		
D710,795 S *	8/2014	Gupta	.....	D13/103
D713,834 S *	9/2014	Almstrom	.....	D14/250
D716,045 S	10/2014	Requa		
D721,360 S *	1/2015	Laffon de Mazieres	....	D14/250
D721,694 S	1/2015	Lee et al.		
8,971,975 B2	3/2015	Ramies et al.		
D727,883 S	4/2015	Brand		
D731,472 S	6/2015	Lee		
D731,481 S	6/2015	Akana et al.		
D733,149 S	6/2015	Dahlberg		
9,049,283 B1	6/2015	Kim		
D733,693 S	7/2015	Wang et al.		
D740,794 S	10/2015	Choi et al.		
D741,845 S	10/2015	Kim		
D743,931 S	11/2015	Hubbard et al.		
D744,472 S	12/2015	Lerenthal		
D744,995 S	12/2015	Lerenthal		
D746,275 S	12/2015	Mohammad		
D746,805 S	1/2016	Kim		
9,241,551 B2	1/2016	Lawson et al.		
D749,068 S	2/2016	Zaborski et al.		
D749,557 S	2/2016	Feng		
D753,099 S	4/2016	Kim		
D756,339 S *	5/2016	Tussy	.....	D14/250
D756,911 S	5/2016	Gupta et al.		
D759,966 S	6/2016	Pignotti		
D761,239 S	7/2016	Kim		
D763,842 S	8/2016	Chang et al.		
D765,628 S	9/2016	Watt et al.		
D765,635 S	9/2016	Chang et al.		
D765,638 S	9/2016	Gaylord et al.		
D765,640 S	9/2016	Bulkley et al.		
D765,641 S	9/2016	Bulkley et al.		
D770,435 S	11/2016	Daniel		

(56) **References Cited**  
U.S. PATENT DOCUMENTS

D575,056 S *	8/2008	Tan	.....	D3/201
D619,361 S	7/2010	Andre et al.		
D623,180 S *	9/2010	Diebel	.....	D14/250
D624,533 S	9/2010	Richardson		
D624,908 S	10/2010	Huskinson		
D624,909 S *	10/2010	Huskinson	.....	D14/250
D626,120 S	10/2010	Richardson		
D626,121 S	10/2010	Richardson		
D637,589 S	5/2011	Willes et al.		
D646,265 S	10/2011	Fathollahi		
D647,084 S	10/2011	Fathollahi		
D650,371 S	12/2011	Wibby et al.		



D776,647 S	1/2017	Kim	
D777,155 S	1/2017	Kim	
D777,156 S	1/2017	Kim	
D779,470 S	2/2017	Kim et al.	
D780,164 S	2/2017	Lee	
D781,835 S	3/2017	Kim et al.	
D782,456 S	3/2017	Park et al.	
D783,602 S	4/2017	Akana et al.	
D784,309 S	4/2017	Lee et al.	
D786,233 S	5/2017	Kim	
D786,846 S	5/2017	Kim et al.	
D786,849 S	5/2017	Park et al.	
D786,851 S	5/2017	Kim	
D786,852 S	5/2017	Kim	
D786,854 S	5/2017	Kim	
D787,492 S	5/2017	Kim	
D788,089 S	5/2017	Park et al.	
D788,093 S	5/2017	Lee et al.	
D788,757 S	6/2017	Kim	
D789,344 S	6/2017	Kim	
D791,755 S	7/2017	Kim	
D792,394 S	7/2017	Lee et al.	
D794,624 S	8/2017	Fernandes	
D797,090 S	9/2017	Lee et al.	
D797,092 S	9/2017	To et al.	
D797,093 S	9/2017	To	
D798,284 S *	9/2017	Kim	D14/250
D798,286 S	9/2017	Roberts et al.	
D798,853 S	10/2017	Park et al.	
D800,713 S *	10/2017	Kim	D14/250
D800,714 S	10/2017	Lee et al.	
D801,322 S	10/2017	Song et al.	
D801,323 S	10/2017	Kim	
D803,206 S *	11/2017	Kim	D14/250
D805,505 S	12/2017	Wang et al.	
D807,868 S	1/2018	Wang	
D808,955 S	1/2018	Park et al.	
D810,726 S	2/2018	Chou et al.	
D833,426 S *	11/2018	Yun	D14/250
D838,263 S *	1/2019	Yun	D14/250
2009/0186264 A1 *	7/2009	Huang	H01M 2/1022 429/96
2011/0049005 A1	3/2011	Wilson	
2011/0309728 A1	12/2011	Diebel	
2012/0088558 A1	4/2012	Song	
2012/0177967 A1	7/2012	Wang	
2013/0098790 A1 *	4/2013	Hong	A45C 11/00 206/320
2014/0116896 A1 *	5/2014	Simmer	A45C 13/1069 206/37
2014/0357330 A1 *	12/2014	Lin	H04M 1/0283 455/575.8
2015/0053583 A1 *	2/2015	McCormick	A45C 11/00 206/521
2015/0133204 A1 *	5/2015	Ivanovski	H04B 1/3816 455/575.8
2015/0381226 A1	12/2015	Mogol	
2016/0064979 A1	3/2016	Huang	
2016/0134142 A1 *	5/2016	Murphy	H02J 7/0054 455/573
2016/0206062 A1 *	7/2016	Marvin	A45C 11/00
2016/0374443 A1	12/2016	Kim	
2017/0005521 A1 *	1/2017	Youn	H02J 50/10
2017/0230072 A1 *	8/2017	Kim	H04B 1/3888
2018/0343025 A1 *	11/2018	Kim	H04B 1/3888

OTHER PUBLICATIONS

“Spigen Thin Fit iPhone SE Case with Premium Matte Finish Coating for iPhone SE 2016—Black”, <https://www.amazon.com/dp/B01BEDO61U>, Earliest review date of Jun. 20, 2013, Downloaded on Jan. 9, 2019.

“Spigen Thin Fit iPhone 6 Case with SF Coated Non Slip Matte Surface for Excellent Grip for iPhone 6S / iPhone 6—Smooth Black”, <https://www.amazon.com/dp/B00JH87ZSQ>, Earliest review date of Jul. 15, 2014, Downloaded on Nov. 26, 2018.

“Spigen Thin Fit iPhone 6 Case with SF Coated Non Slip Matte Surface for Excellent Grip for iPhone 6S / iPhone 6—Smooth Black”, <https://www.amazon.com/dp/B00JH87ZSQ>, Earliest review date of Jul. 15, 2014, Downloaded on Jan. 9, 2019.

“Spigen Thin Fit Galaxy S6 Case with Premium Matte Finish Coating for Galaxy S6 2015—Mint”, <https://www.amazon.com/dp/B00QU4NO9O>, Earliest review date of Feb. 27, 2015, Downloaded on Jan. 9, 2019.

“Spigen Thin Fit Galaxy Note 5 Case with Premium Matte Finish Coating for Galaxy Note 5 2015—Mint”, <https://www.amazon.com/dp/B010MWDTFI>, Earliest review date of Aug. 21, 2015, Downloaded on Jan. 9, 2019.

“iPhone 6s Case, Spigen [Thin Fit] Exact-Fit [Black] Premium Matte Finish Hard Case for iPhone 6s (2015) / iPhone 6 (2014)—Black (SGP11592)”, <https://www.amazon.com/dp/B010MVJDF4>, Earliest review date of Sep. 5, 2015, Downloaded on Jan. 9, 2019.

“iPhone 6s Plus Case, Spigen [Thin Fit] Exact-Fit [Black] Premium Matte Finish Hard Case for iPhone 6s Plus (2015)—Black (SGP11638)”, <https://www.amazon.com/dp/B010MVQO6K>, Earliest review date of Sep. 11, 2015, Downloaded on Jan. 9, 2019.

“Spigen Thin Fit iPhone 6S Case with Premium Matte Finish Coating for iPhone 6S 2015—Crystal Clear”, <https://www.amazon.com/dp/B010MVJBMV>, Earliest review date of Sep. 26, 2015, Downloaded on Jan. 9, 2019.

“Spigen Thin Fit Hybrid iPhone 6S Case with Premium SF Coated Non Slip Matte Surface for Excellent Grip and QNMP Compatible for iPhone 6S 2015—Black”, <https://www.amazon.com/dp/B013J3C73W>, Earliest review date of Sep. 28, 2015, Downloaded on Jan. 9, 2019.

“iPhone 6s Plus Case Thin Fit”, <https://www.spigen.com/collections/other-iphone-series/products/iphone-6s-plus-case-thin-fit>, Earliest review date of Oct. 20, 2015, Downloaded on Nov. 26, 2018.

“Spigen Thin Fit Hybrid iPhone 6S Plus Case with Premium SF Coated Non Slip Matte Surface for Excellent Grip and QNMP Compatible for iPhone 6S Plus 2015—Black”, <https://www.amazon.com/dp/B013J3CRGY>, Earliest review date of Oct. 24, 2015, Downloaded on Jan. 9, 2019.

“Spigen Thin Fit Xperia Z5 Case with Premium Matte Finish Coating for Xperia Z5—Gunmetal”, <https://www.amazon.com/dp/B016NF2EWC>, Earliest review date of Nov. 4, 2015, Downloaded on Jan. 9, 2019.

“Nexus 6P Case, Spigen [Thin Fit] Exact-Fit [Black] Premium Matte Finish Hard Case for Nexus 6P (2015)—Black (SGP11814)”, <https://www.amazon.com/dp/B01761J26I>, Earliest review date of Nov. 9, 2015, Downloaded on Jan. 9, 2019.

“Spigen Thin Fit Galaxy S7 Edge Case with Premium Matte Finish Coating for Samsung Galaxy S7 Edge 2016—Gunmetal”, <https://www.amazon.com/dp/B01AUR0NZE>, Earliest review date of Feb. 27, 2016, Downloaded on Mar. 6, 2019.

“Spigen Thin Fit Galaxy S7 Case with SF Coated Non Slip Matte Surface for Excellent Grip for Samsung Galaxy S7 2016—Black”, <https://www.amazon.com/dp/B01A7ICRLO>, Earliest review date of Mar. 3, 2016, Downloaded on Jan. 9, 2019.

“Spigen Thin Fit LG G5 Case with SF Coated Non Slip Matte Surface for Excellent Grip for LG G5 2016—Black”, <https://www.amazon.com/dp/B01B1GQETC>, Earliest review date of Apr. 11, 2016, Downloaded on Jan. 9, 2019.

“Spigen Thin Fit iPhone SE Case with Premium Hard Transparent PC for iPhone SE 2016—Crystal Clear”, <https://www.amazon.com/dp/B01CK2K31Q>, Earliest review date of May 11, 2016, Downloaded on Jan. 9, 2019.

“Spigen Thin Fit iPhone 8 Plus/iPhone 7 Plus Case with SF Coated Non Slip Matte Surface for Excellent Grip and QNMP Compatible for Apple iPhone 8 Plus (2017) / iPhone 7 Plus (2016)—Black”, <https://www.amazon.com/dp/B01GIWF4EK>, Earliest review date of Sep. 2, 2016, Downloaded on Jan. 9, 2019.

“Spigen Thin Fit iPhone 8 / iPhone 7 Case with SF Coated Non Slip Matte Surface for Excellent Grip and QNMP Compatible for Apple iPhone 8 (2017) / iPhone 7 (2016)—Black”, <https://www.amazon.com/dp/B01GIVWOMG>, Earliest review date of Sep. 15, 2016, Downloaded on Jan. 9, 2019.

“iPhone 7 Case Thin Fit”, <https://www.spigen.com/products/iphone-7-case-thin-fit?variant=19841249345>, Earliest review date of Oct. 6, 2016, Downloaded on Nov. 26, 2018.

“Spigen Thin Fit iPhone 8 / iPhone 7 Case with Premium Clear Hard PC and Slim Fit for Apple iPhone 8 (2017) / iPhone 7 (2016)—Crystal Clear”, <https://www.amazon.com/dp/B01LXAZCYG>, Earliest review date of Nov. 22, 2016, Downloaded on Jan. 9, 2019.

“Spigen Thin Fit LG G6 Case / G6 Plus Case with SF Coated Non Slip Matte Surface for Excellent Grip and QNMP compatible for LG G6 / G6 Plus (2017)—Black”, <https://www.amazon.com/dp/B01N6T3N9T>, Earliest review date of Mar. 4, 2017, Downloaded on Jan. 9, 2019.

“Spigen Thin Fit Galaxy S8 Plus Case with SF Coated Non Slip Matte Surface for Excellent Grip and QNMP Compatible for Galaxy S8 Plus (2017)—Black”, <https://www.amazon.com/dp/B06XP4LGHJ>, Earliest review date of Apr. 1, 2017, Downloaded on Jan. 9, 2019.

“Spigen Thin Fit Galaxy S8 Case with SF Coated Non Slip Matte Surface for Excellent Grip and QNMP Compatible for Samsung Galaxy S8 (2017)—Black”, <https://www.amazon.com/dp/B06XP54BCW>, Earliest review date of Apr. 15, 2017, Downloaded on Jan. 9, 2019.

“Spigen Tough Armor Galaxy S5 Case with Extreme Heavy Duty Protection and Air Cushion Technology for Samsung Galaxy S5 2014—Gunmetal”, <https://www.amazon.com/dp/B00I3UWDV8>, earliest review date of Mar. 9, 2014, Downloaded on Aug. 9, 2018.

“Spigen Tough Armor Galaxy Note 4 Case with Extreme Heavy Duty Protection and Air Cushion Technology for Samsung Galaxy Note 4 2014—Gunmetal”, <https://www.amazon.com/dp/B00MAWQU14>, earliest review date of Oct. 9, 2014, Downloaded on Aug. 31, 2018.

“Spigen Tough Armor Galaxy S6 Edge Case with Kickstand and Extreme Heavy Duty Protection and Air Cushion Technology for Galaxy S6 Edge 2015—Gunmetal”, <https://www.amazon.com/dp/B00SV63L38>, earliest review date of Mar. 12, 2015, Downloaded on Aug. 9, 2018.

“Spigen Tough Armor Galaxy S6 Case with Kickstand and Air Cushion Technology for Galaxy S6 2015—Gunmetal”, <https://www.amazon.com/dp/B00QU4PUKK>, earliest review date of Mar. 23, 2015, Downloaded on Aug. 9, 2018.

“Spigen Tough Armor Galaxy S7 Edge Case with Kickstand and Extreme Heavy Duty Protection and Air Cushion Technology for Samsung Galaxy S7 Edge 2016—Gunmetal”, <https://www.amazon.com/dp/B01A7IDNWQ>, earliest review date of Feb. 24, 2016, Downloaded on Aug. 9, 2018.

“Spigen Tough Armor Galaxy S7 Case with Extreme Heavy Duty Protection and Air Cushion Technology for Samsung Galaxy S7 2016—Gunmetal”, <https://www.amazon.com/dp/B01A7ID3PS>, earliest review date of Feb. 25, 2016, Downloaded on Aug. 9, 2018.

“Spigen Tough Armor LG G5 Case with Reinforced Kickstand and Heavy Duty Protection and Air Cushion Technology for LG G5 (2016)—Gunmetal”, <https://www.amazon.com/dp/B01B1GQL61>, earliest review date of Mar. 11, 2016, Downloaded on Aug. 9, 2018.

“Spigen Tough Armor Google Pixel Case with Kickstand and Heavy Duty Air Cushion Technology Protection for Google Pixel 2016—Black”, <https://www.amazon.com/dp/B01M12Z4PY>, earliest review date of Oct. 20, 2016, Downloaded on Aug. 9, 2018.

“Spigen Tough Armor Google Pixel XL Case with Kickstand and Heavy Duty Air Cushion Technology Protection for Google Pixel XL 2016—Gunmetal”, <https://www.amazon.com/dp/B01LZGCH6E>, earliest review date of Oct. 21, 2016, Downloaded on Aug. 9, 2018.

“Spigen Tough Armor LG V20 Case with Kickstand and Extreme Heavy Duty Protection and Air Cushion Technology for LG V20—Gunmetal”, <https://www.amazon.com/dp/B01M9FI54B>, earliest review date of Dec. 2, 2016, Downloaded on Aug. 9, 2018.

“Spigen Tough Armor LG G6 Case with Extreme Heavy Duty Protection and Air Cushion Technology for LG G6 (2017)—Black”, <https://www.amazon.com/dp/B01MR8C4RY>, earliest review date of Mar. 26, 2017, Downloaded on Aug. 3, 2018.

“Spigen Tough Armor Galaxy S8 Plus Case with Kickstand and Extreme Heavy Duty Protection and Air Cushion Technology for Galaxy S8 Plus (2017)—Black”, <https://www.amazon.com/dp/B06XP4FP8N>, earliest review date of Apr. 8, 2017, Downloaded on Aug. 9, 2018.

“Spigen Tough Armor Galaxy S8 Case with Kickstand and Extreme Heavy Duty Protection and Air Cushion Technology for Samsung Galaxy S8 (2017)—Black”, <https://www.amazon.com/dp/B06XNVPGC2>, earliest review date of Apr. 9, 2017, Downloaded on Aug. 9, 2018.

“Spigen Slim Armor Galaxy Note 4 Case with Air Cushion Technology and Hybrid Drop Protection for Samsung Galaxy Note 4 2014—Shimmery White”, <https://www.amazon.com/dp/B00MAWQPJQ>, earliest review date of Oct. 7, 2014, Downloaded on Jul. 30, 2018.

“Spigen Slim Armor Galaxy S6 Case with Air Cushion Technology and Hybrid Drop Protection with Kickstand for Samsung Galaxy S6 (2015)—Shimmery White”, <https://www.amazon.com/dp/B00QU4NQMY>, earliest review date of Mar. 21, 2015, Downloaded on Sep. 18, 2018.

“Spigen Slim Armor Galaxy S6 Edge Case with Kickstand and Air Cushion Technology and Hybrid Drop Protection for Galaxy S6 Edge 2015—Gunmetal”, <https://www.amazon.com/dp/B00SV638ZE>, earliest review date of Apr. 3, 2015, Downloaded on Sep. 18, 2018.

“Spigen Slim Armor Galaxy Note 5 Case with Air Cushion Technology and Hybrid Drop Protection for Galaxy Note 5 2015—Metal Slate”, <https://www.amazon.com/dp/B010MWHIKA>, earliest review date of Aug. 21, 2015, Downloaded on Jul. 18, 2018.

“Slim Armor case—Galaxy S6 Edge Plus”, [https://www.youtube.com/watch?v=hrEnHS\\_S1i4](https://www.youtube.com/watch?v=hrEnHS_S1i4), Published Oct. 12, 2015, Downloaded on Mar. 19, 2019.

“Spigen Slim Armor LG V10 Technology and Hybrid Drop Protection for LG V10—Gunmetal”, <https://www.amazon.com/dp/B016X1FODW>, earliest review date of Nov. 16, 2015, Downloaded on Sep. 18, 2018.

“Spigen Slim Armor Galaxy S7 Edge Case with Kickstand and Air Cushion Technology and Hybrid Drop Protection for Samsung Galaxy S7 Edge 2016—Champagne Gold”, <https://www.amazon.com/dp/B01BEBBWY6>, earliest review date of Feb. 26, 2016, Downloaded on Sep. 18, 2018.

“Spigen Slim Armor Galaxy S7 Case with Air Cushion Technology and Hybrid Drop Protection for Samsung Galaxy S7 2016—Violet”, <https://www.amazon.com/dp/B01AUR1D8K>, earliest review date of Mar. 2, 2016, Downloaded on Sep. 18, 2018.

“Spigen Slim Armor LG G6 Case with Air Cushion Technology and Hybrid Drop Protection for LG G6 (2017)—champagne Gold”, <https://www.amazon.com/dp/B01N1395SE>, earliest review date of Mar. 25, 2017, Downloaded on Sep. 18, 2018.

“Spigen Slim Armor Galaxy A5 2017 Case with Air Cushion Technology and Hybrid Drop Protection with Kickstand for Samsung Galaxy A5 2017—Metal Slate”, <https://www.amazon.com/dp/B01MTA3AAN>, earliest review date of Apr. 1, 2017, Downloaded on Sep. 18, 2018.

“Spigen Slim Armor Galaxy S8 Plus Case with Air Cushion Technology and Hybrid Drop Protection for Galaxy S8 Plus (2017)—Orchid Gray”, <https://www.amazon.com/dp/B0716CZ3Z1>, earliest review date of Apr. 8, 2017, Downloaded on Jul. 18, 2018.

\* cited by examiner

*Primary Examiner* — Carla J Wright

(74) *Attorney, Agent, or Firm* — Heedong Chae; Lucem, PC

(57) **CLAIM**

The ornamental design for a case for smart phone, as shown and described.

#### DESCRIPTION

FIG. 1 is a front perspective view of case for smart phone showing my new design;

FIG. 2 is a rear perspective view thereof;

FIG. 3 is a front elevational view thereof;

FIG. 4 is a rear elevational view thereof;

FIG. 5 is a left side elevational view thereof;  
FIG. 6 is a right side elevational view thereof;  
FIG. 7 is a top plan view thereof;  
FIG. 8 is a bottom plan view thereof;  
FIG. 9 is a front perspective view of the upper frame component of the case shown separately for clarity of disclosure;  
FIG. 10 is a rear perspective view of the upper frame component of the case shown separately for clarity of disclosure;  
FIG. 11 is a front perspective view of the middle frame component of the case shown separately for clarity of disclosure;  
FIG. 12 is a rear perspective view of the middle frame component of the case shown separately for clarity of disclosure;  
FIG. 13 is a front perspective view of the bottom frame component of the case shown separately for clarity of disclosure;  
FIG. 14 is a rear perspective view of the bottom frame component of the case shown separately for clarity of disclosure;

FIG. 15 is an exploded front perspective view showing the components of the case separated for clarity of disclosure; and,

FIG. 16 is an exploded rear perspective view showing the components of the case separated for clarity of disclosure. For clarity of disclosure, the components of the case are shown in isolation in FIGS. 9-14 and separated in FIGS. 15-16. Although the case for smart phone, in which the claimed design is embodied, consists of an upper frame component, a middle frame component, and a bottom frame component, the claim is directed to the overall ornamental appearance of the case in its entirety and does not extend to the ornamental appearance of each of the individual components.

The broken lines throughout the drawing figures depict portions of the case that form no part of the claimed design. The broken lines and unshaded regions form no part of the claimed design.

**1 Claim, 16 Drawing Sheets**

FIG. 1

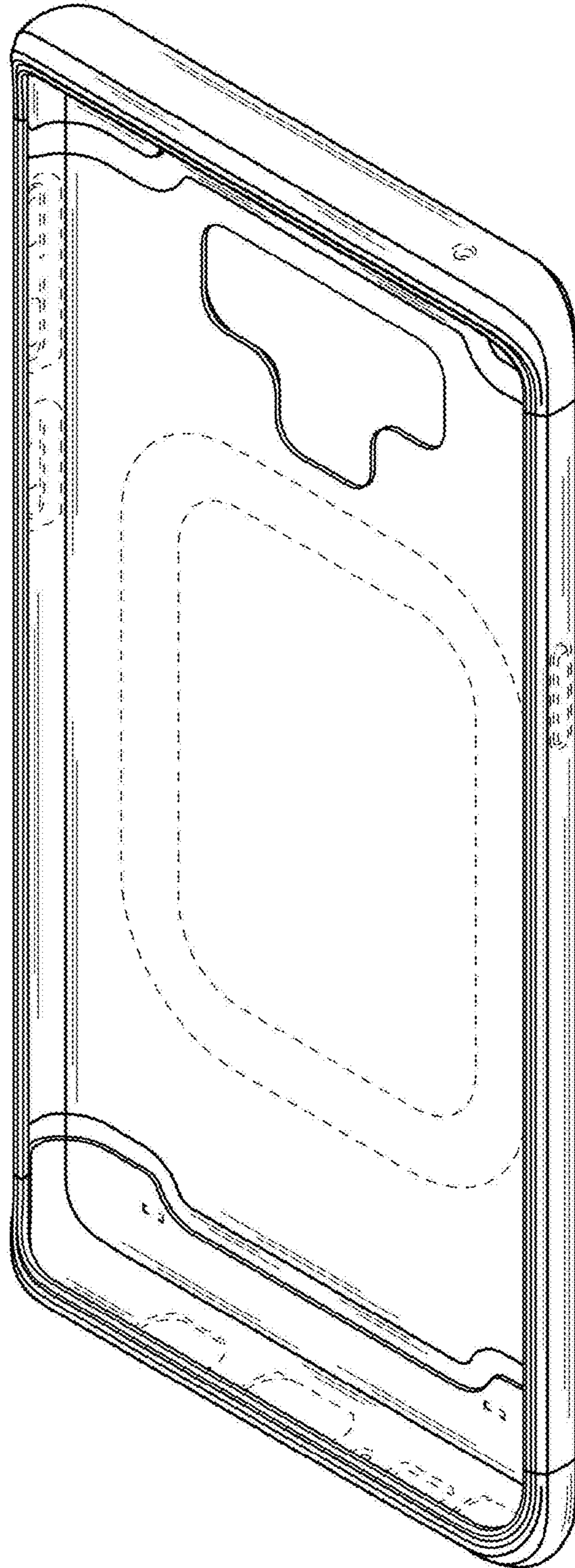


FIG. 2

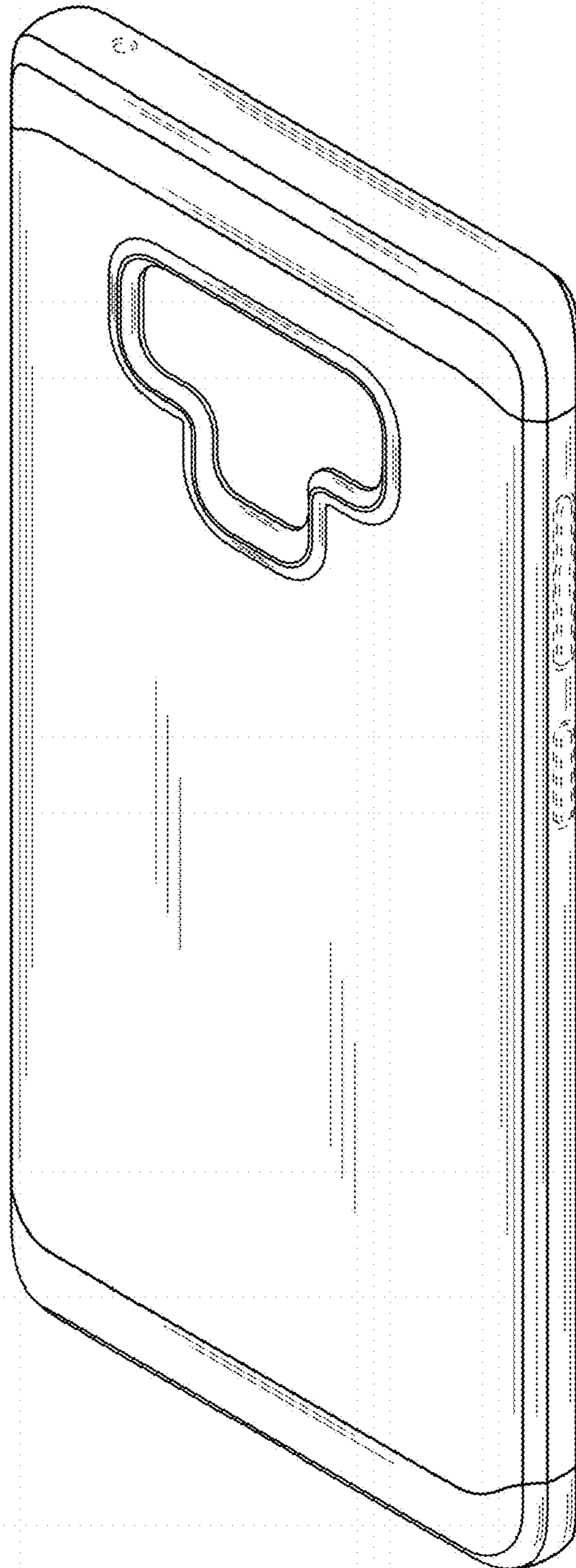


FIG. 3

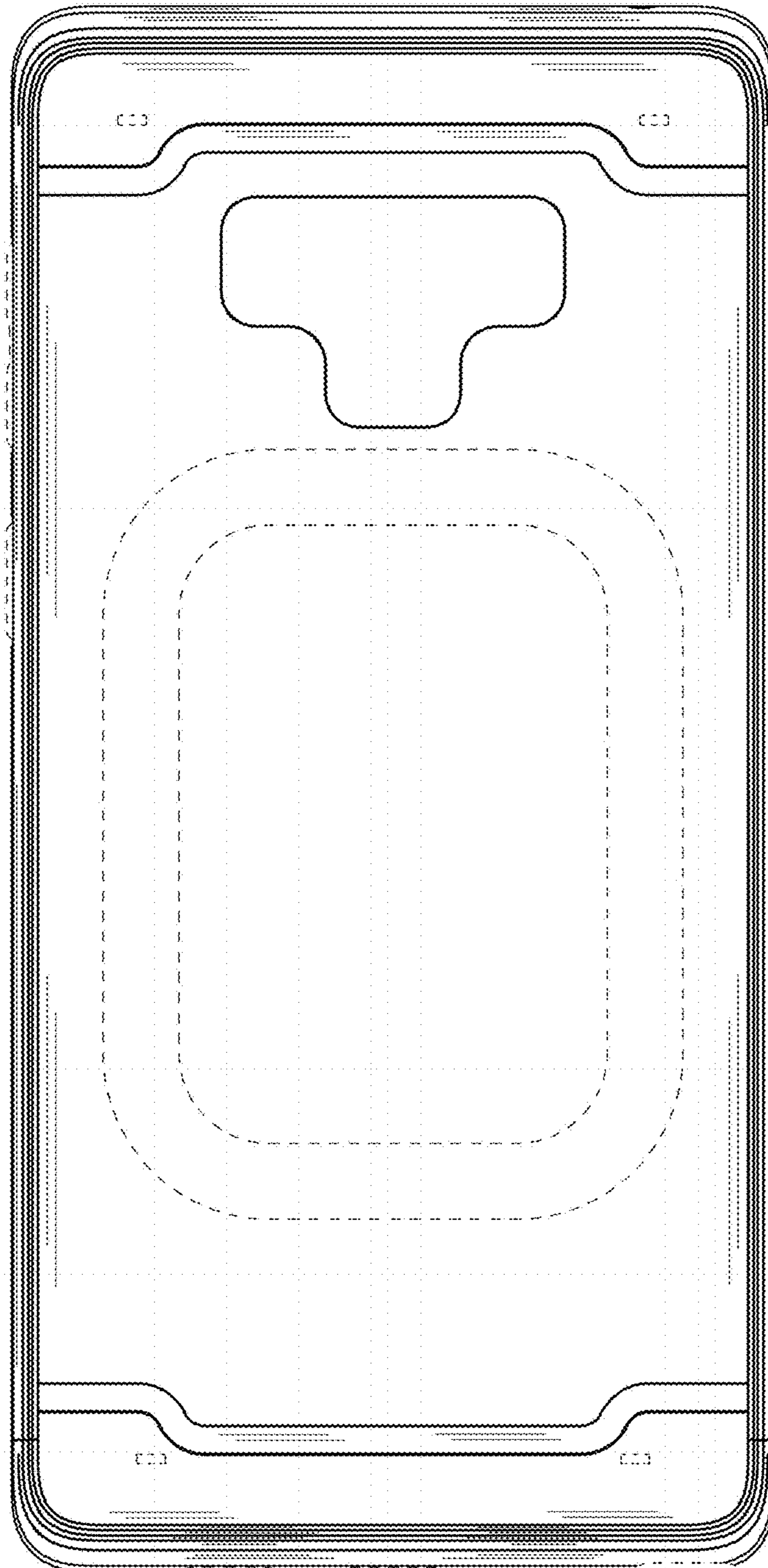


FIG. 4

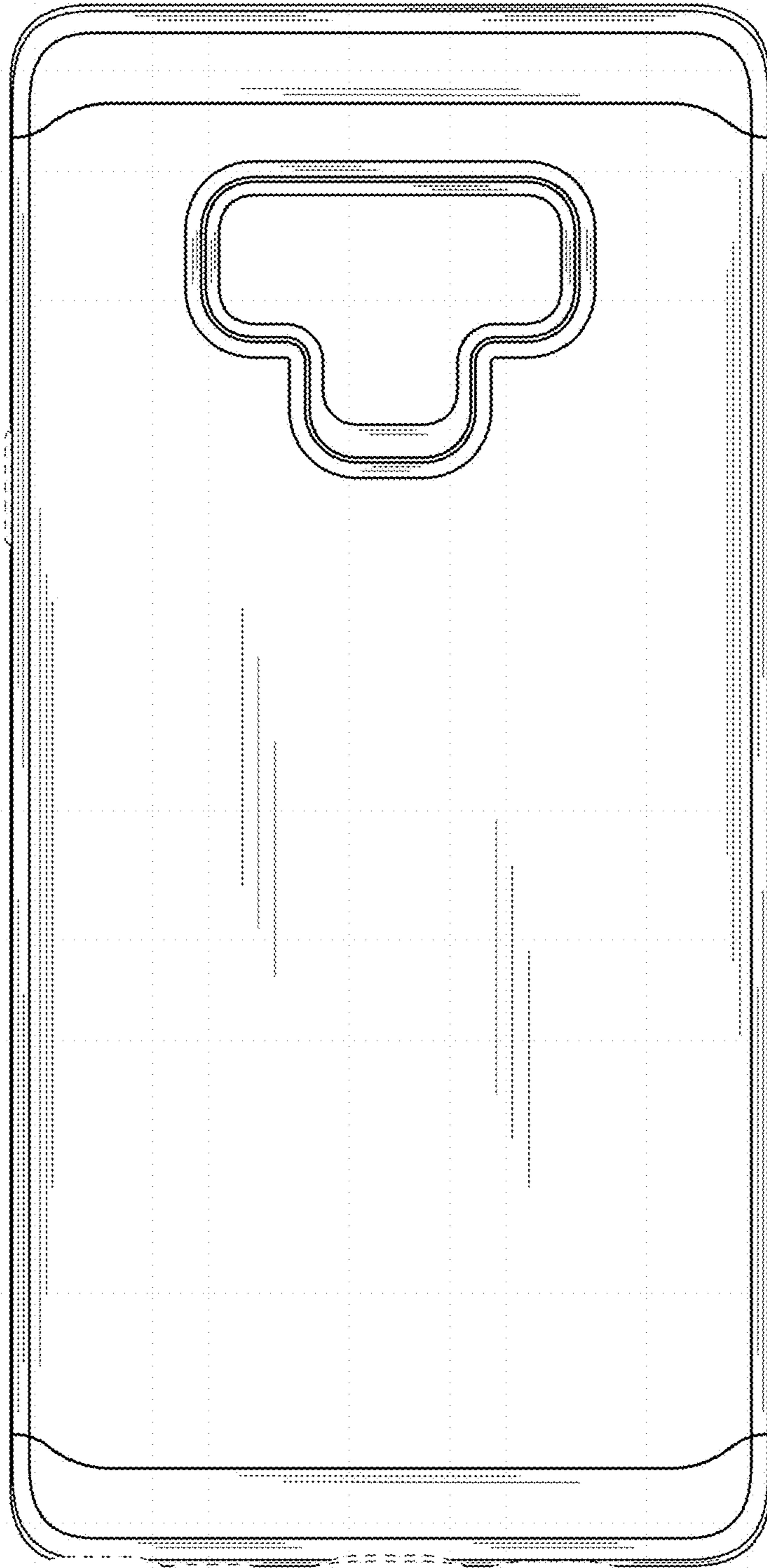




FIG. 5

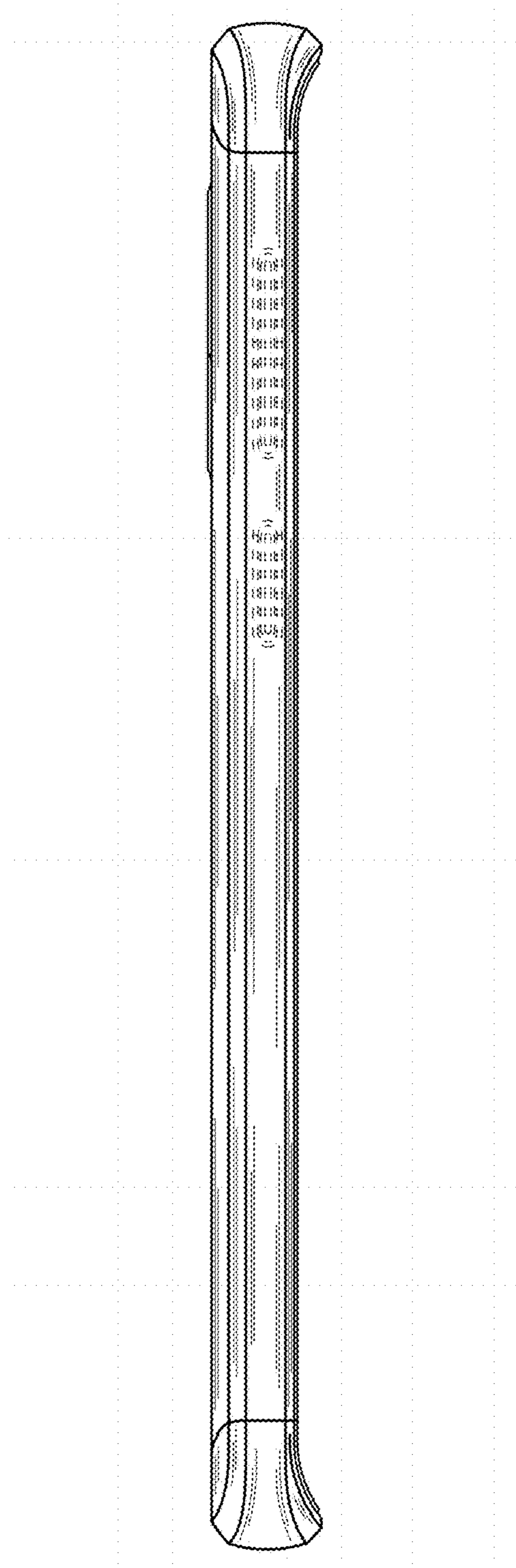


FIG. 6

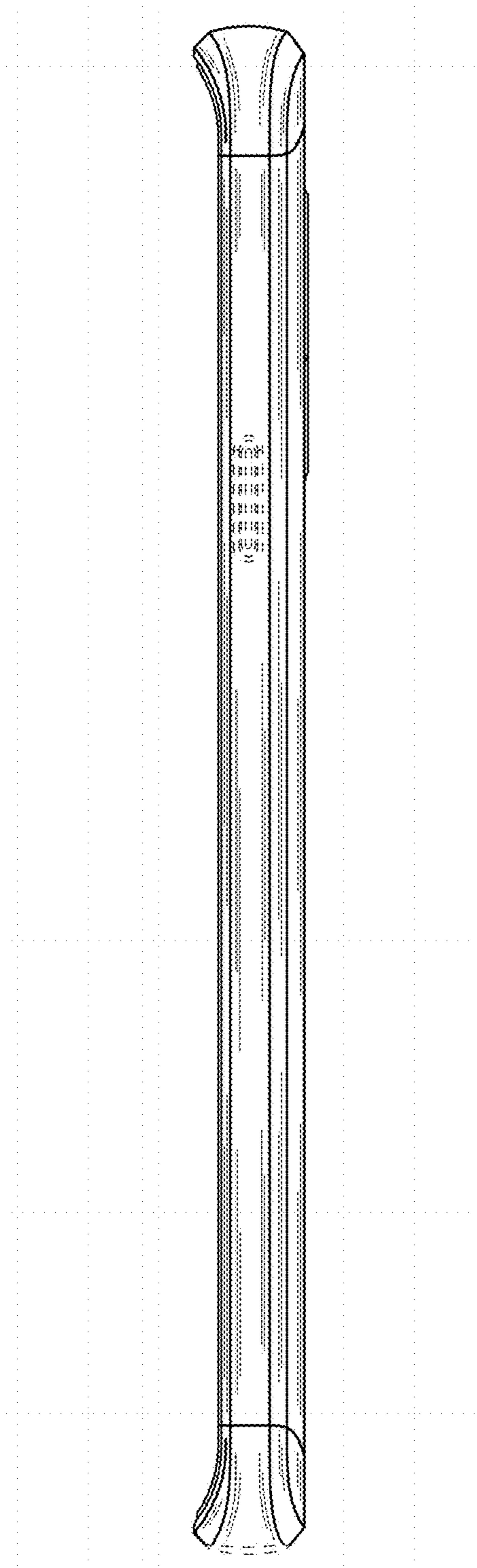


FIG. 7

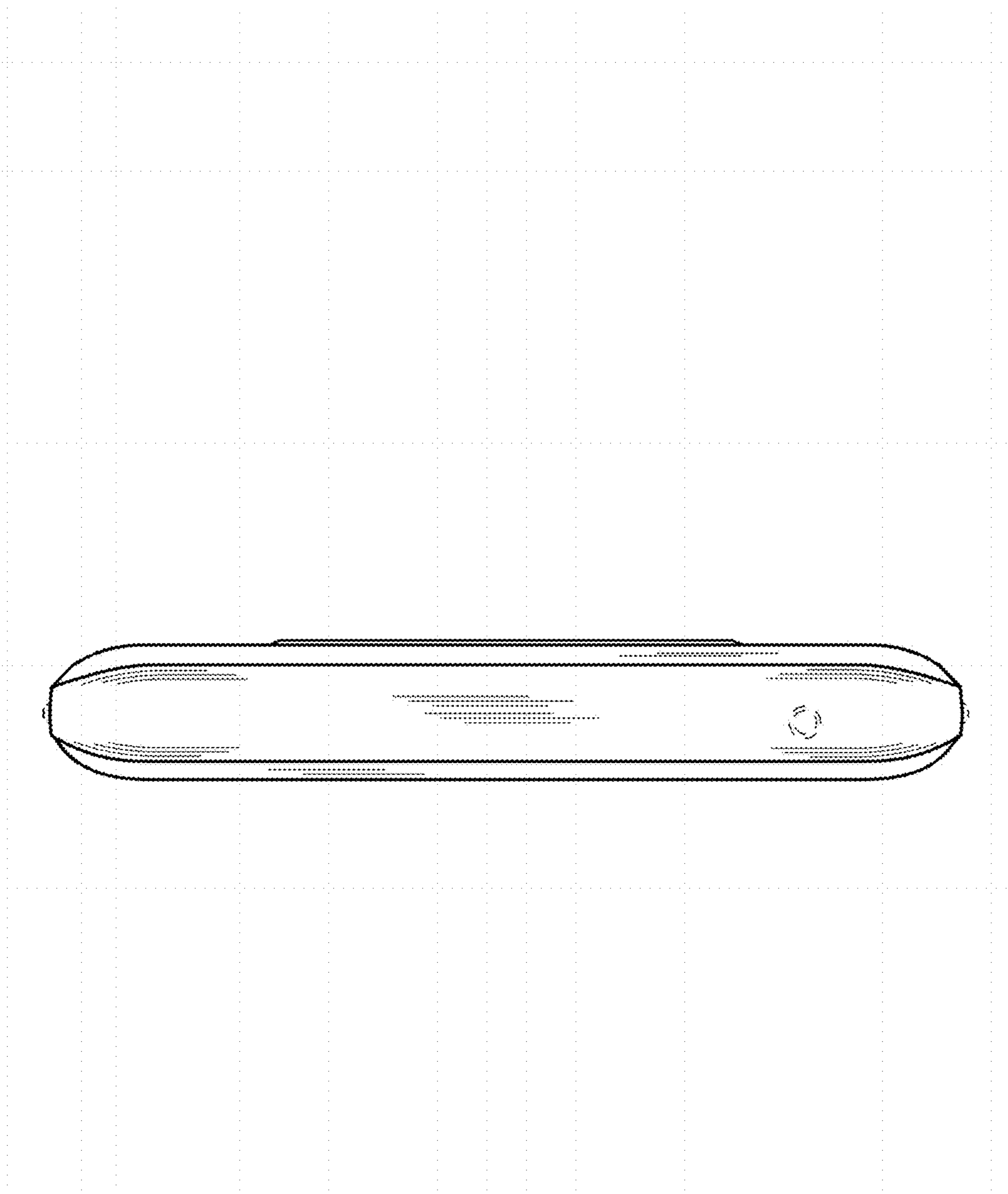


FIG. 8

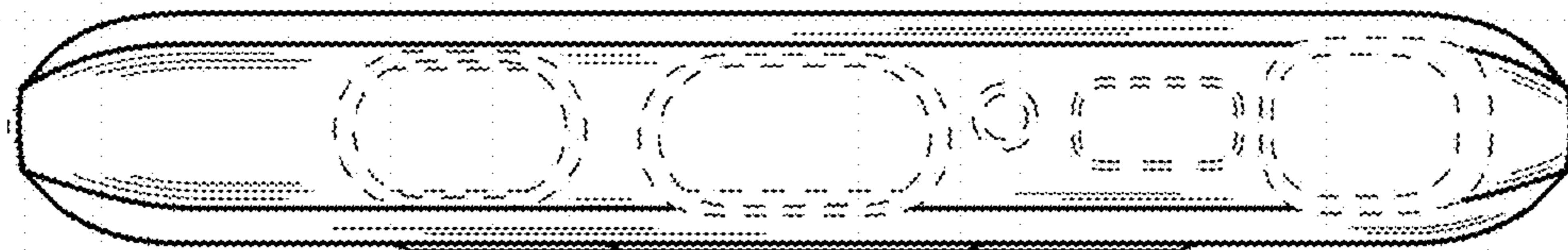


FIG. 9

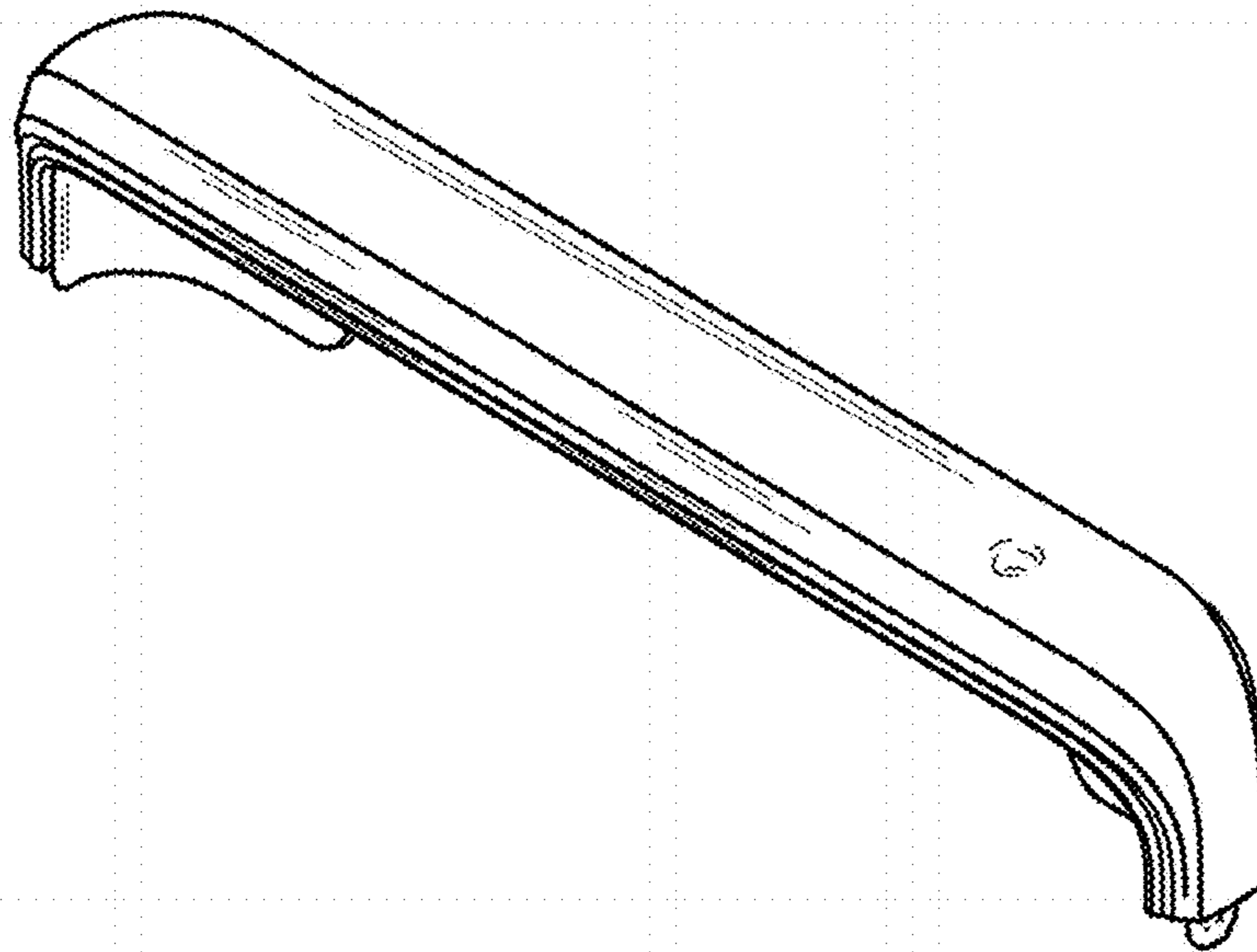


FIG. 10

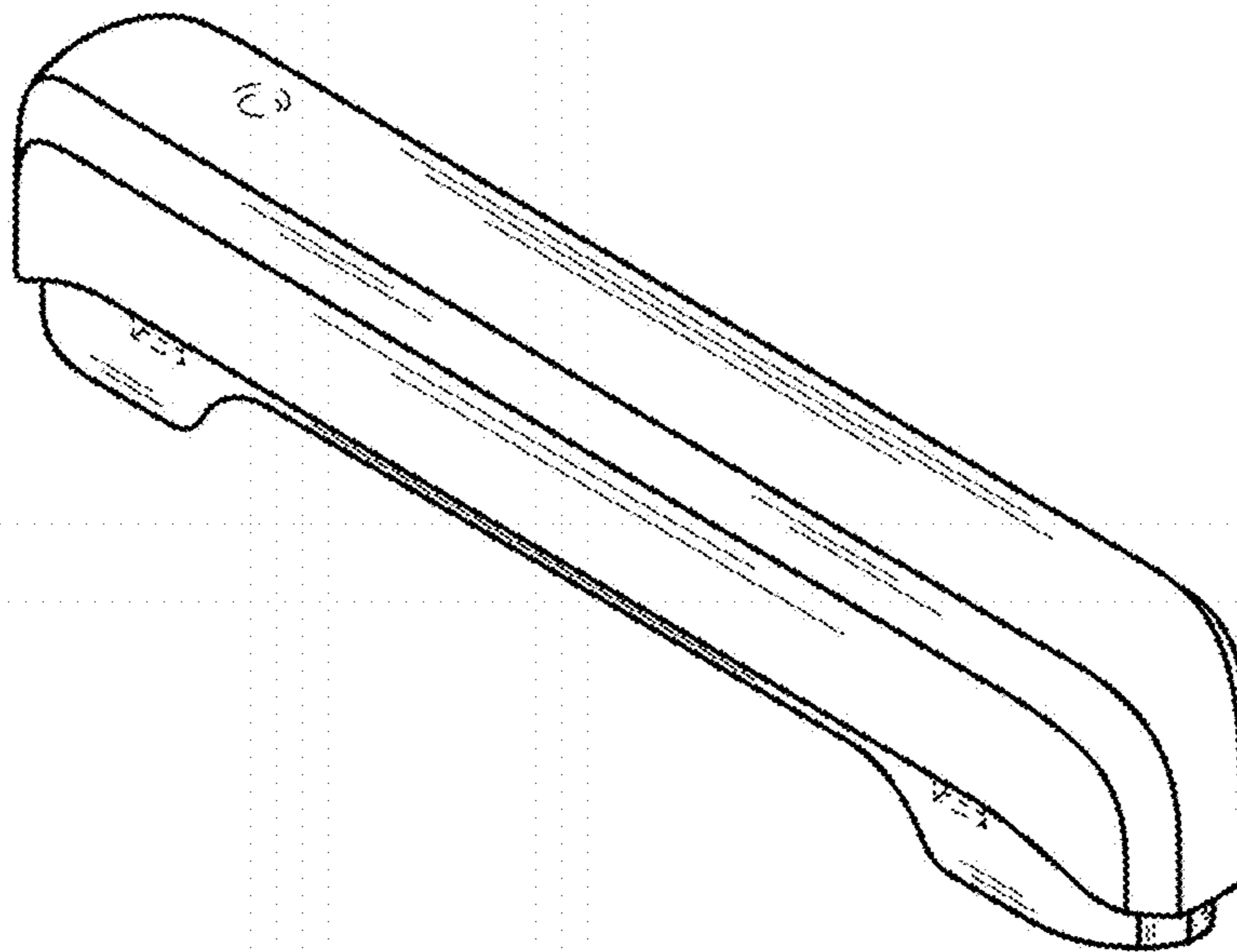


FIG. 11

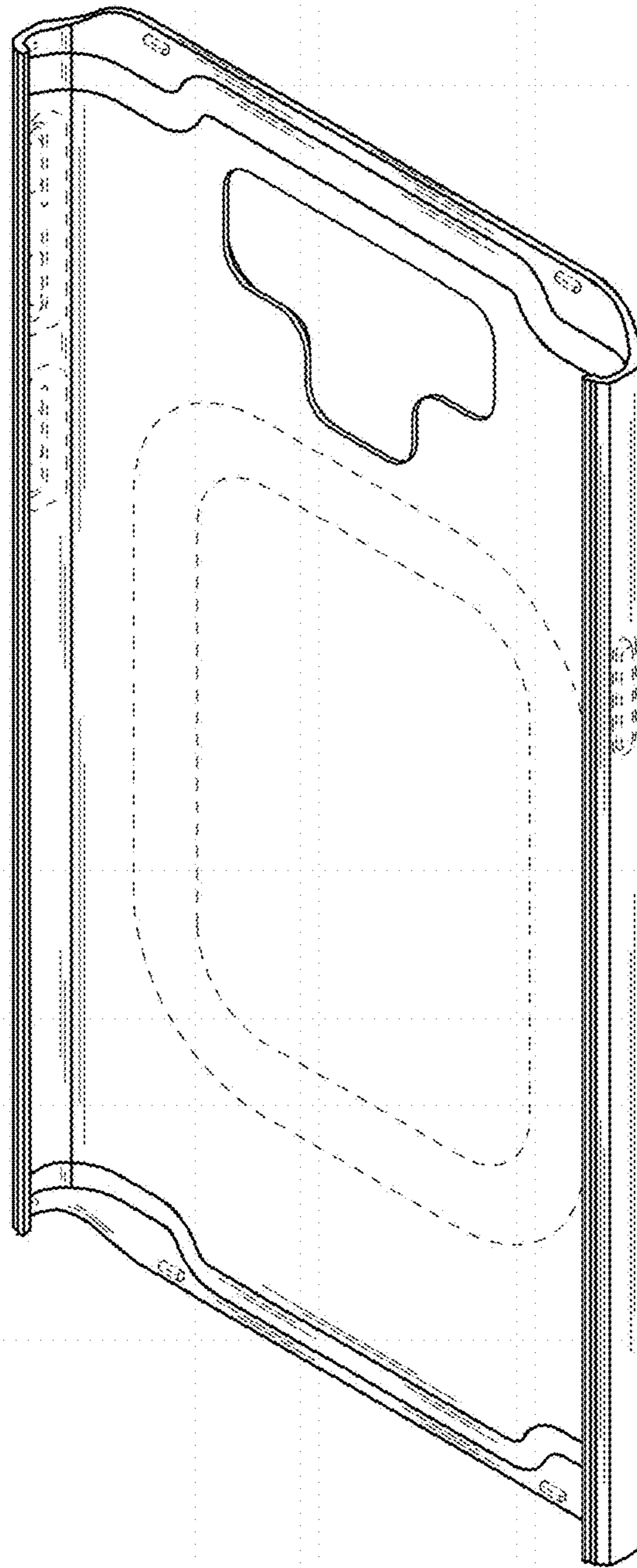


FIG. 12

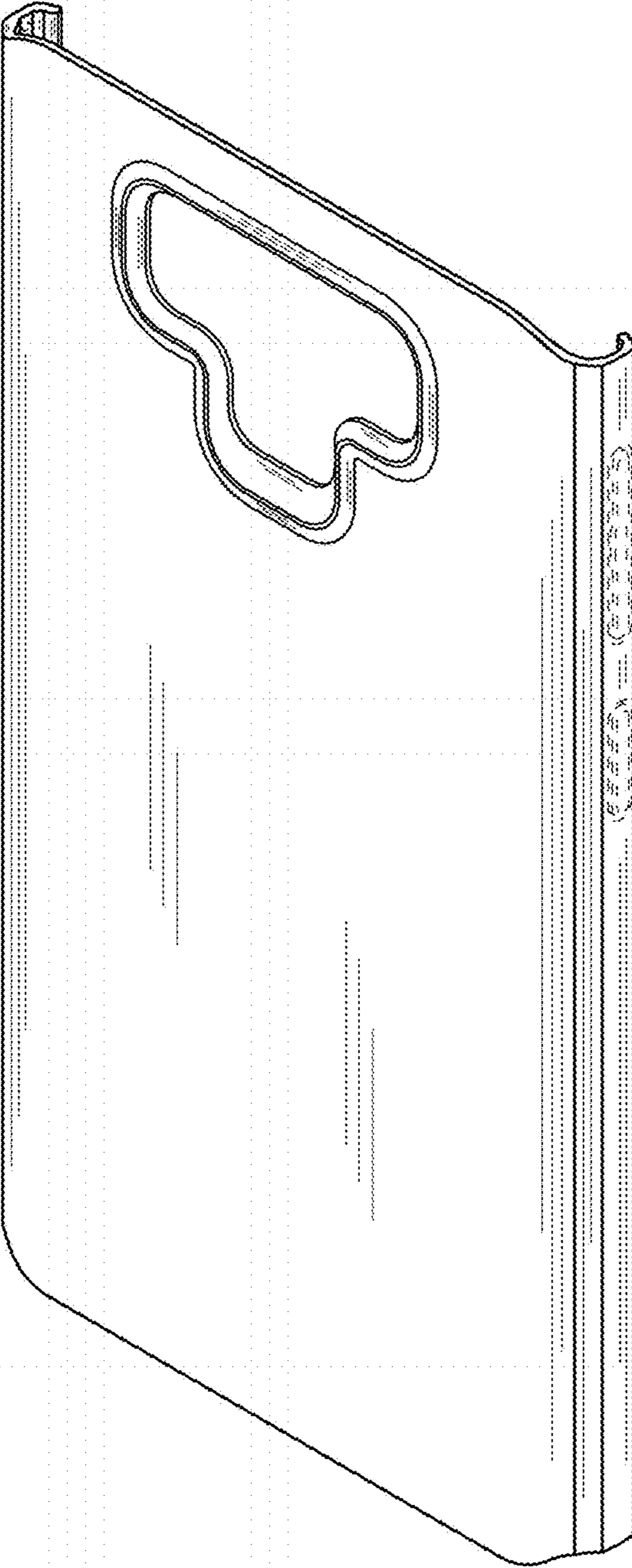




FIG. 13

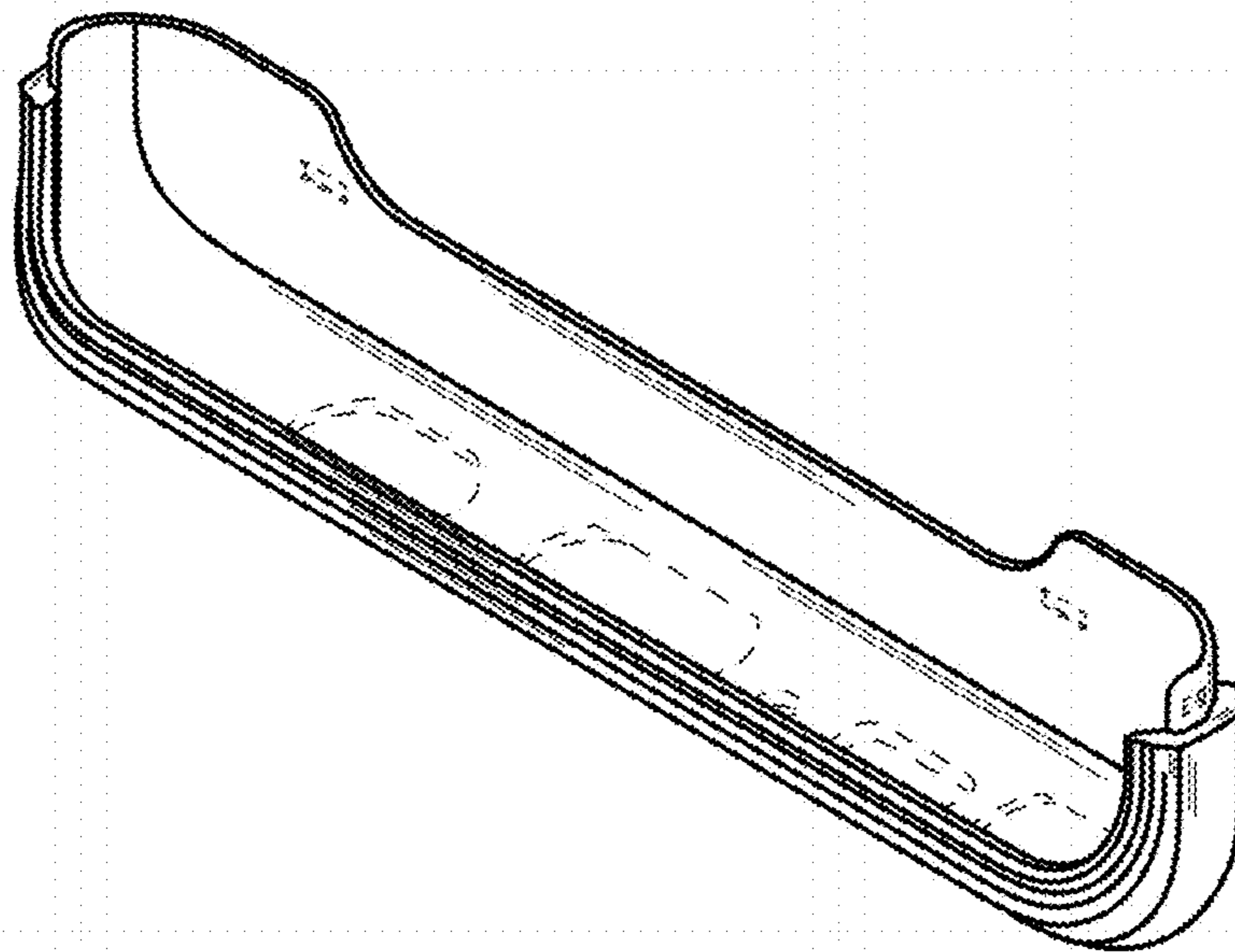


FIG. 14

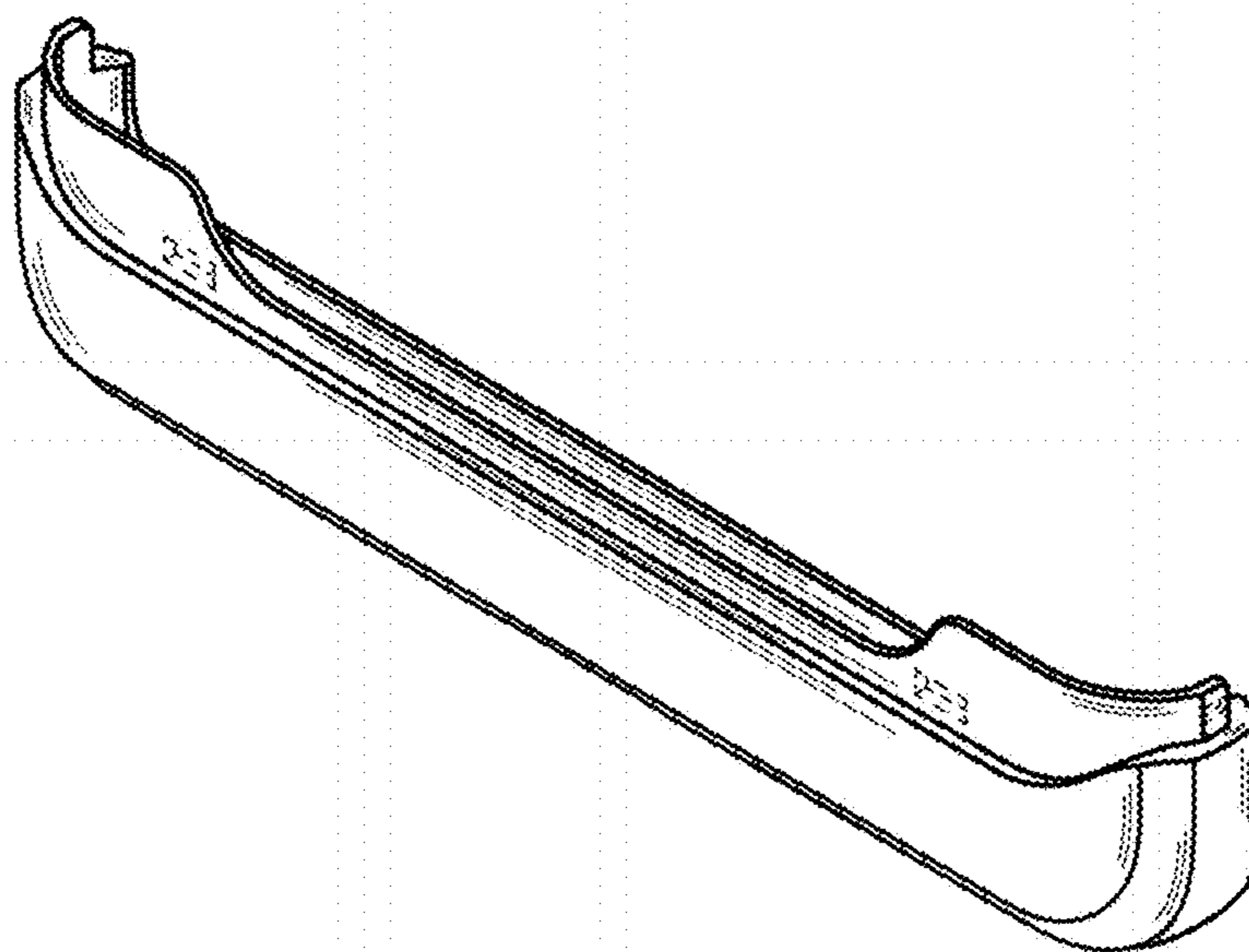


FIG. 15

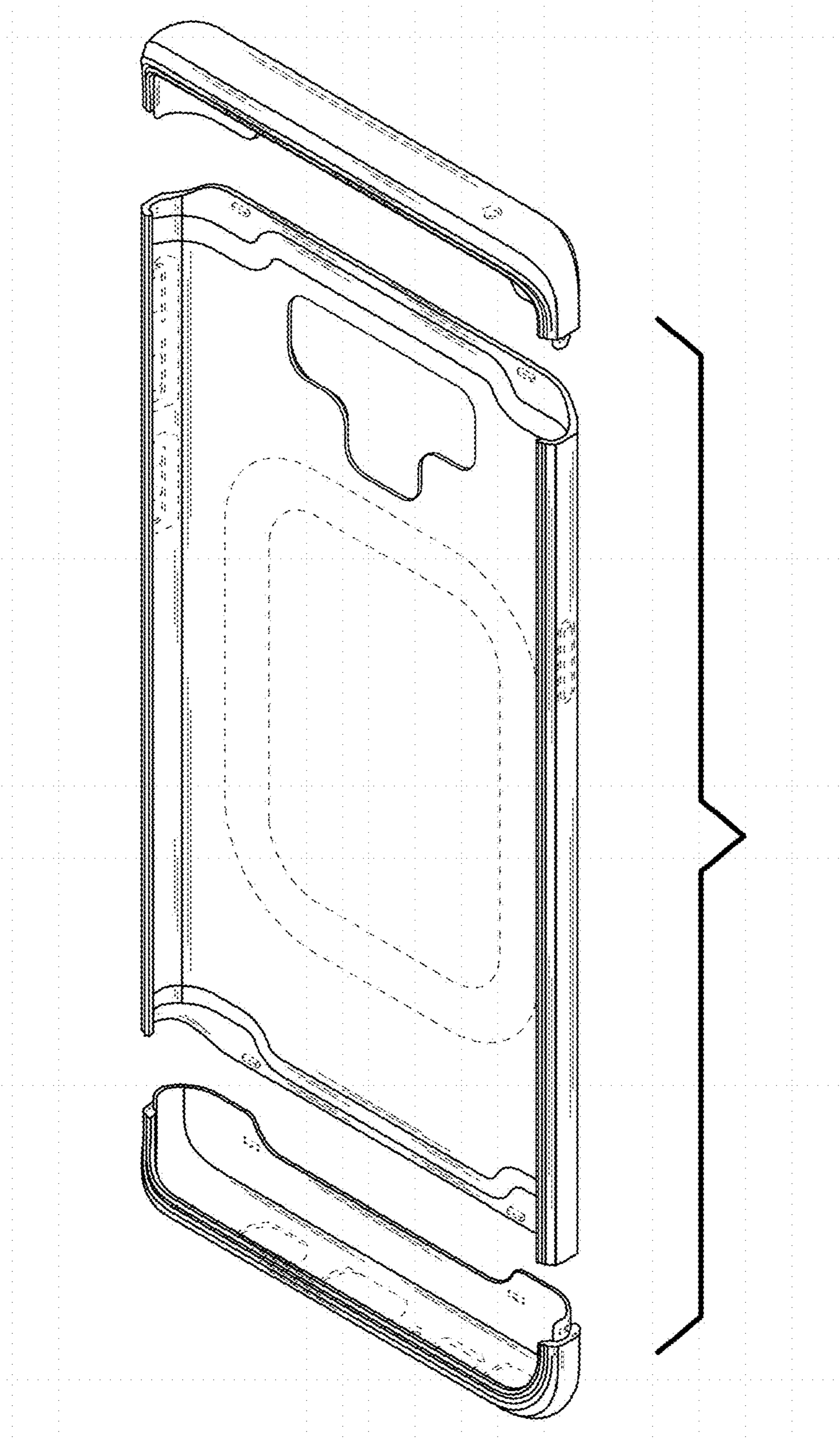


FIG. 16

