



US00D881858S

(12) **United States Design Patent** (10) **Patent No.:** **US D881,858 S**
Ueda et al. (45) **Date of Patent:** **** Apr. 21, 2020**

(54) **TERMINAL FOR WIRELESS COMMUNICATION**
(71) Applicant: **FUJITSU GENERAL LIMITED**,
Kawasaki-shi, Kanagawa (JP)
(72) Inventors: **Akiko Ueda**, Kawasaki (JP); **Hayato Narita**, Kawasaki (JP)
(73) Assignee: **FUJITSU GENERAL LIMITED**,
Kawasaki-shi, Kanagawa (JP)
(**) Term: **15 Years**

(21) Appl. No.: **29/671,851**
(22) Filed: **Nov. 30, 2018**
(30) **Foreign Application Priority Data**

Jun. 1, 2018 (JP) 2018-012135

(51) **LOC (12) Cl.** **14-03**
(52) **U.S. Cl.**
USPC **D14/240**

(58) **Field of Classification Search**
USPC D14/240, 242, 357, 358, 155, 125, 126,
D14/137, 139, 243, 348, 349, 351, 354,
D14/355, 435.1, 204, 214, 215, 216
CPC . H04L 12/66; H04L 63/0853; H04L 63/0272;
H04L 63/083; H04L 63/105; H05K 7/20;
H05K 7/20154
See application file for complete search history.

(56) **References Cited**
U.S. PATENT DOCUMENTS

D293,771 S * 1/1988 Savage D10/75
D535,281 S * 1/2007 Yang D14/203.3

D549,190 S * 8/2007 Paradise D14/125
D565,571 S * 4/2008 Trifilio D14/356
D580,920 S * 11/2008 Wikel D14/240
D660,828 S * 5/2012 Petsch D14/240
D678,258 S * 3/2013 Seto D14/240
D696,651 S * 12/2013 Ohashi D14/240
D696,652 S * 12/2013 Ohashi D14/240
D705,202 S * 5/2014 Silva D14/240
D836,092 S * 12/2018 Erbacher D14/242

* cited by examiner

Primary Examiner — Bridget L Eland

(74) *Attorney, Agent, or Firm* — Sughrue Mion, PLLC

(57) **CLAIM**

The ornamental design for a terminal for wireless communication, as shown and described.

DESCRIPTION

FIG. 1 is a first perspective view of the front, bottom and left side a terminal for wireless communication showing our new design;

FIG. 2 is a second perspective view of the rear, top and right side view thereof;

FIG. 3 is a front view thereof;

FIG. 4 is a rear view thereof;

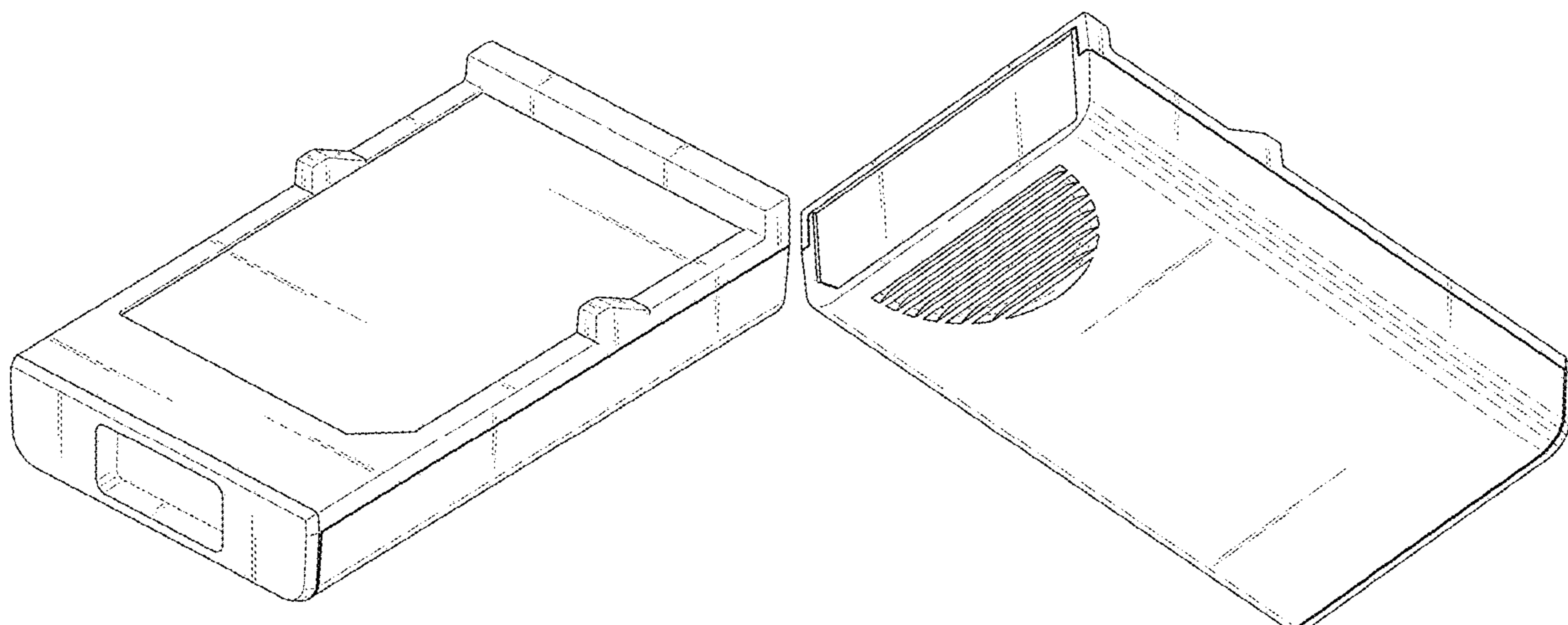
FIG. 5 is a left side view thereof;

FIG. 6 is a right side view thereof; and,

FIG. 7 is a top view thereof, a bottom view being a mirror image thereof.

The broken lines shown are included for the purpose of illustrating the unclaimed portions of the terminal for wireless communication and form no part of the claimed design.

1 Claim, 6 Drawing Sheets



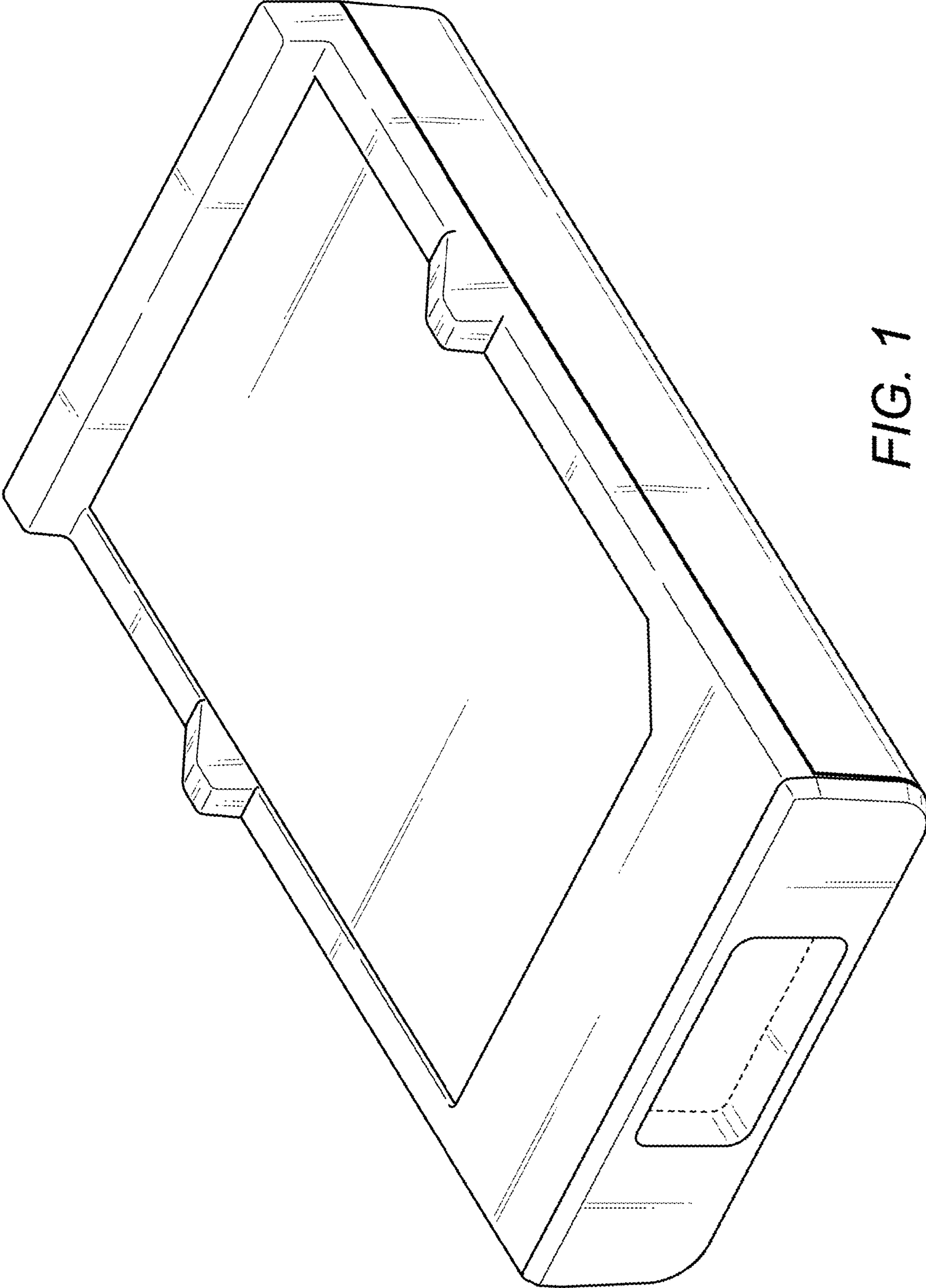


FIG. 1

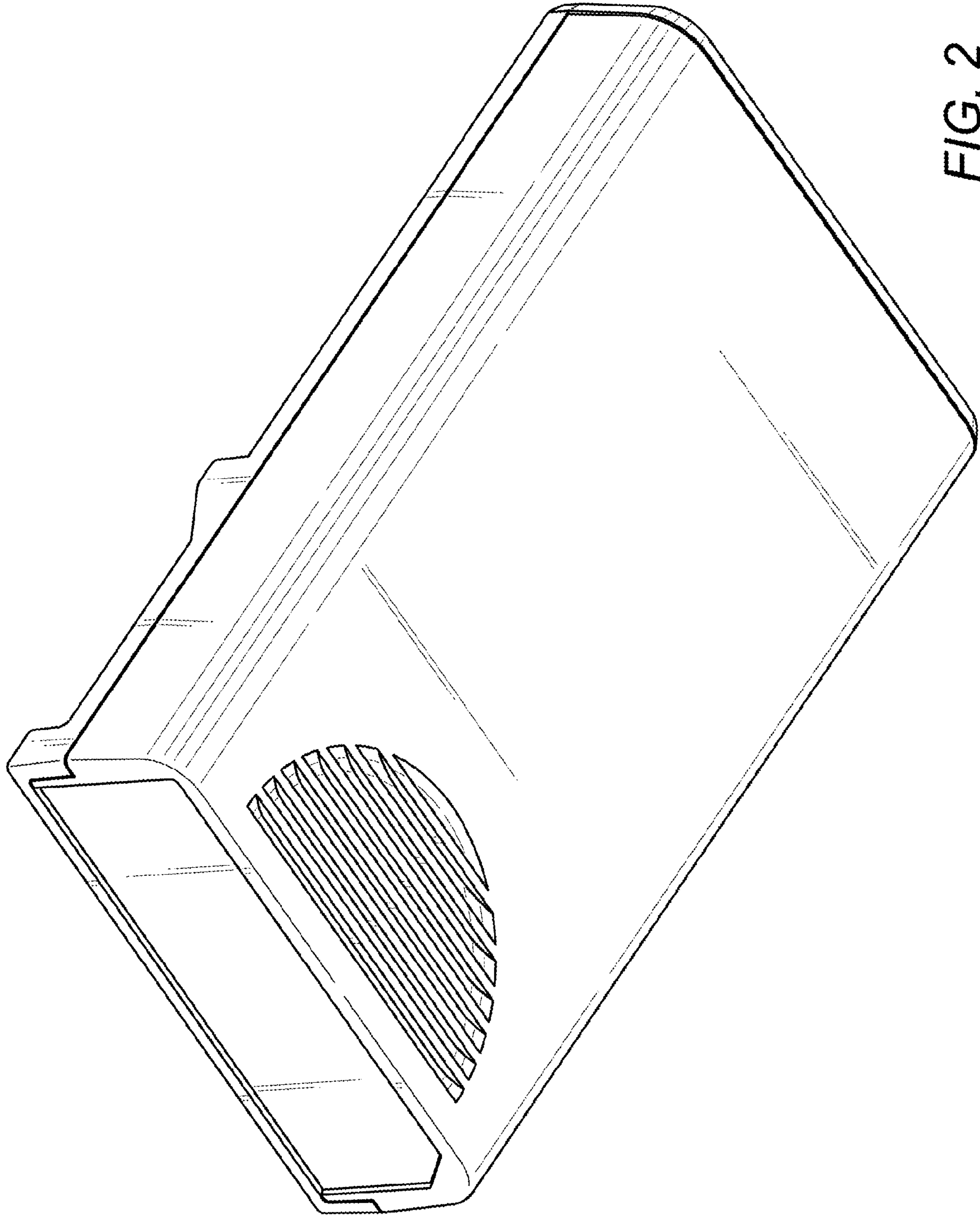


FIG. 2

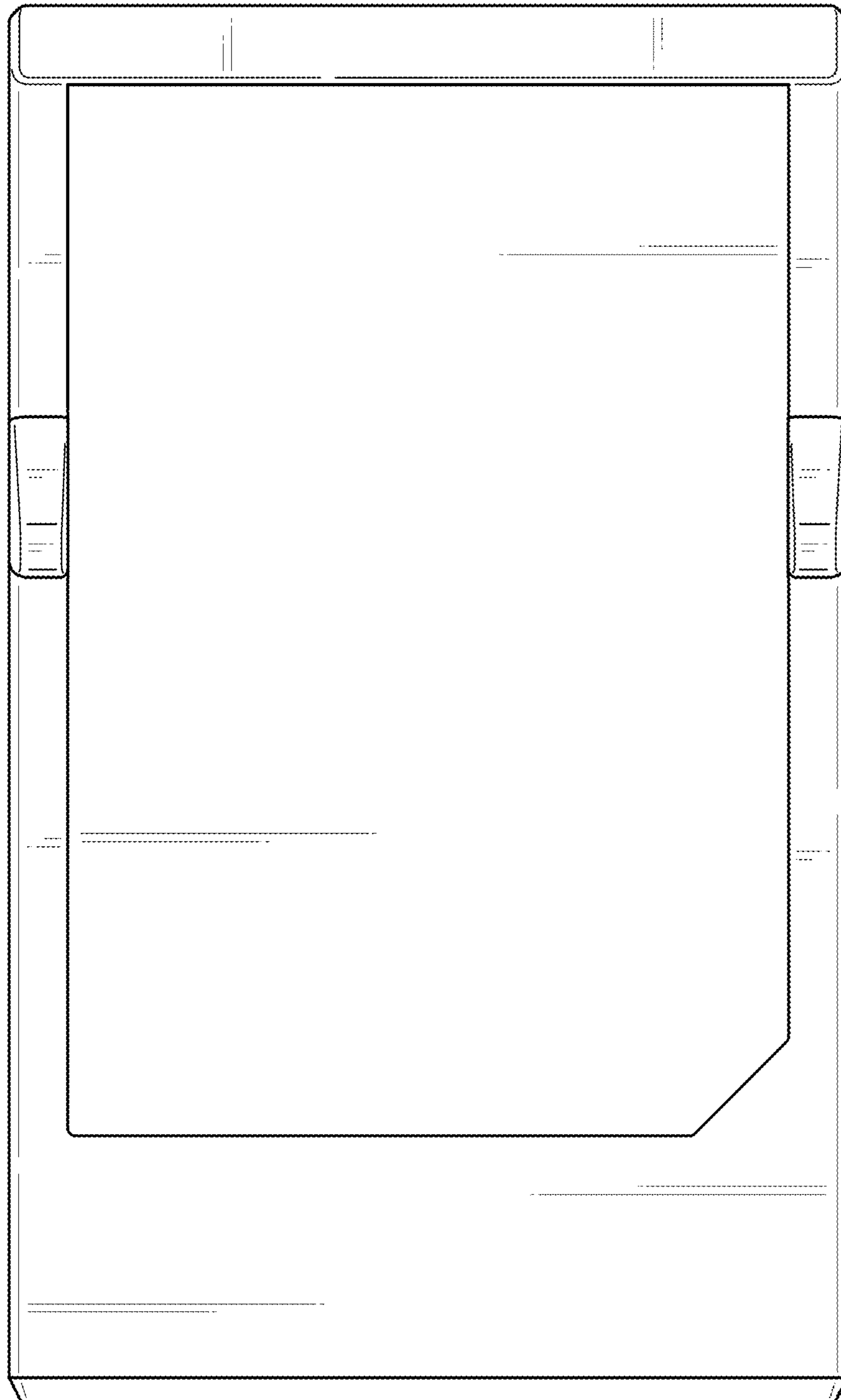


FIG. 3

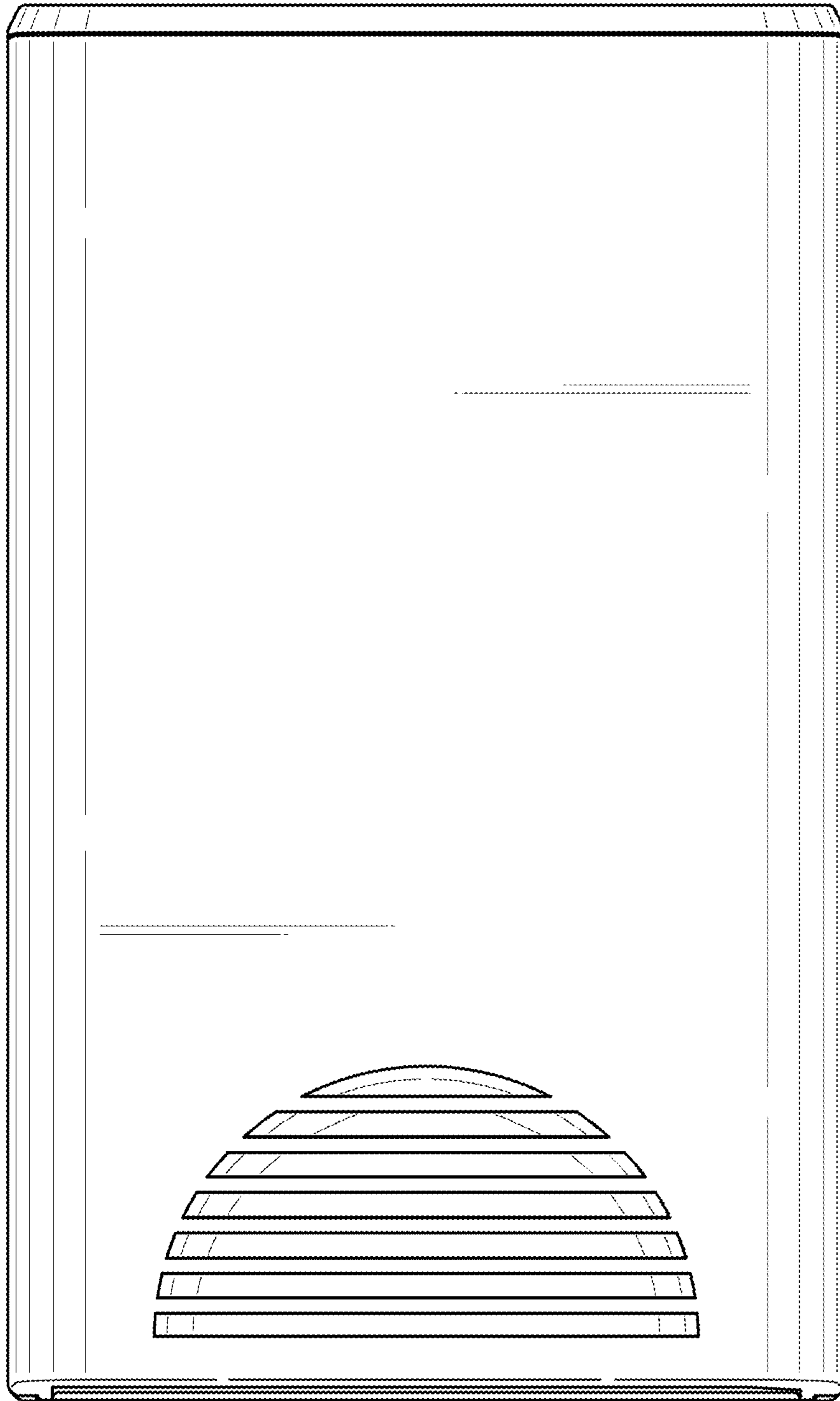


FIG. 4

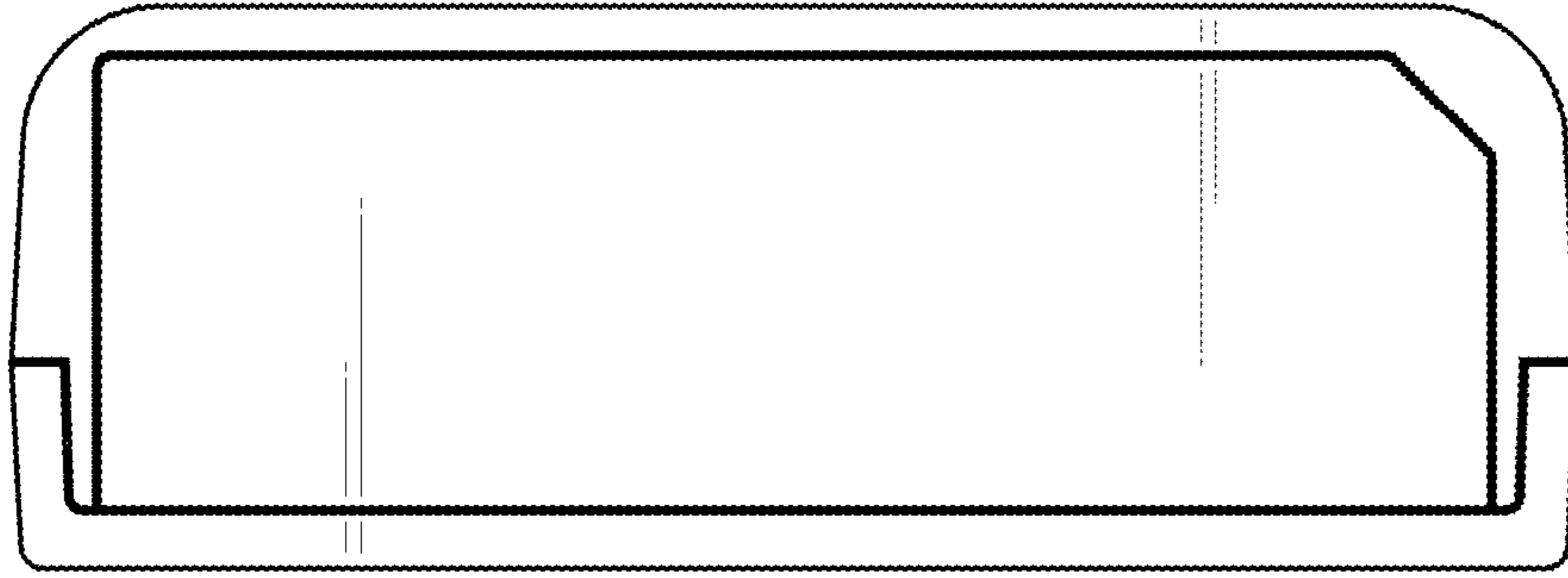


FIG. 6

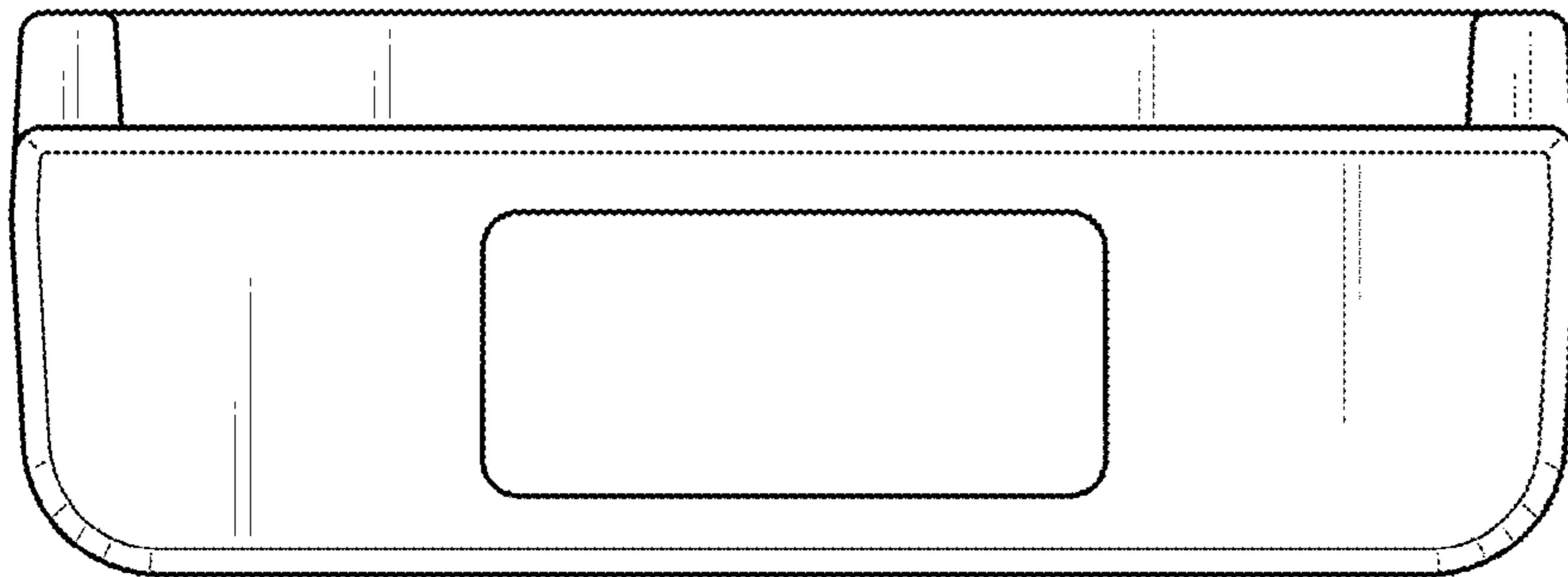


FIG. 5

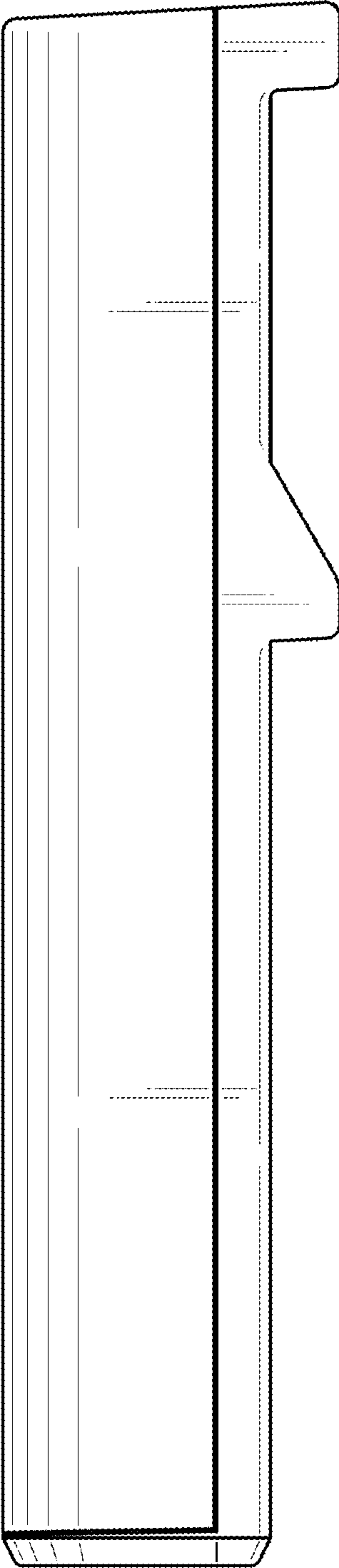


FIG. 7