



US00D881857S

(12) **United States Design Patent**  
**Fidler**

(10) **Patent No.:** **US D881,857 S**  
(45) **Date of Patent:** **\*\* Apr. 21, 2020**

- (54) **ANTENNA BASE**
- (71) Applicant: **Furrion Property Holding Limited,**  
Hong Kong (HK)
- (72) Inventor: **Matthew David Fidler,** Hong Kong  
(HK)
- (73) Assignee: **Furrion Property Holding Limited,**  
Hong Kong (HK)
- (\*\*) Term: **15 Years**
- (21) Appl. No.: **29/644,343**
- (22) Filed: **Apr. 17, 2018**
- (51) **LOC (12) Cl.** ..... **14-03**
- (52) **U.S. Cl.**  
USPC ..... **D14/238**
- (58) **Field of Classification Search**  
USPC ..... D14/238, 230, 237; D8/356, 373, 354  
CPC ..... H01Q 1/50; H01Q 1/3275  
See application file for complete search history.

- D581,909 S \* 12/2008 Jeong ..... D14/230
- 7,646,351 B2 \* 1/2010 Wang ..... H01Q 1/3275  
343/713
- D728,573 S \* 5/2015 Deng ..... D14/409
- D826,219 S \* 8/2018 Kobayashi ..... D14/230
- D834,006 S \* 11/2018 Burke ..... D14/238
- 2006/0227057 A1 \* 10/2006 Lu ..... H01Q 1/3275  
343/713

\* cited by examiner

*Primary Examiner* — Keli L Hill

*Assistant Examiner* — Harold E Blackwell, II

(74) *Attorney, Agent, or Firm* — Faegre Drinker Biddle & Reath LLP

(57) **CLAIM**

The ornamental design for an antenna base, as shown and described.

**DESCRIPTION**

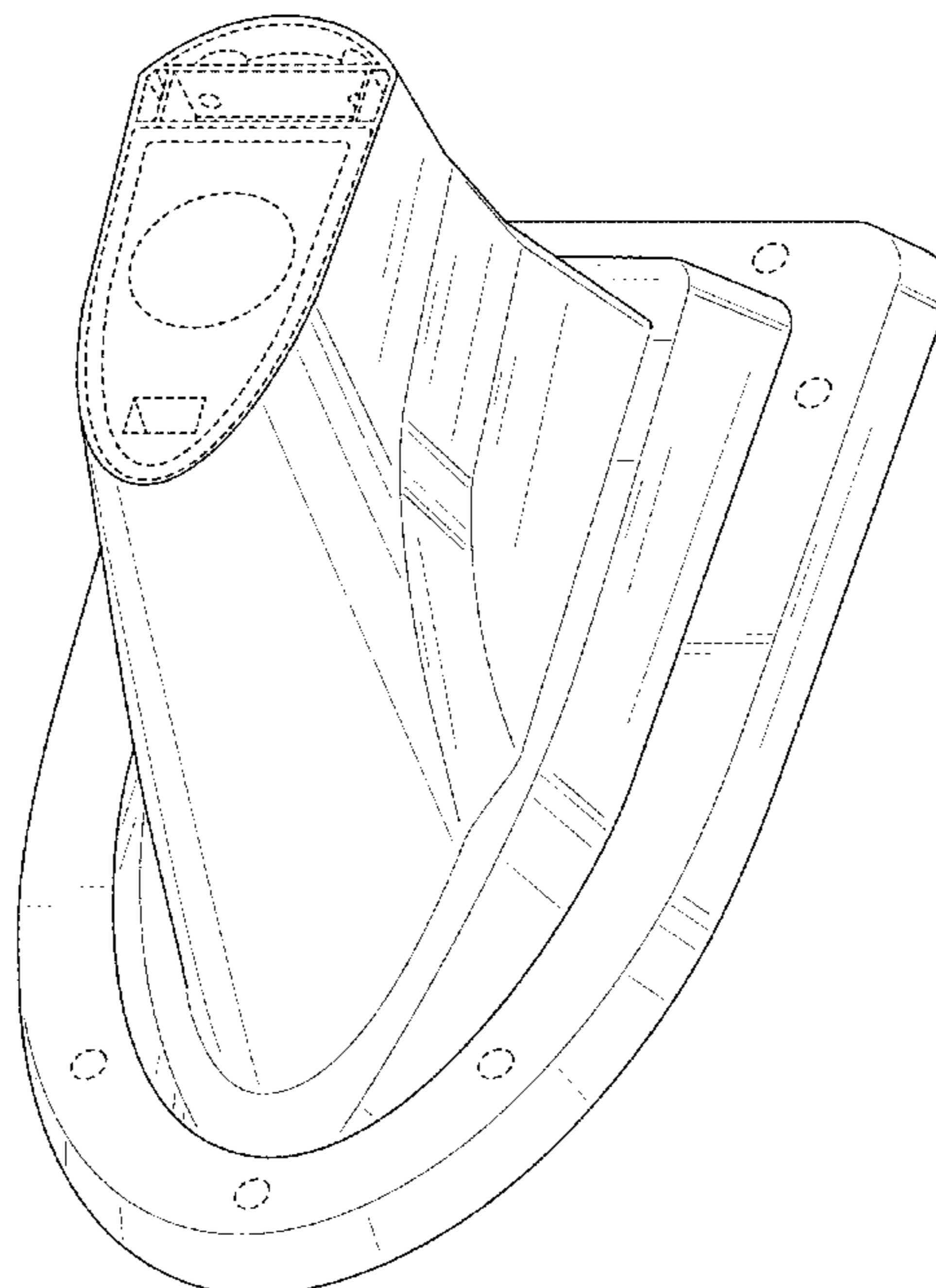
FIG. 1 is a front perspective view of an antenna base illustrating my new design;  
 FIG. 2 is a front view thereof;  
 FIG. 3 is a rear view thereof;  
 FIG. 4 is a left side view thereof;  
 FIG. 5 is a right side view thereof;  
 FIG. 6 is a top view thereof;  
 FIG. 7 is a bottom view thereof; and,  
 FIG. 8 is a front perspective view of the antenna base coupled to an optional antenna.  
 In FIGS. 1-8, evenly-sized broken lines illustrate features that form no part of the claimed design. In FIG. 8, long-short broken lines illustrate an optional environment of an antenna that forms no part of the claimed design.

**1 Claim, 8 Drawing Sheets**

(56) **References Cited**

**U.S. PATENT DOCUMENTS**

- D118,160 S \* 12/1939 Kopanski ..... D14/234
- 2,468,391 A \* 4/1949 Cejka ..... H01Q 1/1214  
174/153 A
- D212,002 S \* 8/1968 Rogers ..... D14/238
- D245,778 S \* 9/1977 Langner ..... D14/230
- D320,602 S \* 10/1991 Wells ..... D14/238
- D334,570 S \* 4/1993 Wingard ..... D14/238
- D401,245 S \* 11/1998 Benn ..... D14/238
- D443,263 S \* 6/2001 Strand ..... D14/230
- D470,131 S \* 2/2003 Noro ..... D14/230
- 6,680,706 B2 \* 1/2004 Loftus, Jr. .... H01Q 1/005  
343/715
- D519,991 S \* 5/2006 Chapman ..... D14/230



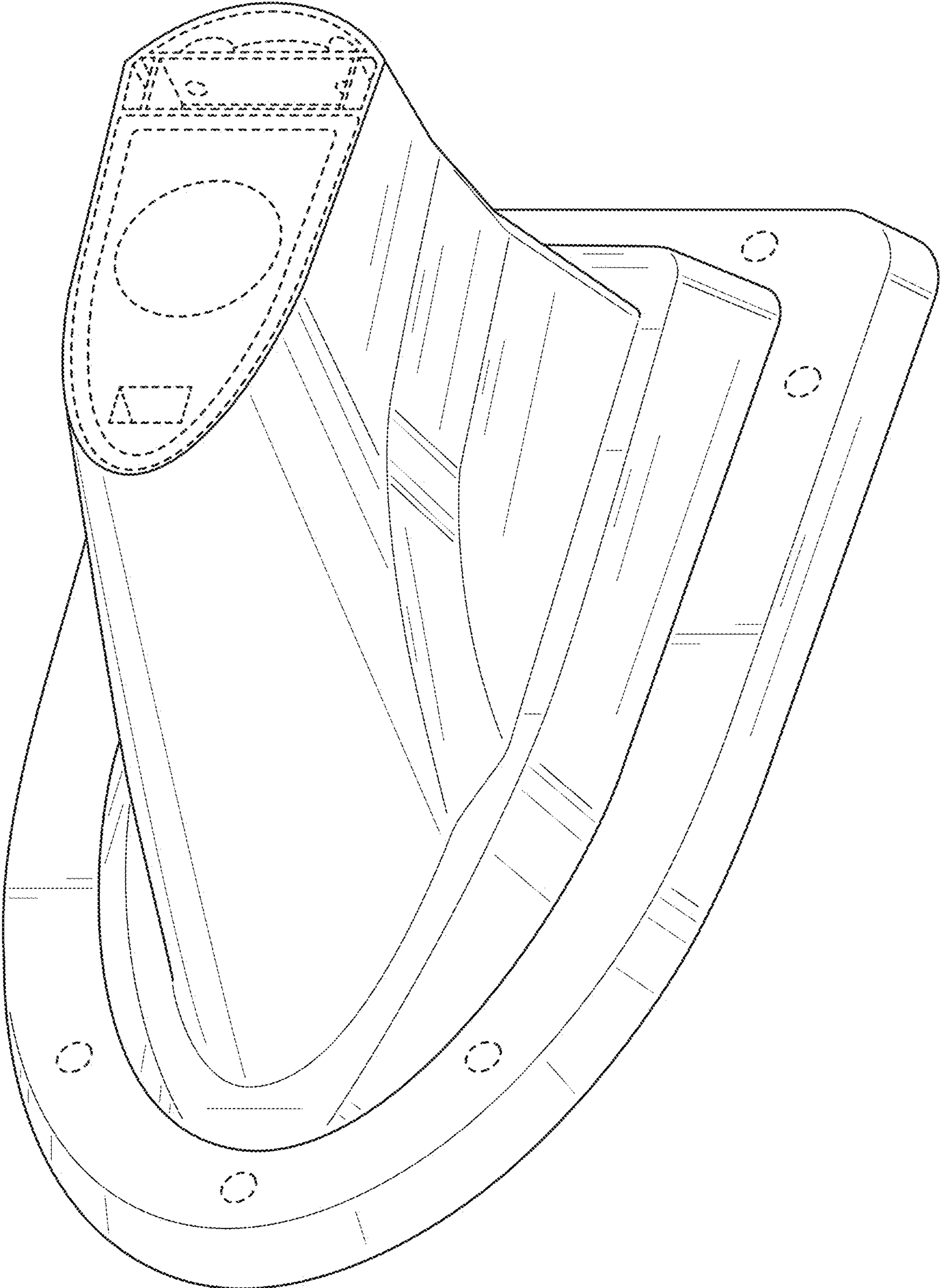


FIG. 1

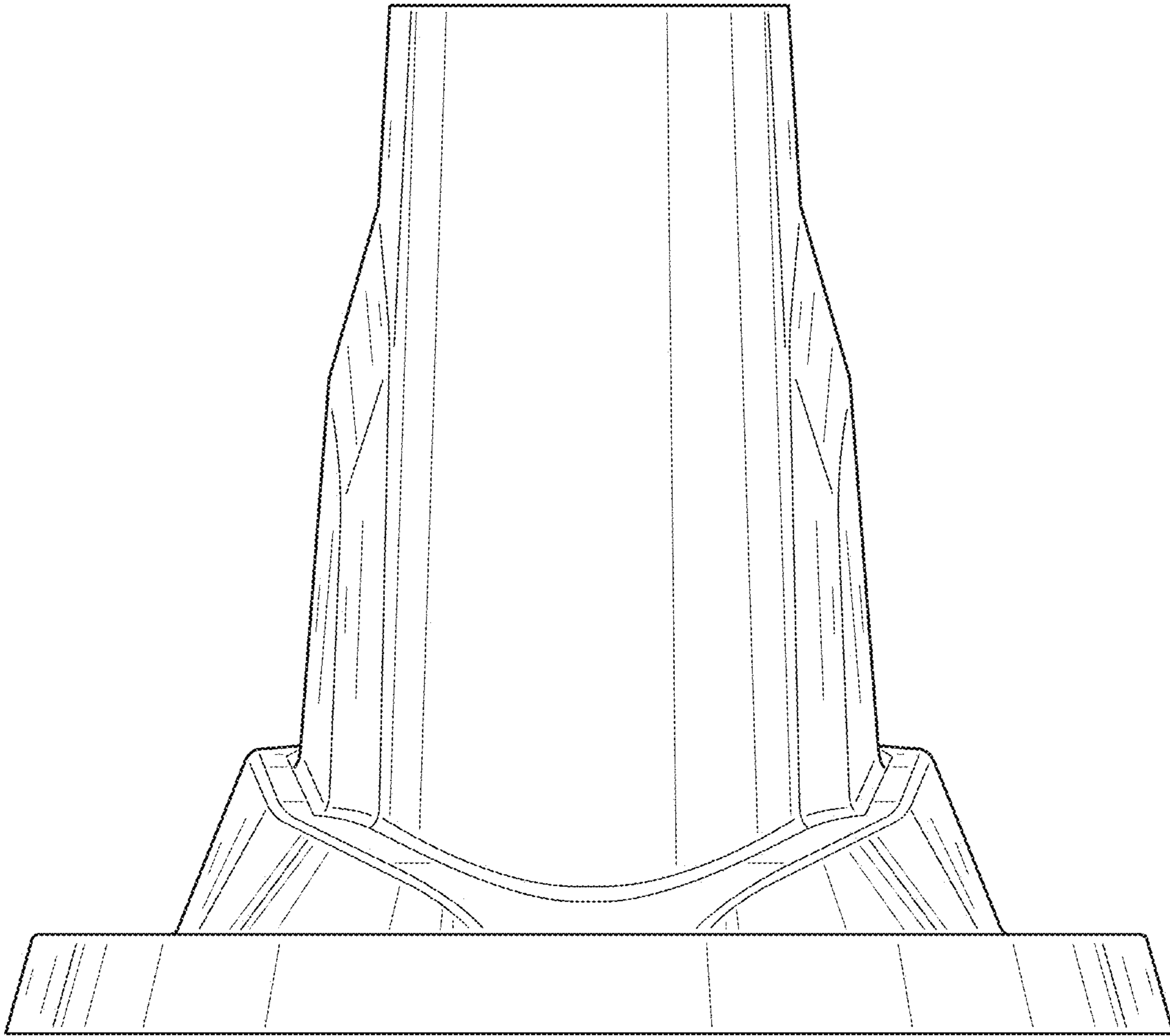


FIG. 2

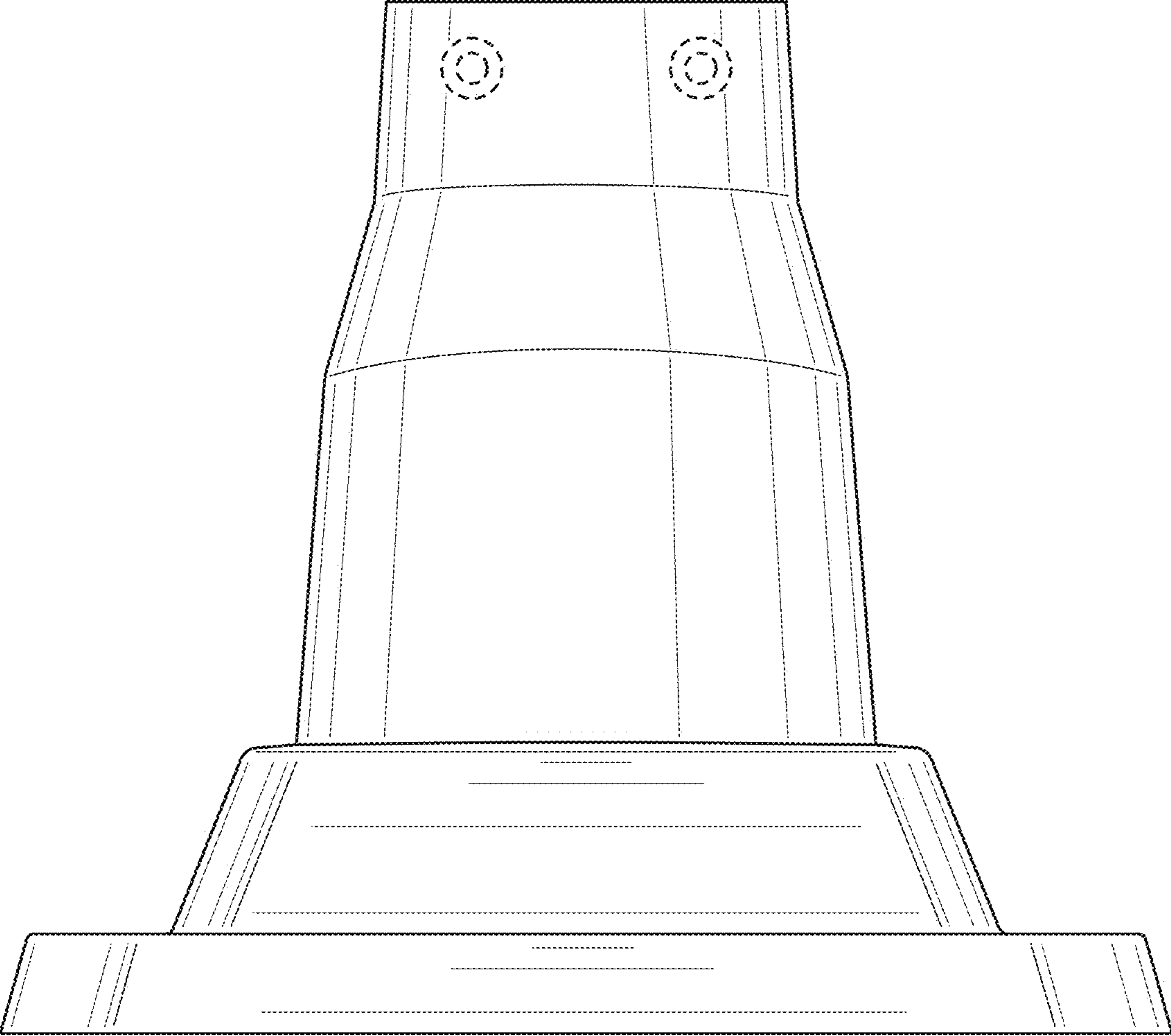


FIG. 3

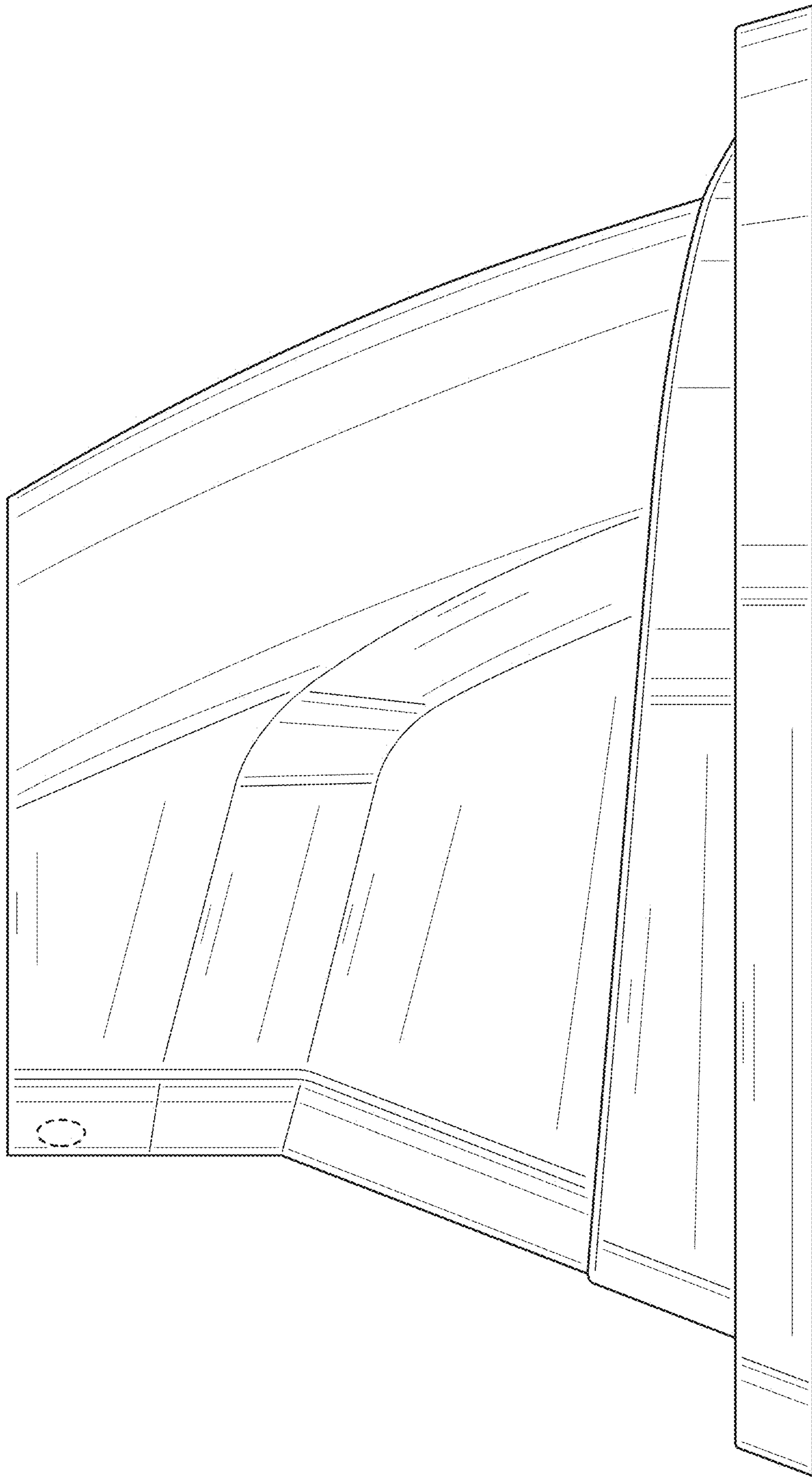


FIG. 4

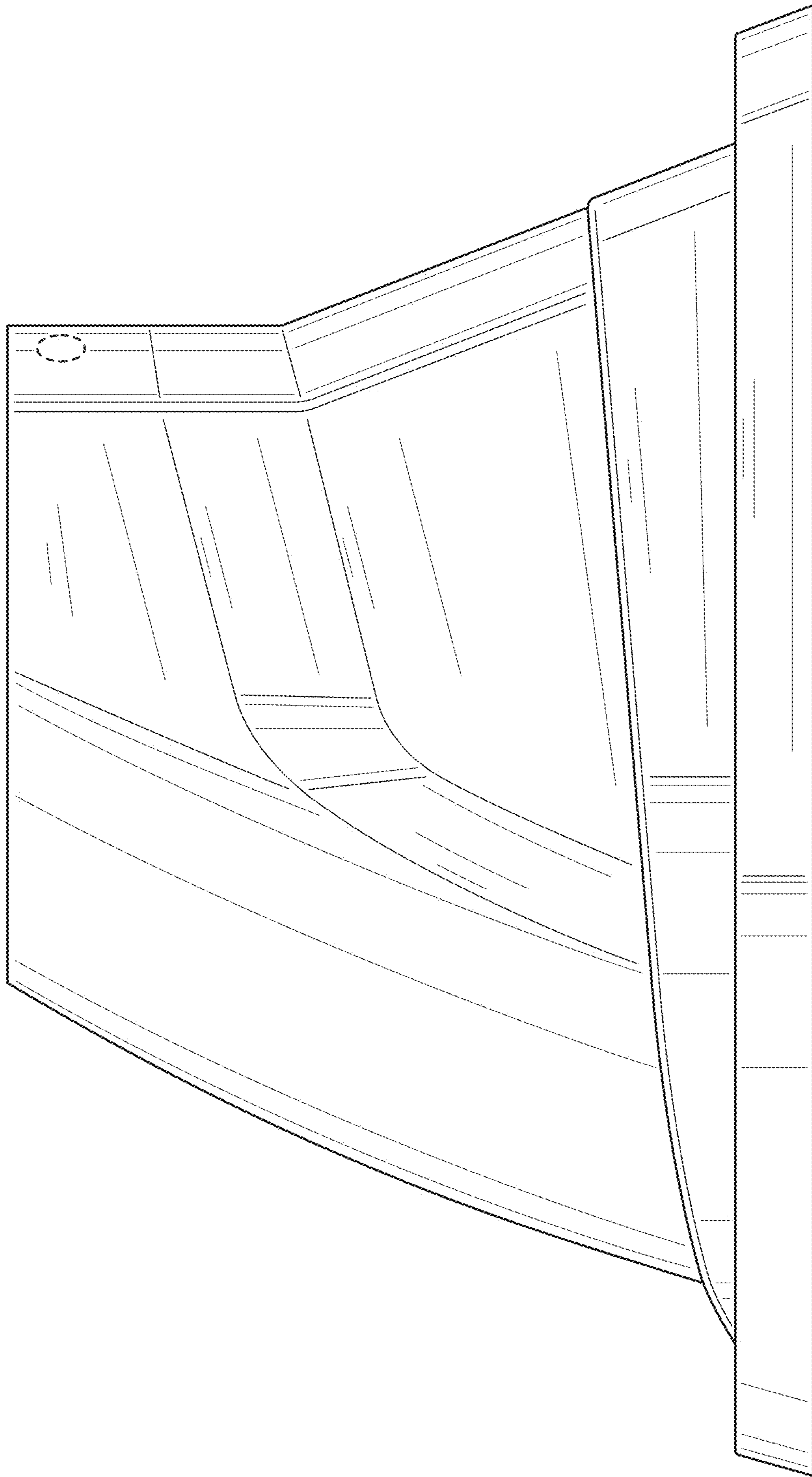


FIG. 5

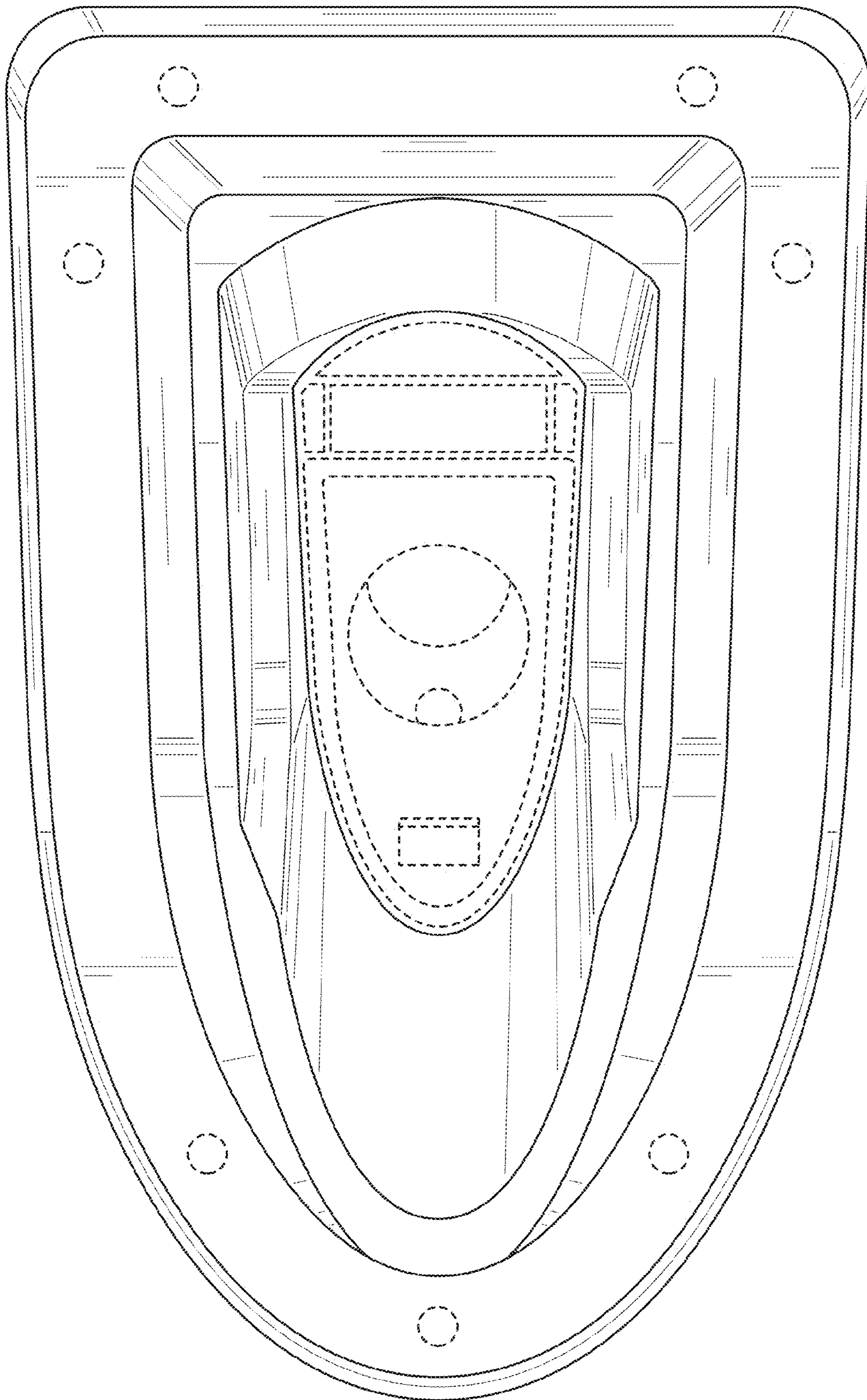


FIG. 6

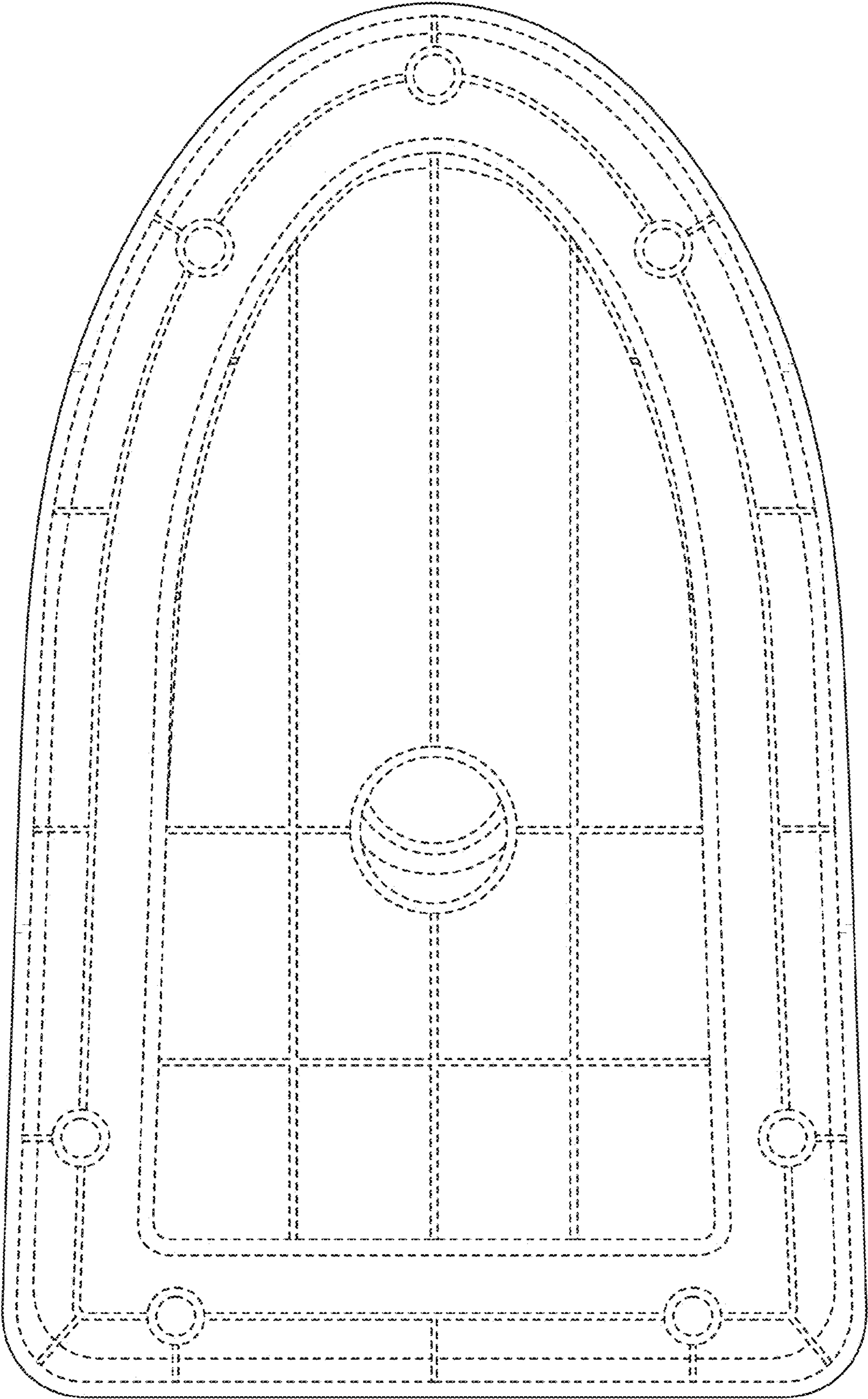


FIG. 7



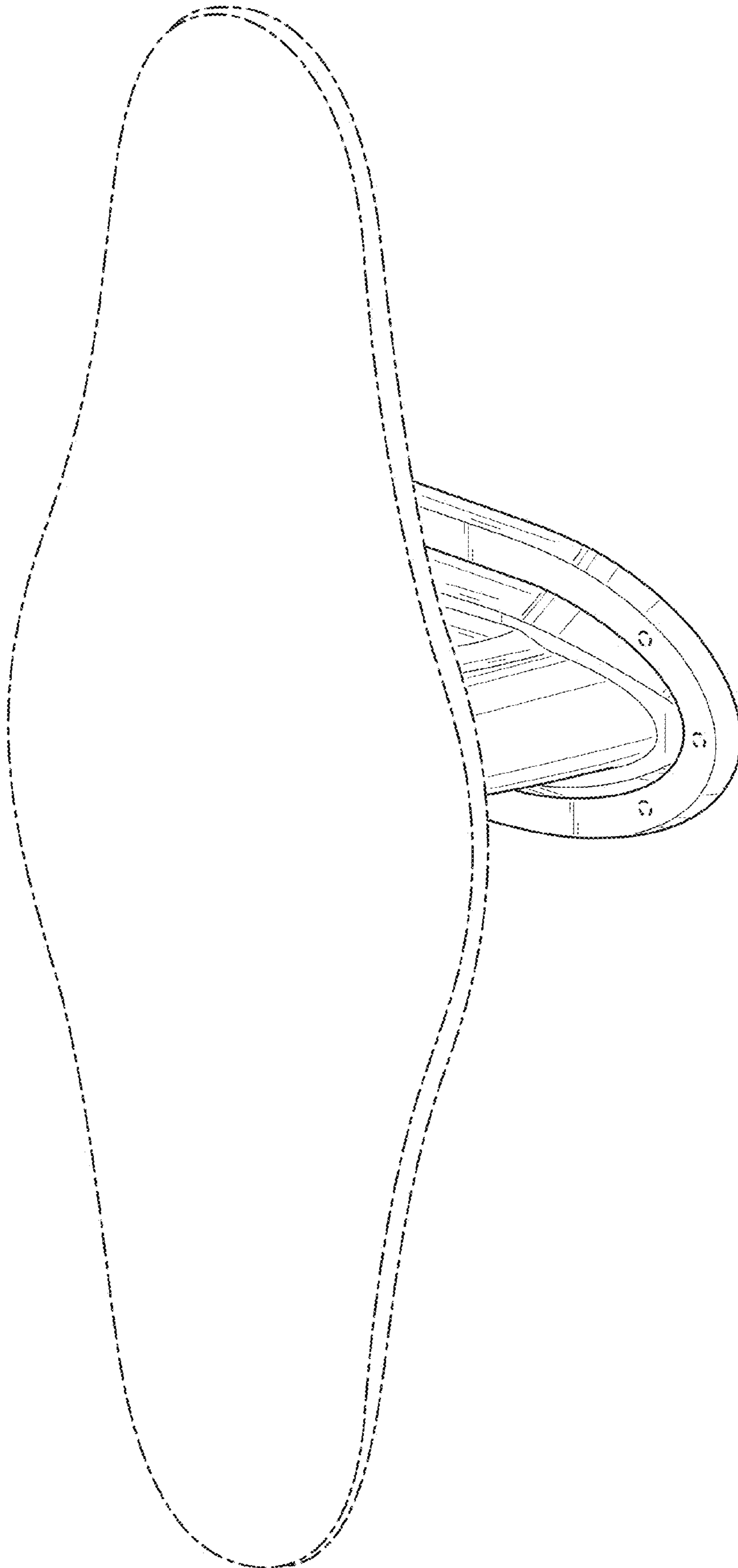


FIG. 8