



US00D881855S

(12) **United States Design Patent** (10) **Patent No.:** **US D881,855 S**
Ahman et al. (45) **Date of Patent:** **** Apr. 21, 2020**

(54) **ANTENNA HOUSING**

(71) Applicant: **AXIS AB**, Lund (SE)

(72) Inventors: **Daniel Ahman**, Lomma (SE); **Mikael Adervall**, Klagshamn (SE); **Theodor Wahlgren**, Lund (SE); **Alexandra Andersson**, Lund (SE); **Madelene Rudin**, Lund (SE); **Mariano Vozzi**, Malmo (SE); **Mathias Walter**, Arlov (SE)

(73) Assignee: **AXIS AB**, Lund (SE)

(**) Term: **15 Years**

(21) Appl. No.: **29/688,272**

(22) Filed: **Apr. 19, 2019**

Related U.S. Application Data

(62) Division of application No. 29/614,661, filed on Aug. 22, 2017.

(30) **Foreign Application Priority Data**

Feb. 27, 2017 (EM) 003771146-0001
Feb. 27, 2017 (EM) 003771146-0002
Feb. 27, 2017 (EM) 003771146-0003
Feb. 27, 2017 (EM) 003771146-0004
Feb. 27, 2017 (EM) 003771146-0005
Feb. 27, 2017 (EM) 003771146-0006

(51) **LOC (12) Cl.** **14-03**

(52) **U.S. Cl.**
USPC **D14/230**

(58) **Field of Classification Search**
USPC ... D14/203.1, 203.3, 203.6, 230-238, 238.1, D14/204, 216, 221, 240, 242, 299, 314, D14/343, 496, 509, 497, 498, 500, 506, D14/168-172, 188, 195, 211, 265, 356, D14/358; D13/107, 108
CPC H01Q 1/12; H01Q 1/22; H01Q 1/007; H01Q 1/38; H01Q 7/00; H01Q 9/40; H01Q 9/285; H01Q 9/065; H01Q 9/44;

H01Q 9/265; H01Q 19/10; H01Q 19/106; H01Q 19/12; H01Q 19/13; H01Q 19/15; H01Q 19/30; H01Q 21/28; H01Q 21/06; H01Q 21/062; H01Q 21/293; H01Q 1/084; H01Q 1/32; H01Q 1/3275; H01Q 1/42; H01Q 23/00; G05D 1/02; G05D 1/0234

See application file for complete search history.

(56) **References Cited**

U.S. PATENT DOCUMENTS

D394,266 S ‡ 5/1998 Hogenbirk D14/240
D403,320 S ‡ 12/1998 Niitsu D14/16
(Continued)

FOREIGN PATENT DOCUMENTS

TW D154895 ‡ 7/2013

Primary Examiner — Jeffrey D Asch

Assistant Examiner — Rebekah A Caruso

(74) *Attorney, Agent, or Firm* — Volpe and Koenig, P.C.

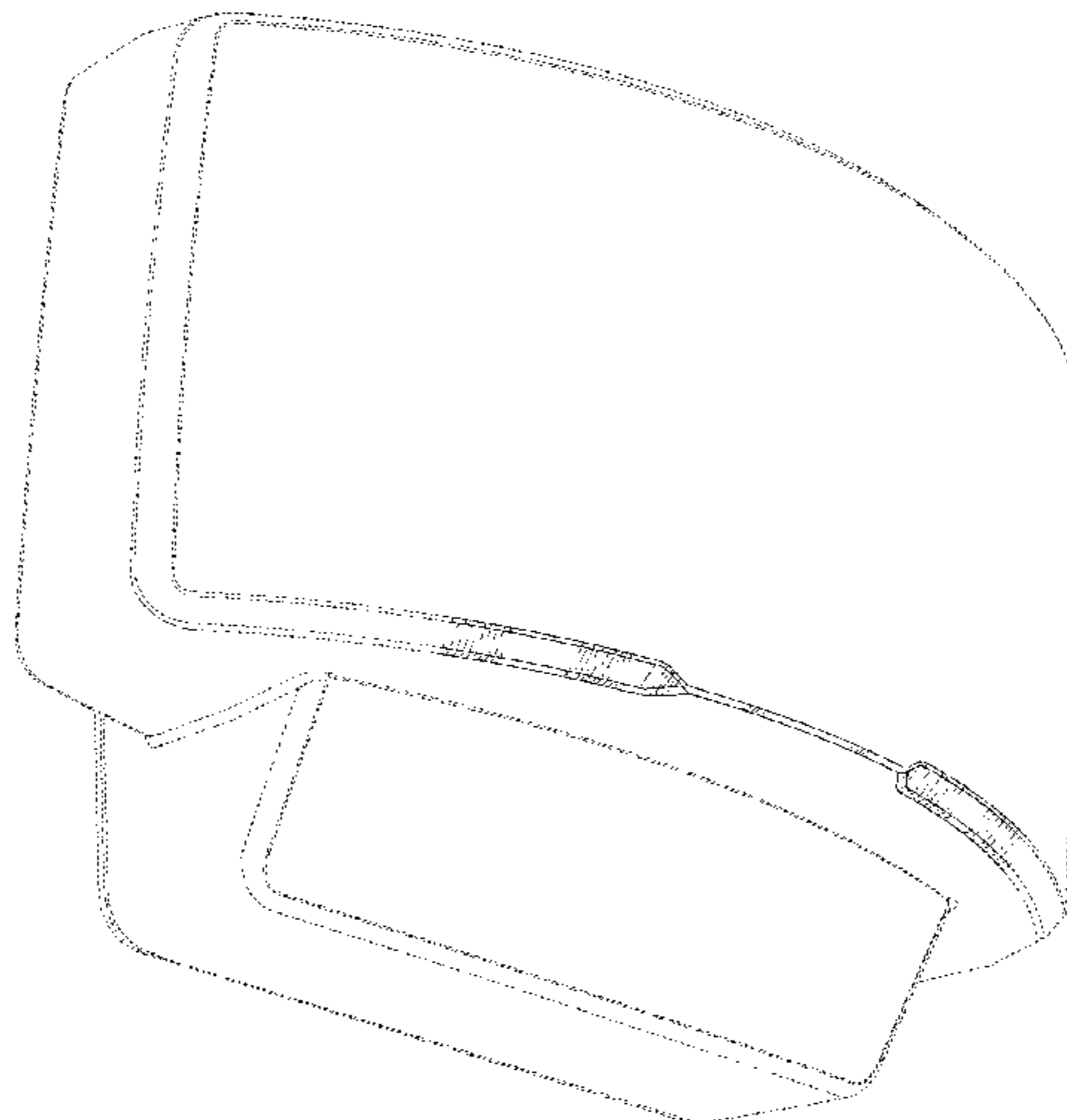
(57) **CLAIM**

We claim the ornamental design for an antenna housing, as shown and described.

DESCRIPTION

FIG. 1 is a perspective view of an antenna housing in accordance with our design;
FIG. 2 is a front elevational view thereof;
FIG. 3 is a top plan view thereof;
FIG. 4 is a left side elevational view thereof;
FIG. 5 is a bottom plan view thereof;
FIG. 6 is a rear elevational view thereof; and,
FIG. 7 is a right side elevational view thereof.
The broken lines represent portions of the antenna housing that form no part of the claimed design.

1 Claim, 5 Drawing Sheets



(56)

References Cited

U.S. PATENT DOCUMENTS

D425,517 S * 5/2000 Wheatley D14/240
 D438,199 S † 2/2001 Arpe D14/240
 D438,533 S † 3/2001 Arpe D14/240
 D473,221 S † 4/2003 Gargani D14/240
 D520,990 S † 5/2006 Kowalewicz D14/230
 D531,625 S † 11/2006 Hori D14/230
 D531,994 S † 11/2006 Allen D14/230
 D533,545 S † 12/2006 Inoue D14/230
 D535,646 S † 1/2007 Allen D14/230
 D540,314 S † 4/2007 Allen D14/230
 D544,515 S † 6/2007 Walter D16/203
 D603,887 S * 11/2009 Alm D16/203
 D609,727 S † 2/2010 Adolfsson D16/200
 D633,120 S * 2/2011 Ham D16/203
 D673,534 S † 1/2013 Bailey D14/230
 D691,646 S † 10/2013 Bergstrom D16/20

8,908,032 B2 * 12/2014 Bergstrom G08B 13/19619
 348/143
 D740,874 S * 10/2015 Ahman D16/203
 D754,861 S * 4/2016 O'Driscoll D16/101
 D755,156 S † 5/2016 Pupecki D14/204
 D756,437 S * 5/2016 Bennermark D16/203
 D786,330 S * 5/2017 Tasselli D16/203
 D789,361 S † 6/2017 Ali D14/35
 D807,401 S † 1/2018 Xu D14/496
 D811,462 S * 2/2018 Axelsson D16/203
 D815,178 S * 4/2018 Larsson D16/203
 D816,755 S * 5/2018 Barnekow D16/203
 D817,378 S * 5/2018 Persson D16/203
 D823,919 S * 7/2018 Persson D16/203
 D827,621 S † 9/2018 Little D14/230
 D848,514 S * 5/2019 Ahman D16/219
 D849,120 S * 5/2019 Ahman D16/219
 D875,086 S * 2/2020 Ahman D14/230

* cited by examiner

† imported from a related application

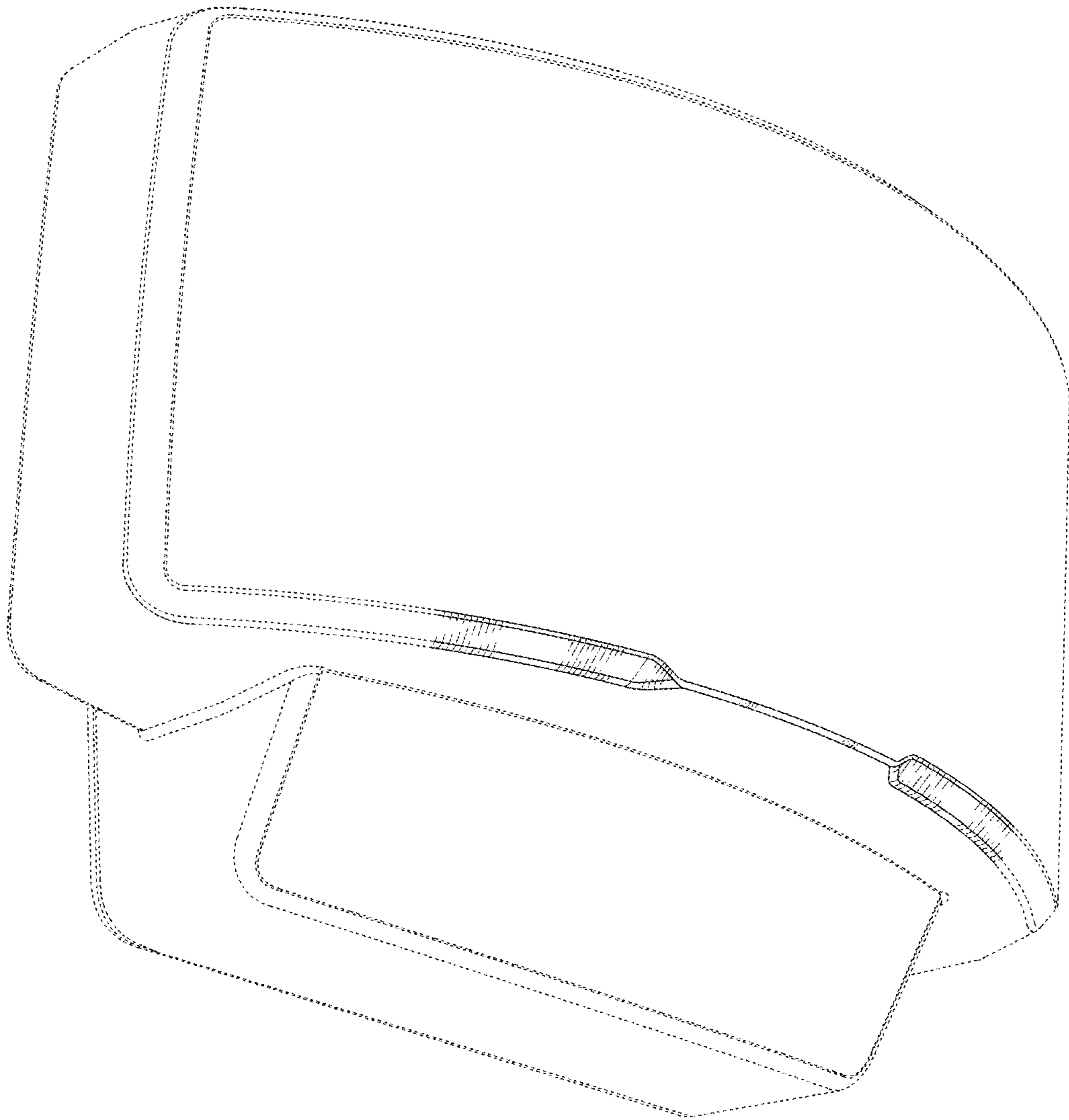


Fig. 1

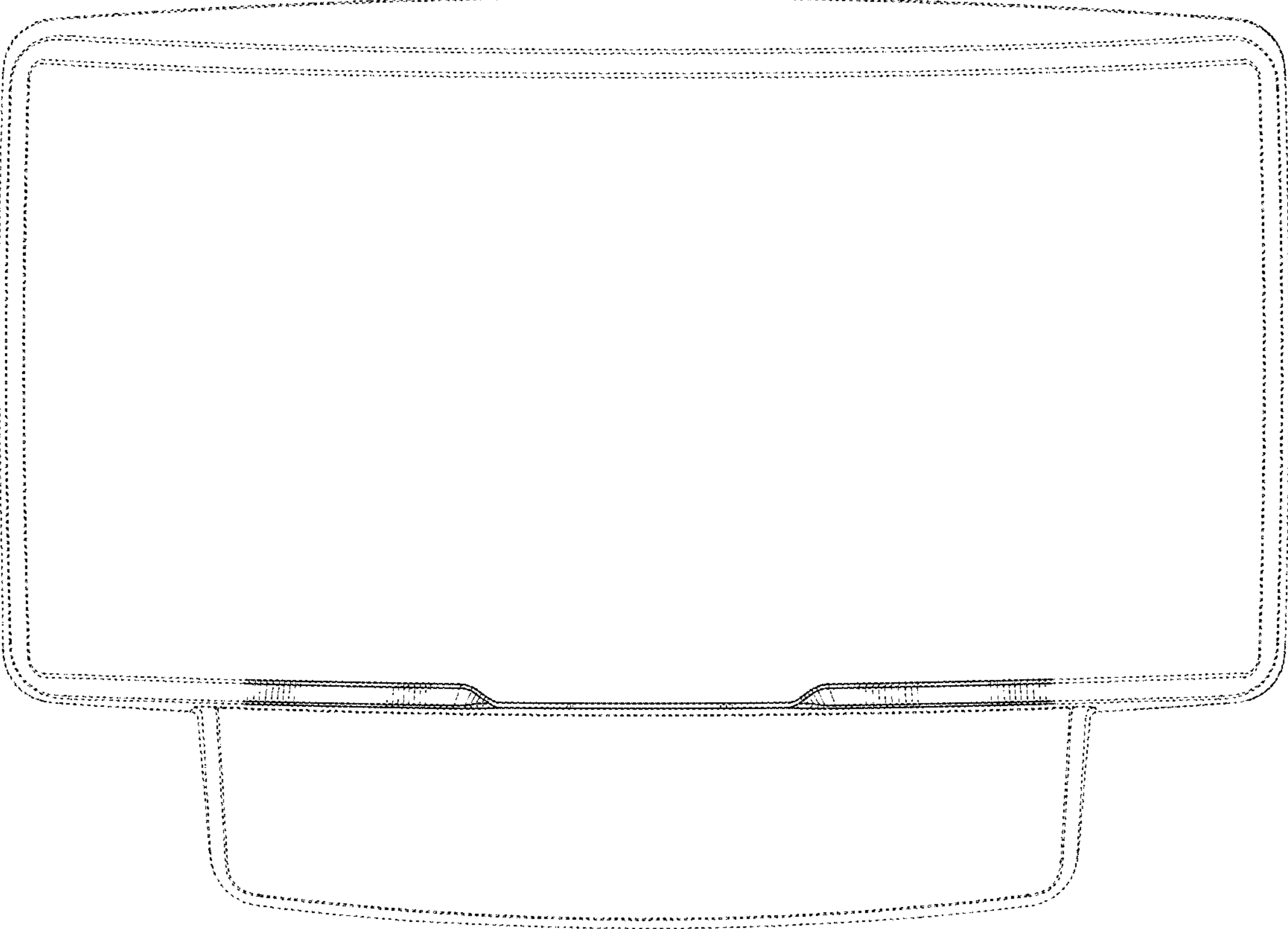


Fig. 2

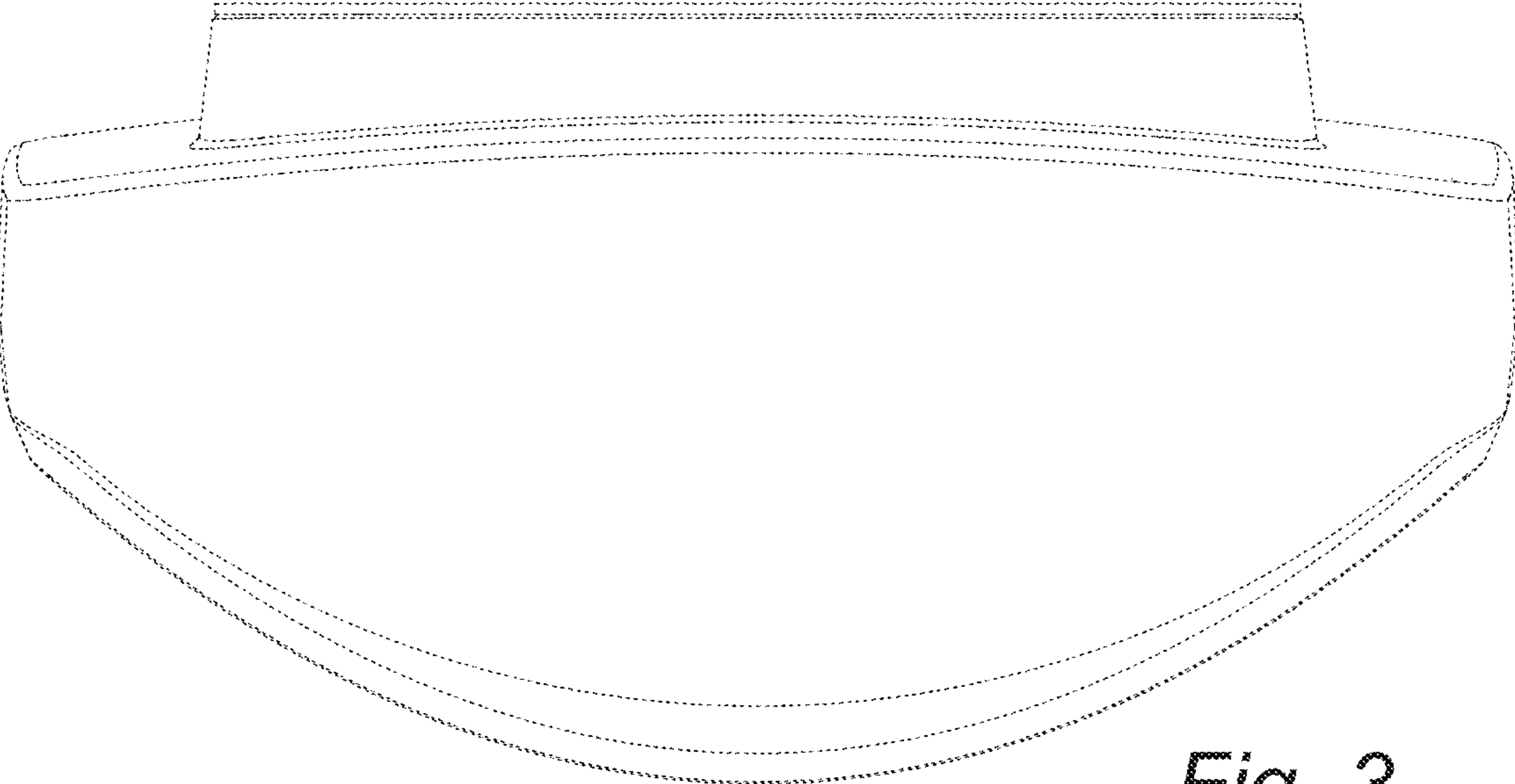


Fig. 3

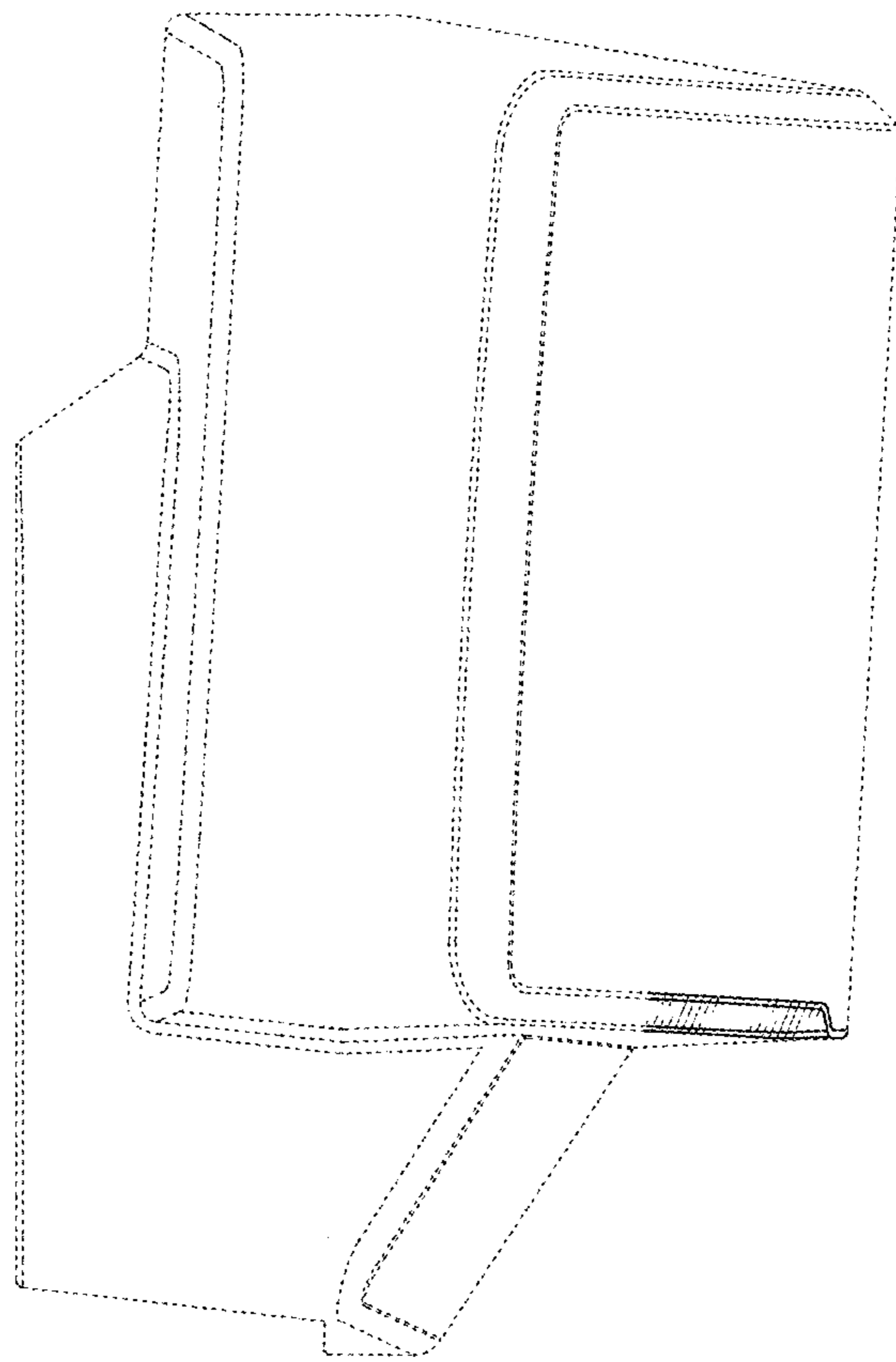


Fig. 4

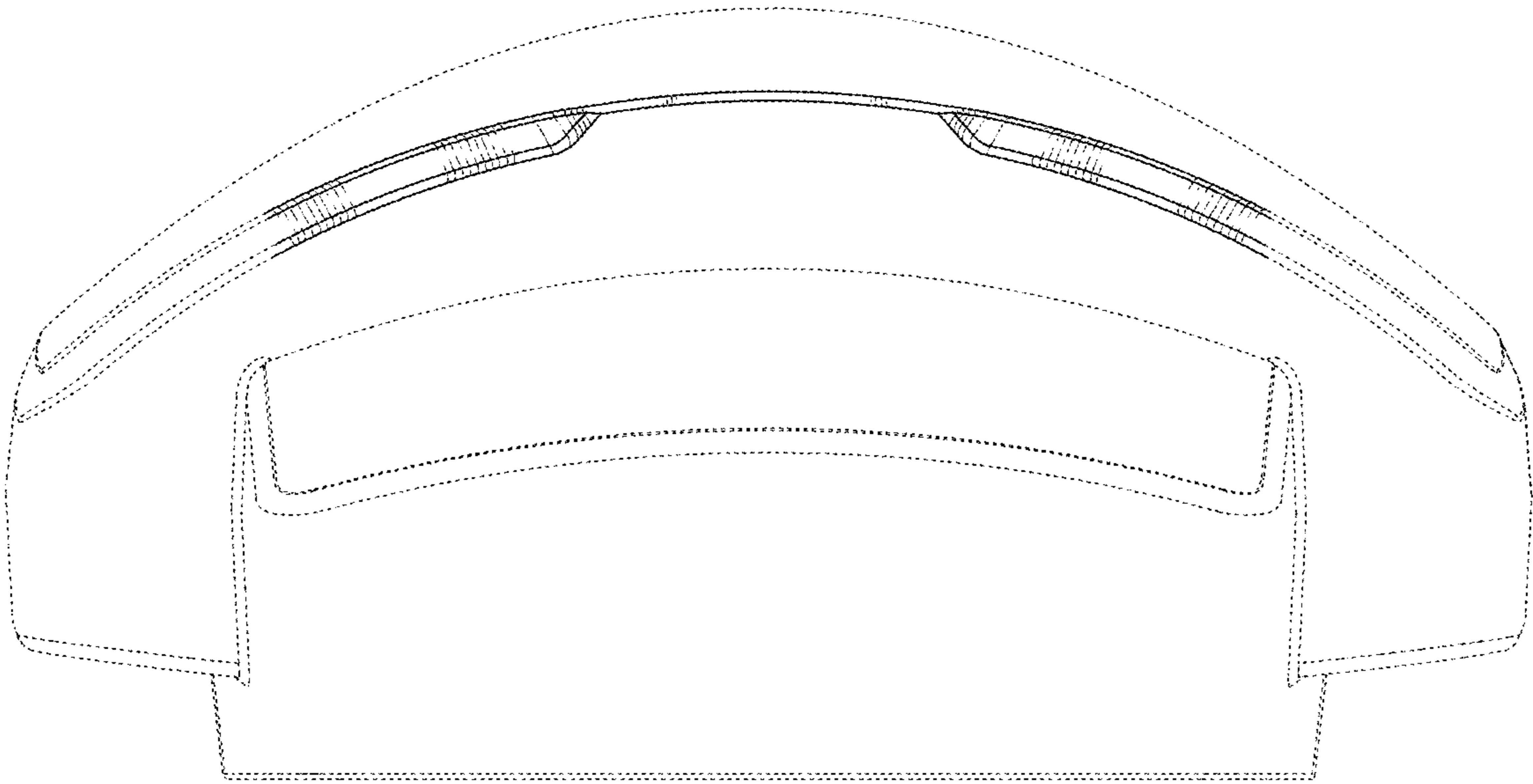


Fig. 5

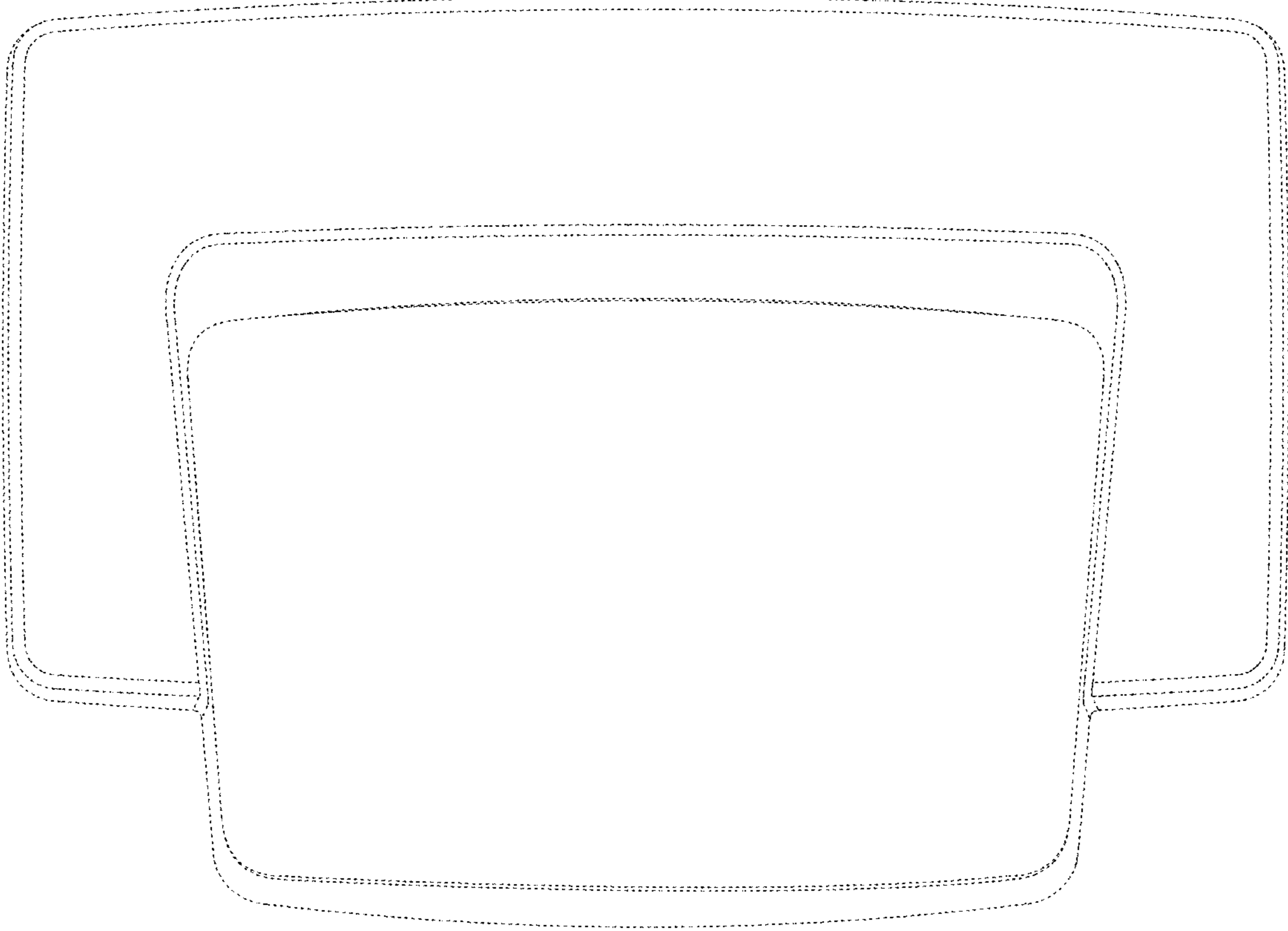


Fig. 6

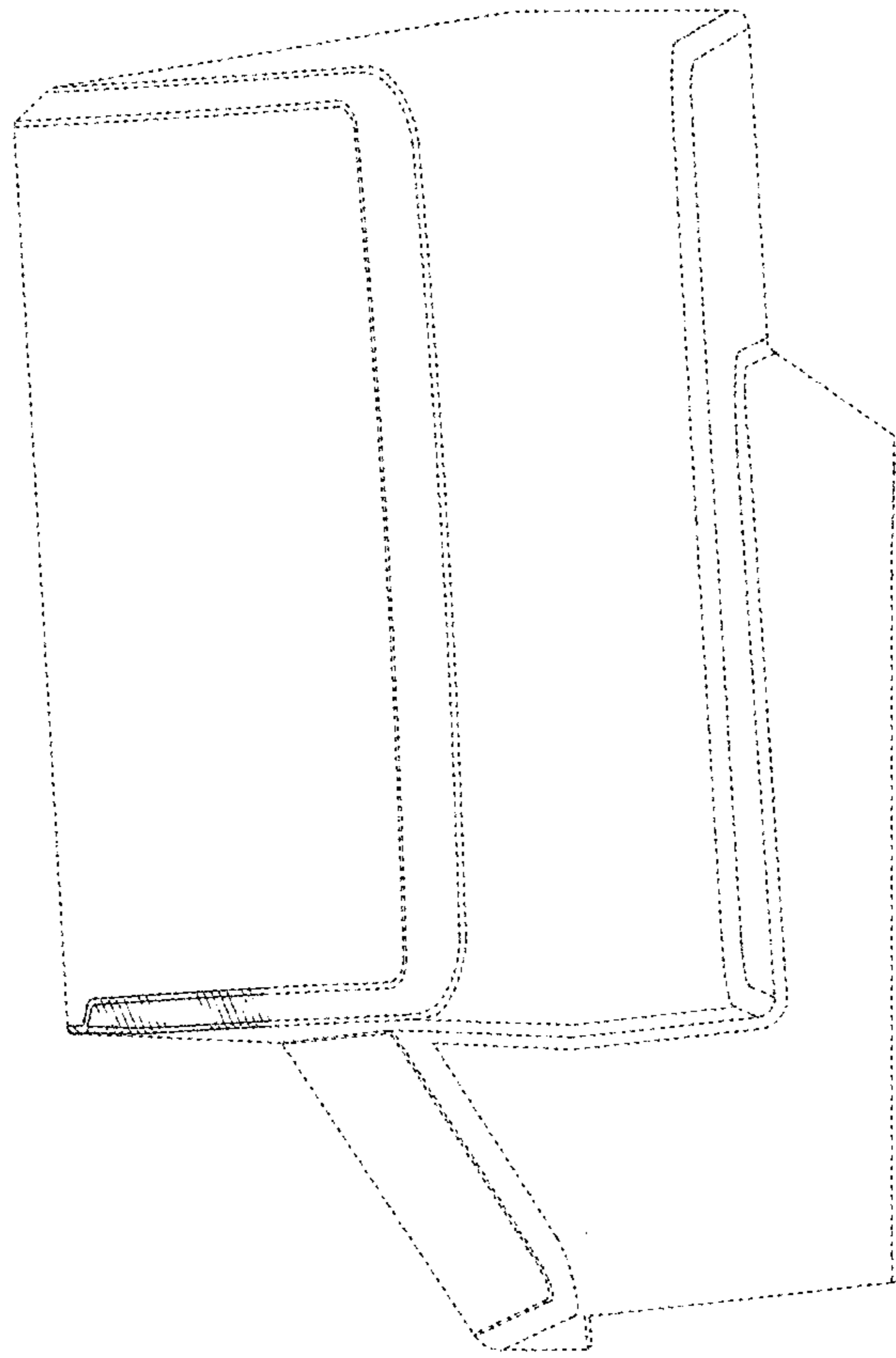


Fig. 7