



US00D881853S

(12) **United States Design Patent**
Horton

(10) **Patent No.:** **US D881,853 S**

(45) **Date of Patent:** **** *Apr. 21, 2020**

(54) **MICROPHONE STAND WITH EVEN LEGS**

(71) Applicant: **Slot Kits, LLC**, Philadelphia, PA (US)

(72) Inventor: **Todd Martin Horton**, Havertown, PA (US)

(73) Assignee: **Slot Kits, LLC**, Philadelphia, PA (US)

(*) Notice: This patent is subject to a terminal disclaimer.

(**) Term: **15 Years**

(21) Appl. No.: **29/619,894**

(22) Filed: **Oct. 3, 2017**

(51) **LOC (12) Cl.** **14-01**

(52) **U.S. Cl.**
USPC **D14/229**

(58) **Field of Classification Search**

USPC D14/224-229; D16/244; D17/99;
D6/681; 248/125.1, 166, 185.1;
381/355, 359, 361-363, 365, 366, 369,
381/375; 379/428.01, 428.04, 431,
379/433.03
CPC . H04R 25/00; H04R 1/02; H04R 5/02; H04R
9/08; F16M 11/38; F16M 13/00; F16M
11/00

See application file for complete search history.

(56) **References Cited**

U.S. PATENT DOCUMENTS

3,204,779 A * 9/1965 Warner A47F 5/13
211/182
6,056,250 A * 5/2000 Hillstrom E01F 9/688
248/127

(Continued)

OTHER PUBLICATIONS

Catalog (cover, p. 7 of catalog showing relevant information and p. 112 of catalog showing vendor information), dated Feb. 2015.

(Continued)

Primary Examiner — Katie Jane Stofko

(74) *Attorney, Agent, or Firm* — Nexsen Pruet, LLC;
Todd A. Serbin

(57) **CLAIM**

The ornamental design for a microphone stand with even legs, as shown and described.

DESCRIPTION

FIG. 1 is a perspective view of a microphone stand with even legs;

FIG. 2 is a front view thereof, where the rear view and the left and right side views are identical to the front view;

FIG. 3 is a top view thereof;

FIG. 4 is a bottom view thereof;

FIG. 5 is a cross-sectional view thereof, taken from line 5-5 shown in FIG. 4;

FIG. 6 is a perspective view thereof, shown in an environment of use;

FIG. 7 is another perspective view thereof, shown in an environment of use;

FIG. 8 is another perspective view thereof, shown in an environment of use;

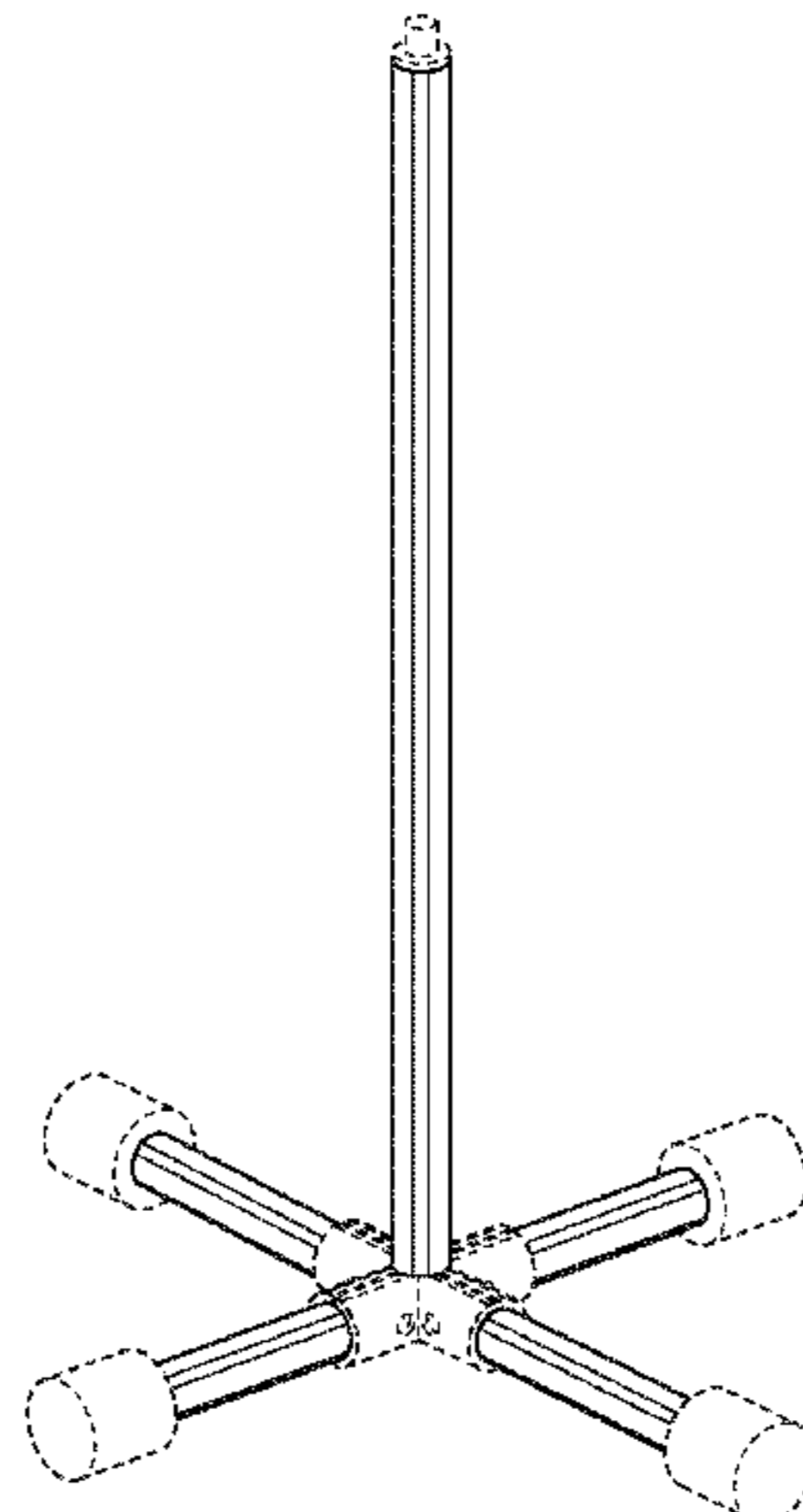
FIG. 9 is another perspective view thereof, shown in an environment of use;

FIG. 10 is another perspective view thereof, shown in an environment of use; and,

FIG. 11 is another perspective view thereof, shown in an environment of use.

The broken lines shown in FIGS. 1-5 illustrate portions of the microphone stand with even legs that form no part of the claimed design. The broken lines illustrating an extra mounting post in FIGS. 6-11 are environment that form no part of the claimed design, while the remaining broken lines in FIGS. 6-11 illustrate portions of the microphone stand with even legs that form no part of the claimed design.

1 Claim, 10 Drawing Sheets



(56)

References Cited

U.S. PATENT DOCUMENTS

6,386,491 B1 * 5/2002 Bissett A47F 5/04
211/205
D469,278 S * 1/2003 Lippert D17/13
D566,990 S * 4/2008 Cook D6/681.3
D643,230 S * 8/2011 Hepeng D6/708.25
D664,374 S * 7/2012 Capella D6/681.3
D687,421 S * 8/2013 Slaton D14/229
8,567,730 B1 * 10/2013 Stevenson A61M 5/1415
248/125.8
D704,956 S * 5/2014 English D6/552
D793,131 S * 8/2017 Gazit D6/681.1
D812,941 S * 3/2018 Procaccini D6/681.1
2007/0175848 A1 * 8/2007 Mallen A47G 25/0671
211/196

OTHER PUBLICATIONS

Webpage from On-line merchant Sweetwater showing Triad-Orbit Drum Overhead Microphone Stand Package from <https://www.sweetwater.com/store/detail/TOPack2> dated Jan. 4, 2018.

Copy of Webpage from On-line merchant Sweetwater showing Triad-Orbit Dual MIC System Microphone Stand Package from <https://www.sweetwater.com/store/detail/TOPack3> Jan. 4, 2018.

* cited by examiner

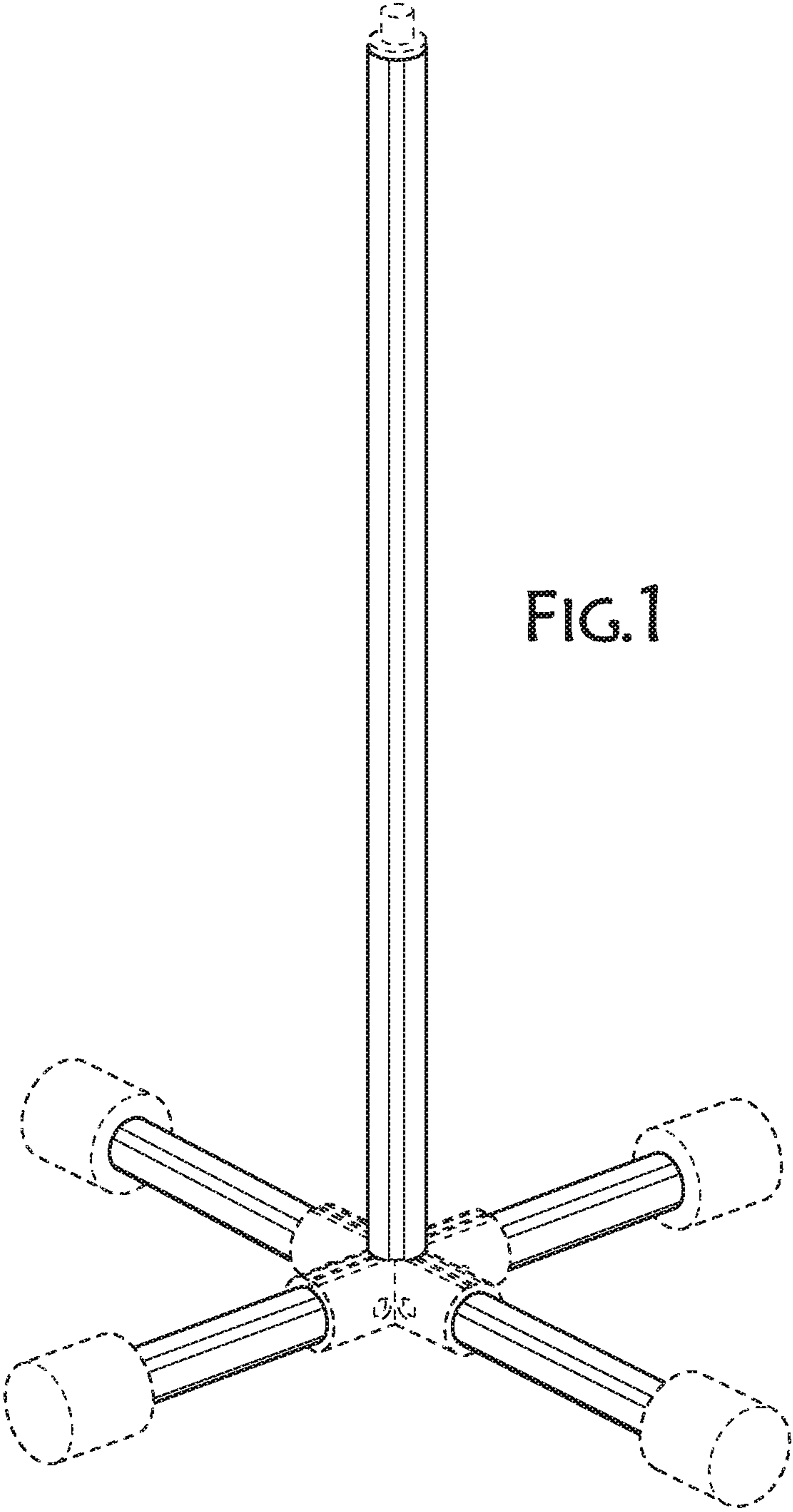
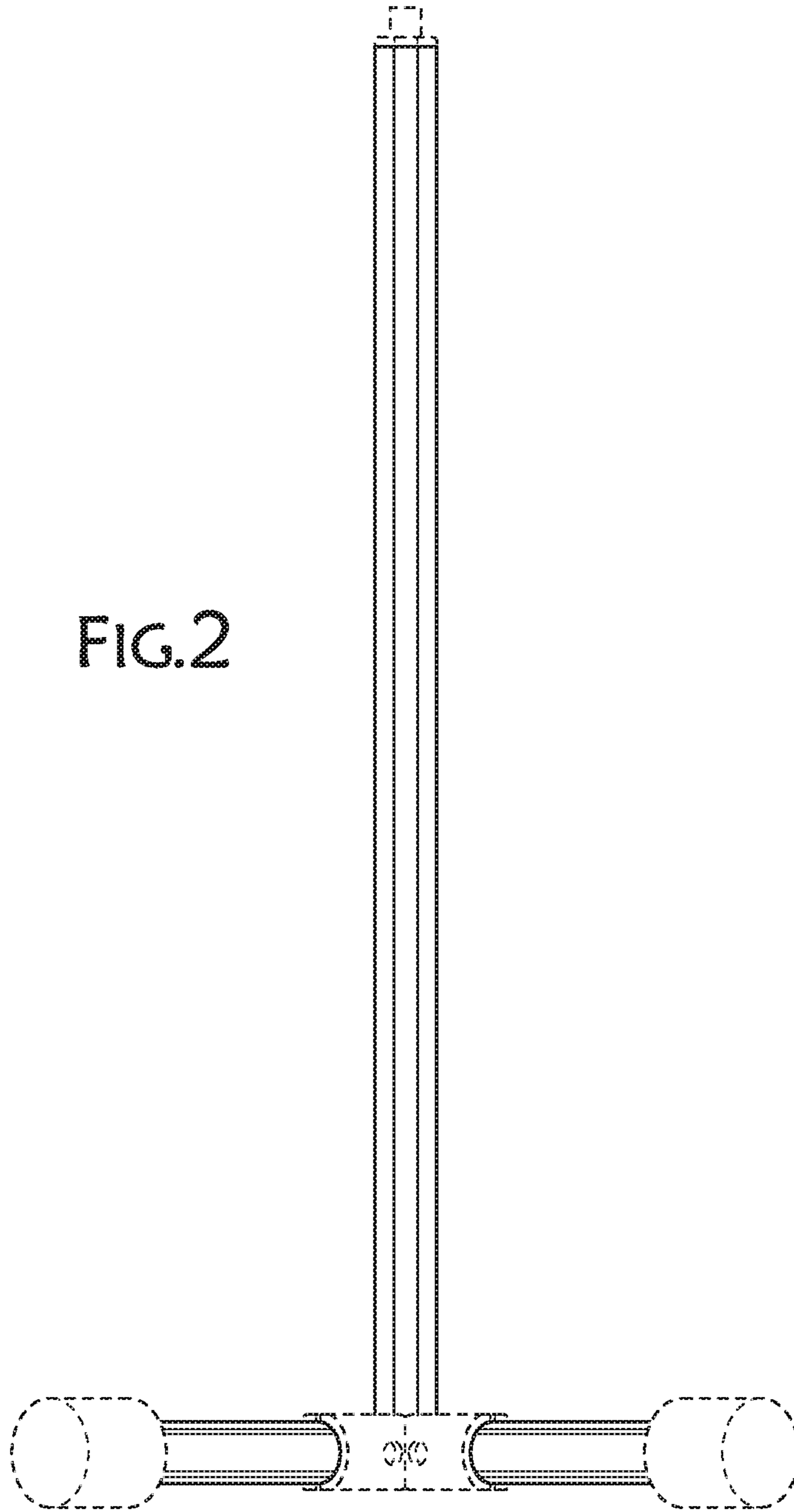


FIG. 1

FIG.2



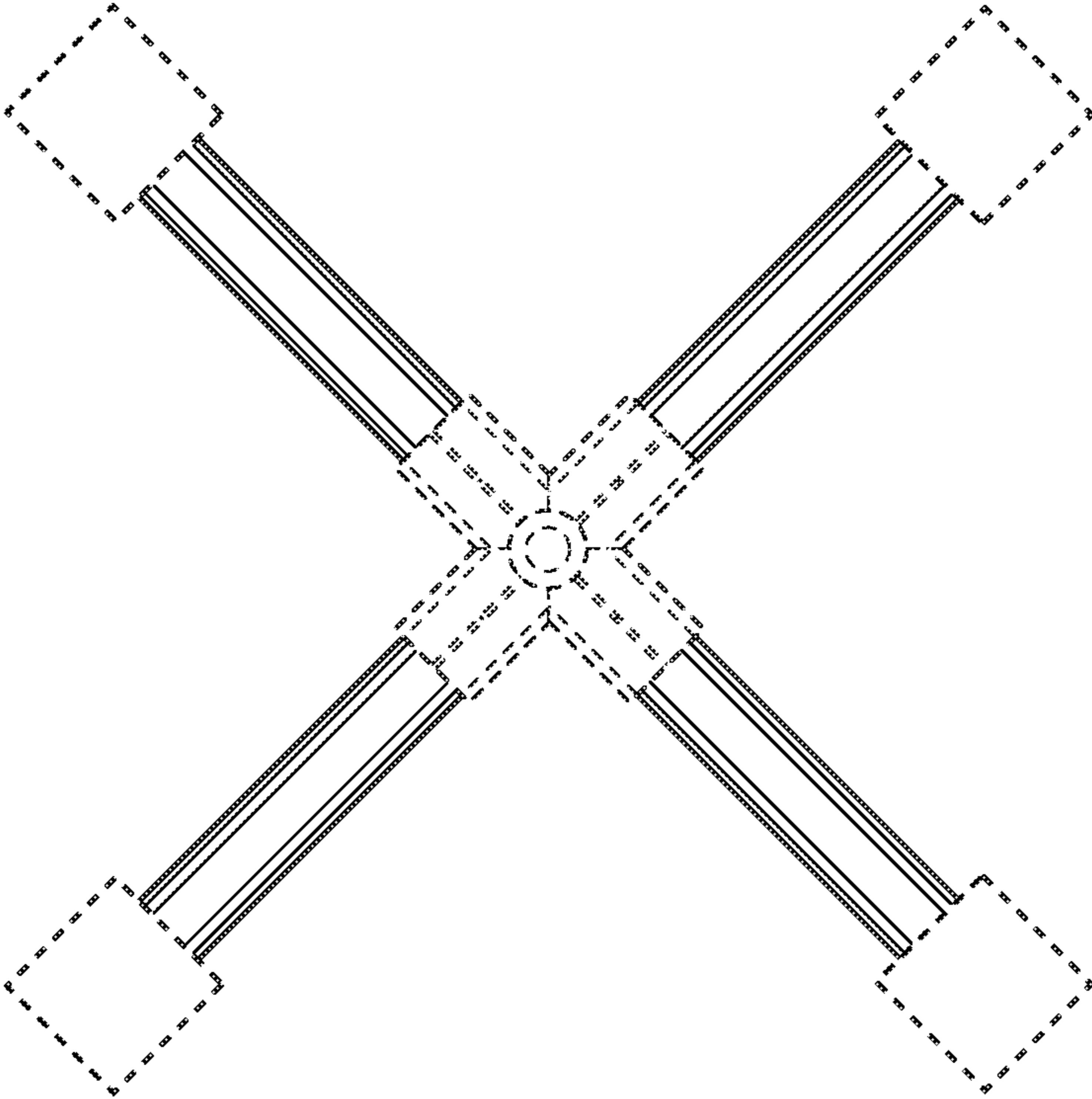


FIG.3

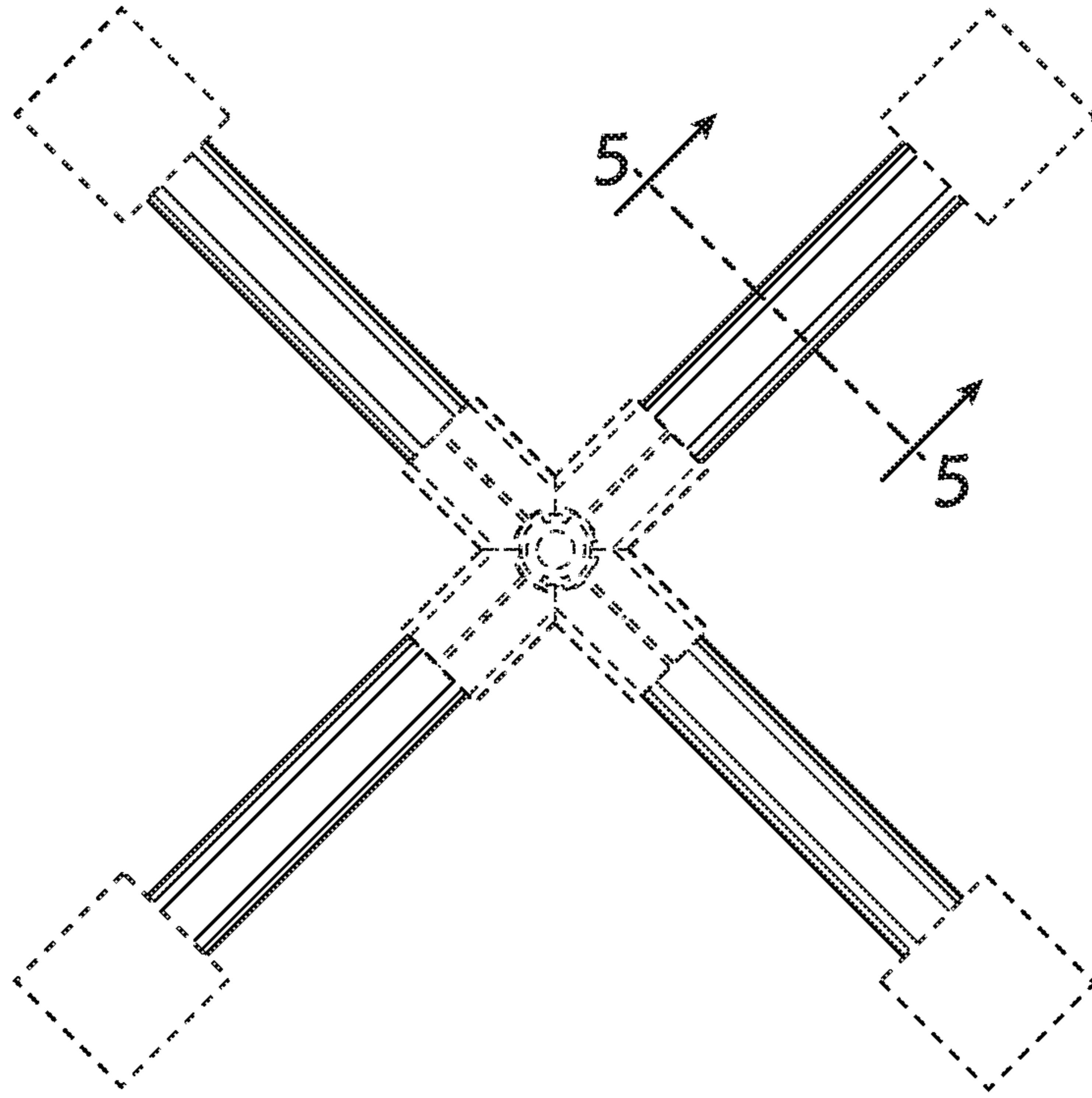


FIG. 4

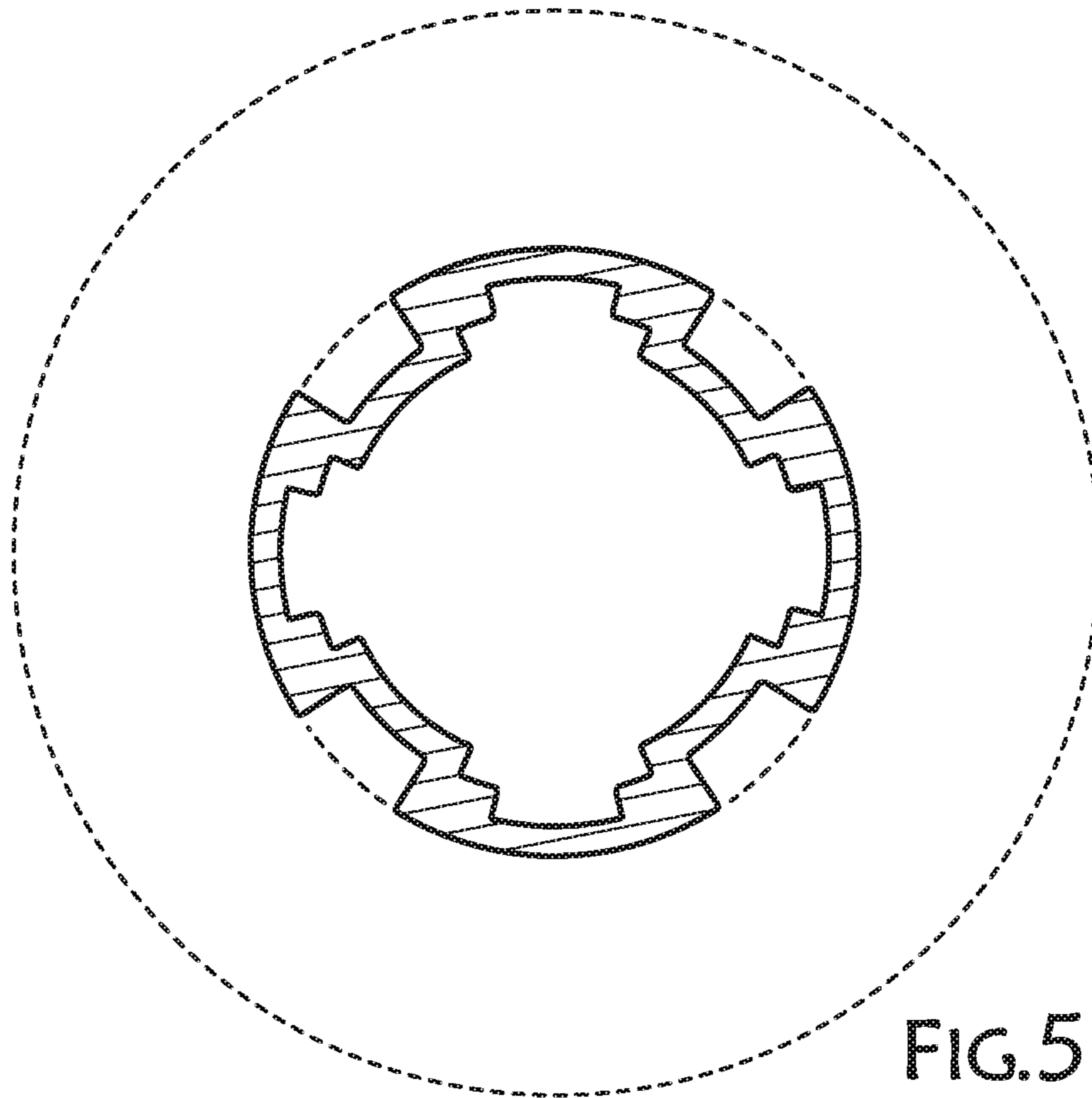
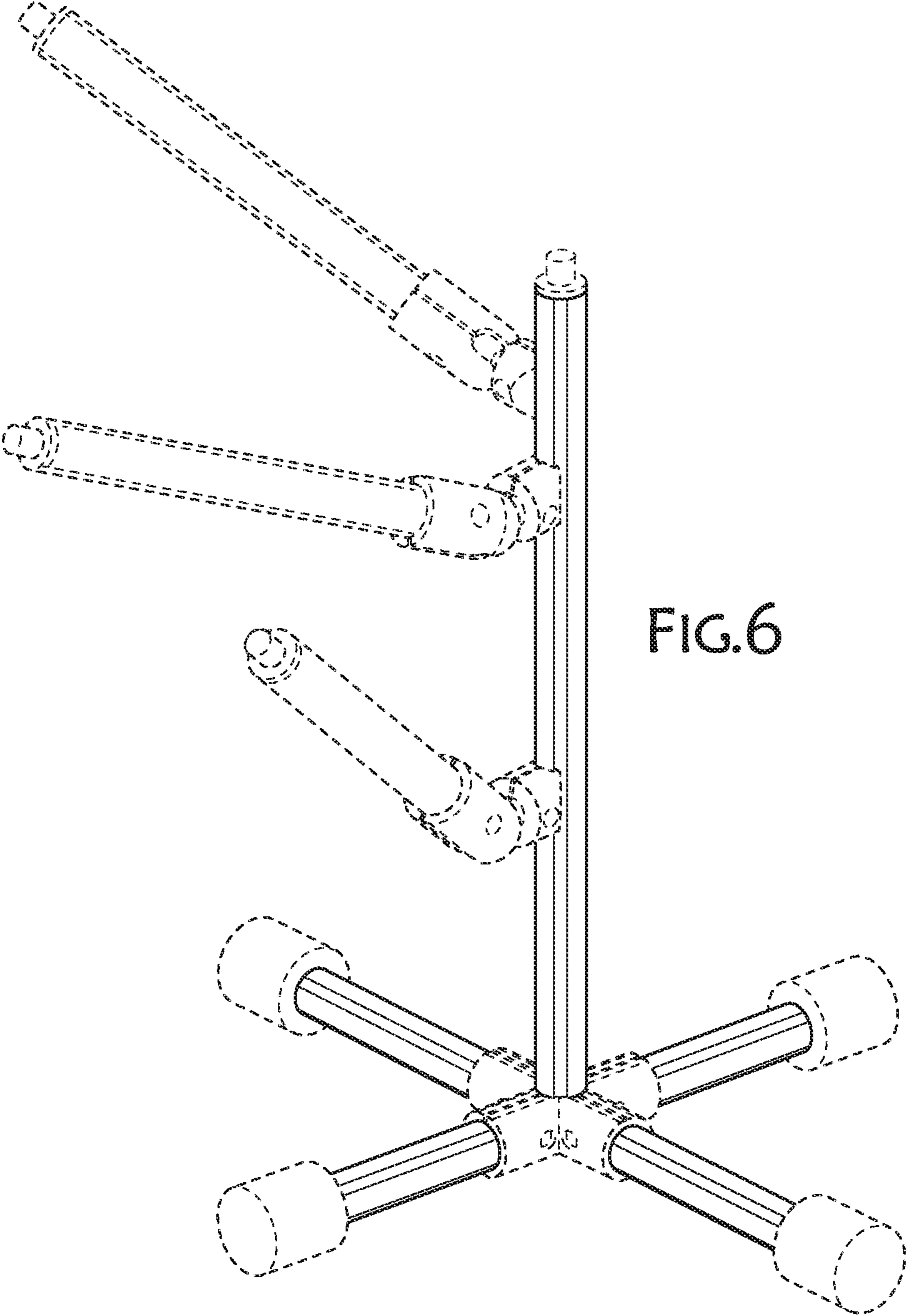
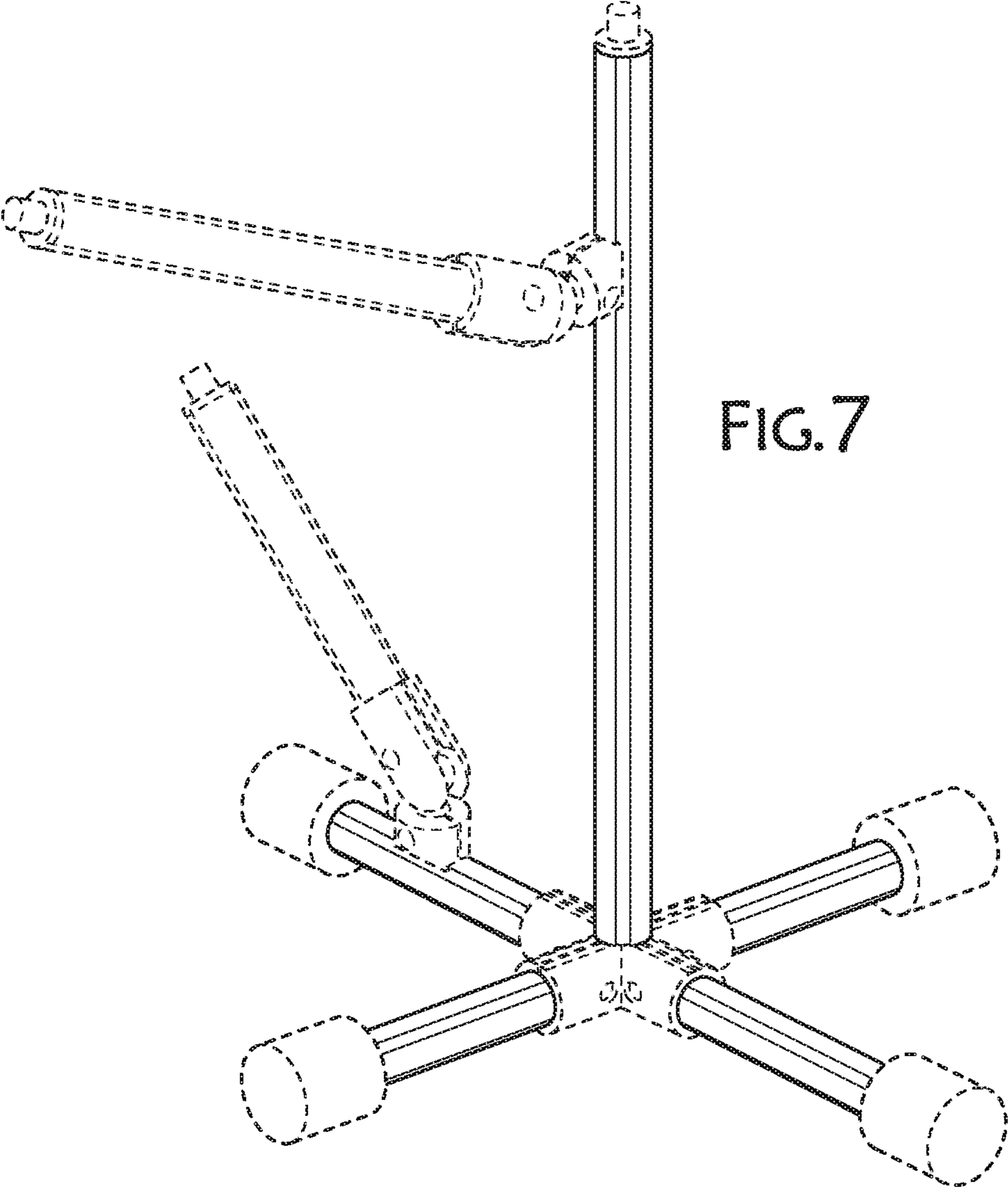
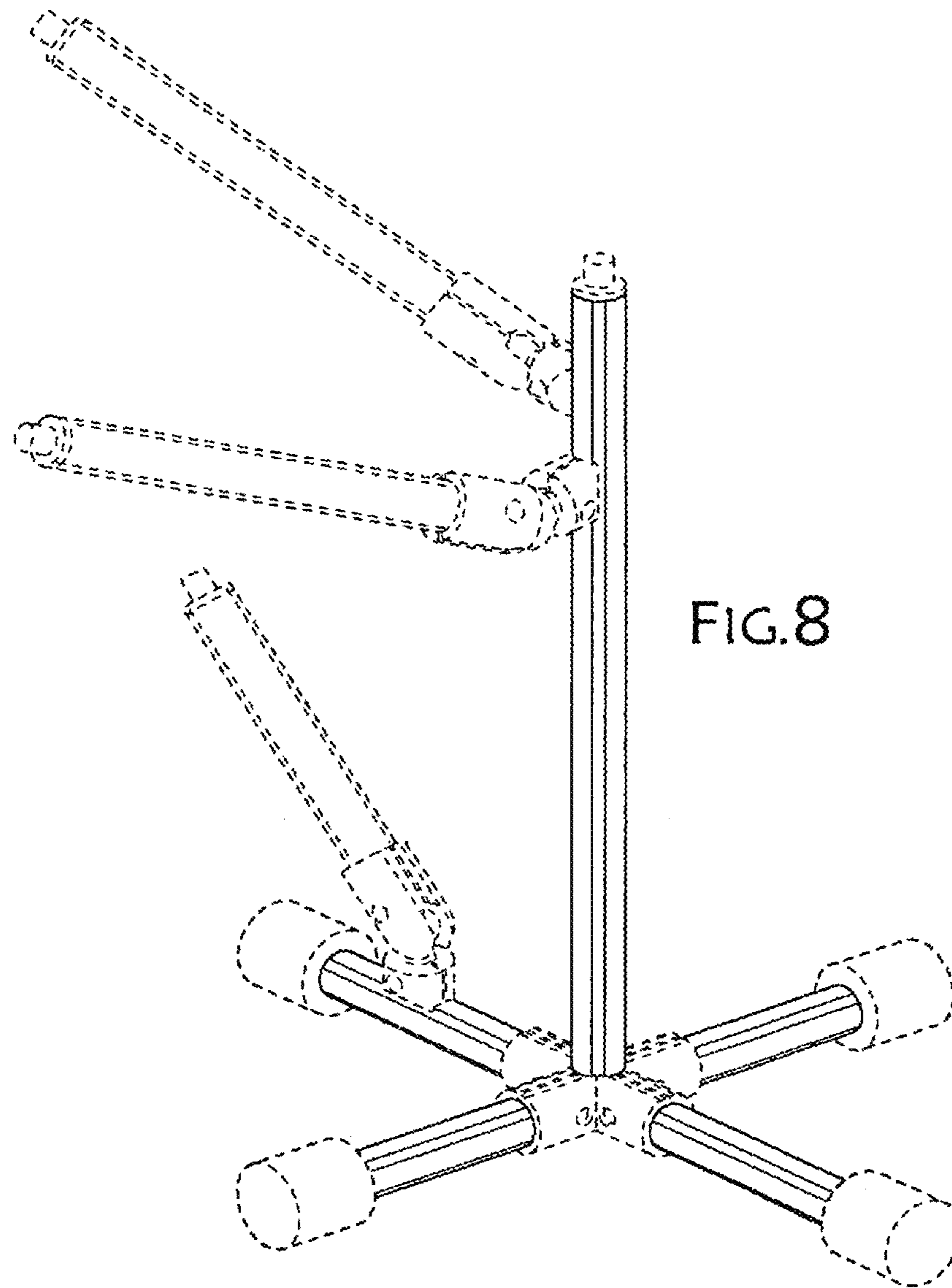


FIG. 5







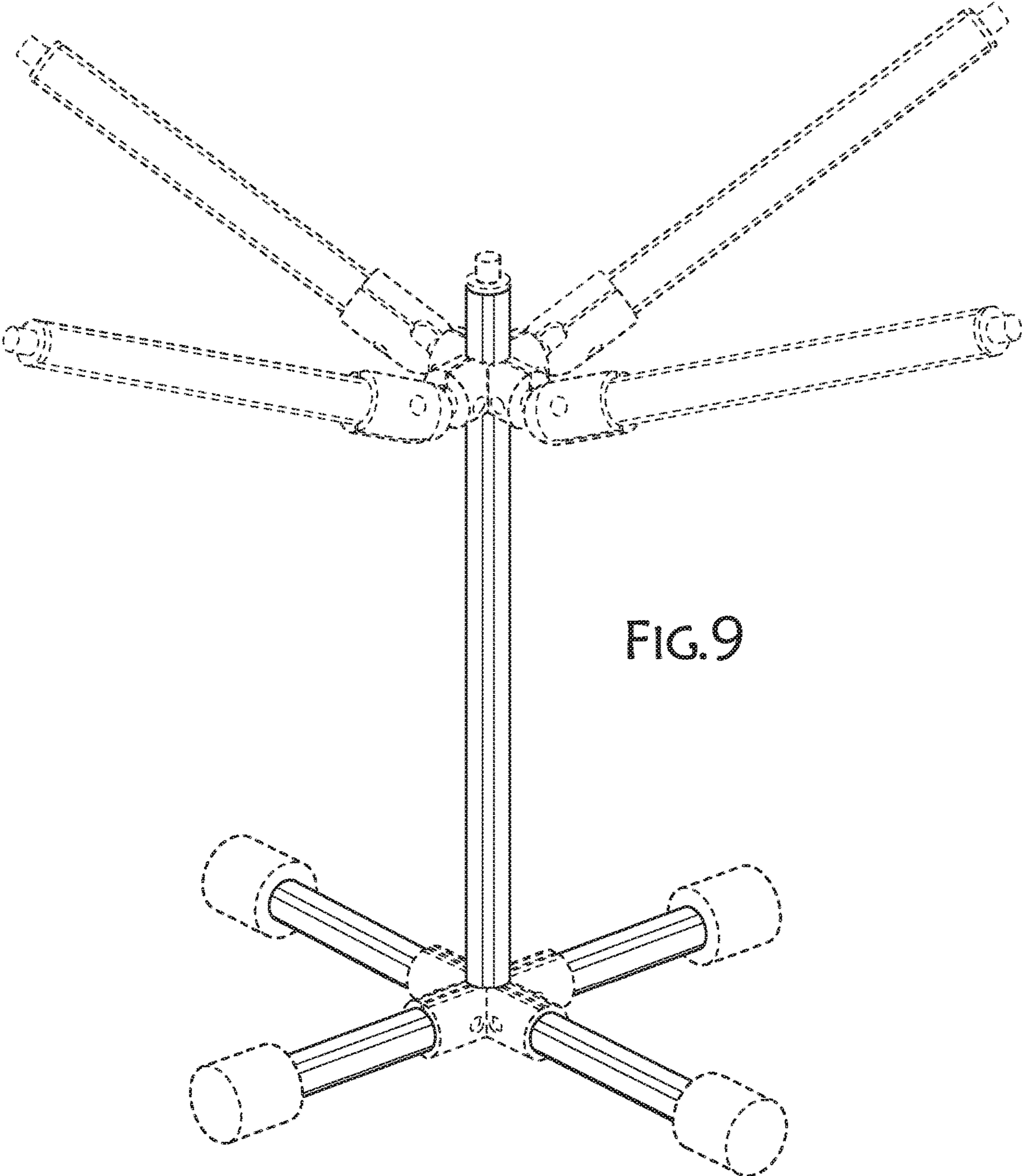


FIG. 9

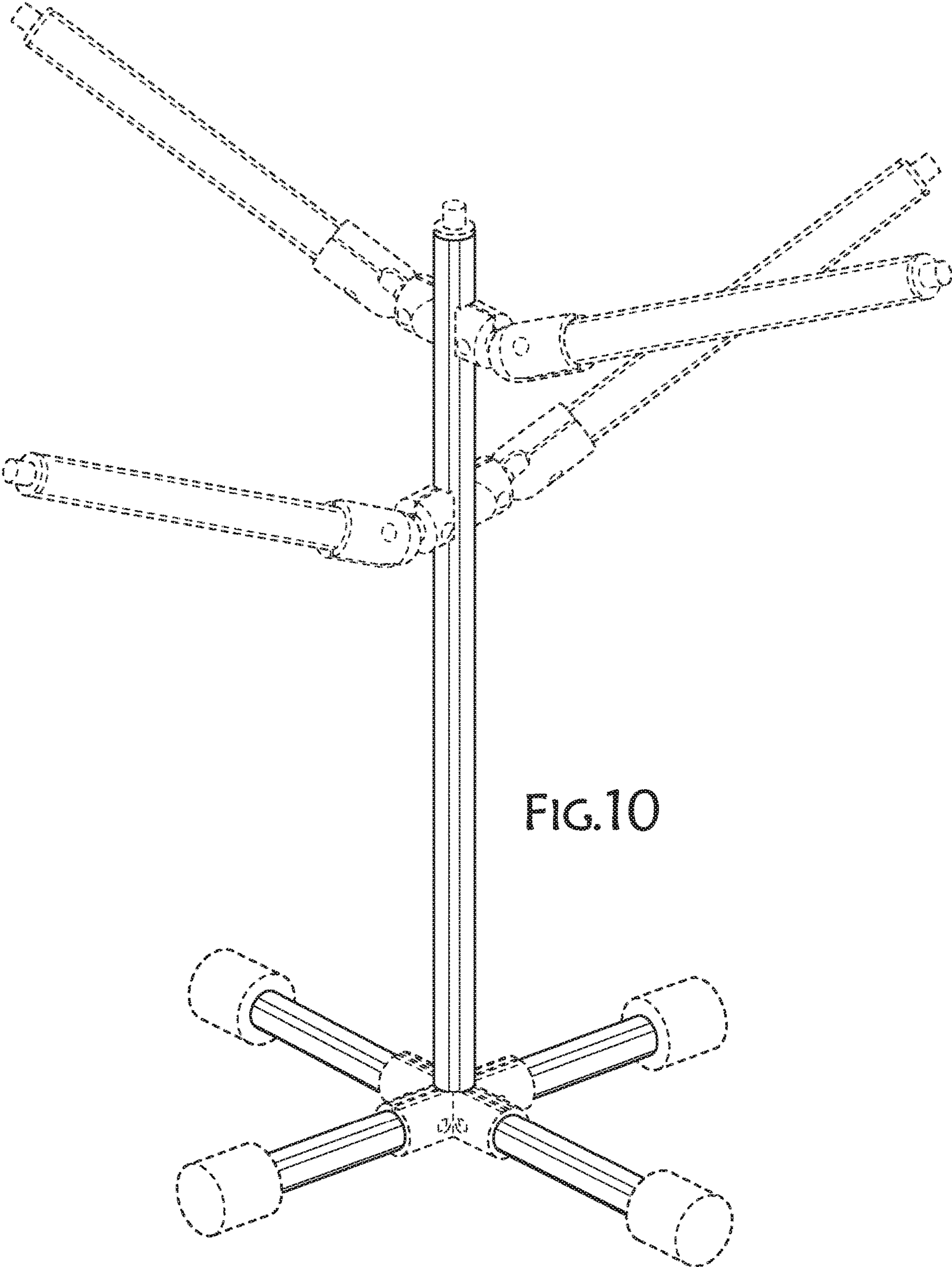


FIG.10

