



US00D881851S

(12) **United States Design Patent**
Tran et al.

(10) **Patent No.:** **US D881,851 S**
(45) **Date of Patent:** **** Apr. 21, 2020**

- (54) **SPEAKER MICROPHONE**
- (71) Applicant: **MOTOROLA SOLUTIONS, INC.**,
Chicago, IL (US)
- (72) Inventors: **Chi T. Tran**, Naperville, IL (US); **Ryan M. Nilsen**, Plantation, FL (US); **Wan Mohd Arif Wan Sulaiman**, Kota Bharu (MY)
- (73) Assignee: **MOTOROLA SOLUTIONS, INC.**,
Chicago, IL (US)

- 5,249,235 A * 9/1993 Davis, II H04R 1/342
381/122
- D358,108 S * 5/1995 Yuen D10/106.6
- D376,599 S * 12/1996 Lindeman D14/225
- D388,094 S * 12/1997 Tokiyama D14/204
- 5,701,355 A * 12/1997 Brannan H04R 1/08
174/653
- D440,560 S * 4/2001 Tokiyama D14/225
- D467,889 S * 12/2002 Cebe D14/137
- D499,391 S * 12/2004 Robertson, Jr. D14/137
- D503,398 S * 3/2005 Haase D14/225
- D515,558 S * 2/2006 Case D10/106.1
- D526,993 S * 8/2006 Richards D14/188

(Continued)

(**) Term: **15 Years**

FOREIGN PATENT DOCUMENTS

- (21) Appl. No.: **29/670,801**
- (22) Filed: **Nov. 20, 2018**
- (51) **LOC (12) Cl.** **14-01**
- (52) **U.S. Cl.**
USPC **D14/225**
- (58) **Field of Classification Search**
USPC D14/225, 226, 137, 192, 194, 155, 188,
D14/147; D21/483; 446/410, 454;
181/158, 242; 379/432, 433.06; 381/91;
455/575.8
CPC H04R 1/02; H04R 11/04; H04R 25/00;
H04R 9/08; H01B 1/38
See application file for complete search history.

JP D1550080 * 4/2016

Primary Examiner — Paula Allen Greene

(74) *Attorney, Agent, or Firm* — Raguraman Kumaresan

(57) **CLAIM**

The ornamental design for a speaker microphone, as shown and described.

DESCRIPTION

FIG. 1 is a front perspective view of an ornamental design for a speaker microphone;
 FIG. 2 is a rear perspective view thereof;
 FIG. 3 is a front view thereof;
 FIG. 4 is a rear view thereof;
 FIG. 5 is a first side view thereof;
 FIG. 6 is a second side view thereof;
 FIG. 7 is a top view thereof; and,
 FIG. 8 is a bottom view thereof.

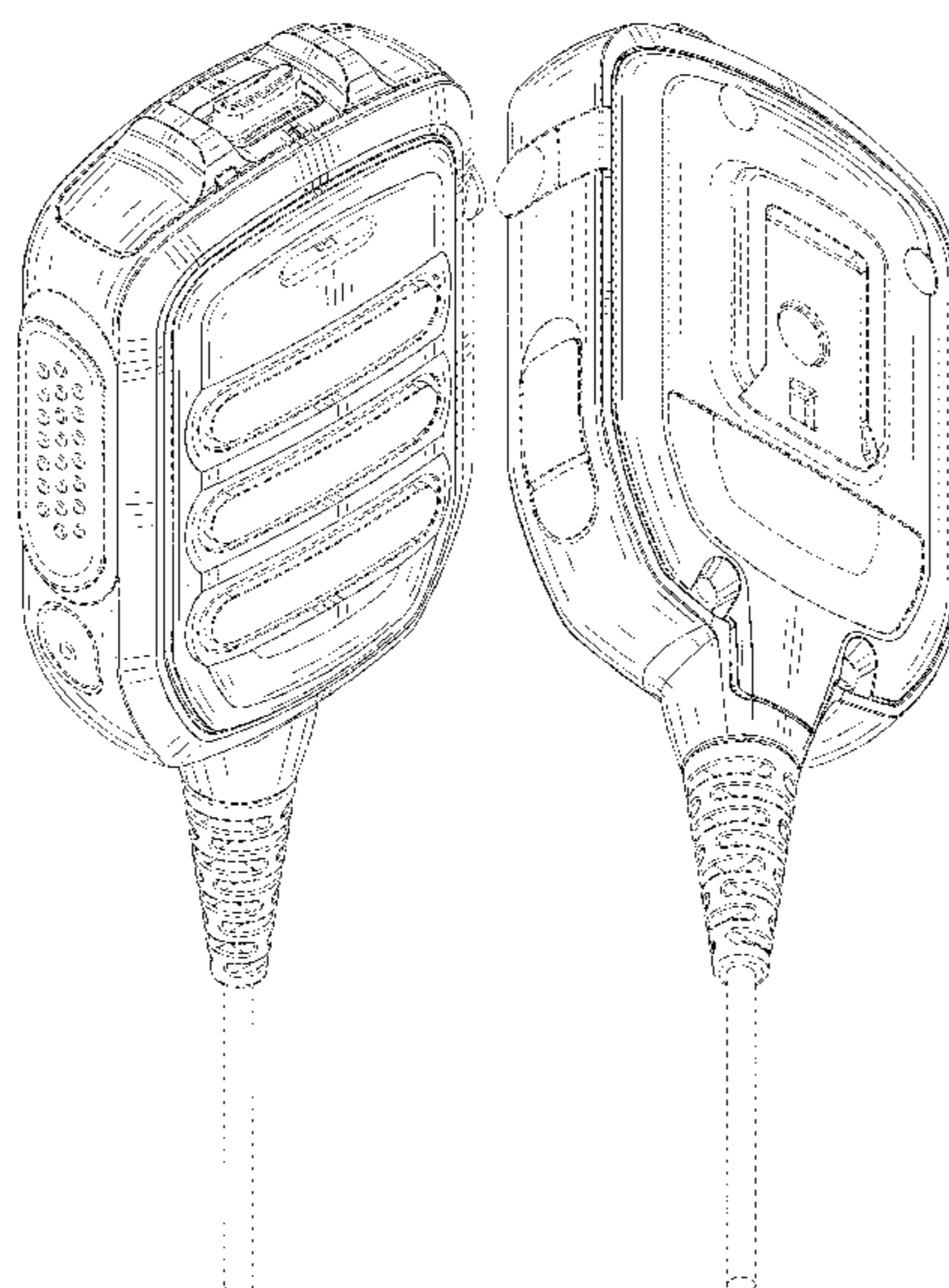
The broken lines immediately adjacent the surface shading represents the bounds of the claimed design while all other broken lines are directed to environment and are for illustrative purposes only, the broken lines form no part of the claimed design.

1 Claim, 7 Drawing Sheets

(56) **References Cited**

U.S. PATENT DOCUMENTS

- D203,187 S * 12/1965 Gulbrandsen D14/225
- D206,329 S * 11/1966 Deschamps D14/225
- D234,957 S * 4/1975 Huntington D14/225
- 4,199,721 A * 4/1980 Ono H04B 1/3822
381/356
- D276,599 S * 12/1984 Segan D10/106.1
- D294,257 S * 2/1988 Nagele D14/137
- D295,404 S * 4/1988 Tokiyama D14/137
- D321,692 S * 11/1991 Siddoway D14/225
- D336,300 S * 6/1993 Tokiyama D14/225



(56)

References Cited

U.S. PATENT DOCUMENTS

D530,313	S	*	10/2006	Leng	D14/225
D540,763	S	*	4/2007	Liang	D14/129
D566,075	S	*	4/2008	Leng	D14/137
D569,853	S	*	5/2008	Nishida	D14/225
D632,679	S	*	2/2011	Emge	D14/225
D662,090	S	*	6/2012	Richards	D14/226
D718,746	S	*	12/2014	Tran	D14/137
D718,747	S	*	12/2014	Tran	D14/137
D743,950	S	*	11/2015	Derdzinski	D14/225
D744,457	S	*	12/2015	Vuorio	D14/226
D744,458	S	*	12/2015	Derdzinski	D14/226
2001/0054217	A1	*	12/2001	Wang	A45F 5/02 24/3.1
2003/0027606	A1	*	2/2003	Tsai	H04M 1/05 455/575.2

* cited by examiner

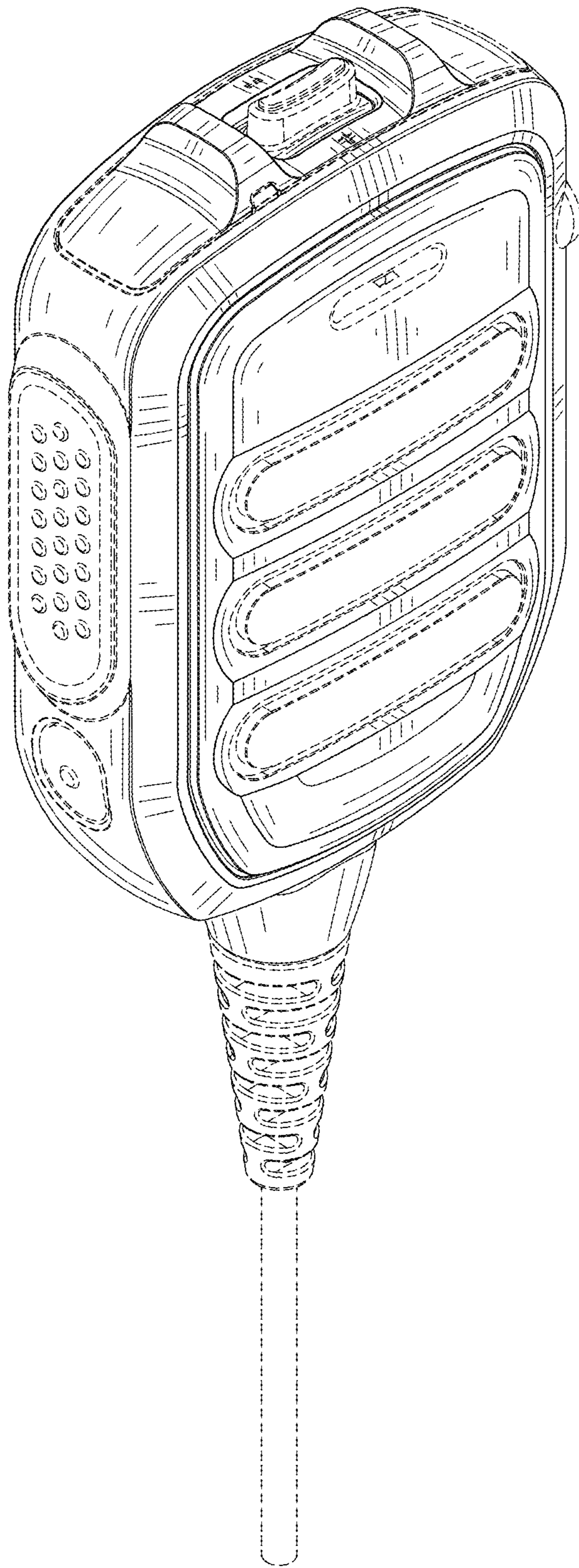


FIG. 1

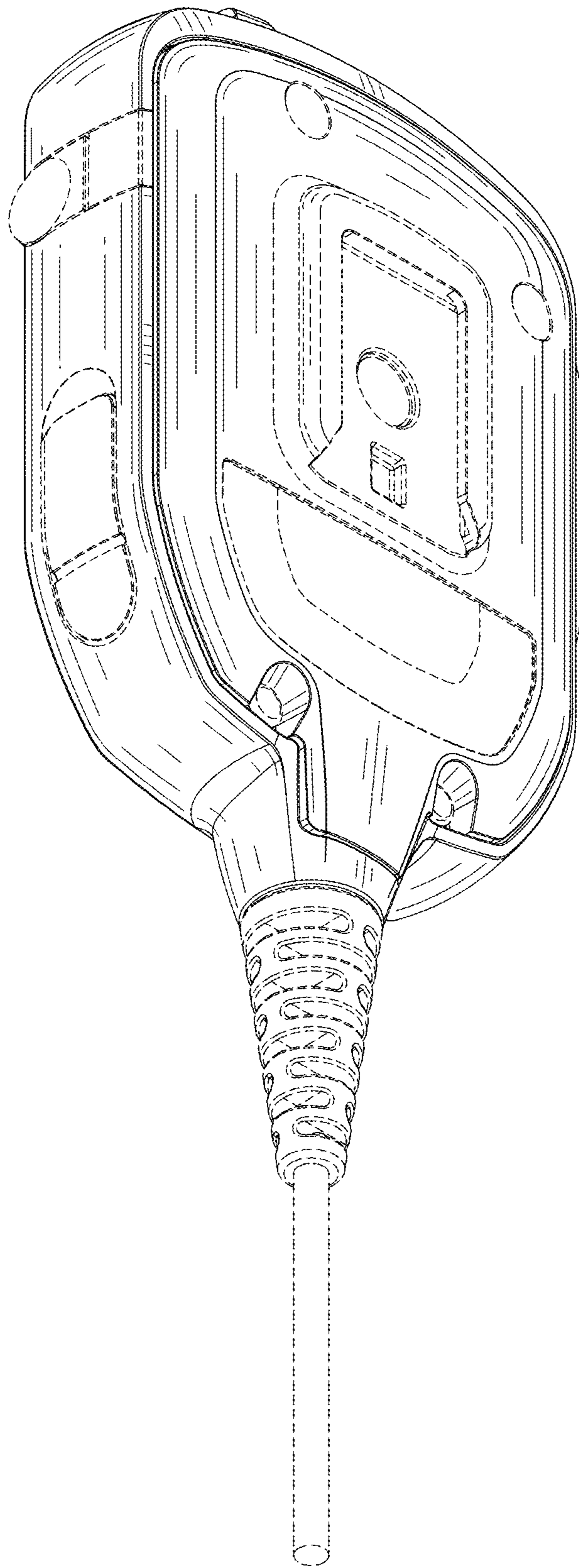


FIG. 2

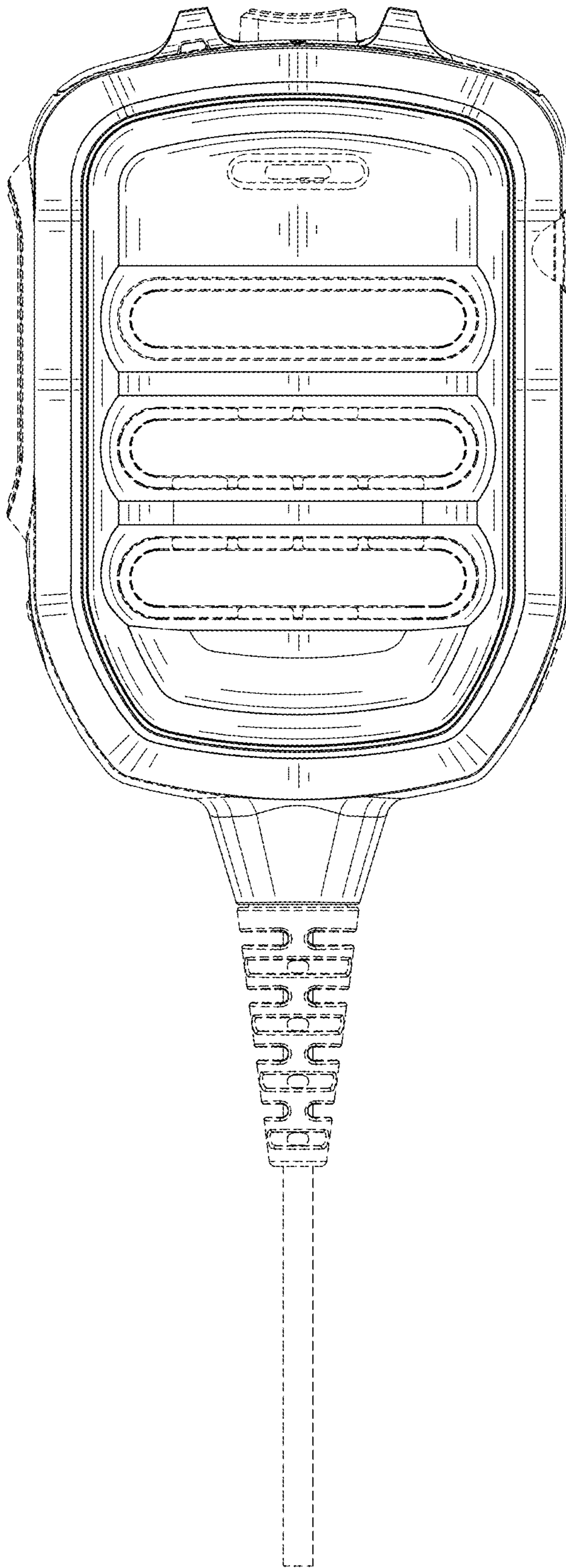


FIG. 3

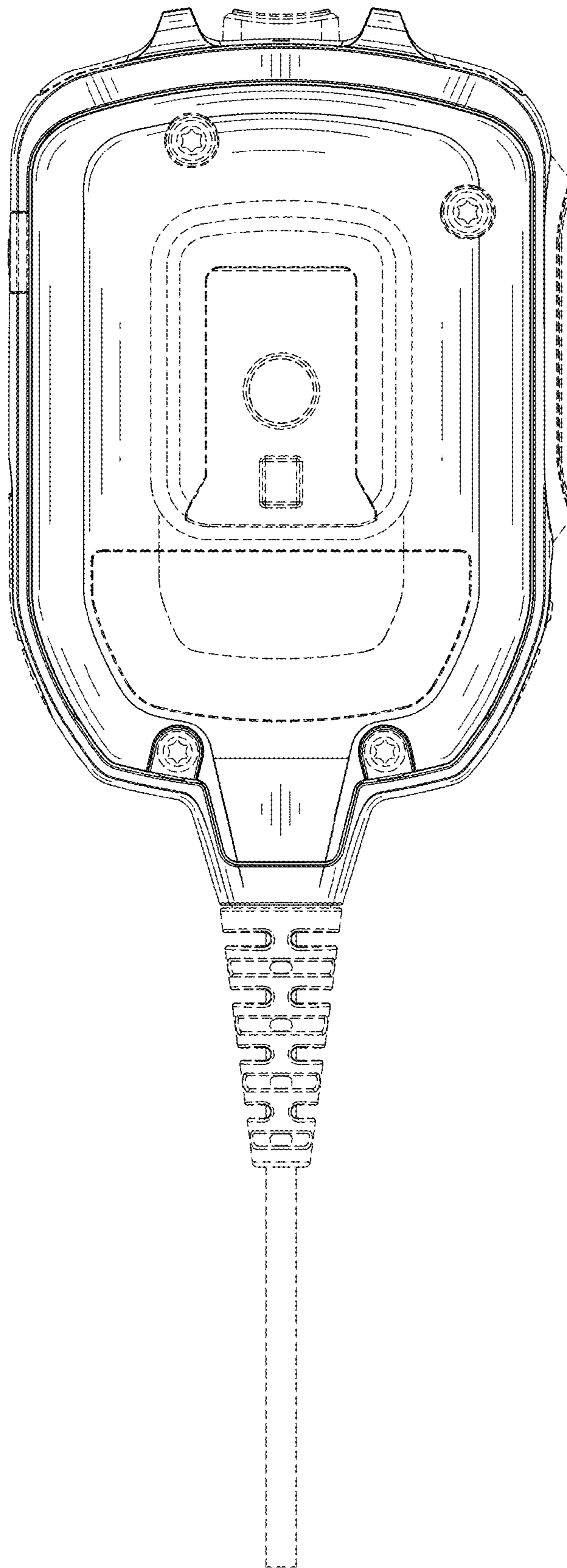


FIG. 4

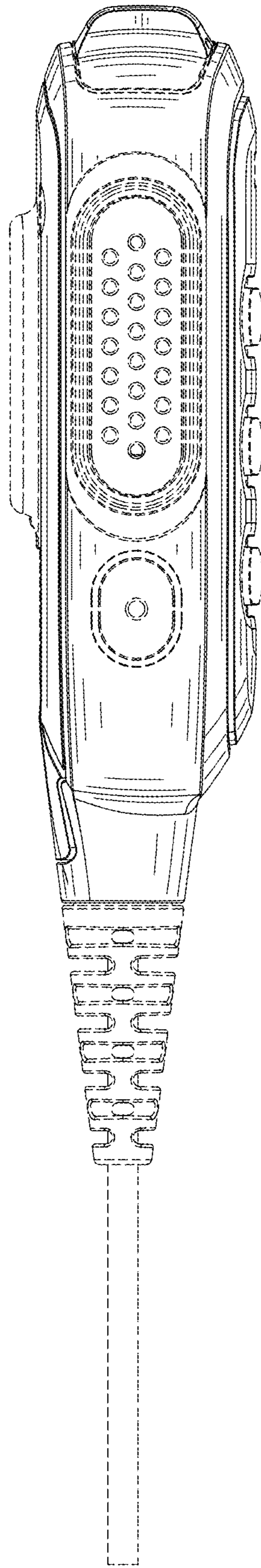


FIG. 5

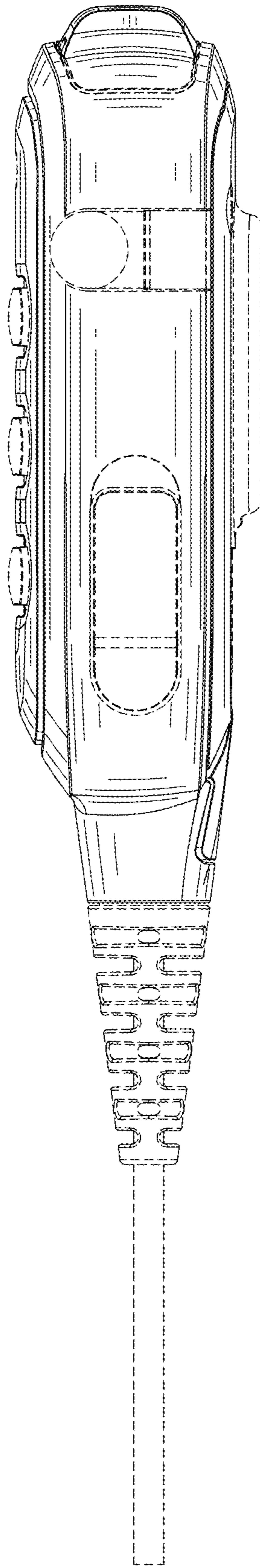


FIG. 6

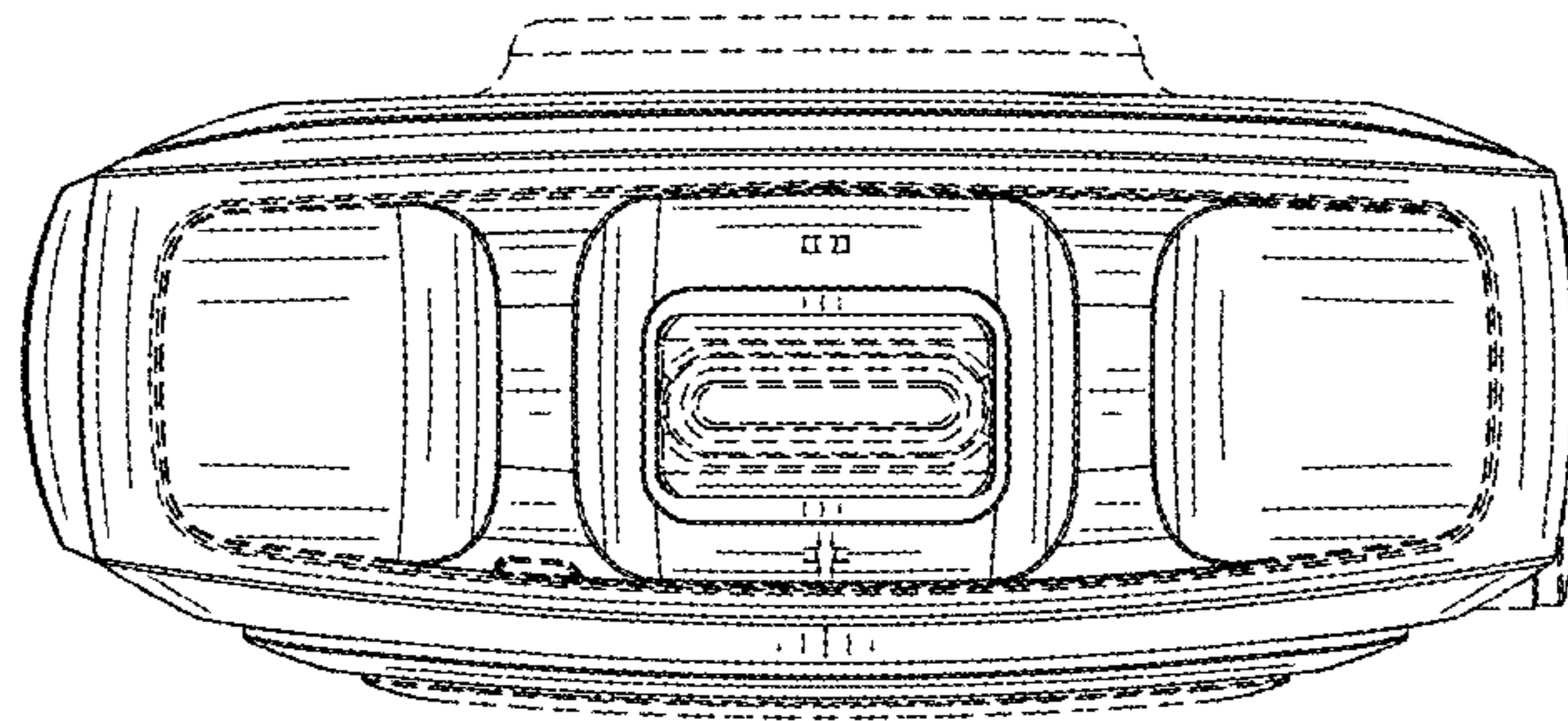


FIG. 7

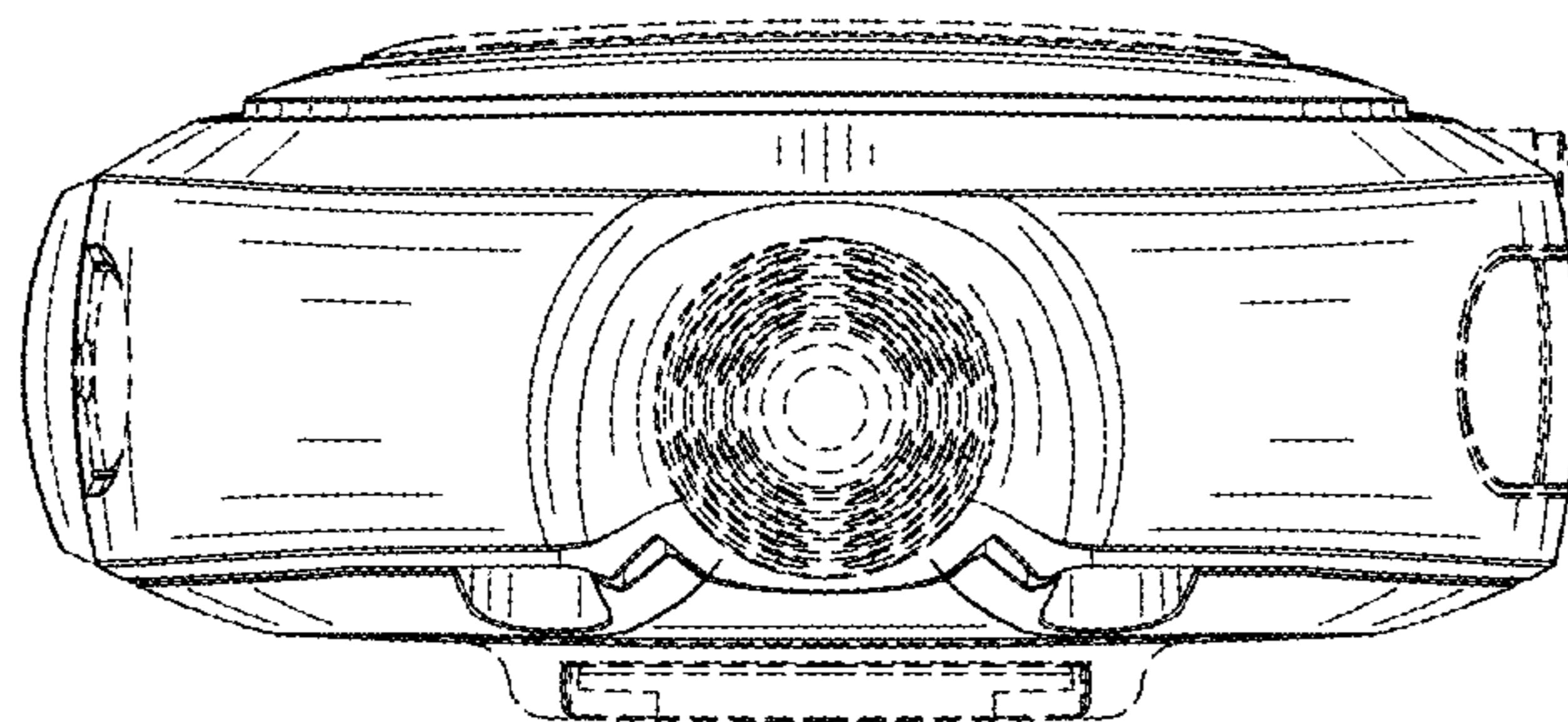


FIG. 8