



US00D881849S

(12) **United States Design Patent** (10) **Patent No.:** **US D881,849 S**
Aoyagi et al. (45) **Date of Patent:** **** Apr. 21, 2020**

(54) **EARBUD TIP**
 (71) Applicant: **Apple Inc.**, Cupertino, CA (US)
 (72) Inventors: **Shota Aoyagi**, San Francisco, CA (US);
Christopher J. Stringer, Woodside, CA (US)
 (73) Assignee: **Apple Inc.**, Cupertino, CA (US)
 (**) Term: **15 Years**
 (21) Appl. No.: **29/671,904**
 (22) Filed: **Nov. 30, 2018**

4,407,389 A 10/1983 Johnson
 D272,904 S 3/1984 Kawano
 4,453,050 A 6/1984 Enokido
 D284,859 S 7/1986 Okada
 D293,107 S 12/1987 Muller
 4,791,673 A 12/1988 Schreiber
 5,210,792 A 5/1993 Kajihara
 D357,479 S 4/1995 Coomans
 D368,309 S 3/1996 Narisawa
 D375,313 S 11/1996 Jensen et al.
 5,655,026 A 8/1997 Peters et al.
 D388,093 S 12/1997 Frengley
 D419,564 S 1/2000 Mcdonald et al.
 6,041,128 A 3/2000 Narisawa et al.
 6,101,260 A 8/2000 Jensen et al.

(Continued)

Related U.S. Application Data

(63) Continuation of application No. 29/576,724, filed on Sep. 6, 2016, now Pat. No. Des. 835,077.
 (51) **LOC (12) Cl.** **14-01**
 (52) **U.S. Cl.**
 USPC **D14/223**
 (58) **Field of Classification Search**
 USPC D14/205–206, 223; D29/112
 CPC H04R 1/1066; H04R 1/1016; H04R 25/00;
 H04R 1/10; H04R 5/0335; H04R 5/033
 See application file for complete search history.

References Cited

U.S. PATENT DOCUMENTS

1,368,307 A 2/1921 Waldron
 1,564,474 A 12/1925 Fensky
 2,151,706 A 3/1939 Lieber
 2,403,418 A 7/1946 Volkmann
 2,468,721 A 4/1949 Volkmann
 3,019,306 A 1/1962 Weiss
 3,030,458 A 4/1962 Gongoll
 3,192,326 A 6/1965 Chapman
 3,209,080 A 9/1965 Guttner et al.
 3,702,123 A 11/1972 Macken et al.
 3,826,987 A 7/1974 Stevens

FOREIGN PATENT DOCUMENTS

KR 30-0704428 8/2013

Primary Examiner — Michael A. Pratt

(74) *Attorney, Agent, or Firm* — Sterne, Kessler, Goldstein & Fox P.L.L.C.

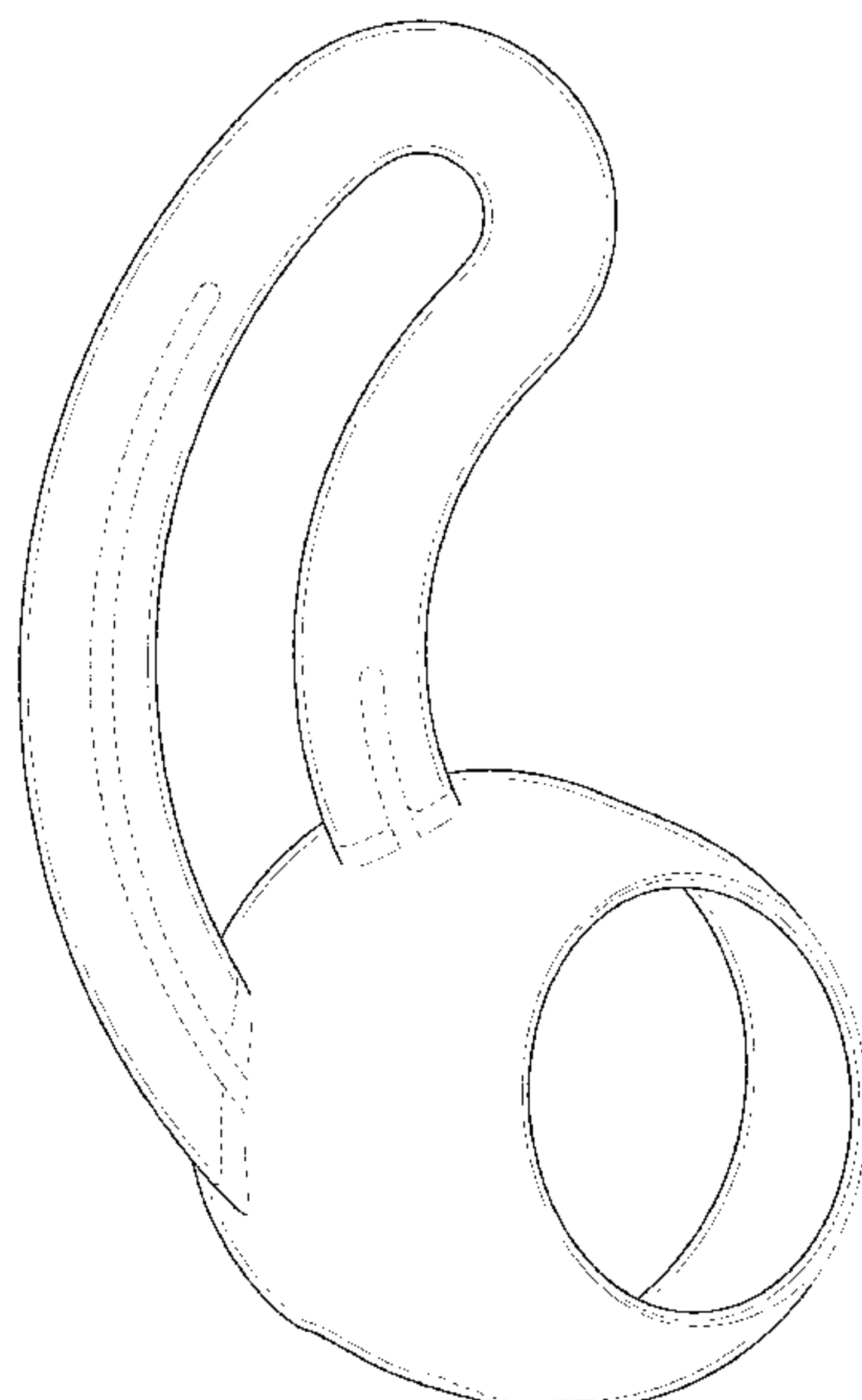
(57) **CLAIM**

The ornamental design for an earbud tip, as shown and described.

DESCRIPTION

FIG. 1 is a top front perspective view of an earbud tip showing the claimed design;
 FIG. 2 is a top rear perspective view thereof;
 FIG. 3 is a front view thereof;
 FIG. 4 is a rear view thereof;
 FIG. 5 is a left side view thereof;
 FIG. 6 is a right side view thereof;
 FIG. 7 is a top view thereof; and,
 FIG. 8 is a bottom view thereof.
 The broken lines in the figures show portions of the earbud tip that form no part of the claimed design.

1 Claim, 8 Drawing Sheets



(56)

References Cited

U.S. PATENT DOCUMENTS

D439,890 S 4/2001 Skulley et al.
 D460,749 S 7/2002 Liu
 D463,791 S 10/2002 Nagai et al.
 D469,755 S 2/2003 Hlas et al.
 D471,537 S 3/2003 Ham
 D471,889 S 3/2003 Rath et al.
 D478,574 S 8/2003 Ming
 D480,711 S 10/2003 Kuan
 D487,078 S 2/2004 Chen
 D494,569 S 8/2004 Ma
 D494,570 S 8/2004 Ma
 6,772,853 B2 8/2004 Yang
 D497,613 S 10/2004 Gwee
 D498,750 S 11/2004 Ma
 D505,132 S 5/2005 Linville et al.
 D514,094 S 1/2006 Griffin
 D514,549 S 2/2006 Rath et al.
 D528,531 S 9/2006 Rose et al.
 D529,901 S 10/2006 Ohta
 D538,792 S 3/2007 Kim et al.
 D539,787 S 4/2007 Kim et al.
 D550,215 S 9/2007 Udagawa et al.
 D553,613 S 10/2007 Sade et al.
 D566,103 S 4/2008 Sade et al.
 D566,735 S 4/2008 Wise
 D574,367 S 8/2008 Jaakkola et al.
 D579,924 S 11/2008 Sade et al.
 D579,925 S 11/2008 Jaakkola et al.
 D585,429 S 1/2009 Dean
 D590,813 S 4/2009 Bradford et al.
 7,539,525 B2 5/2009 Kim
 D617,316 S 6/2010 Elabidi et al.
 D618,219 S 6/2010 Burgett et al.
 D619,566 S 7/2010 Yu
 D621,817 S 8/2010 Brickstad
 D622,265 S 8/2010 Rye
 D622,704 S 8/2010 Fahrendorff et al.
 7,778,410 B2 8/2010 Liu et al.
 D628,188 S 11/2010 Koch
 D628,990 S 12/2010 Pedersen
 D634,306 S 3/2011 Pedersen
 7,949,127 B2 5/2011 Pedersen et al.

D640,670 S 6/2011 Rye
 7,965,855 B1 6/2011 Ham
 D641,008 S 7/2011 Lee et al.
 D644,212 S 8/2011 Quek
 D644,213 S 8/2011 Quek
 D645,458 S 9/2011 Silvestri et al.
 D647,514 S 10/2011 Wikel et al.
 D654,057 S 2/2012 Burgett et al.
 D655,693 S 3/2012 Silvestri et al.
 D664,124 S 7/2012 Smith et al.
 D685,343 S 7/2013 Fletcher et al.
 D699,215 S 2/2014 Koch et al.
 8,737,669 B2 5/2014 Monahan et al.
 D707,201 S 6/2014 Arjomand
 D712,880 S 9/2014 Lin
 D715,253 S 10/2014 Lee et al.
 D716,770 S 11/2014 Bonahoom et al.
 D726,147 S 4/2015 Tran et al.
 D729,764 S 5/2015 Arjomand
 D732,008 S 6/2015 Akana et al.
 D742,362 S 11/2015 Bonahoom et al.
 D753,626 S 4/2016 Tran
 D755,159 S 5/2016 Birger
 D759,633 S 6/2016 Gondo
 D763,224 S 8/2016 Silvestri et al.
 D777,149 S 1/2017 Bonahoom et al.
 D785,594 S 5/2017 Zaihui
 D801,302 S 10/2017 Lai
 D810,720 S 2/2018 Lee
 D812,039 S 3/2018 Narasaki et al.
 D828,327 S 9/2018 Birger
 D866,532 S * 11/2019 Zhang D14/223
 D870,695 S * 12/2019 Min D14/205
 10,506,326 B2 * 12/2019 Prevoir H04R 1/105
 10,511,901 B2 * 12/2019 Garrett H04R 1/1016
 D872,051 S * 1/2020 Murdock D14/206
 D873,238 S * 1/2020 Wen D14/205
 10,531,174 B2 * 1/2020 Prevoir H04R 25/652
 10,536,764 B2 * 1/2020 Beaudoin H04R 1/1016
 2002/0172386 A1 11/2002 Bayer
 2006/0291686 A1 12/2006 Hlas et al.
 2009/0180654 A1 7/2009 Nielsen
 2011/0123059 A1 5/2011 Hu
 2011/0255729 A1 10/2011 Tan et al.

* cited by examiner

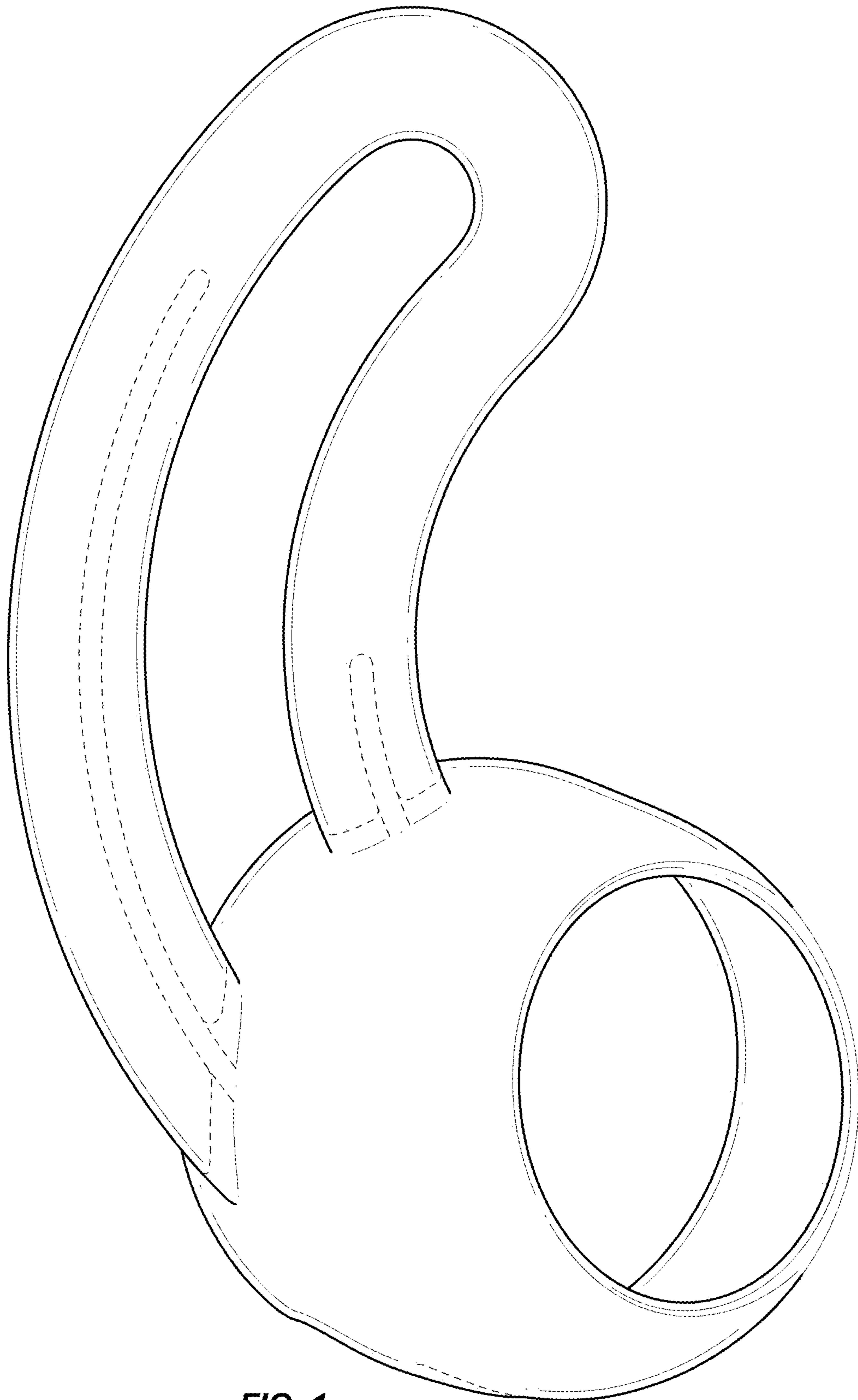


FIG. 1

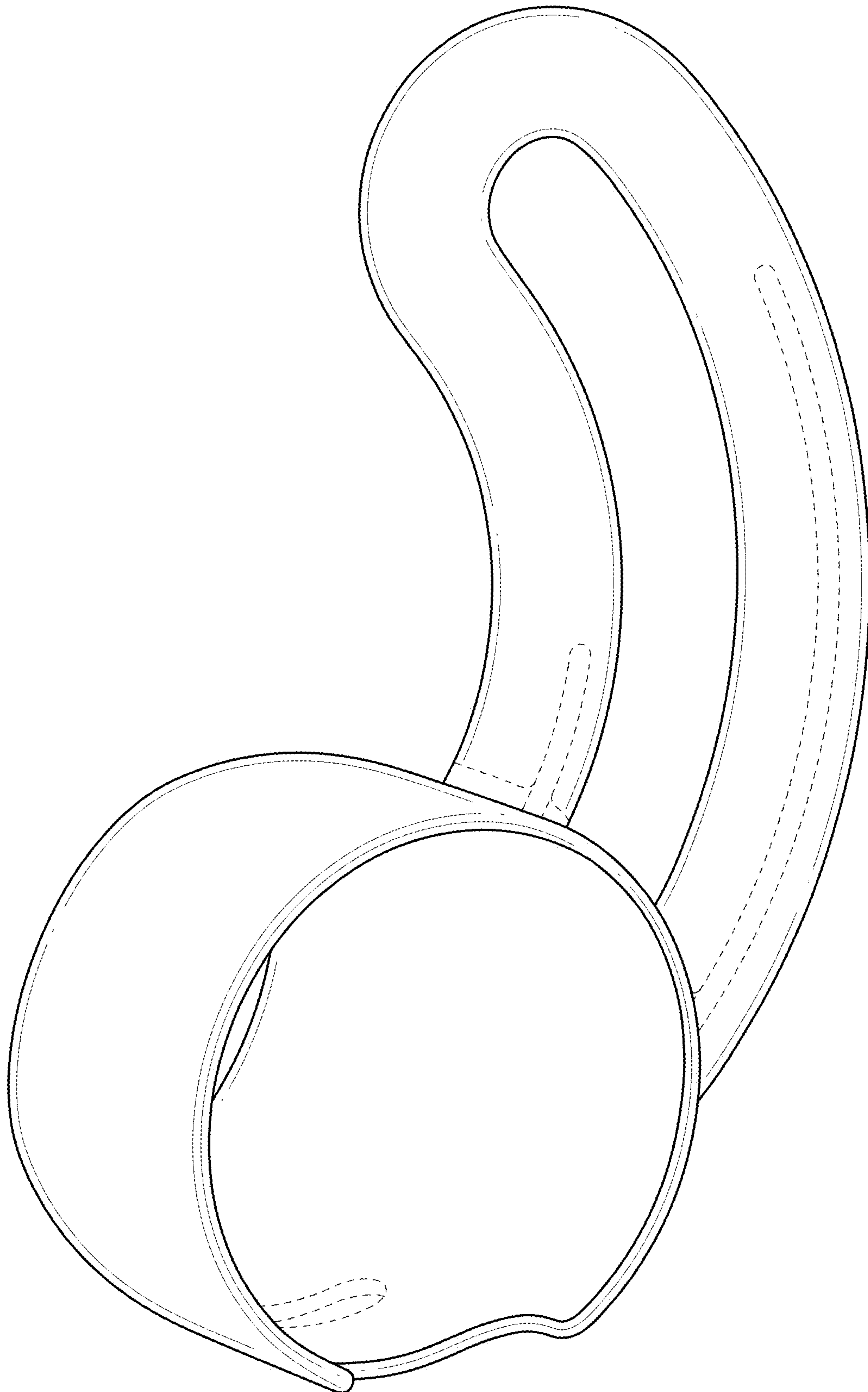


FIG. 2

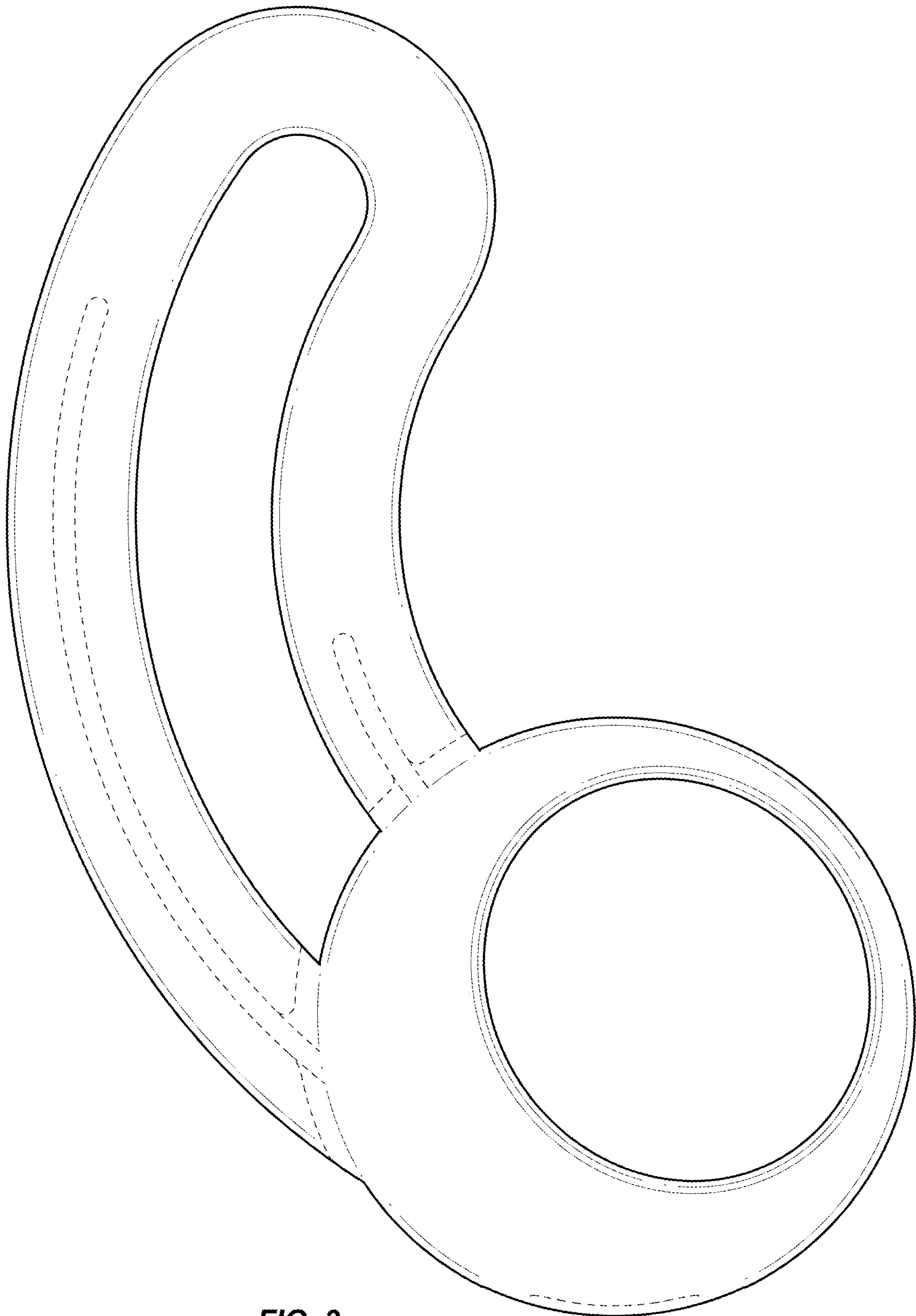


FIG. 3

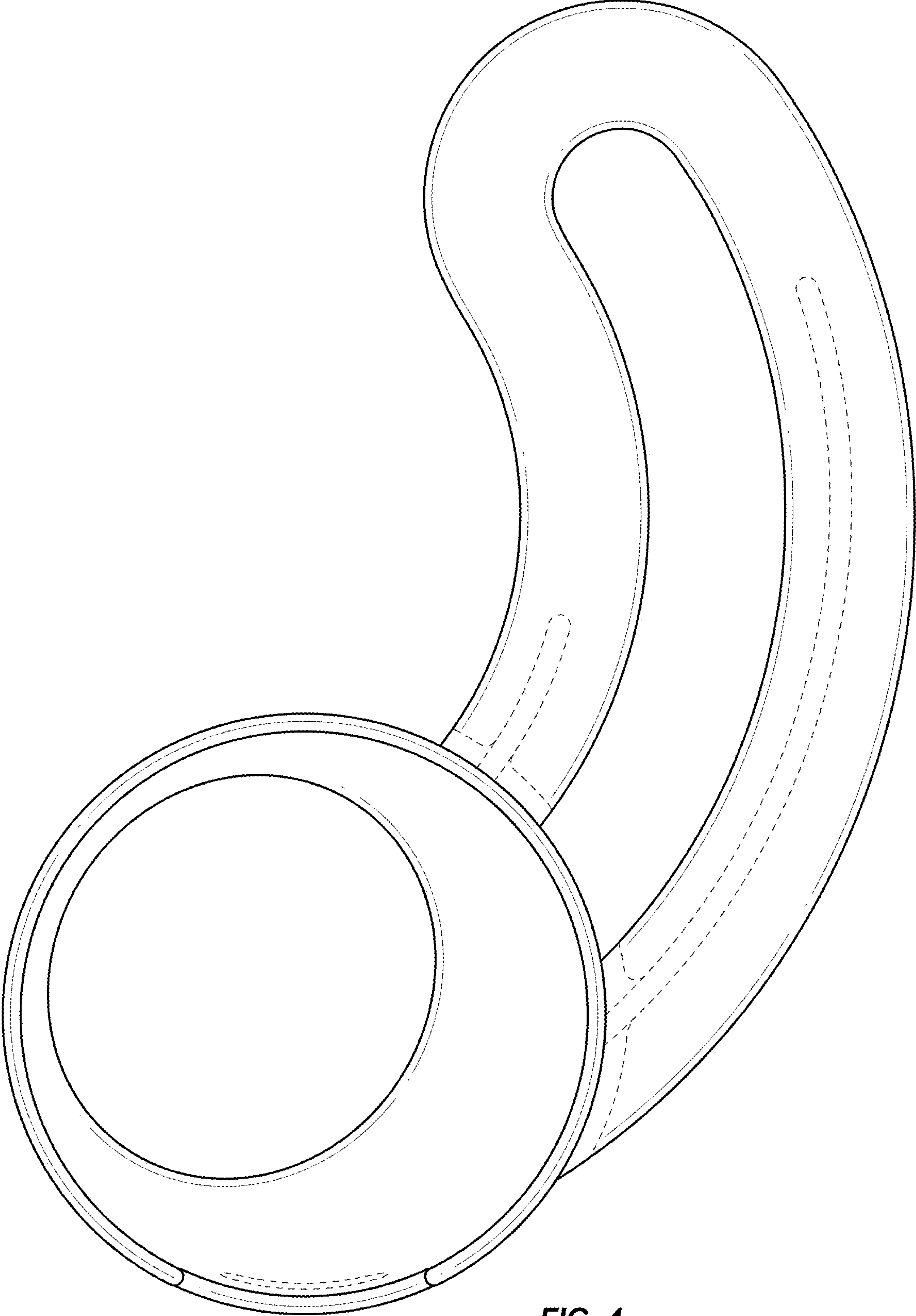


FIG. 4

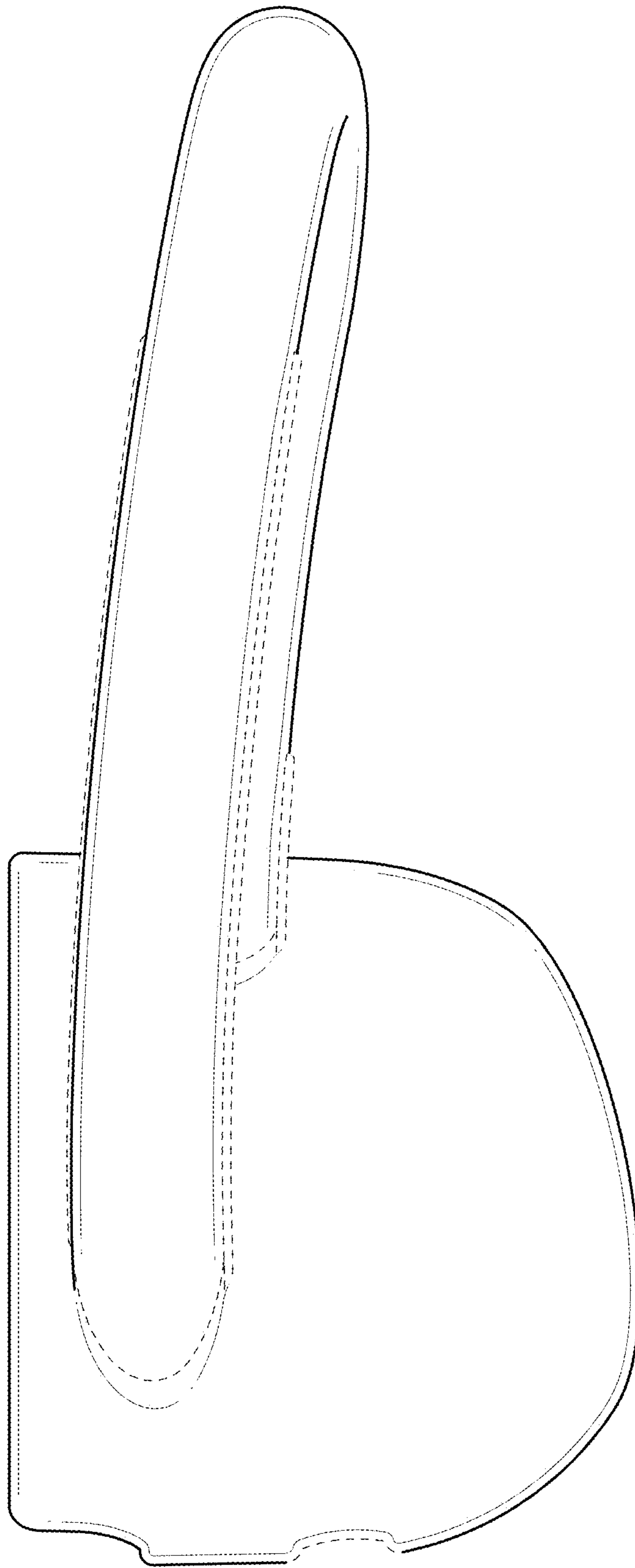


FIG. 5

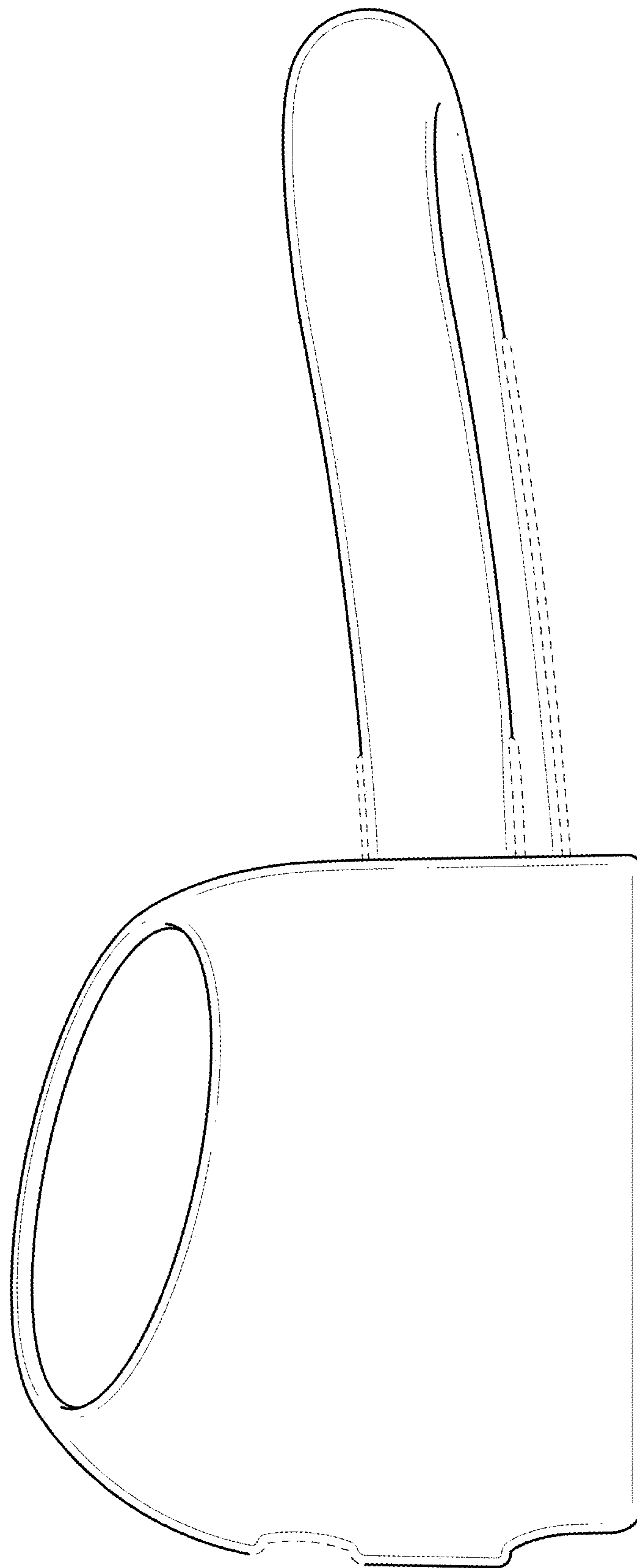


FIG. 6

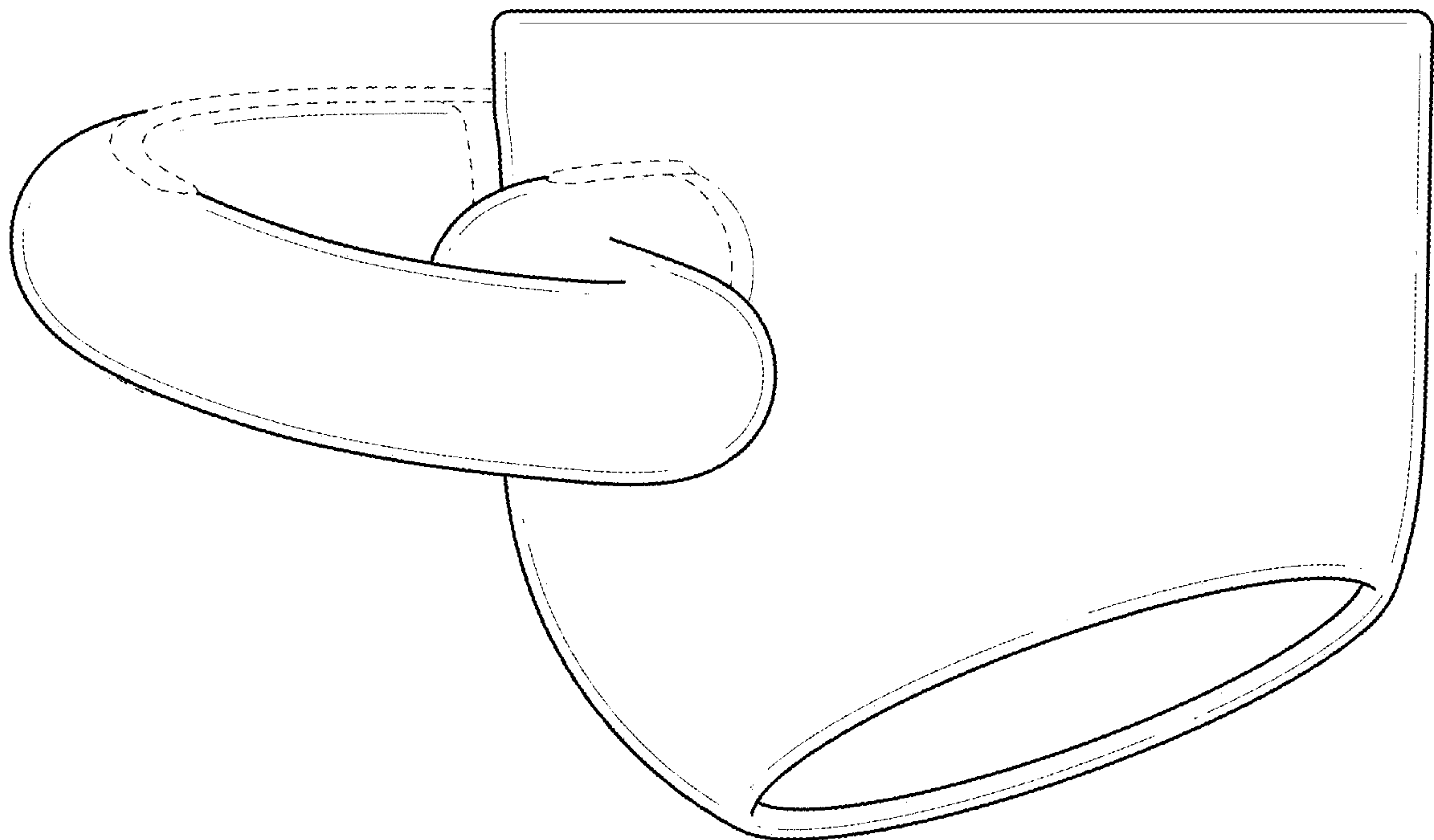


FIG. 7

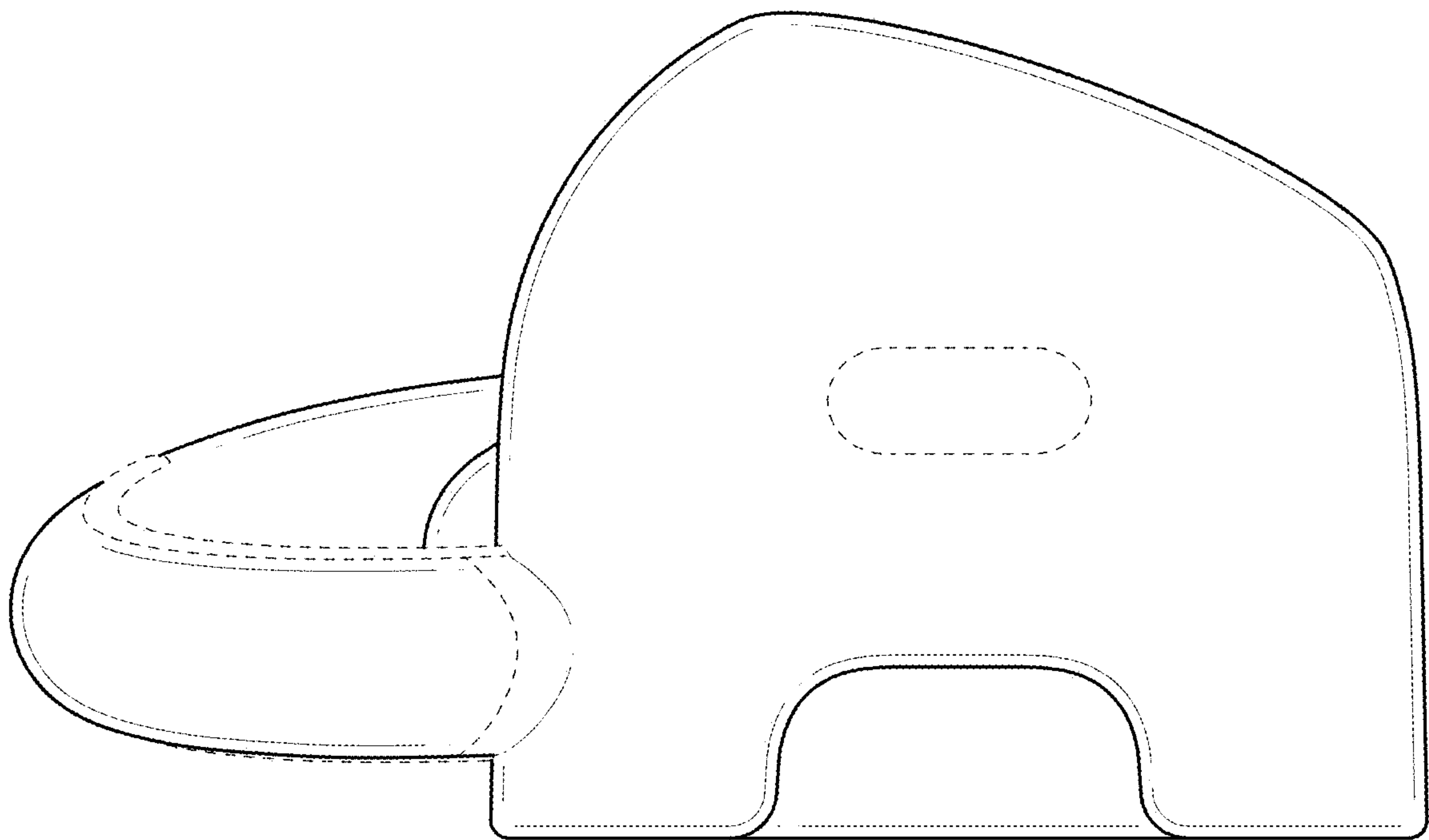


FIG. 8