



US00D881847S

(12) **United States Design Patent**  
**Zhu**

(10) **Patent No.:** **US D881,847 S**  
(45) **Date of Patent:** **\*\* Apr. 21, 2020**

(54) **EARPHONES**

- (71) Applicant: **Xiaodong Chen**, Nanbu County (CN)
- (72) Inventor: **Zusan Zhu**, Shucheng (CN)
- (\*\*) Term: **15 Years**
- (21) Appl. No.: **29/630,401**
- (22) Filed: **Dec. 20, 2017**
- (51) **LOC (12) Cl.** ..... **14-01**
- (52) **U.S. Cl.**  
USPC ..... **D14/223; D14/205**
- (58) **Field of Classification Search**  
USPC .... D14/203.1, 204–206, 208–210, 212–217,  
D14/219, 221–225, 249, 372, 433, 138 R,  
D14/182, 188, 191–194, 172, 496;  
D29/112; D28/41; D2/875;  
D24/173–175, 106; D3/294, 273;  
D13/118, 108, 119  
CPC ..... H04R 25/02; H04R 25/00; H04R 1/10;  
H04R 1/1016; H04R 1/105; H04R  
1/1083; H04R 1/02; H04R 1/1041; H04R  
1/28; H04R 5/033; H04R 2420/07; H04R  
2430/00; H04R 2430/01  
See application file for complete search history.

(56) **References Cited**

**U.S. PATENT DOCUMENTS**

D559,837 S *	1/2008	Nakano	.....	D14/223
D628,990 S *	12/2010	Pedersen	.....	D14/223
D630,621 S *	1/2011	Pedersen	.....	D14/223
D634,306 S *	3/2011	Pedersen	.....	D14/223
D654,866 S *	2/2012	Rautiainen	.....	D13/108
D660,292 S *	5/2012	Rautiainen	.....	D14/223
D660,826 S *	5/2012	Brunner	.....	D14/223
D673,532 S *	1/2013	Lee	.....	D14/223
D685,770 S *	7/2013	Lee	.....	D14/223
D689,848 S *	9/2013	Lee	.....	D14/223
D710,335 S *	8/2014	Yang	.....	D14/223

(Continued)

**FOREIGN PATENT DOCUMENTS**

CN	303275499	*	7/2015
CN	304138897	*	5/2017

(Continued)

*Primary Examiner* — T Chase Nelson

*Assistant Examiner* — Mary Claire Ramirez

(74) *Attorney, Agent, or Firm* — Andrew C. Cheng

(57) **CLAIM**

The ornamental design for earphones, as shown an described.

**DESCRIPTION**

FIG. 1 is a front elevational view of the left earphone and a front elevational view of the right earphone showing the new design;

FIG. 2 is a rear elevation view of the right earphone and a rear elevational view of the left earphone;

FIG. 3 is a left side elevation view of the left earphone, in alignment with and overlapping the right earphone;

FIG. 4 is a right side elevational view of the right earphone, in alignment with and overlapping the left earphone;

FIG. 5 is a top view of the left earphone and a top view of the right earphone;

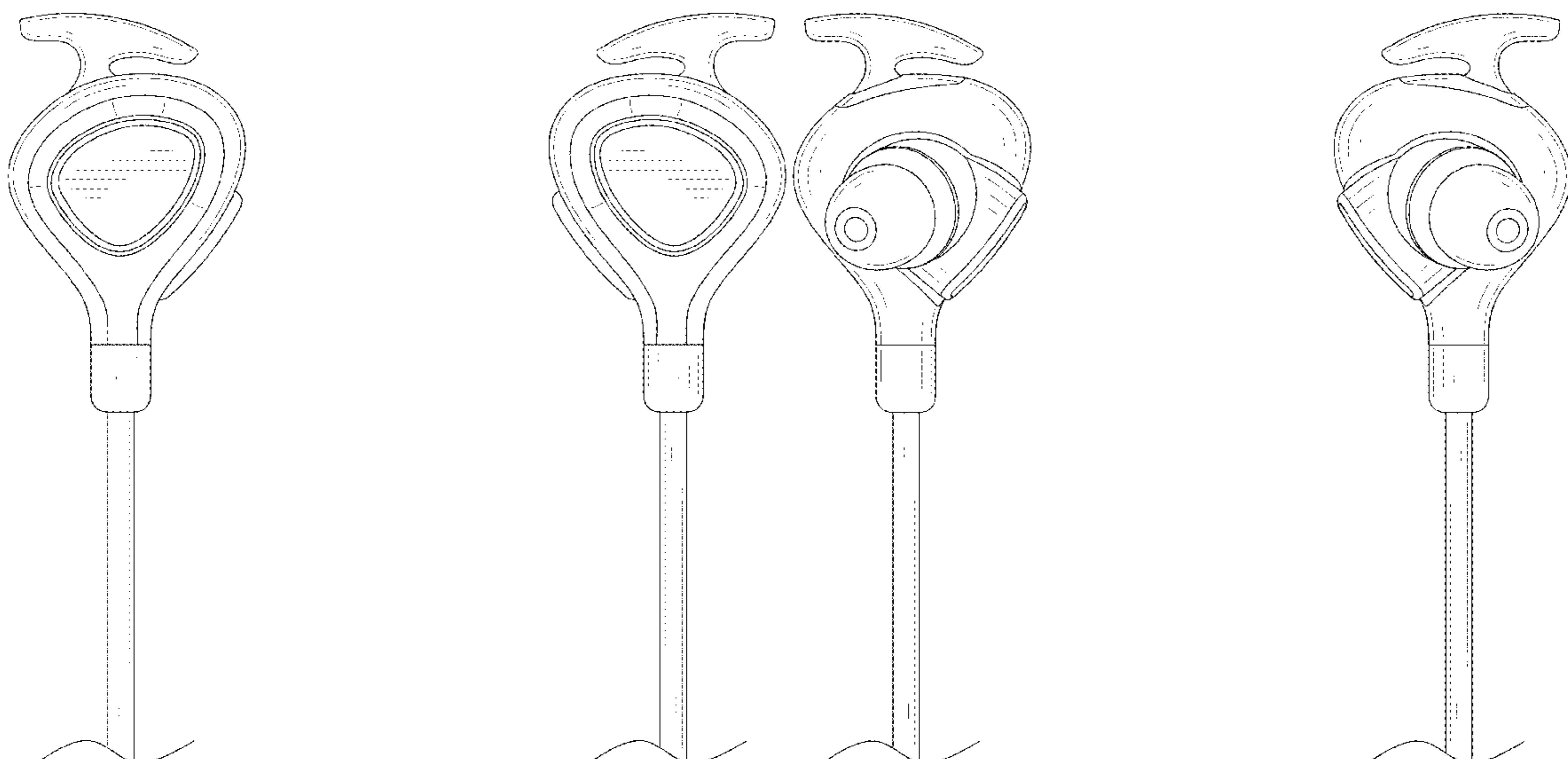
FIG. 6 is a bottom view of the left earphone and a bottom view of the right earphone;

FIG. 7 is a front elevational view of a right earphone and a front elevational view of the left earphone; and,

FIG. 8 is a perspective view of the left earphone and a perspective view of the right earphone.

The earphones are shown with a symbolic break in their length. The appearance of any portion of the earphones shown beyond the break lines forms no part of the claimed design. The symbolic break lines form no part of the claimed design.

**1 Claim, 8 Drawing Sheets**



(56)

**References Cited**

U.S. PATENT DOCUMENTS

D711,850 S \* 8/2014 Ang ..... H04R 1/1066  
D14/205  
D716,255 S \* 10/2014 Cho ..... D14/205  
D747,289 S \* 1/2016 Lee ..... D14/205  
D770,413 S \* 11/2016 Son ..... D14/205  
D788,079 S \* 5/2017 Son ..... D14/223  
D800,703 S \* 10/2017 Vaclavik ..... D14/223  
D820,239 S \* 6/2018 Yoshimura ..... D14/223  
D864,919 S \* 10/2019 Bonahoom ..... D14/223

FOREIGN PATENT DOCUMENTS

CN 304257451 \* 8/2017  
EP 004529121-0001 \* 12/2017

\* cited by examiner

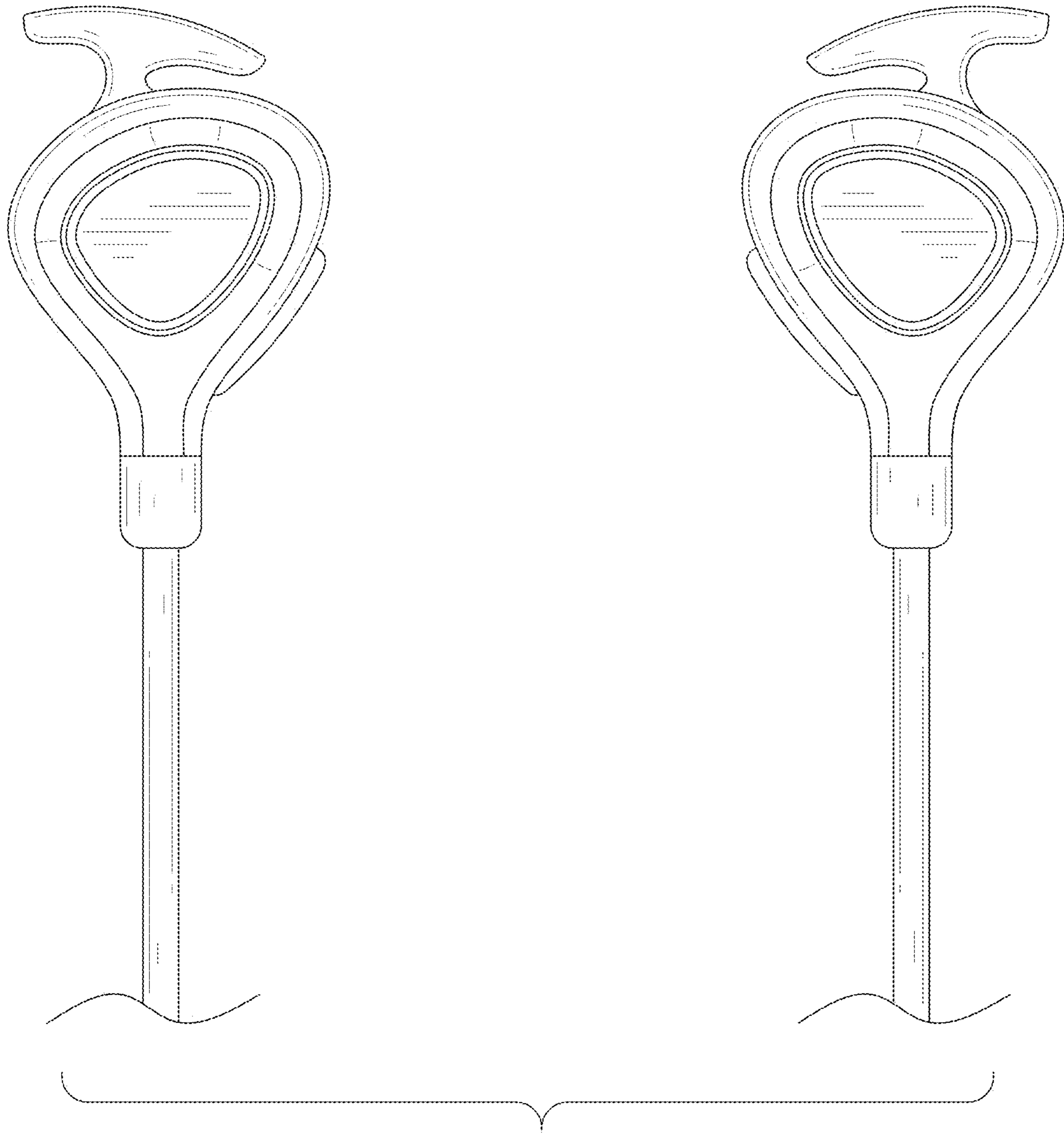


FIG. 1

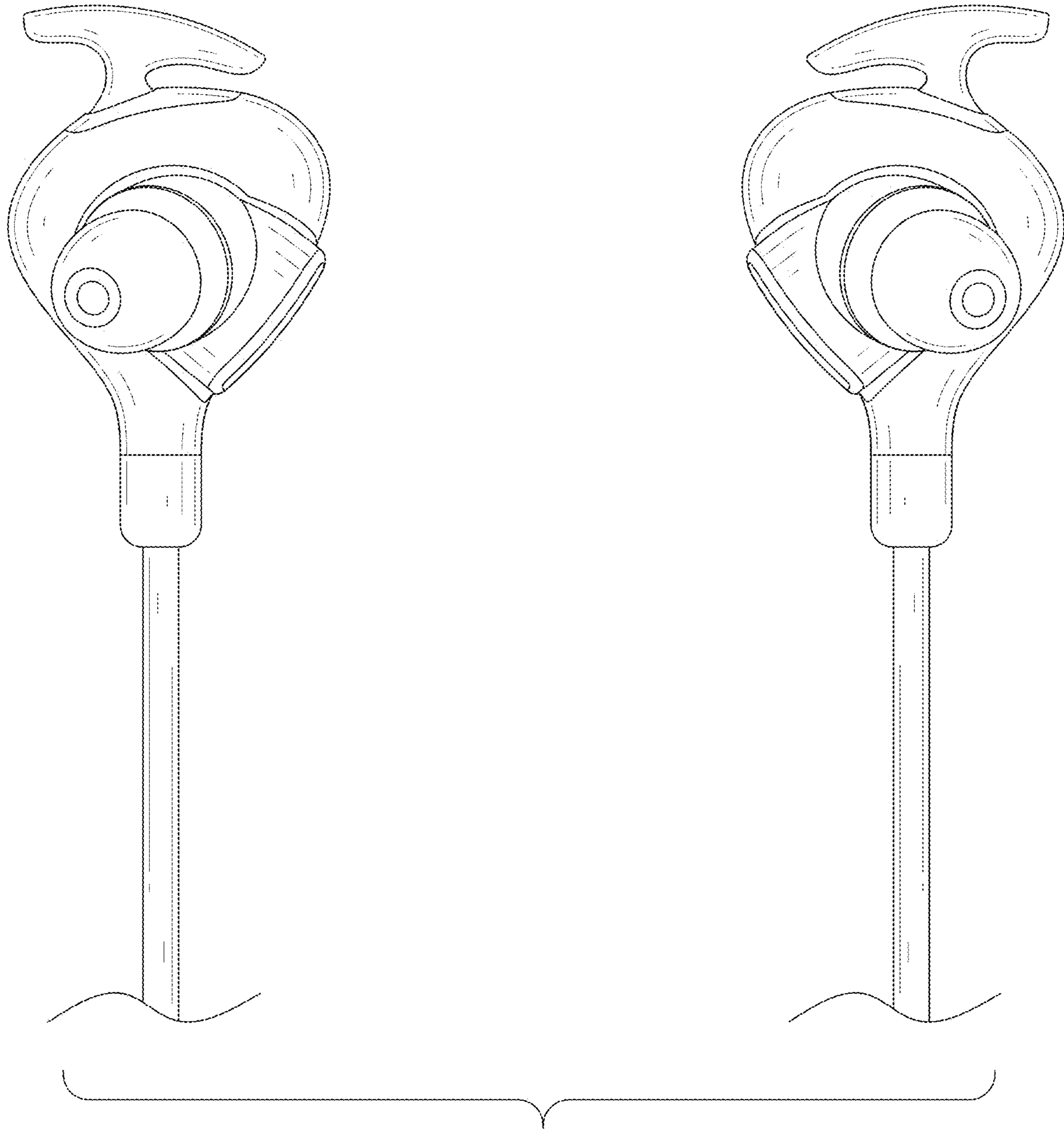


FIG. 2

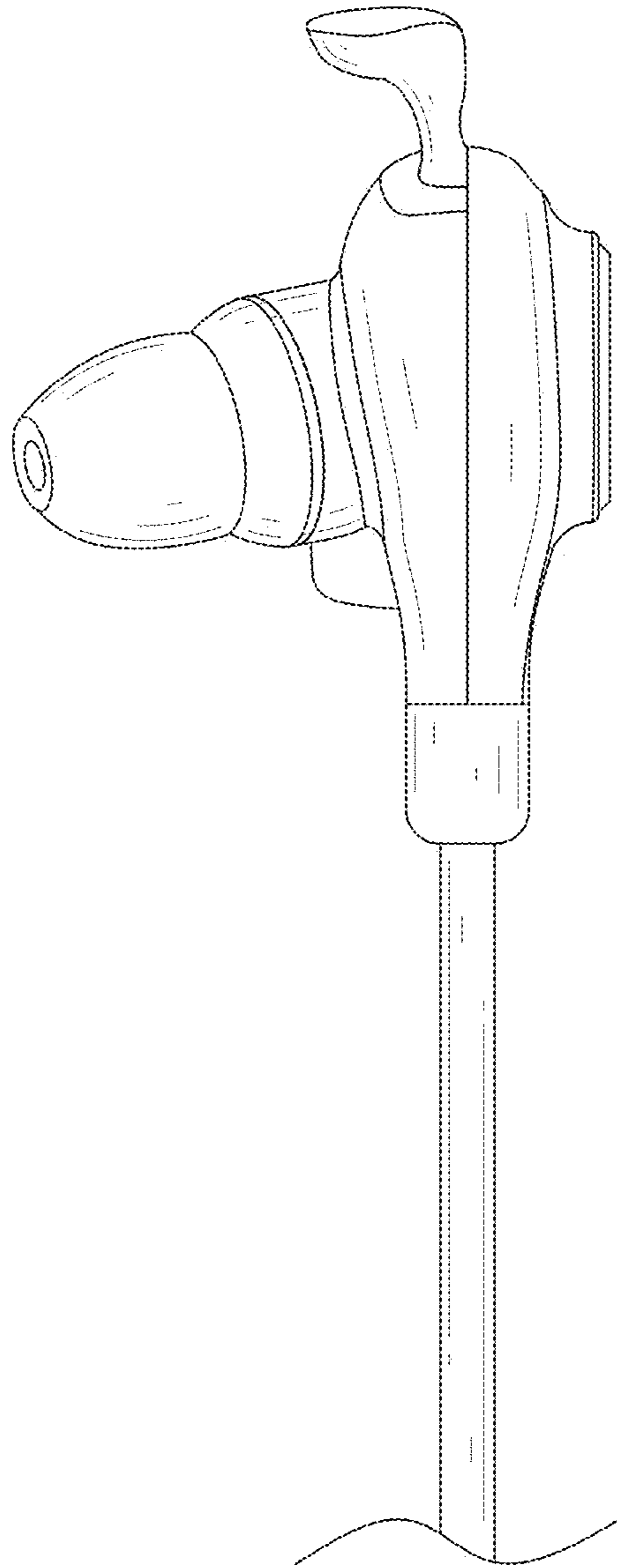


FIG. 3

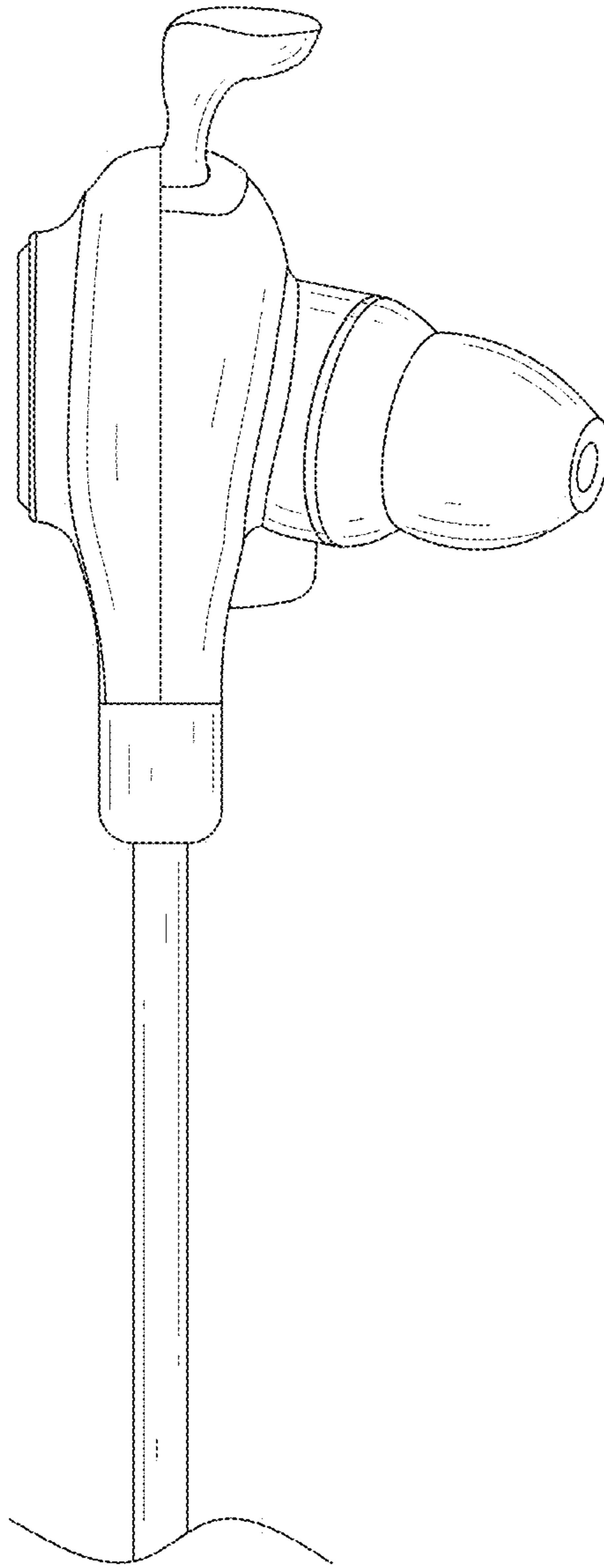


FIG. 4



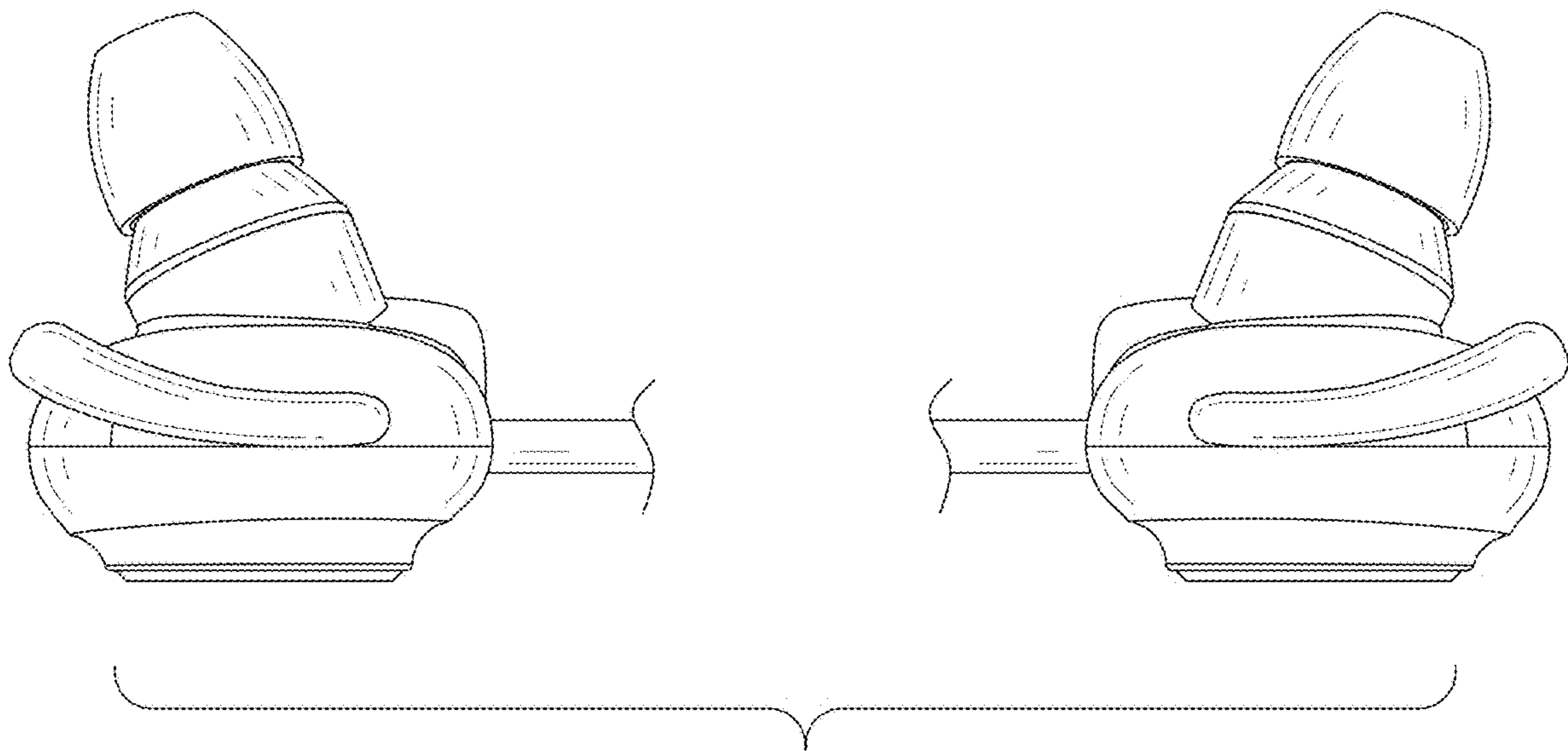


FIG. 5

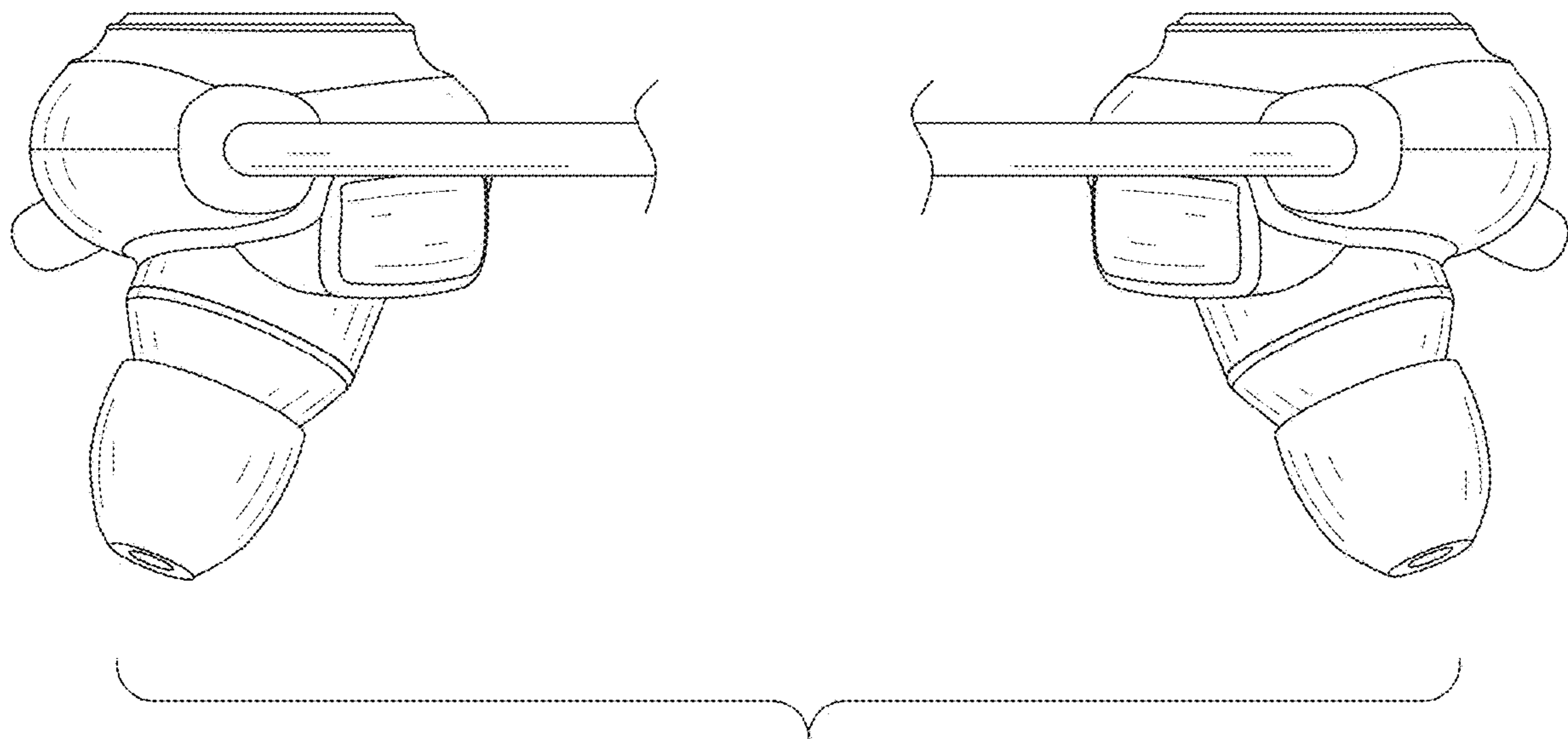


FIG. 6



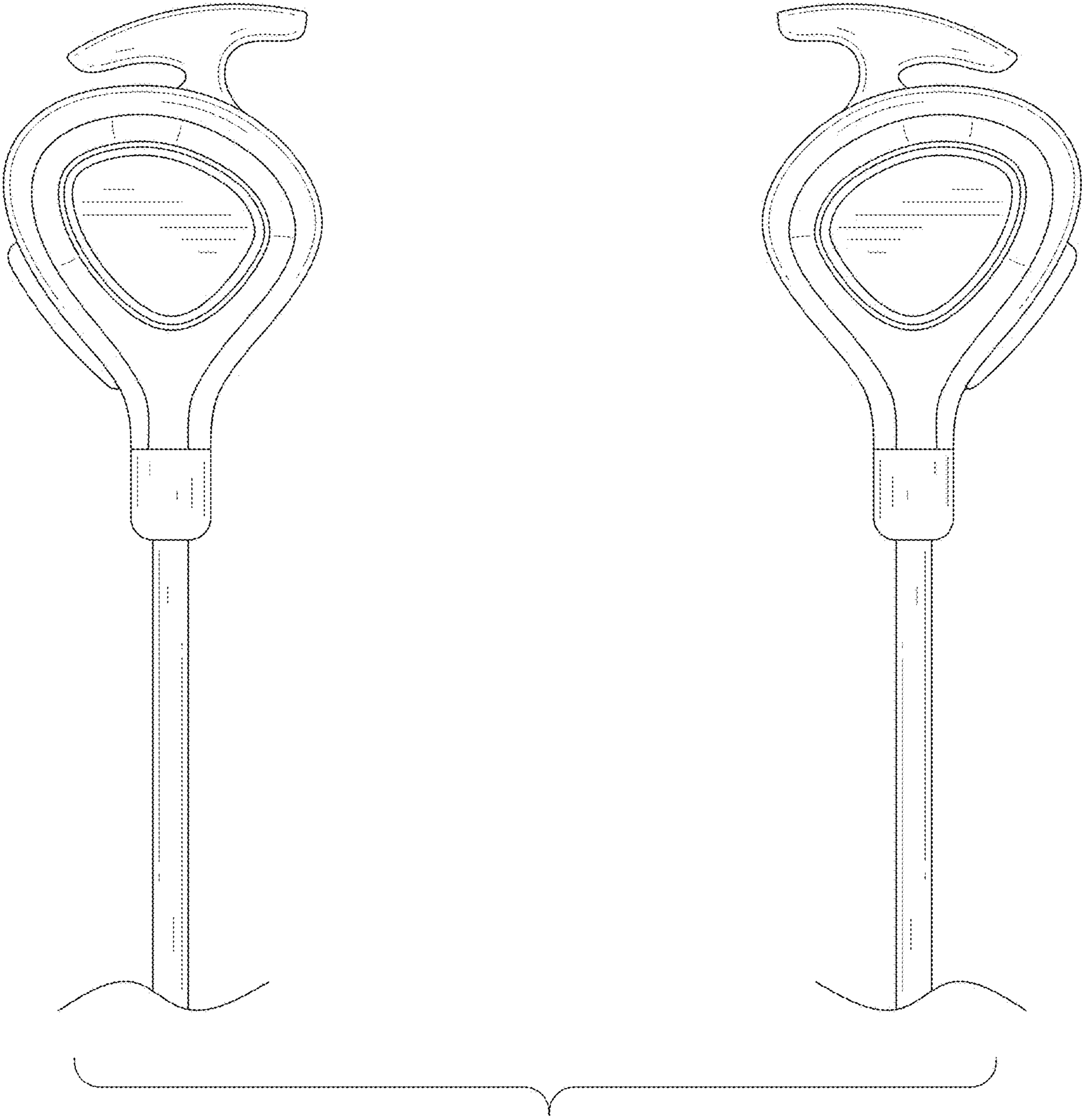


FIG. 7



FIG. 8