



US00D881844S

(12) **United States Design Patent**  
**Lai et al.**

(10) **Patent No.:** **US D881,844 S**

(45) **Date of Patent:** **\*\* Apr. 21, 2020**

(54) **MULTIMEDIA SPEAKER**

2400/00; H04R 2400/07; H04R 2499/11;  
H04R 2499/13; H04R 2499/15; H04S  
3/00; H04S 7/30

(71) Applicant: **Zhong Shan City Li Tai Electronic Industrial Co., Ltd**, Zhongshan, Guangdong (CN)

See application file for complete search history.

(72) Inventors: **Sin Leung Lai**, Guangdong (CN); **Jia Xin Li**, Guangdong (CN)

(56) **References Cited**

(73) Assignee: **Zhong Shan City Li Tai Electronic Industrial Co., Ltd**, Zhongshan (CN)

U.S. PATENT DOCUMENTS

(\*\*) Term: **15 Years**

D252,392 S *	7/1979	Vong .....	D14/199
D497,609 S *	10/2004	Borsboom .....	D14/207
D505,667 S *	5/2005	Okada .....	D14/168
D610,127 S *	2/2010	Daniele .....	D14/204
D727,290 S *	4/2015	Kim .....	D14/208
D756,960 S *	5/2016	Bapu .....	D14/208
D797,699 S *	9/2017	Kuramoto .....	D14/203.4

(21) Appl. No.: **29/649,531**

\* cited by examiner

(22) Filed: **May 31, 2018**

*Primary Examiner* — Keli L Hill

(30) **Foreign Application Priority Data**

(57) **CLAIM**

Dec. 7, 2017 (CN) ..... 2017 3 0620056

The ornamental design for a multimedia speaker, as shown and described.

(51) **LOC (12) Cl.** ..... **14-01**

**DESCRIPTION**

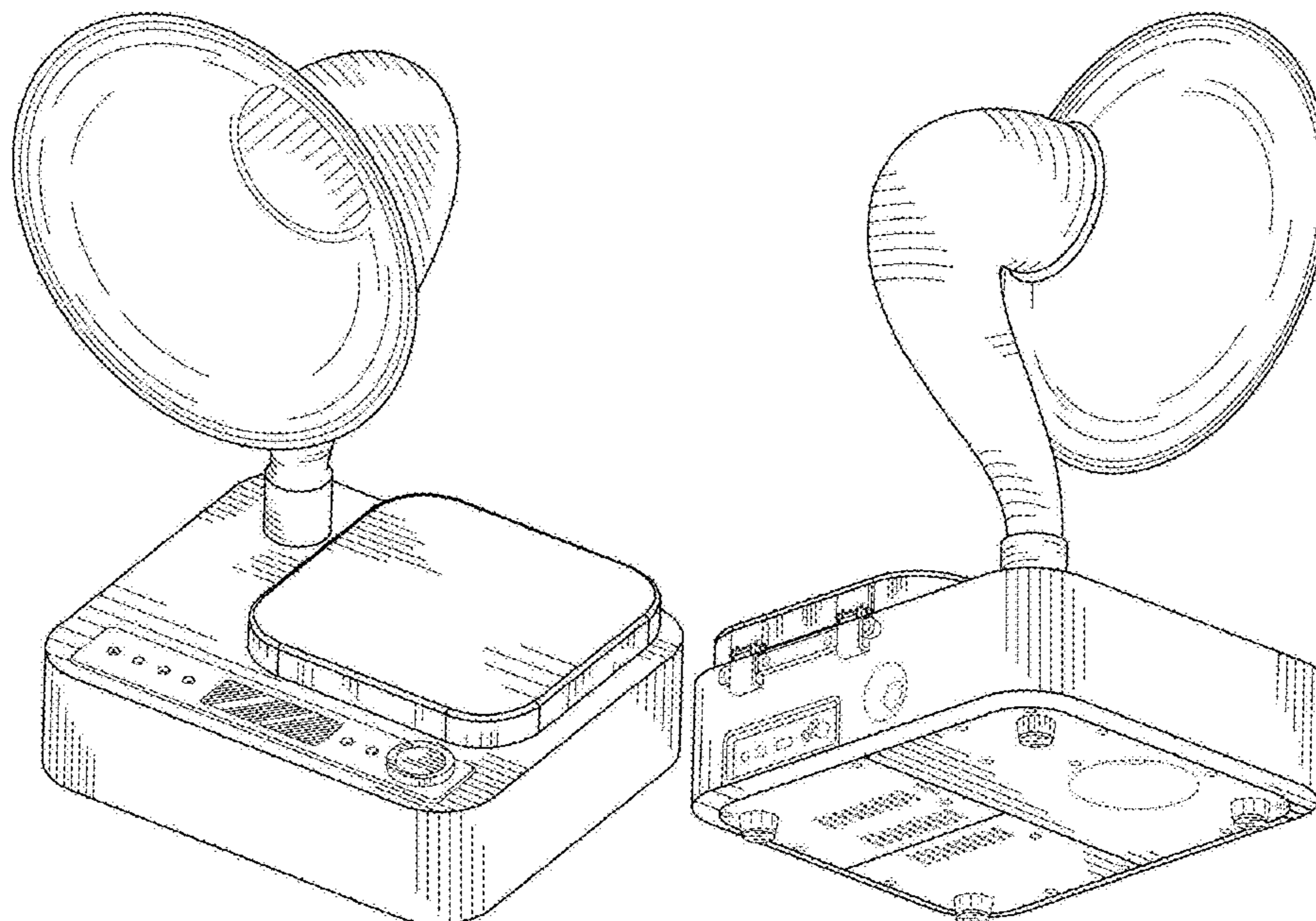
(52) **U.S. Cl.**  
USPC ..... **D14/208**

(58) **Field of Classification Search**  
 USPC ..... D14/167, 168, 170–172, 188, 194–196, D14/204, 209.1, 210–216, 219, 221, 222, D14/224, 239, 496, 169, 173–176, 180, D14/184, 199–203, 208  
 CPC ..... B60R 11/0217; G06F 1/1688; G10K 9/22; G10K 11/004; H03F 1/327; H04M 1/03; H04M 1/035; H04N 5/642; H04N 21/4852; H04R 1/02; H04R 1/06; H04R 1/021; H04R 1/025; H04R 1/026; H04R 1/028; H04R 1/105; H04R 1/323; H04R 1/403; H04R 1/2803; H04R 1/2834; H04R 5/02; H04R 7/20; H04R 9/06; H04R 9/025; H04R 2201/021; H04R

FIG. 1 is a front elevational view of a multimedia speaker showing our new design;  
 FIG. 2 is a rear elevational view thereof;  
 FIG. 3 is a left side view thereof;  
 FIG. 4 is a right side view thereof;  
 FIG. 5 is a top plan view thereof;  
 FIG. 6 is a bottom plan view thereof;  
 FIG. 7 is a top, front and right side perspective view thereof; and,  
 FIG. 8 is a bottom, rear and left side perspective view thereof.

The broken lines in the drawings illustrate portions of the multimedia speaker which form no part of the claimed design.

**1 Claim, 8 Drawing Sheets**



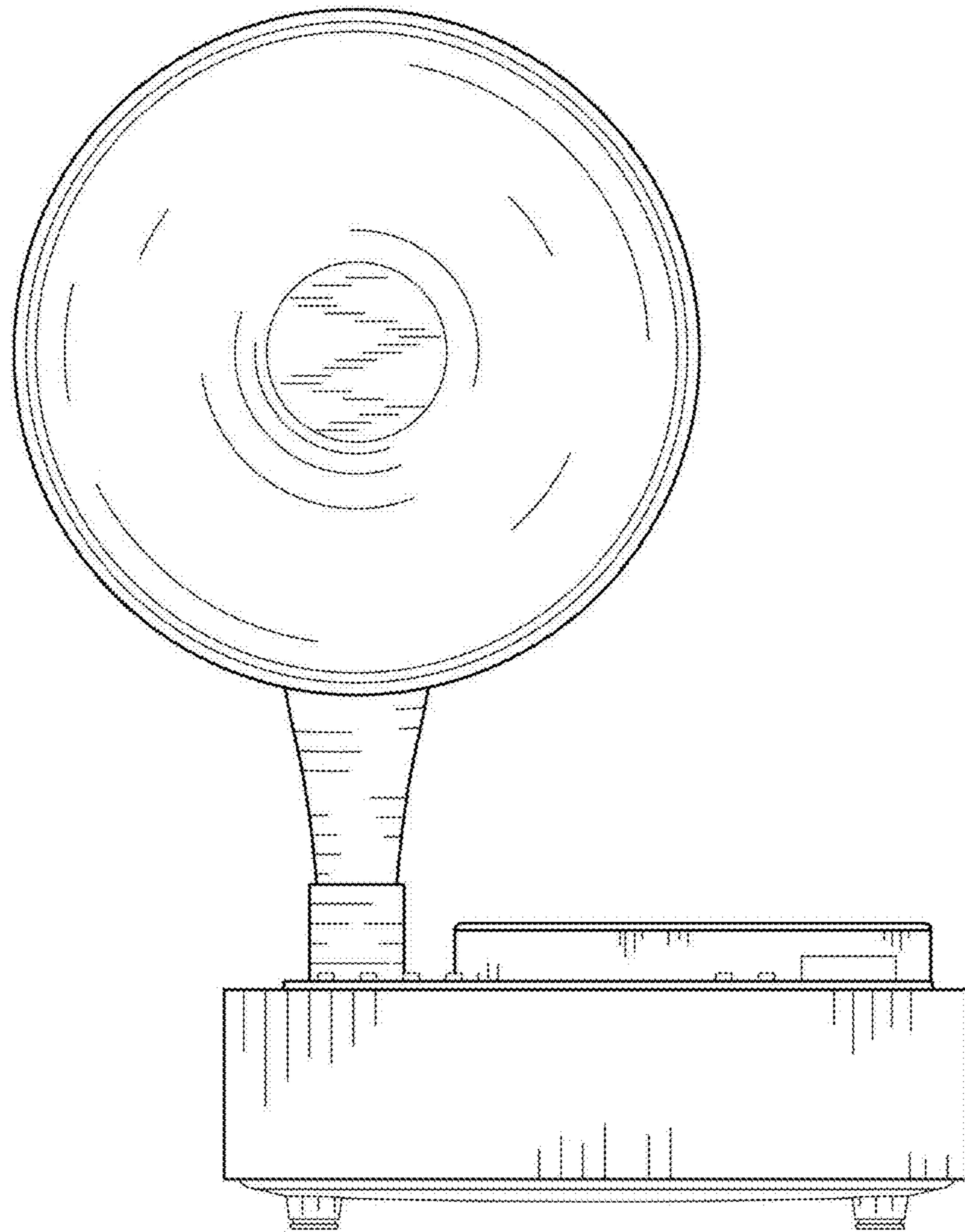


Fig. 1

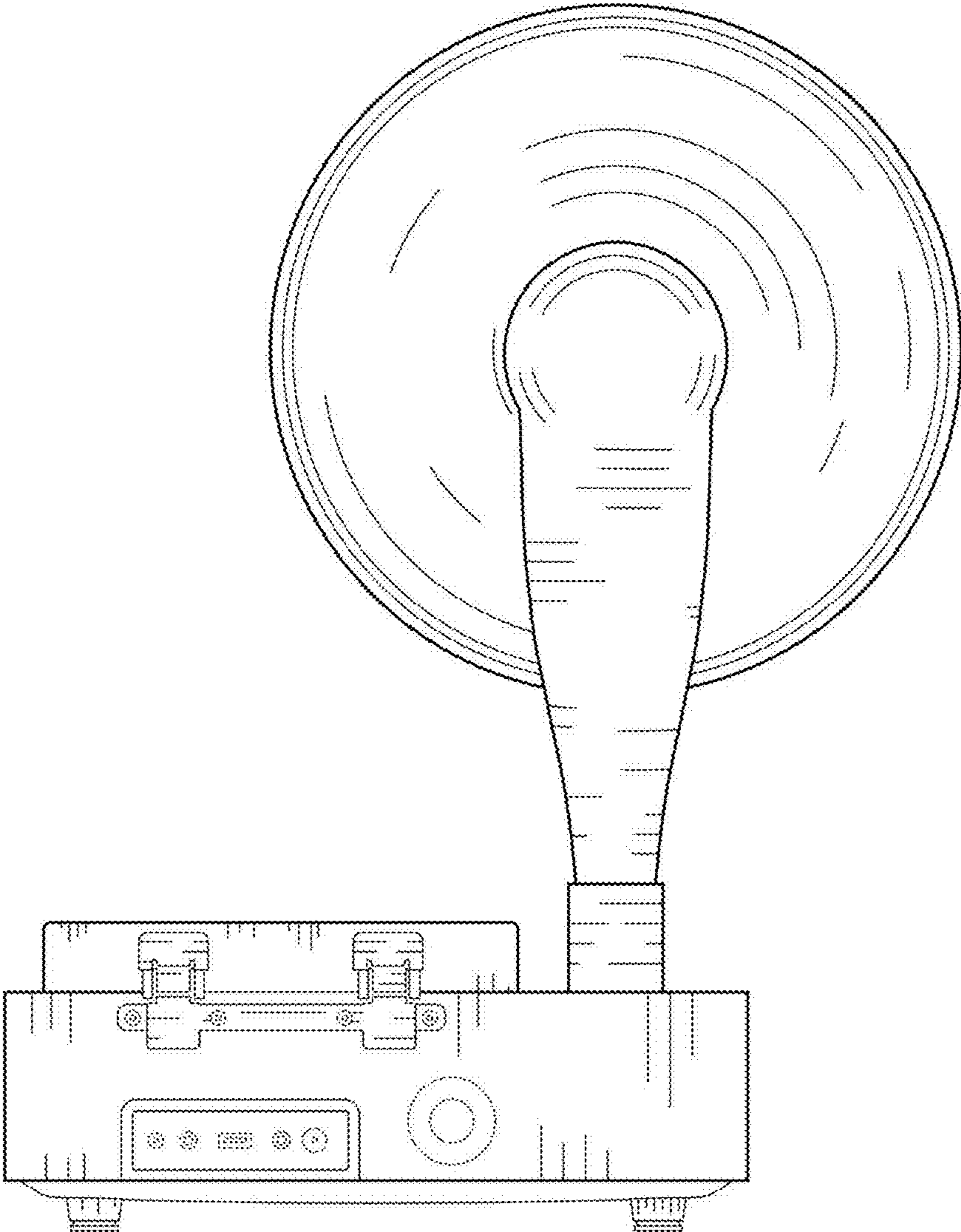


Fig. 2

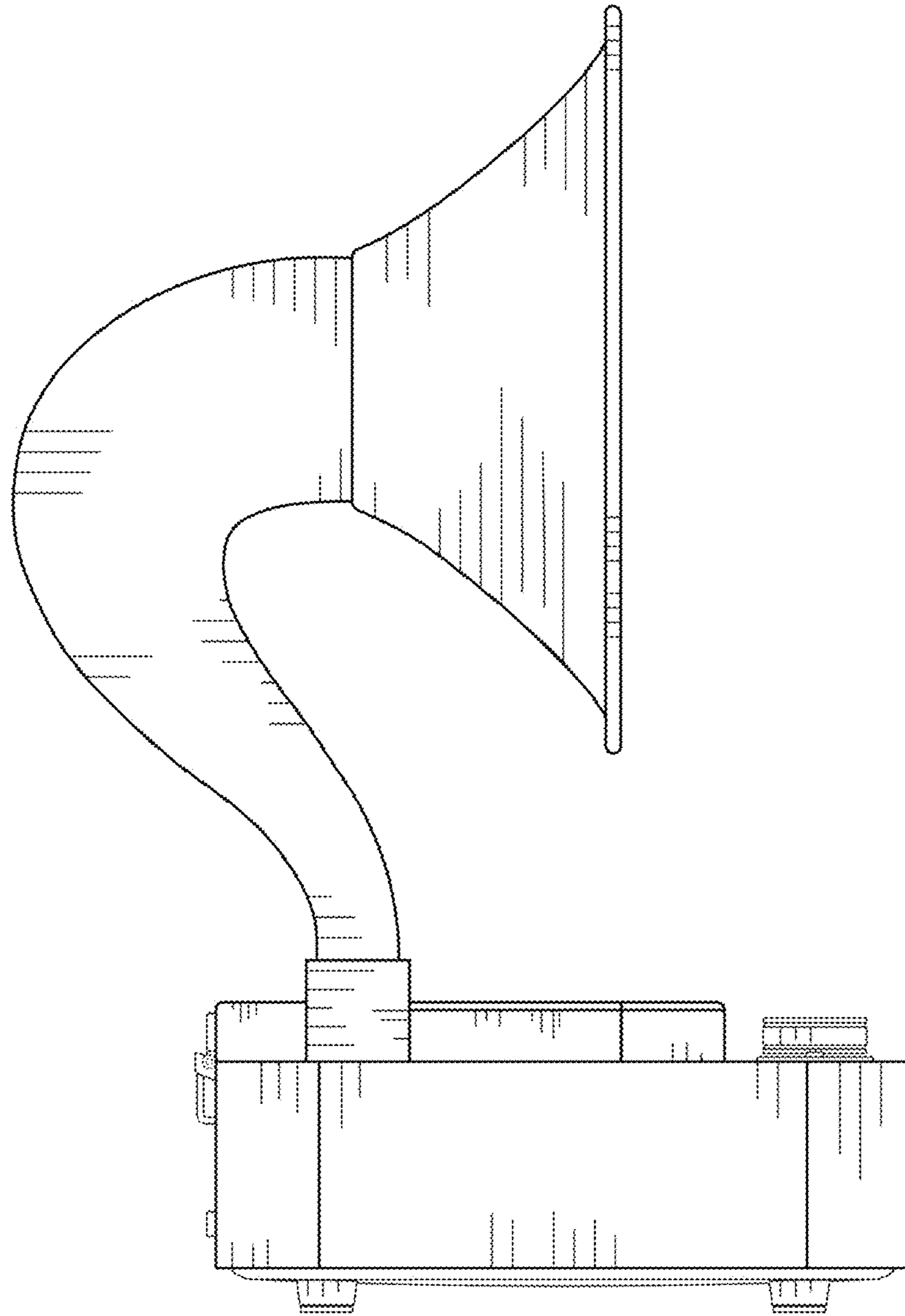


Fig. 3

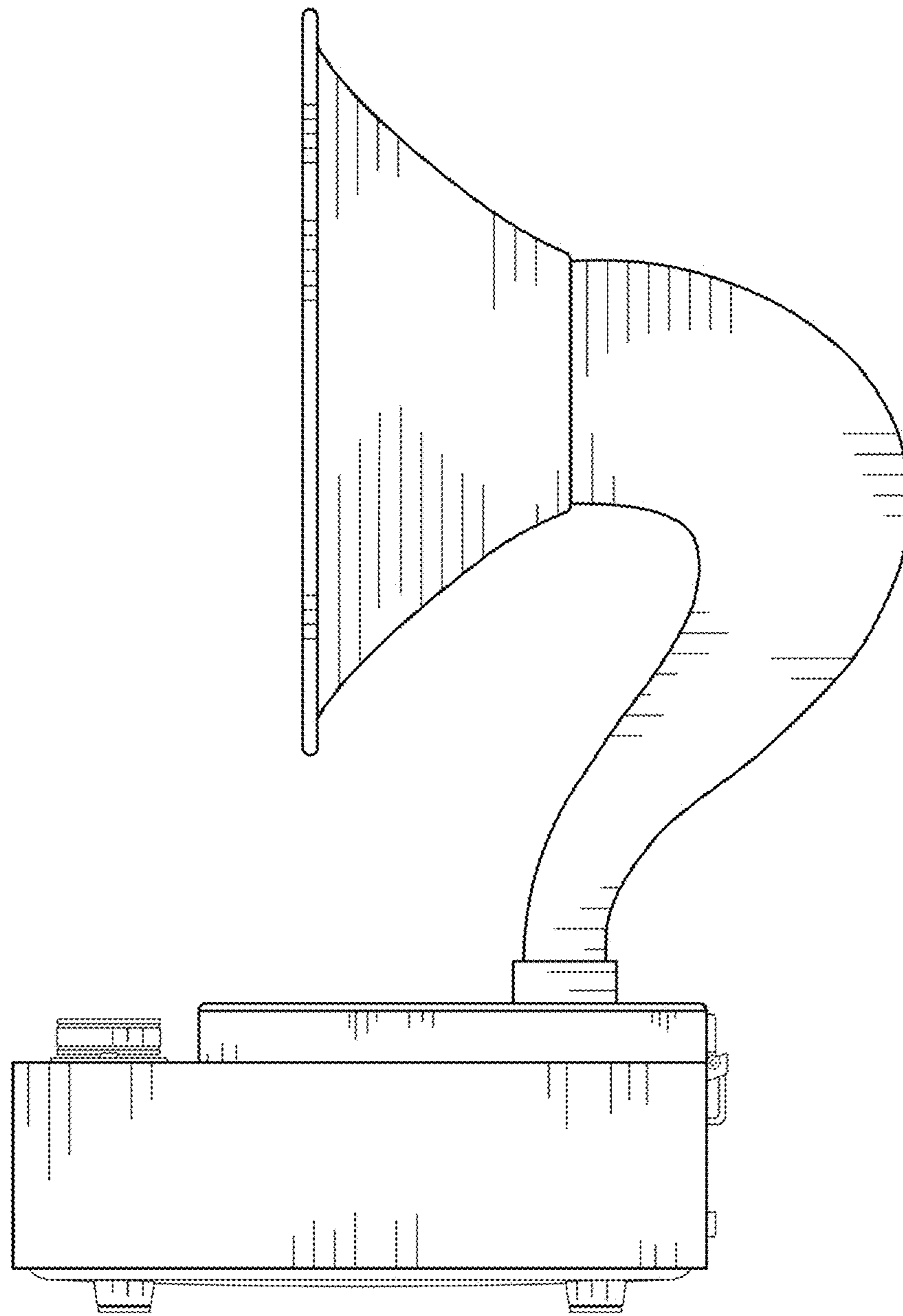


Fig. 4

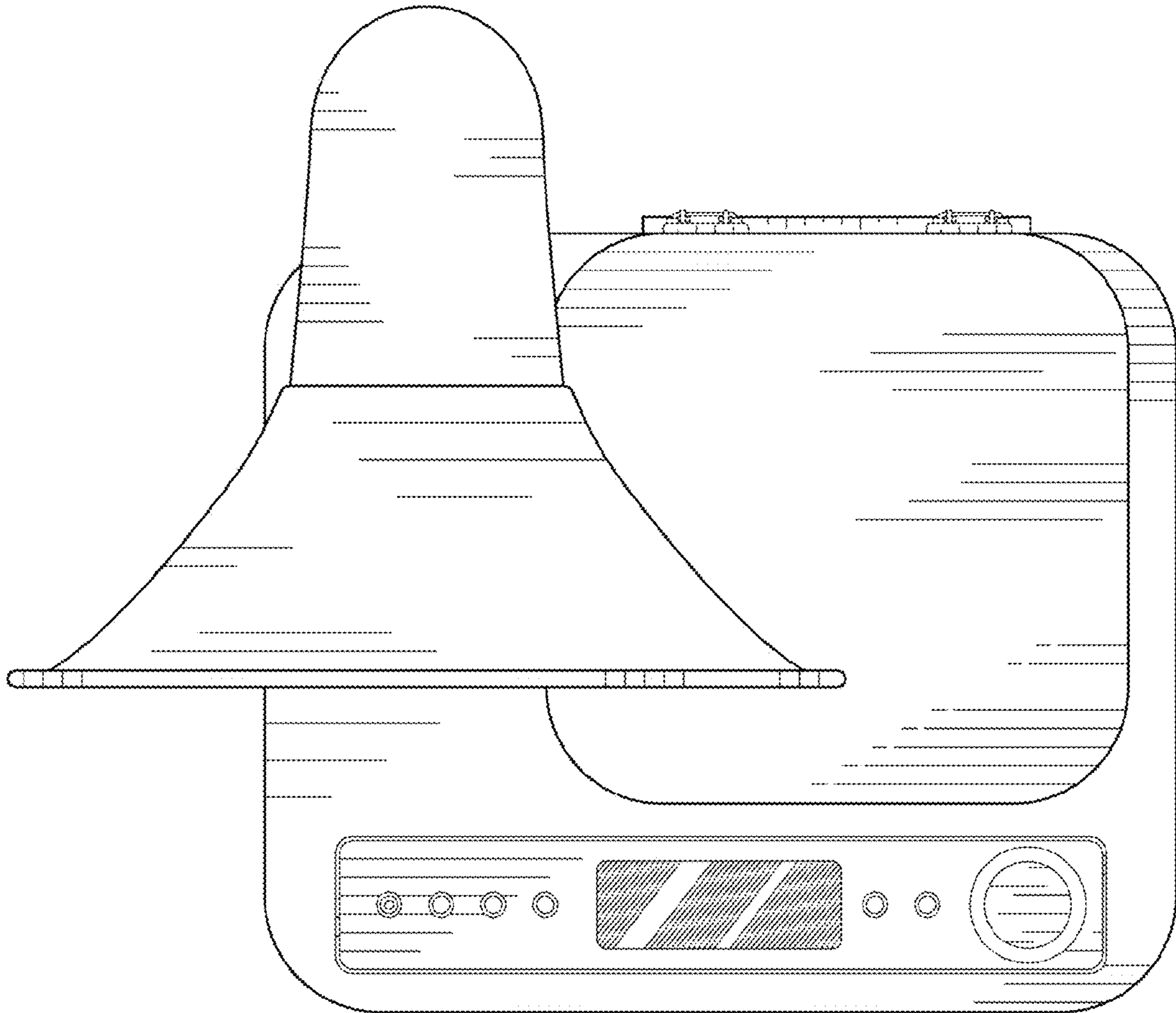


Fig. 5

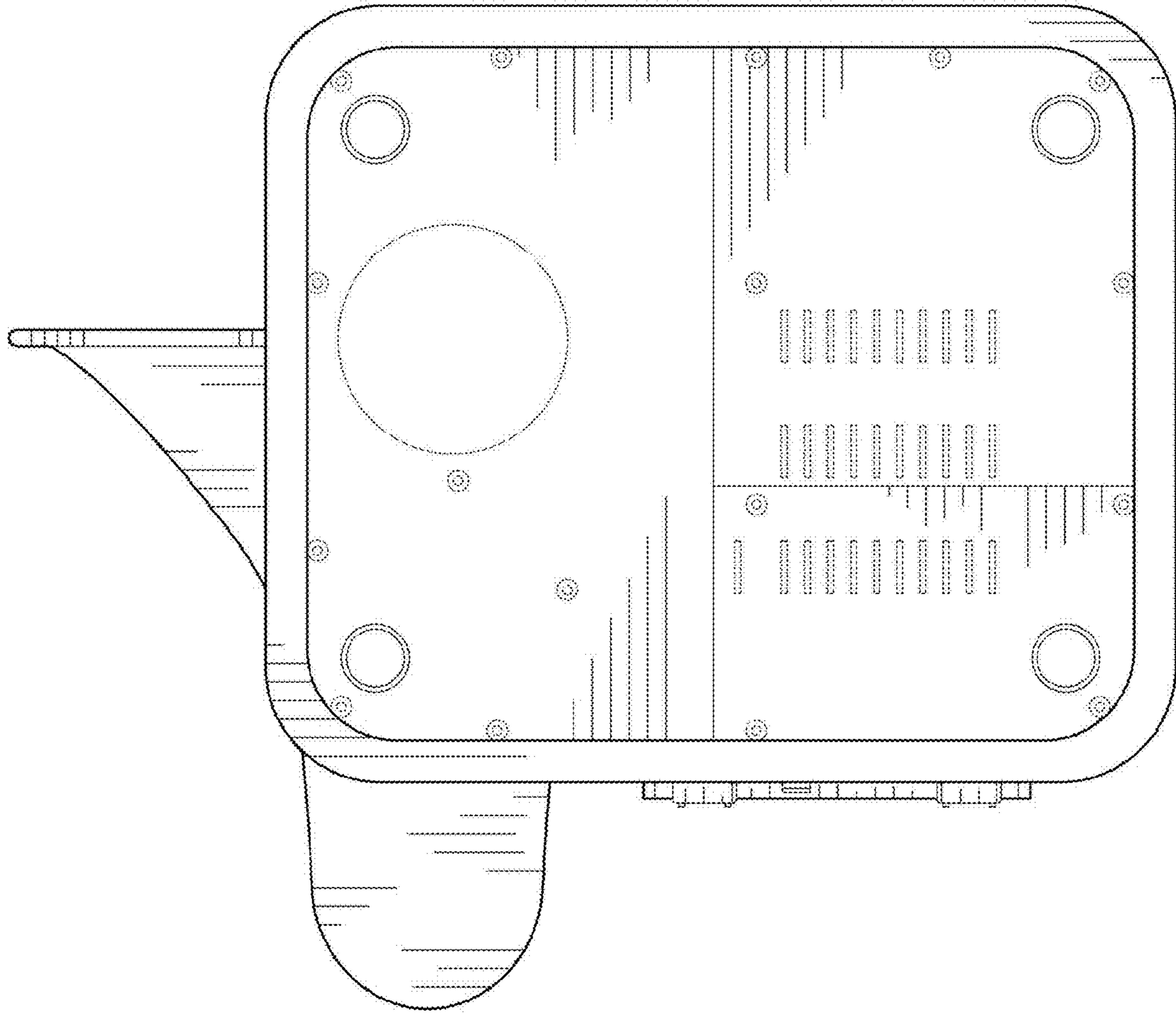


Fig. 6

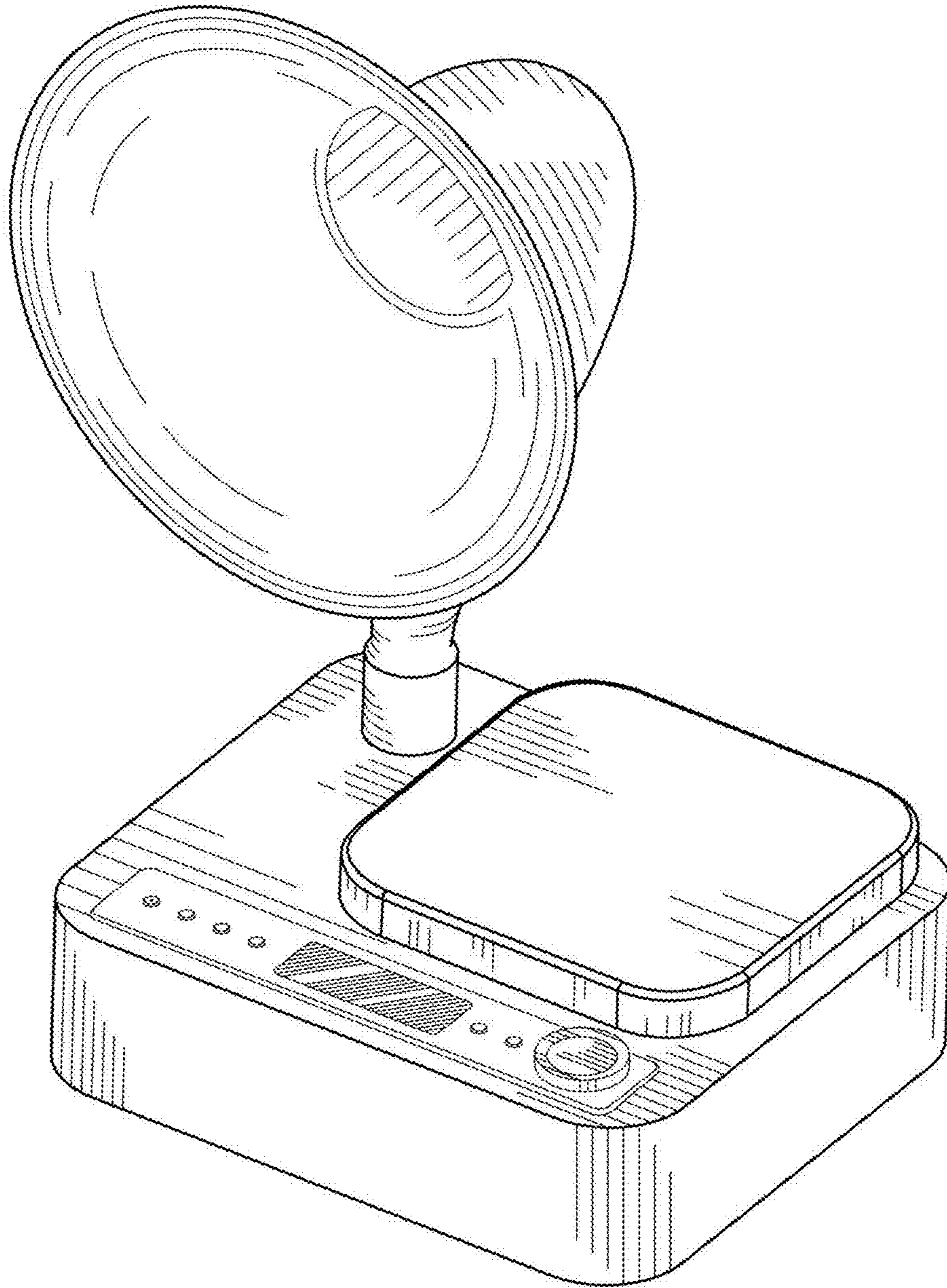


Fig. 7



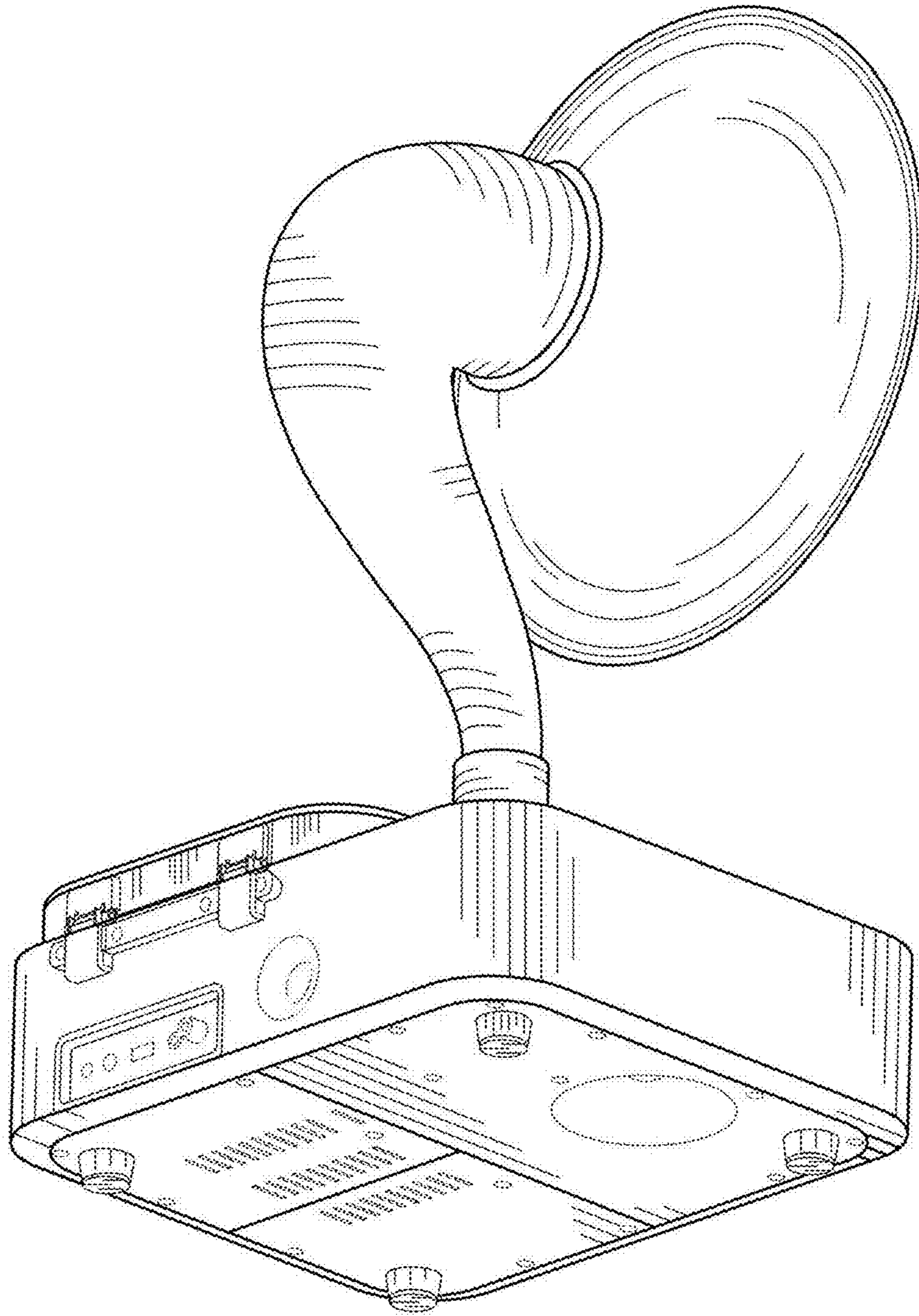


Fig. 8