



US00D881840S

(12) **United States Design Patent**
Chen

(10) **Patent No.:** **US D881,840 S**

(45) **Date of Patent:** **** Apr. 21, 2020**

- (54) **HEADSET**
- (71) Applicant: **Canmin Chen**, Puning (CN)
- (72) Inventor: **Canmin Chen**, Puning (CN)
- (**) Term: **15 Years**
- (21) Appl. No.: **29/671,748**
- (22) Filed: **Nov. 29, 2018**

- 5,406,037 A * 4/1995 Nageno H04R 5/0335
181/129
- 5,459,290 A * 10/1995 Yamagishi H04R 1/1075
181/129
- D373,360 S * 9/1996 Kanno D14/205
- D375,312 S * 11/1996 Kanno D14/205
- D377,021 S * 12/1996 Isono D14/205
- D394,062 S * 5/1998 Chun D14/192
- 5,793,878 A * 8/1998 Chang H04R 5/0335
381/370
- 5,812,680 A * 9/1998 Glendon H04R 25/60
381/322
- 6,006,115 A * 12/1999 Wingate H04M 1/6033
379/110.01

Related U.S. Application Data

- (62) Division of application No. 29/614,503, filed on Aug. 21, 2017, now Pat. No. Des. 842,270.
- (51) **LOC (12) Cl.** **14-01**
- (52) **U.S. Cl.**
USPC **D14/205**
- (58) **Field of Classification Search**
USPC D14/205, 188, 192, 249; D29/112;
2/209; 181/129, 130, 135; 379/430, 431;
381/380, 381, 374; 455/90.3, 575.1,
455/569.1
CPC H04R 25/00; H04R 25/02; H04R 1/1066;
H04R 1/1016; H04R 5/033; H04R
5/0335; H04R 1/10; H04R 1/105
See application file for complete search history.

(Continued)

FOREIGN PATENT DOCUMENTS

- EM 004136489-0001 * 8/2017
- EM 004136489-0002 * 8/2017
- JP D1648078 * 11/2019

Primary Examiner — Paula Allen Greene

(57) **CLAIM**

The ornamental design for a headset, as shown and described.

DESCRIPTION

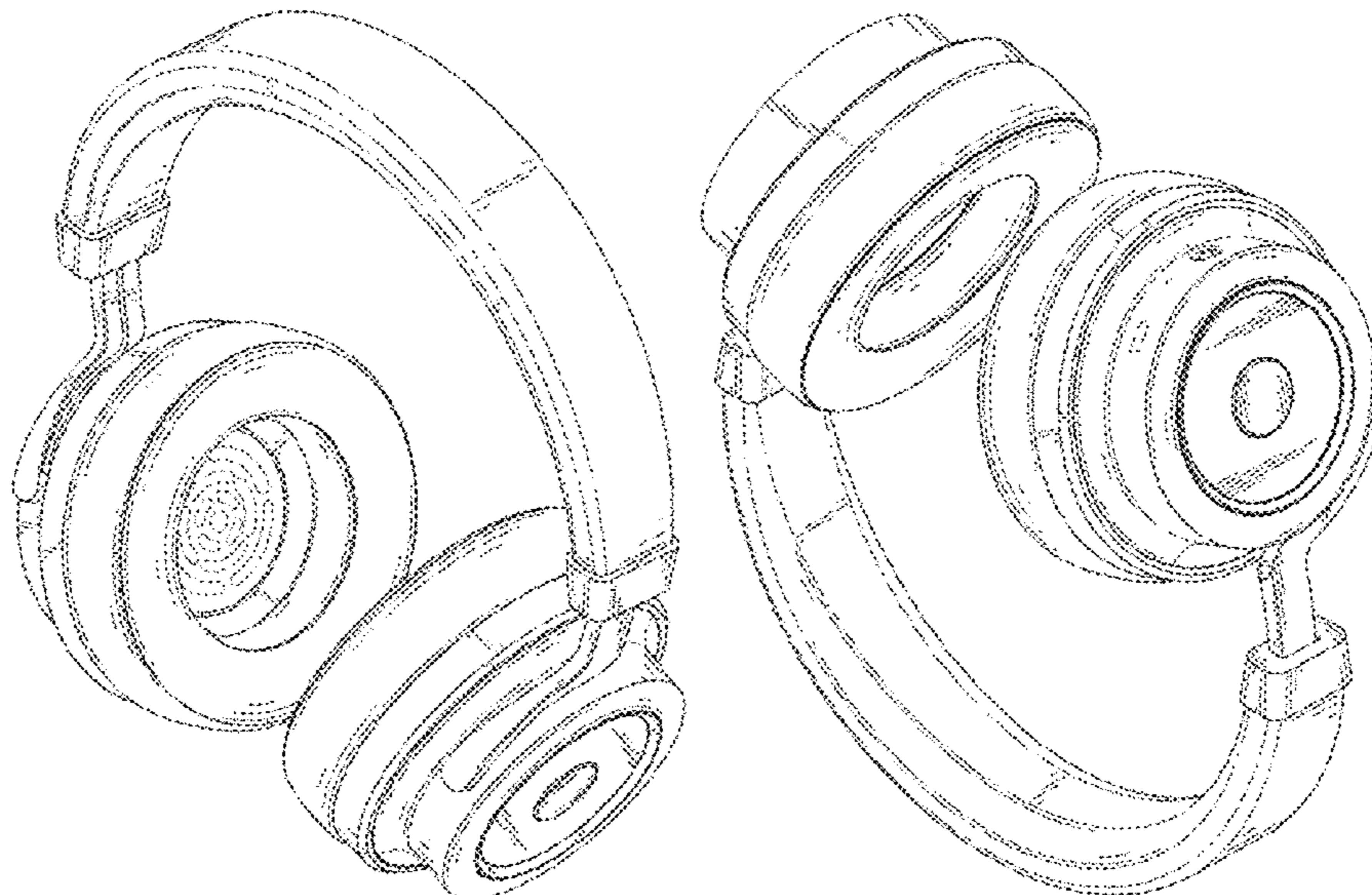
FIG. 1 is a first perspective view of a headset showing my new design;
 FIG. 2 is a second perspective view thereof;
 FIG. 3 is a front elevational view thereof;
 FIG. 4 is a rear elevational view thereof;
 FIG. 5 is a left elevational view thereof;
 FIG. 6 is a right elevational view thereof;
 FIG. 7 is a top plan view thereof; and,
 FIG. 8 is a bottom plan view thereof.
 The broken lines immediately adjacent to the claimed portions are boundaries, all other broken lines are environmental structures; all the broken lines form no part of the claimed design.

(56) **References Cited**

U.S. PATENT DOCUMENTS

- 1,513,924 A * 11/1924 Murdock H04R 1/1066
381/379
- D255,352 S * 6/1980 Besasie D14/205
- 4,634,816 A * 1/1987 O'Malley H04M 1/05
379/430
- D300,528 S * 4/1989 Drane D13/171
- D317,767 S * 6/1991 Banks D14/205
- D328,074 S * 7/1992 Yamazaki D14/205
- 5,384,857 A * 1/1995 Nordin A61F 11/14
381/374

1 Claim, 8 Drawing Sheets



(56)

References Cited

U.S. PATENT DOCUMENTS

D484,485 S * 12/2003 Matsuoka D14/205
 D504,414 S * 4/2005 Yoshida D14/192
 D512,417 S * 12/2005 Hirakawa D14/223
 7,106,873 B1 * 9/2006 Harrison A61N 1/36036
 381/330
 D534,155 S * 12/2006 Obata D14/205
 7,172,052 B2 * 2/2007 Lenhard-Backhaus
 H04R 1/1066
 181/129
 D552,077 S * 10/2007 Brunner D14/205
 7,292,704 B2 * 11/2007 Lederer G01R 33/283
 381/380
 D557,684 S * 12/2007 Pundsack D14/205
 D573,581 S * 7/2008 Gondo D14/205
 D582,890 S * 12/2008 Koza D14/205
 D583,800 S * 12/2008 Jaakkola D14/205
 D584,715 S * 1/2009 Brennwald D14/205
 D588,098 S * 3/2009 Kurihara D14/205
 D592,640 S * 5/2009 Tkachuk D14/205
 7,580,539 B2 * 8/2009 Tachikawa H04R 1/1066
 381/374
 D603,370 S * 11/2009 Suzuki D14/205
 D603,371 S * 11/2009 Boateng D14/205
 7,766,120 B2 * 8/2010 Hansson A61F 11/14
 181/129
 D625,705 S * 10/2010 Ohori D14/205
 D632,668 S * 2/2011 Brunner D14/205
 D637,176 S * 5/2011 Brunner D14/205
 D637,579 S * 5/2011 Hamaura D14/205
 D641,727 S * 7/2011 Krauss D14/206
 D652,406 S * 1/2012 Lee D14/205
 8,098,872 B2 * 1/2012 Chang H04R 1/1075
 381/370
 D657,776 S * 4/2012 Lee D14/205
 D660,823 S * 5/2012 Hardi D14/205
 D660,824 S * 5/2012 Hardi D14/205

D664,118 S * 7/2012 Tappeiner D14/205
 D673,520 S * 1/2013 Tan D14/205
 D683,329 S * 5/2013 Hagelin D14/205
 D691,109 S * 10/2013 Hardi D14/205
 D691,579 S * 10/2013 Lee D14/205
 D692,410 S * 10/2013 Brunner H04R 1/1008
 D14/206
 D693,791 S * 11/2013 Troy D14/205
 D696,644 S * 12/2013 Sejpka D14/205
 8,755,555 B2 * 6/2014 Dougherty H04R 1/1066
 381/370
 D717,766 S * 11/2014 Mchatet D14/205
 D727,289 S * 4/2015 Czaniecki D14/205
 D732,504 S * 6/2015 Funayama D14/205
 D750,041 S * 2/2016 Birger D14/205
 D758,337 S * 6/2016 Szymanski D14/205
 D759,626 S * 6/2016 Wagner D14/205
 D763,226 S * 8/2016 Petersen D14/205
 D771,012 S * 11/2016 Wagner D14/205
 D772,998 S * 11/2016 Ranjan D21/793
 D773,434 S * 12/2016 Wu D14/205
 D784,956 S * 4/2017 Homewood D14/205
 9,706,281 B2 * 7/2017 Hernandez Vazquez
 H04R 1/08
 9,736,563 B1 * 8/2017 Glass H04R 1/1008
 D806,675 S * 1/2018 Fuglsang D14/206
 D806,676 S * 1/2018 Fuglsang D14/206
 D812,035 S * 3/2018 Petersen D14/205
 D826,209 S * 8/2018 Homewood D14/205
 D837,764 S * 1/2019 Xiao D14/205
 D842,270 S * 3/2019 Chen D14/205
 D849,713 S * 5/2019 Hanggi D14/205
 D864,899 S * 10/2019 He D14/205
 D870,068 S * 12/2019 Nevill D14/205
 2011/0206216 A1 * 8/2011 Brunner H04R 1/1066
 381/74
 2016/0080853 A1 * 3/2016 Chen H04R 1/1041
 381/74

* cited by examiner



FIG. 1

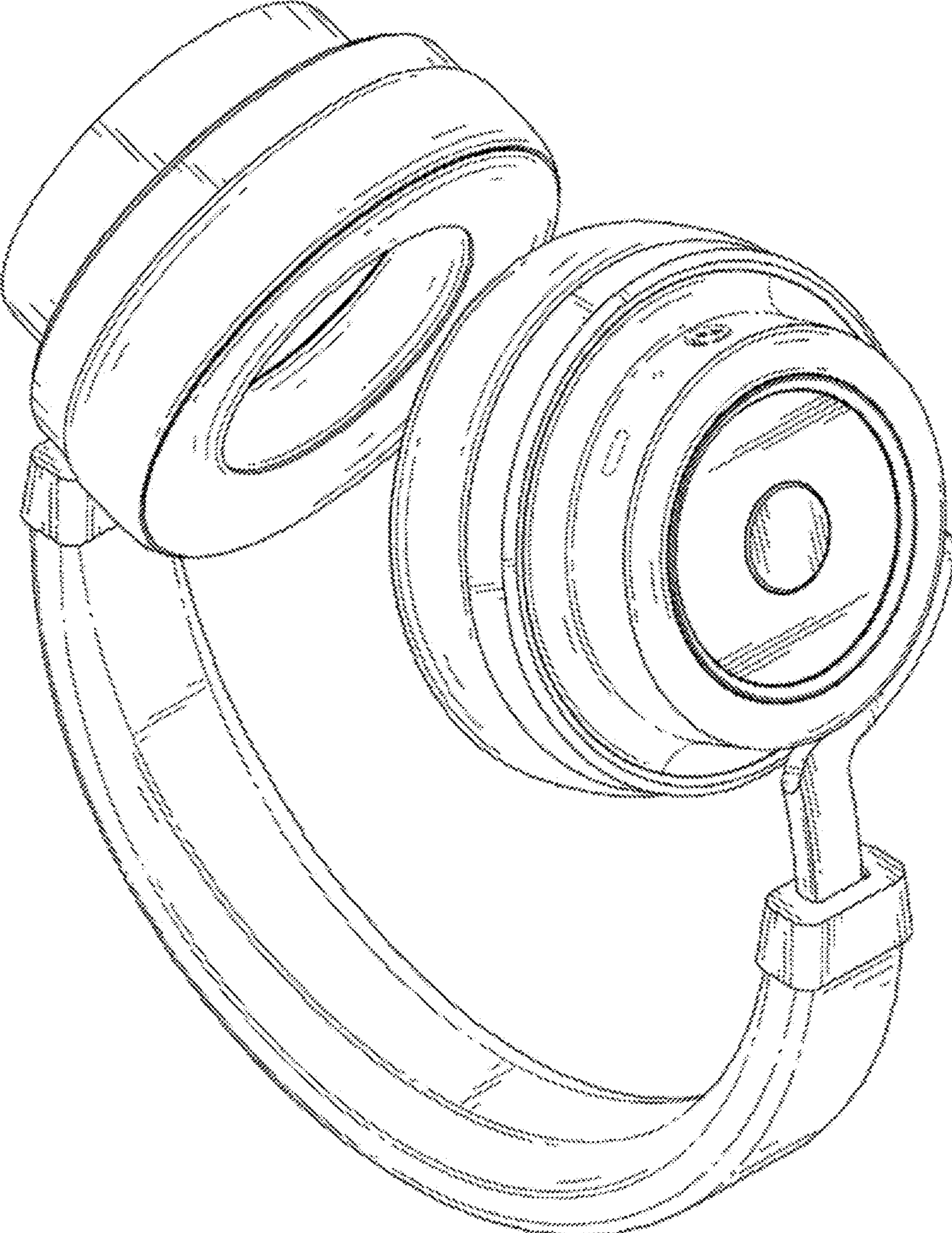


FIG. 2



FIG. 3



FIG. 4

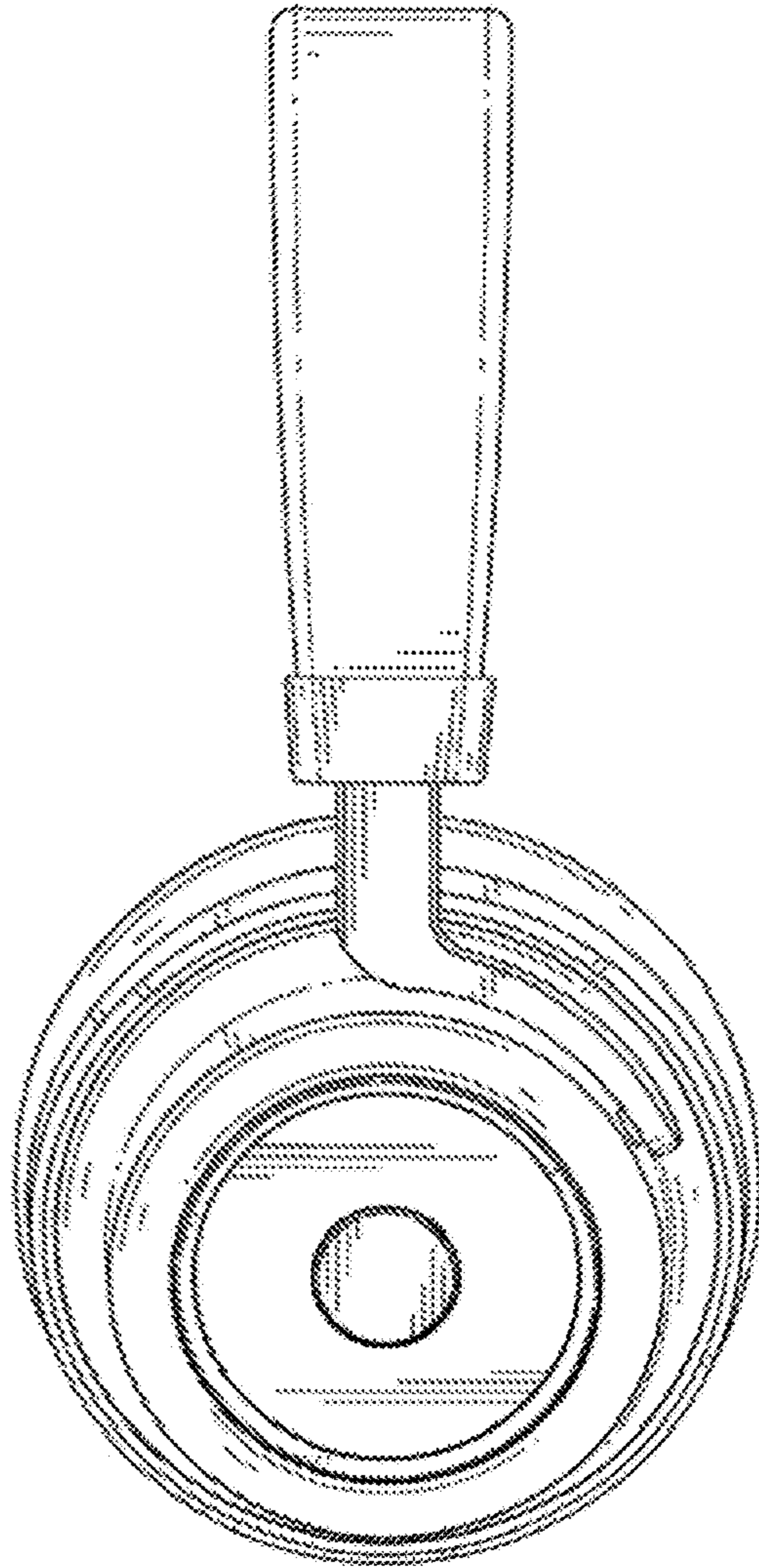


FIG. 5

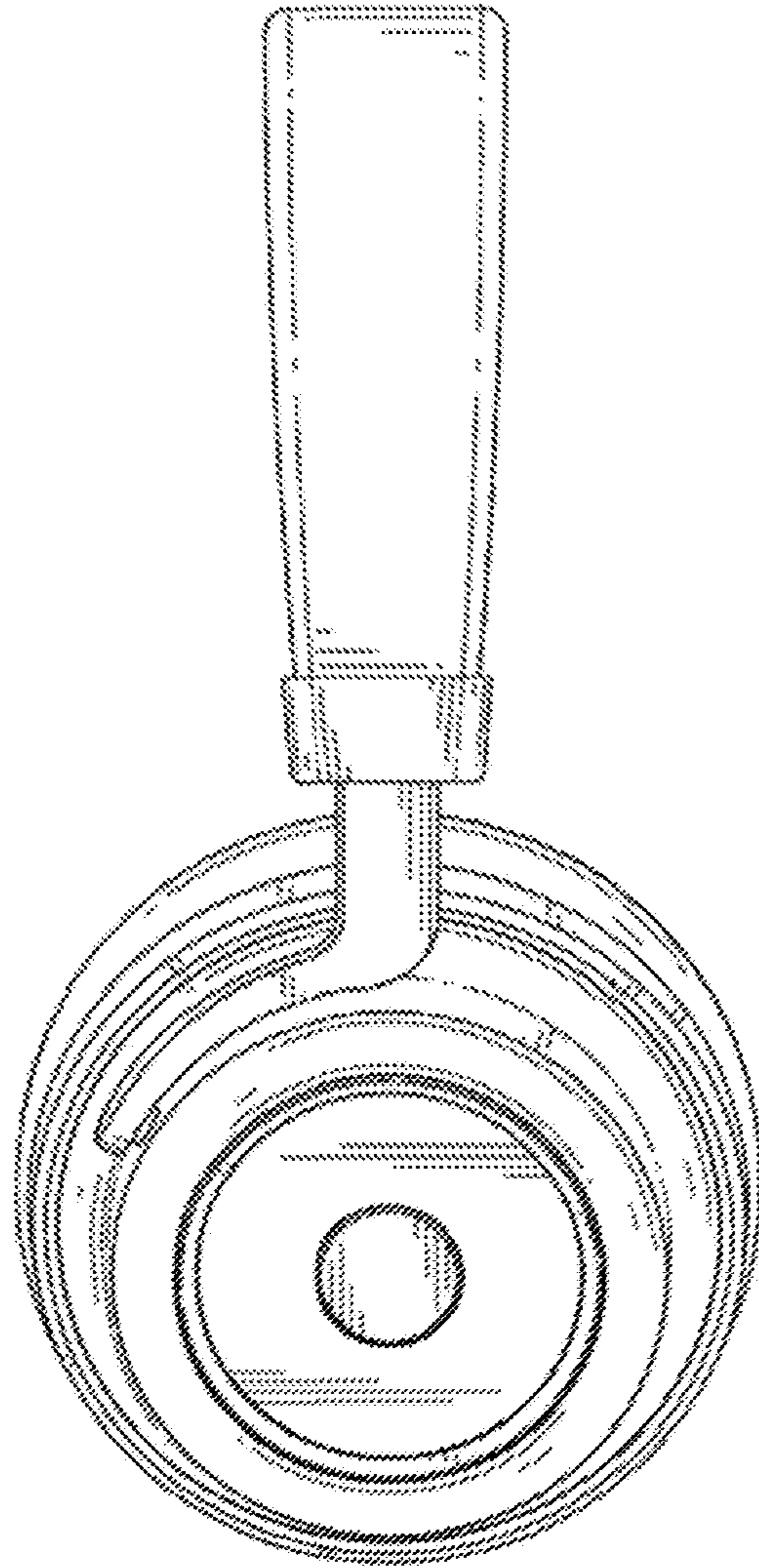


FIG. 6

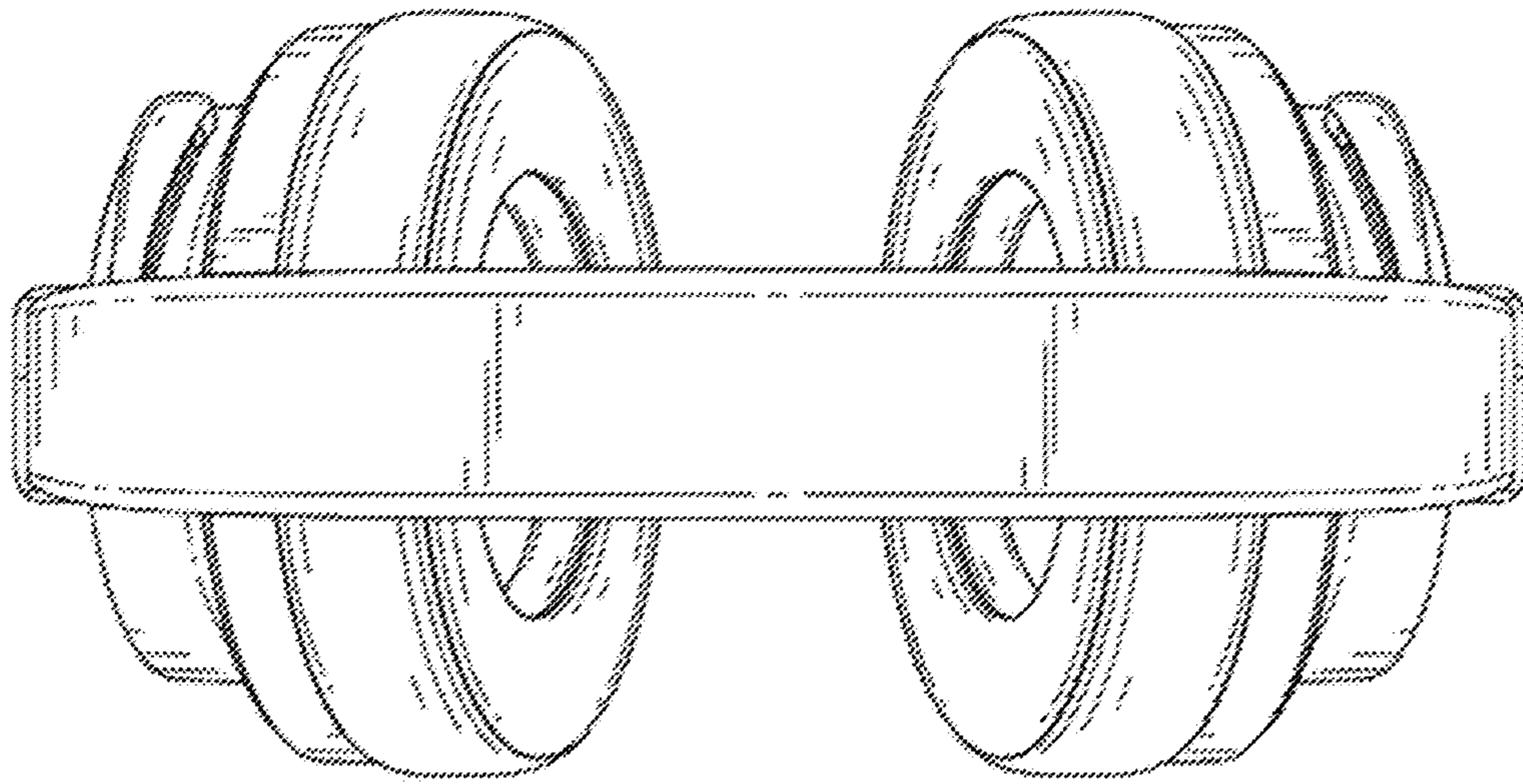


FIG. 7

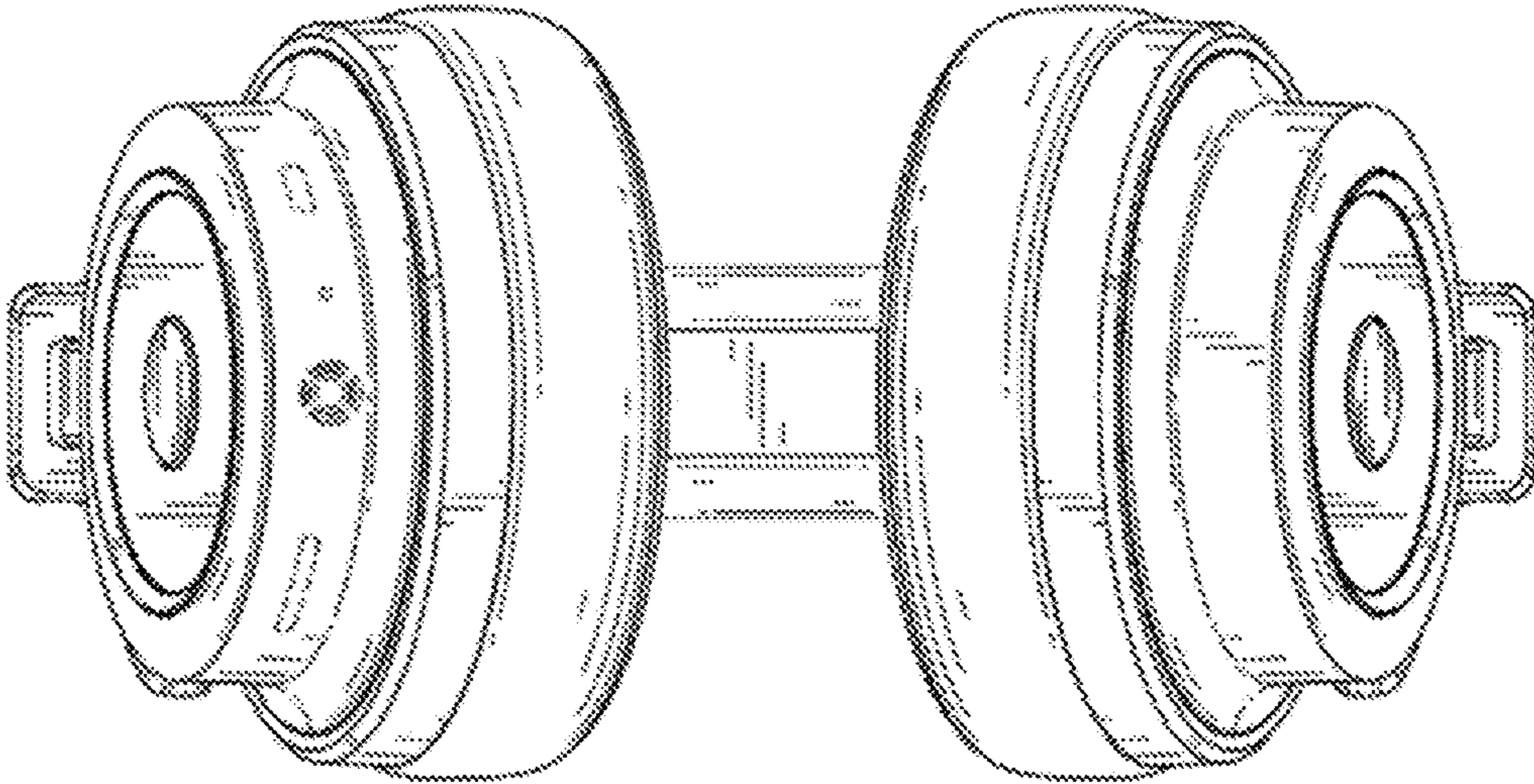


FIG. 8