



US00D881839S

(12) **United States Design Patent**
Hardi

(10) **Patent No.:** **US D881,839 S**
(45) **Date of Patent:** **** Apr. 21, 2020**

- (54) **WIRELESS EARBUDS AND WEARABLE CHARGER AND INTEGRATED SPEAKER**
- (71) Applicant: **Muzik Inc.**, West Hollywood, CA (US)
- (72) Inventor: **Jason Hardi**, Beverly Hills, CA (US)
- (73) Assignee: **Muzik Inc.**, West Hollywood, CA (US)
- (**) Term: **15 Years**
- (21) Appl. No.: **29/670,397**
- (22) Filed: **Nov. 15, 2018**

- 2,952,967 A 9/1960 Nussle
- 3,032,651 A 5/1962 Gisiger-Stahil
- 3,462,747 A 8/1969 Miller
- 4,419,770 A 12/1983 Yagi
- 4,802,638 A * 2/1989 Burger B65H 75/143
242/388.1
- 4,847,818 A 7/1989 Olsen

(Continued)

Primary Examiner — Paula Allen Greene
(74) *Attorney, Agent, or Firm* — Stanek Lemon Crouse & Meeks, PA

(57) **CLAIM**

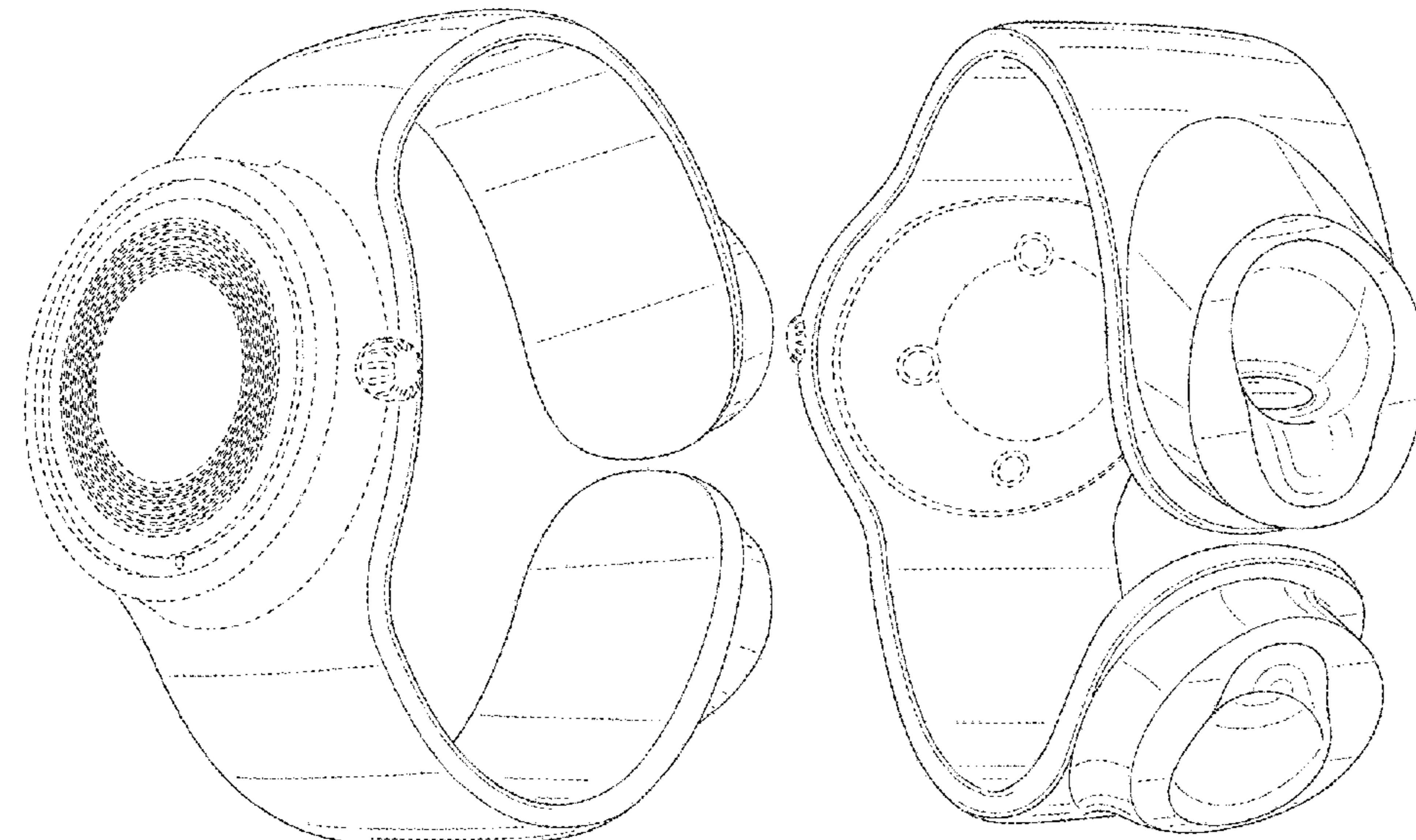
The ornamental design for wireless earbuds and wearable charger and integrated speaker, as shown and described.

DESCRIPTION

FIG. 1 is a front perspective view of the ornamental design for a first embodiment of a wearable charger and integrated speaker according to my invention;
 FIG. 2 is a rear perspective view thereof;
 FIG. 3 is a front view thereof;
 FIG. 4 is a rear view thereof;
 FIG. 5 is a side view thereof;
 FIG. 6 is an opposing side view thereof;
 FIG. 7 is a top view thereof;
 FIG. 8 is bottom view thereof;
 FIG. 9 is a front view of the ornamental design for a second embodiment of a wearable charger and integrated speaker according to my invention;
 FIG. 10 is a rear perspective view thereof;
 FIG. 11 is a front view thereof;
 FIG. 12 is a rear view thereof;
 FIG. 13 is a side view thereof;
 FIG. 14 is an opposing side view thereof;
 FIG. 15 is a top view thereof; and,
 FIG. 16 is bottom view thereof.

The broken lines are illustrative of environmental structure only and form no part of the claimed design.

1 Claim, 16 Drawing Sheets



Related U.S. Application Data

- (63) Continuation-in-part of application No. 29/583,718, filed on Nov. 8, 2016, now Pat. No. Des. 835,602.
- (51) **LOC (12) Cl.** **14-01**
- (52) **U.S. Cl.**
USPC **D14/205; D14/344**
- (58) **Field of Classification Search**
USPC D14/205, 344, 356, 496, 507, 511, 192,
D14/203.1, 203.3, 203.5, 226; D21/333;
D24/174, 186; D13/105, 106, 184;
D11/2, 3, 4, 21; D10/32, 98, 38;
181/129, 130, 135; 379/430, 431, 433;
455/90.3, 575.1, 569.1, 350; 368/282;
968/359, 342; 63/21; 362/104; 273/348
CPC .. H04R 1/1066; H04R 1/1016; H04R 5/0335;
H04R 5/033; G06F 3/02; H04B 1/38;
H04B 37/12; A44C 5/00
See application file for complete search history.

(56) **References Cited**

U.S. PATENT DOCUMENTS

- 1,668,910 A 5/1928 Jones
- 2,189,096 A 2/1940 Alonge
- 2,472,351 A 6/1949 Tyler
- 2,590,572 A 3/1952 Rasmussen

(56)

References Cited

U.S. PATENT DOCUMENTS

4,958,279 A 9/1990 Proelochs
 5,008,864 A 4/1991 Yoshitake
 5,224,076 A 6/1993 Thorp
 5,228,012 A * 7/1993 Seager A44C 5/0007
 224/165
 5,235,560 A * 8/1993 Seager A44C 5/0007
 224/164
 5,239,521 A 8/1993 Blonder
 D366,036 S * 1/1996 Houlihan D10/30
 5,644,785 A 7/1997 Garrett
 5,832,098 A * 11/1998 Chen H04M 1/05
 381/370
 6,192,253 B1 2/2001 Charlier
 6,212,414 B1 * 4/2001 Alameh H04B 1/385
 455/347
 D463,987 S * 10/2002 Wilson D10/30
 6,857,775 B1 * 2/2005 Wilson G04B 37/1486
 224/164
 D504,883 S * 5/2005 Jacobson D14/192
 D511,978 S 11/2005 Wilson
 D526,663 S * 8/2006 Bang D14/203.5
 7,086,512 B2 8/2006 Shack
 D547,328 S 7/2007 Kin
 D556,194 S 11/2007 Rambosek
 D558,198 S 12/2007 Blankenship
 D571,684 S 6/2008 Kim
 D576,501 S * 9/2008 Tang D10/31
 D583,815 S 12/2008 Giovannoni
 D585,880 S * 2/2009 Sade D14/205

D594,000 S 6/2009 Yeon
 D598,432 S 8/2009 Yeon
 D654,056 S 2/2012 Hoggarth
 D675,123 S * 1/2013 Nunez D11/3
 D676,833 S * 2/2013 Garcia D14/223
 D685,771 S * 7/2013 Bertenthal D14/223
 D717,956 S * 11/2014 Alexander D24/167
 D718,170 S 11/2014 Aumiller
 D721,599 S * 1/2015 Gruosi D10/32
 D729,651 S * 5/2015 Nuovo D10/32
 D732,510 S * 6/2015 Masters D14/223
 D732,511 S * 6/2015 Masters D14/223
 D743,330 S 11/2015 Zhang
 D759,010 S * 6/2016 Fujita D10/38
 D786,221 S 5/2017 Stoch
 D786,886 S * 5/2017 Herrmann D11/3
 D789,909 S 6/2017 Hung
 D794,614 S 8/2017 Xu
 D795,959 S 8/2017 Chen
 D796,485 S 9/2017 Sia
 D805,413 S * 12/2017 Chen D10/70
 D812,144 S 3/2018 Chandrasiri
 D835,602 S * 12/2018 Hardi D14/205
 D860,173 S * 9/2019 Nokuo D14/223
 D863,295 S * 10/2019 Hardi D14/344
 2012/0234044 A1 9/2012 Matysik
 2015/0022957 A1 * 1/2015 Hiroki G04G 17/04
 361/679.01
 2016/0134734 A1 5/2016 Moser
 2016/0337747 A1 11/2016 Litovsky
 2017/0237458 A1 8/2017 VanDuyn

* cited by examiner

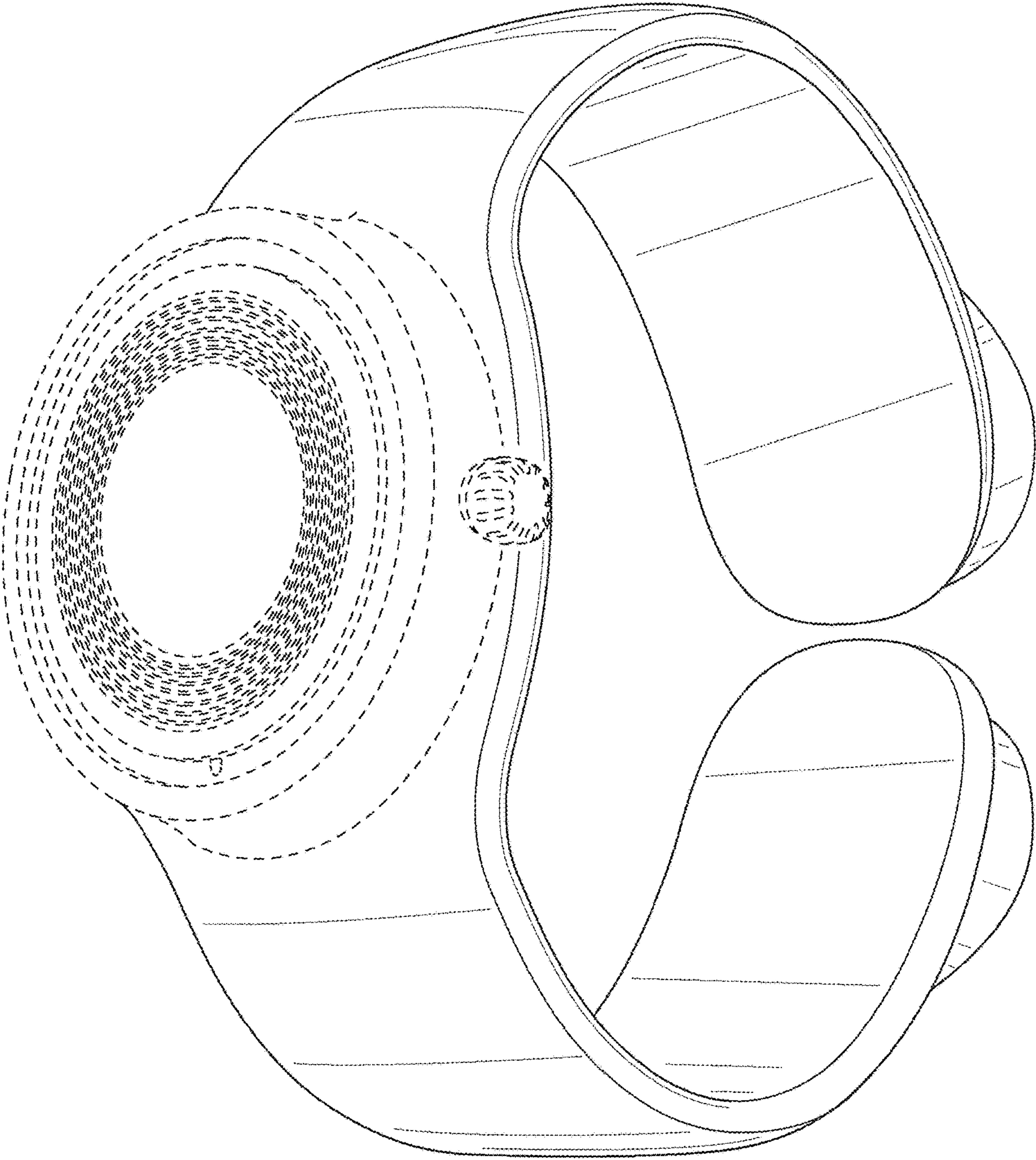


Fig. 1

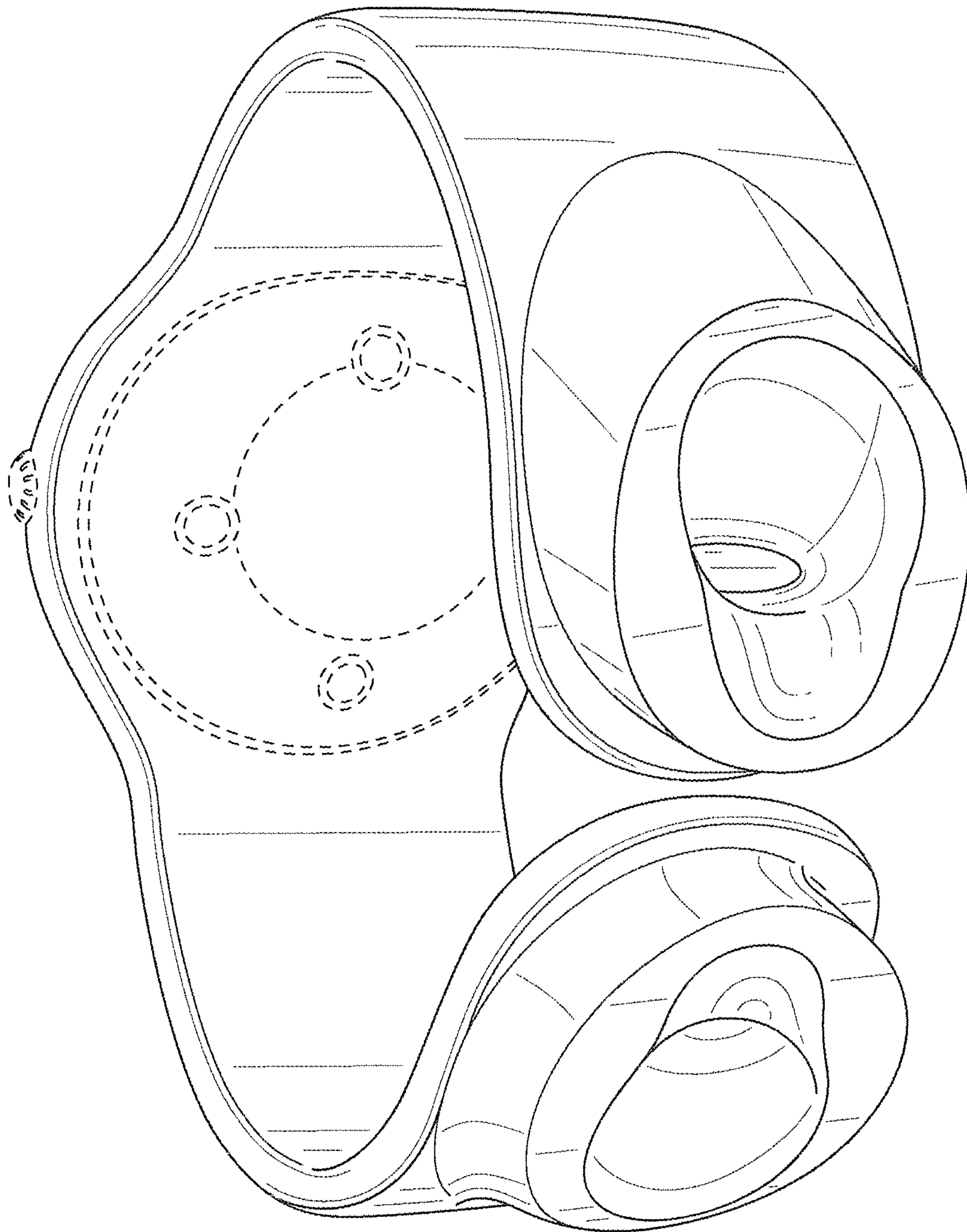


Fig. 2

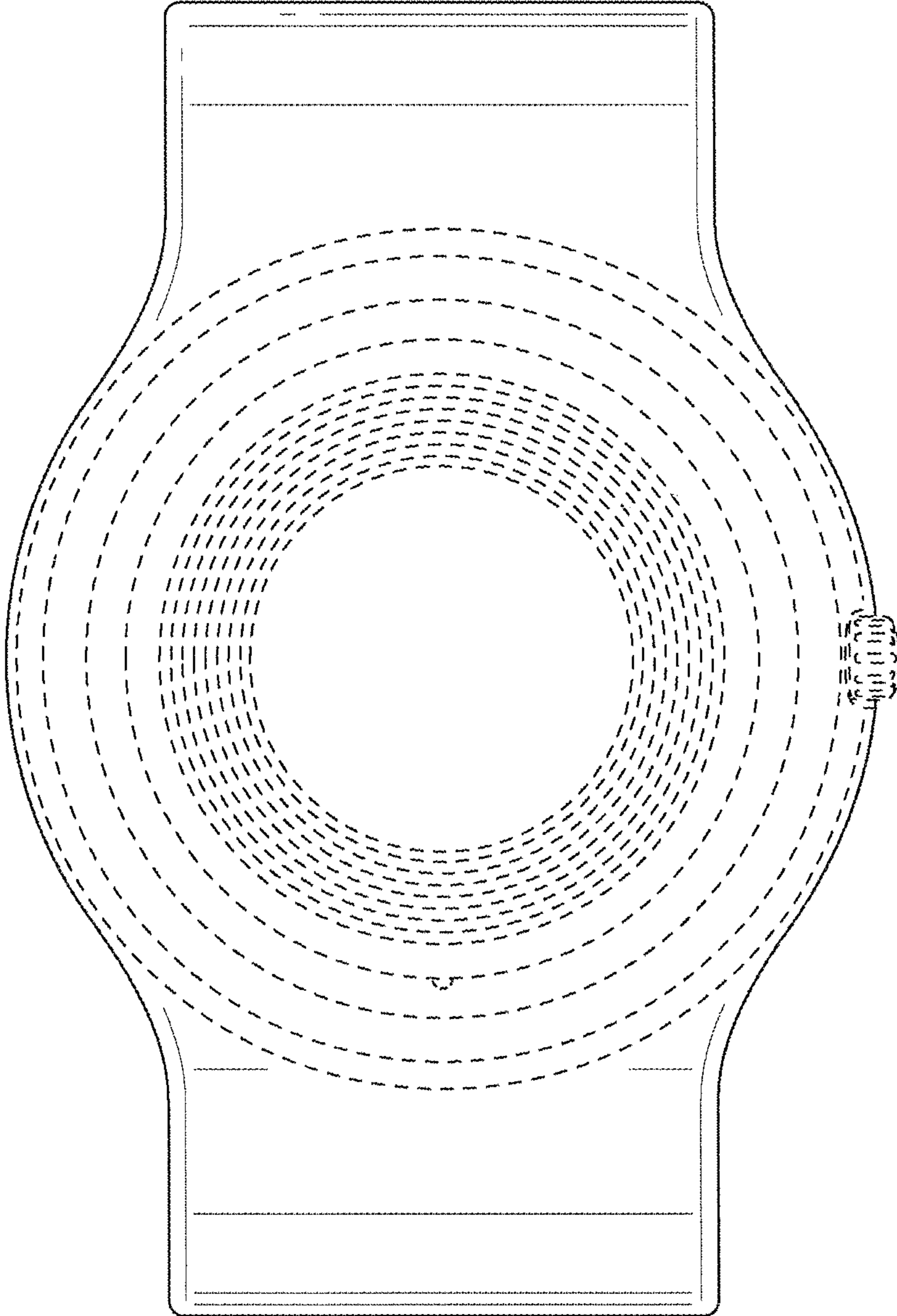


Fig. 3

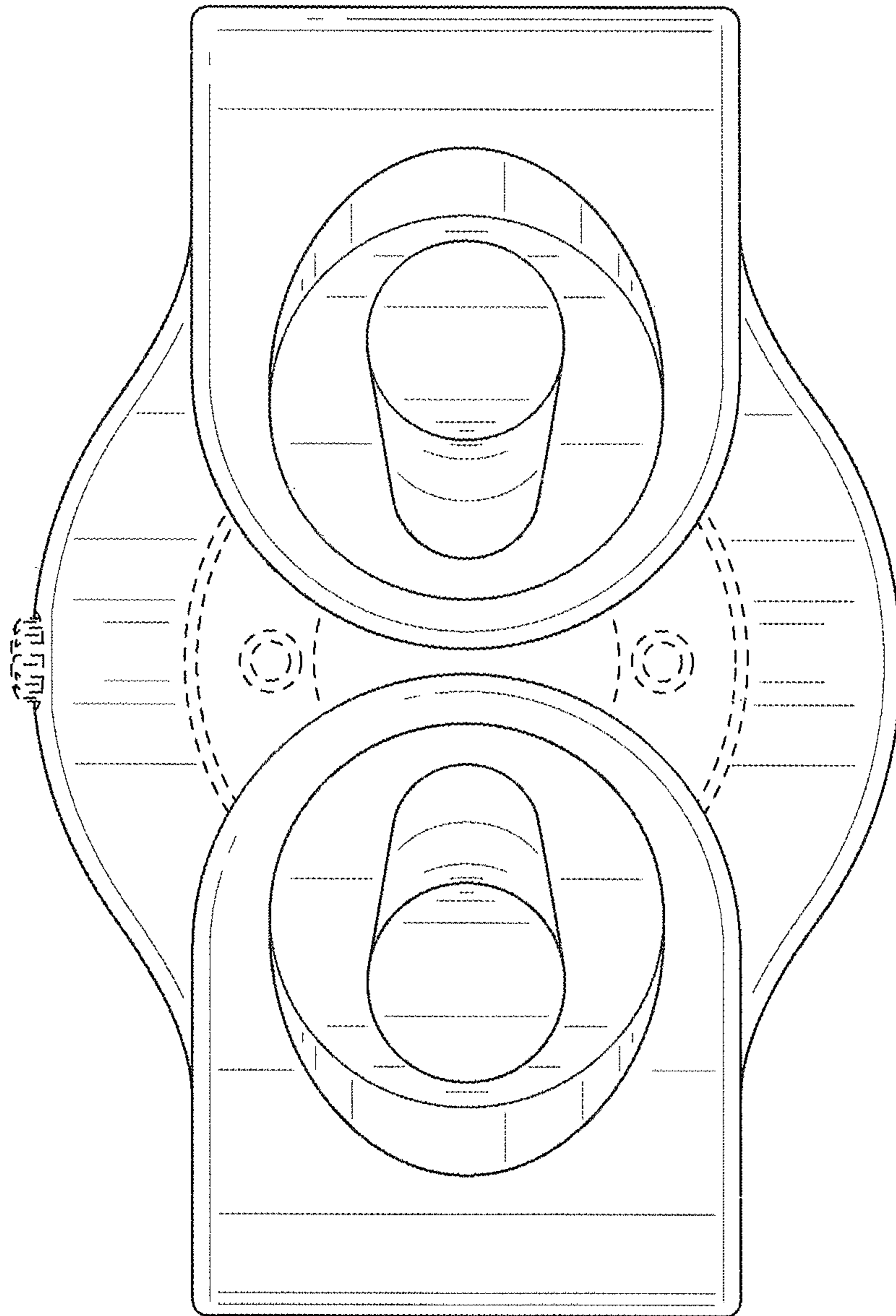


Fig. 4

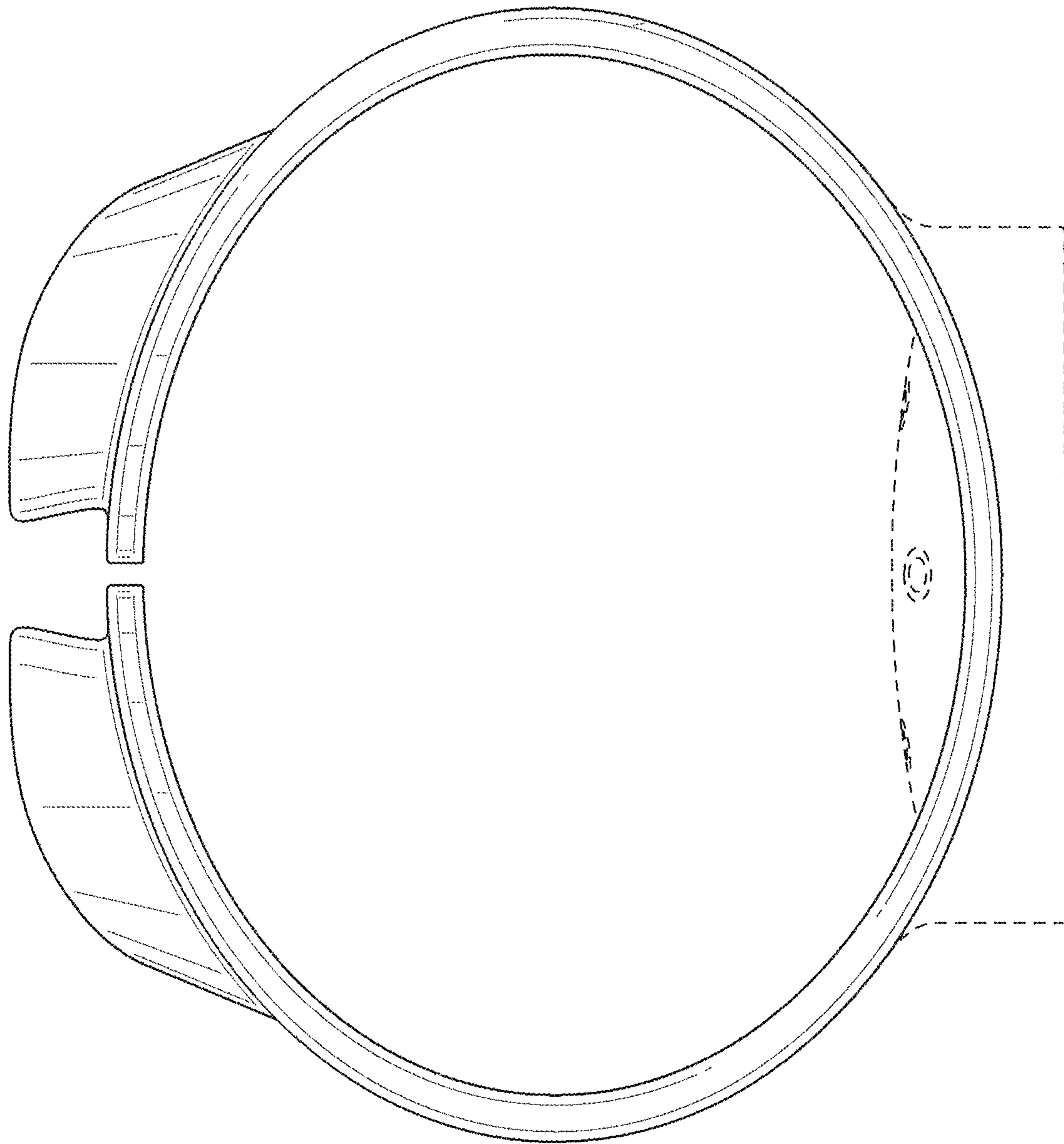


Fig. 5

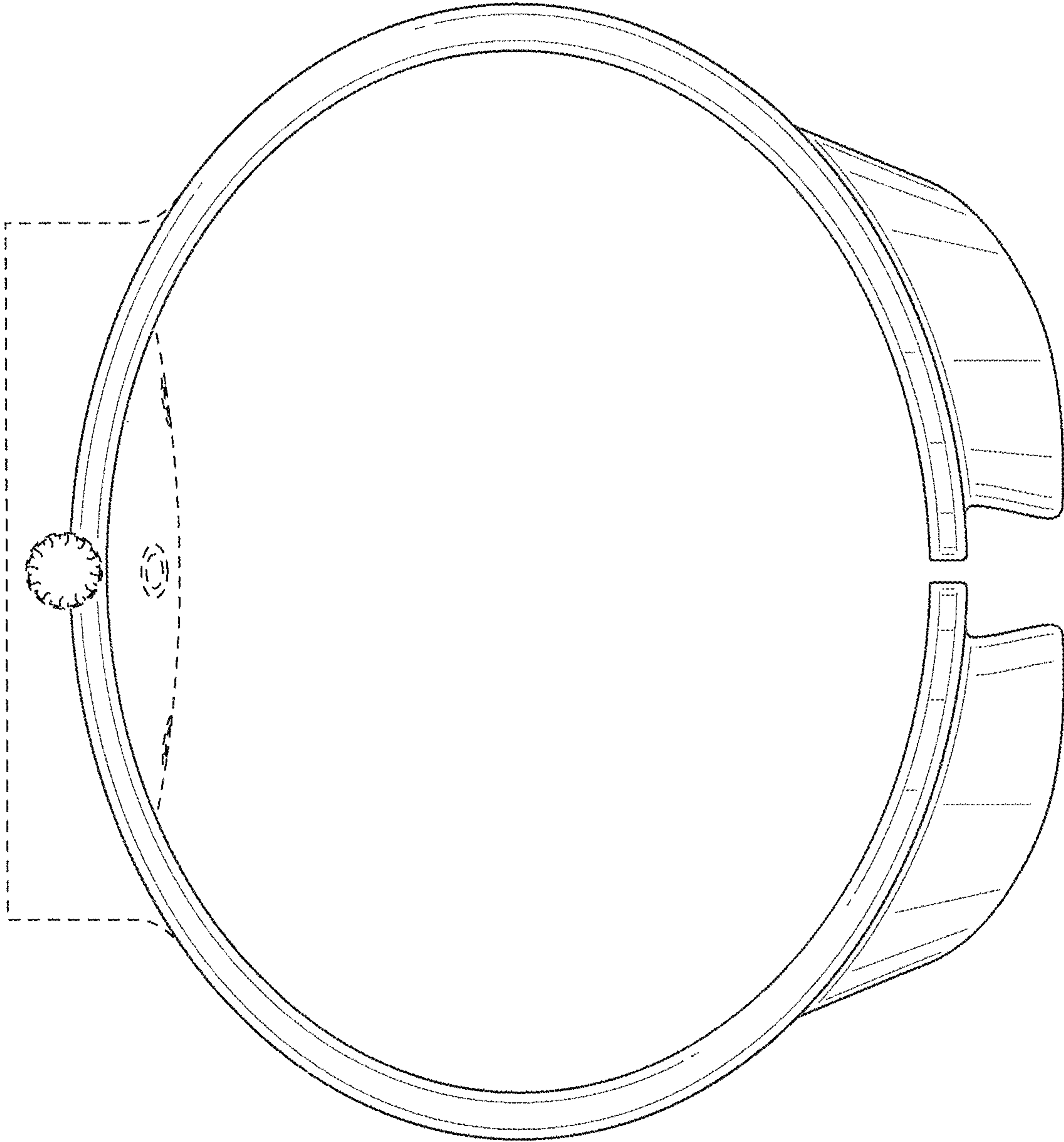


Fig. 6

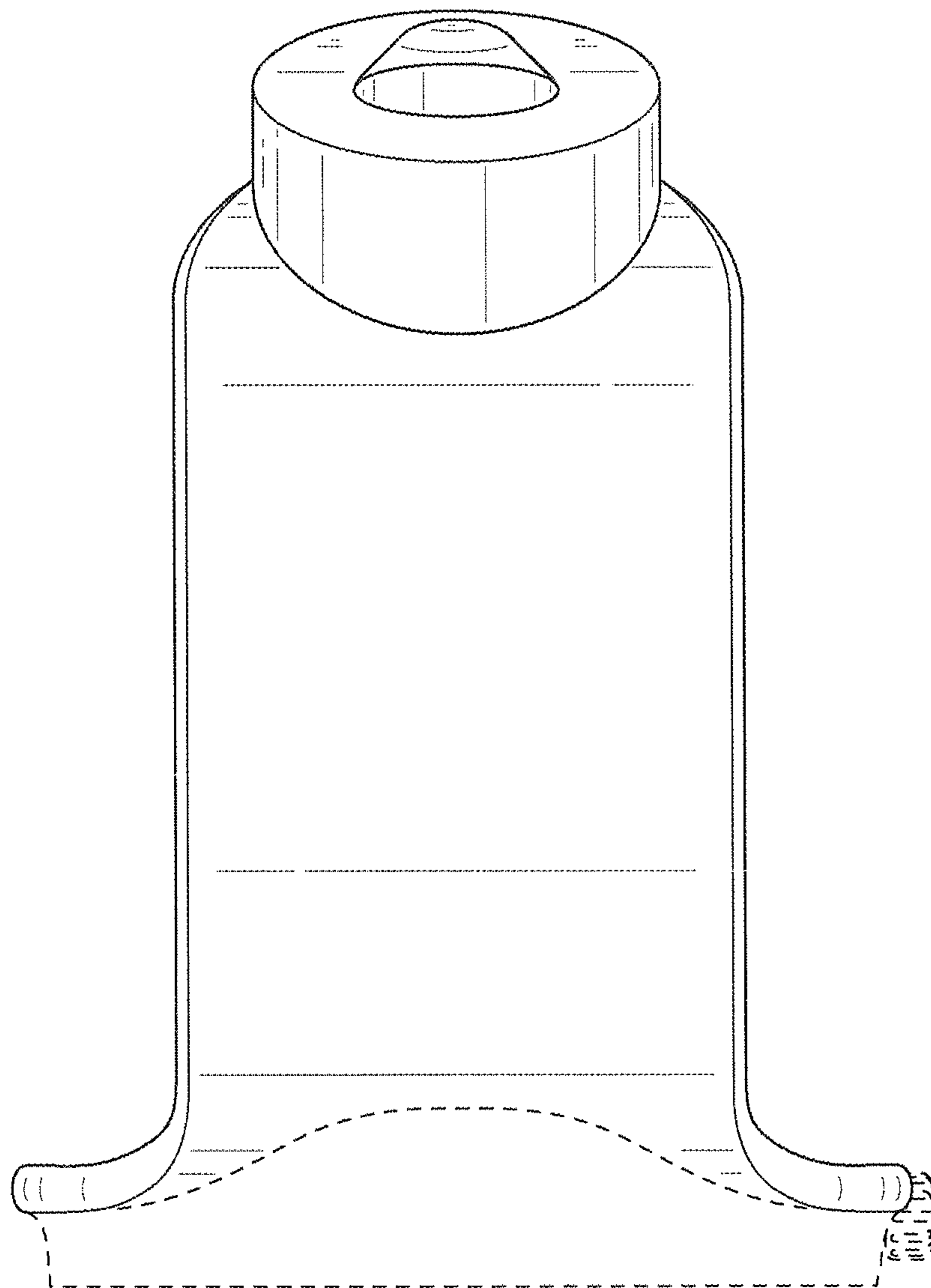


Fig. 7

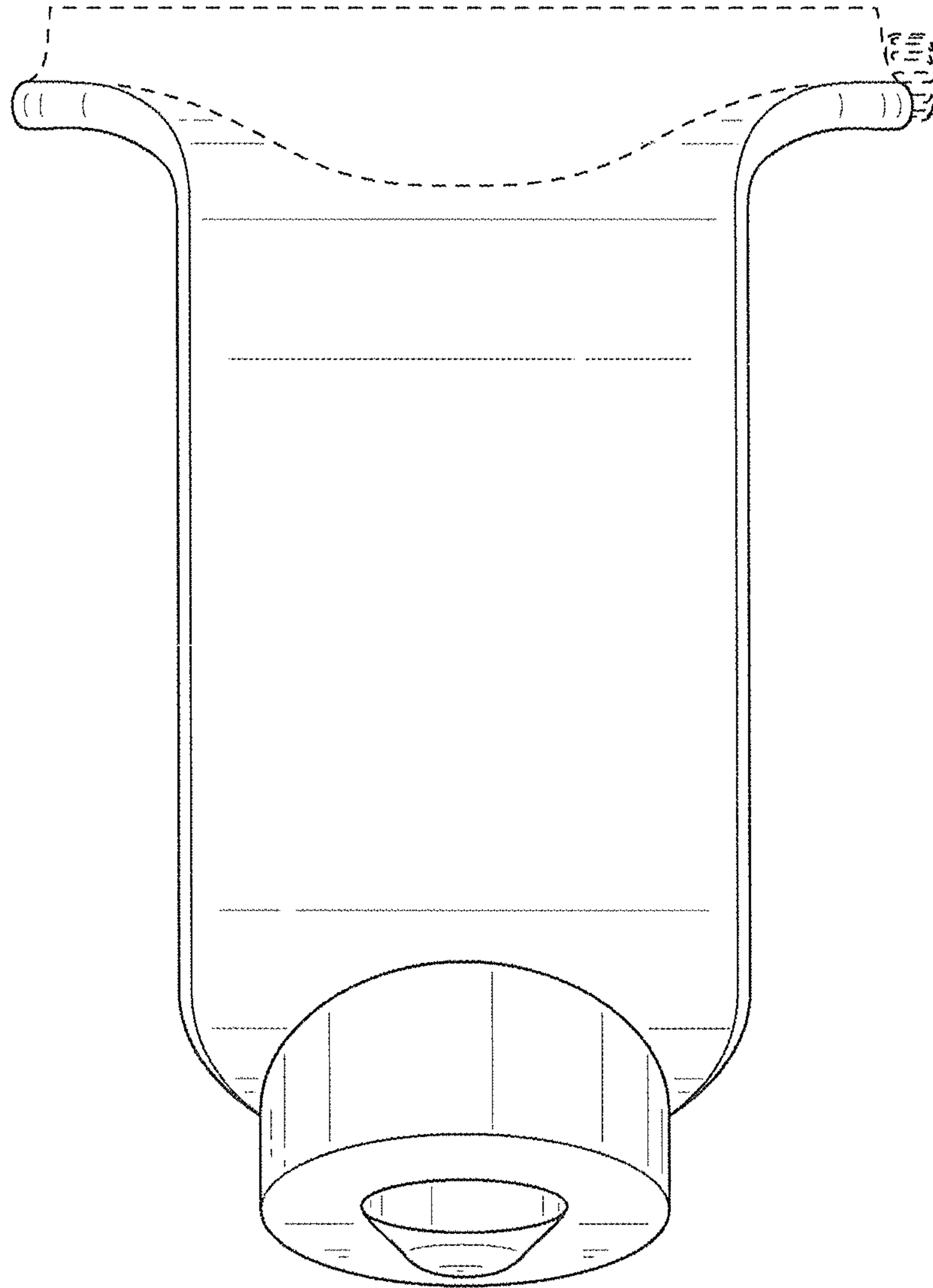


Fig. 8

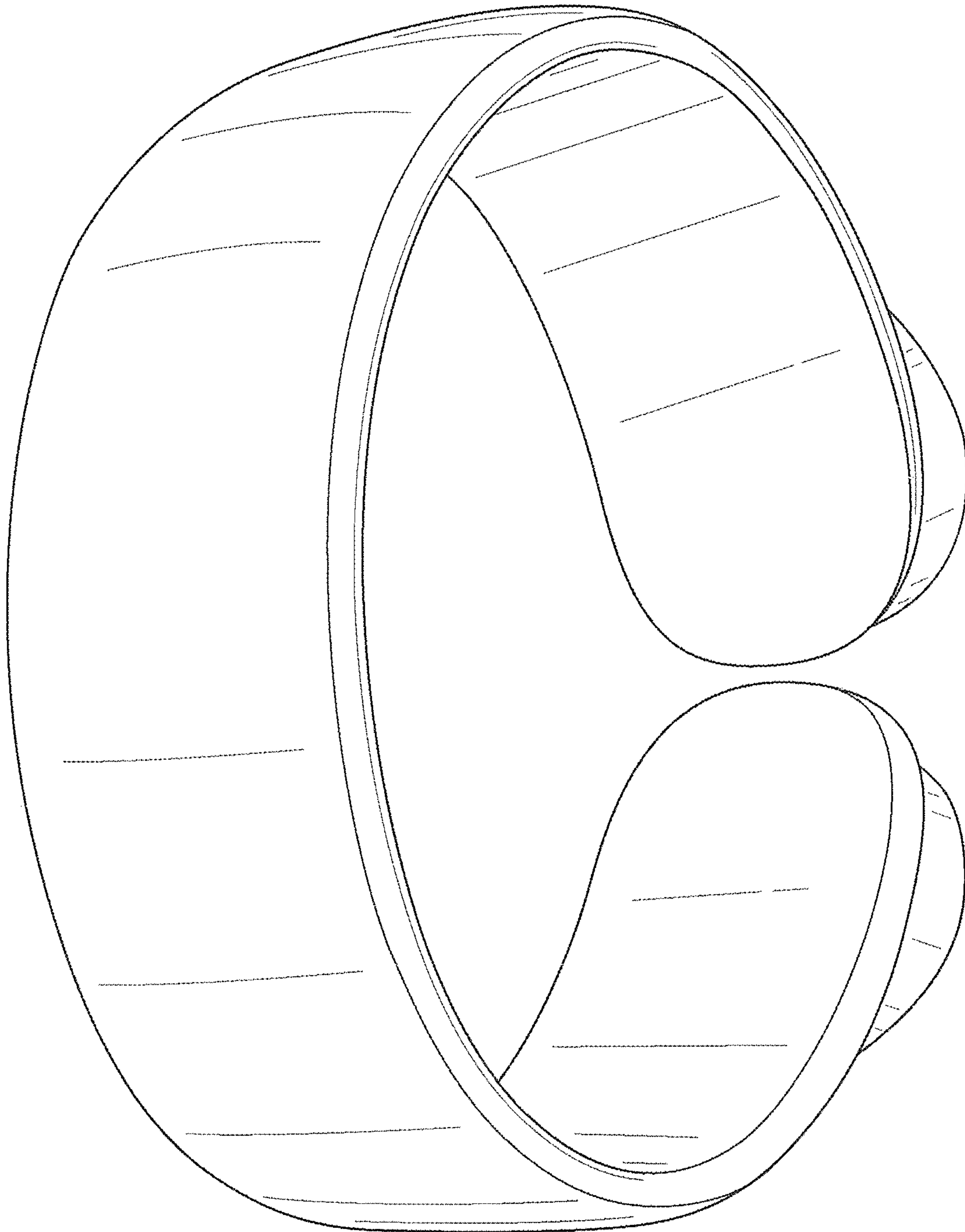


Fig. 9

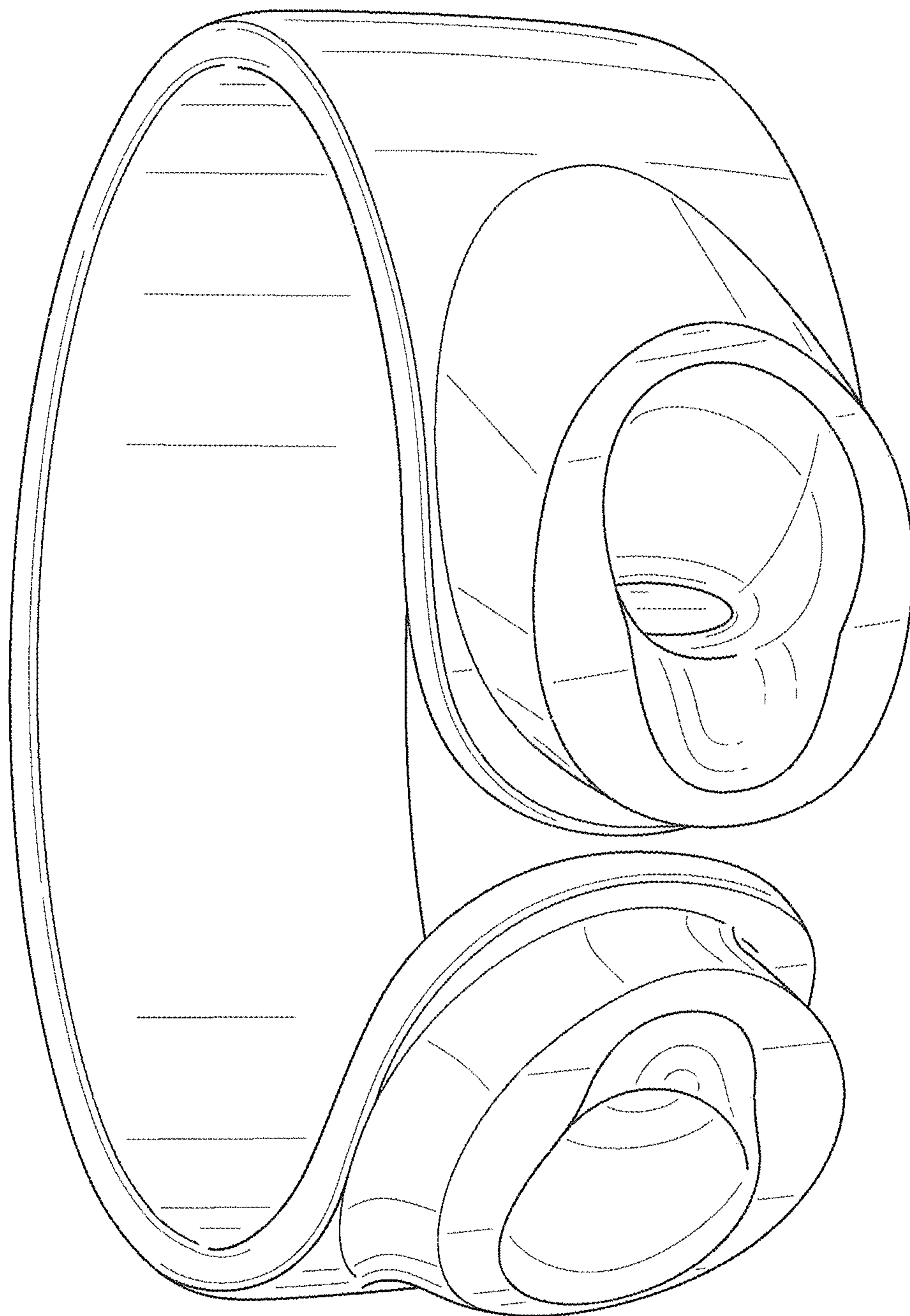


Fig. 10

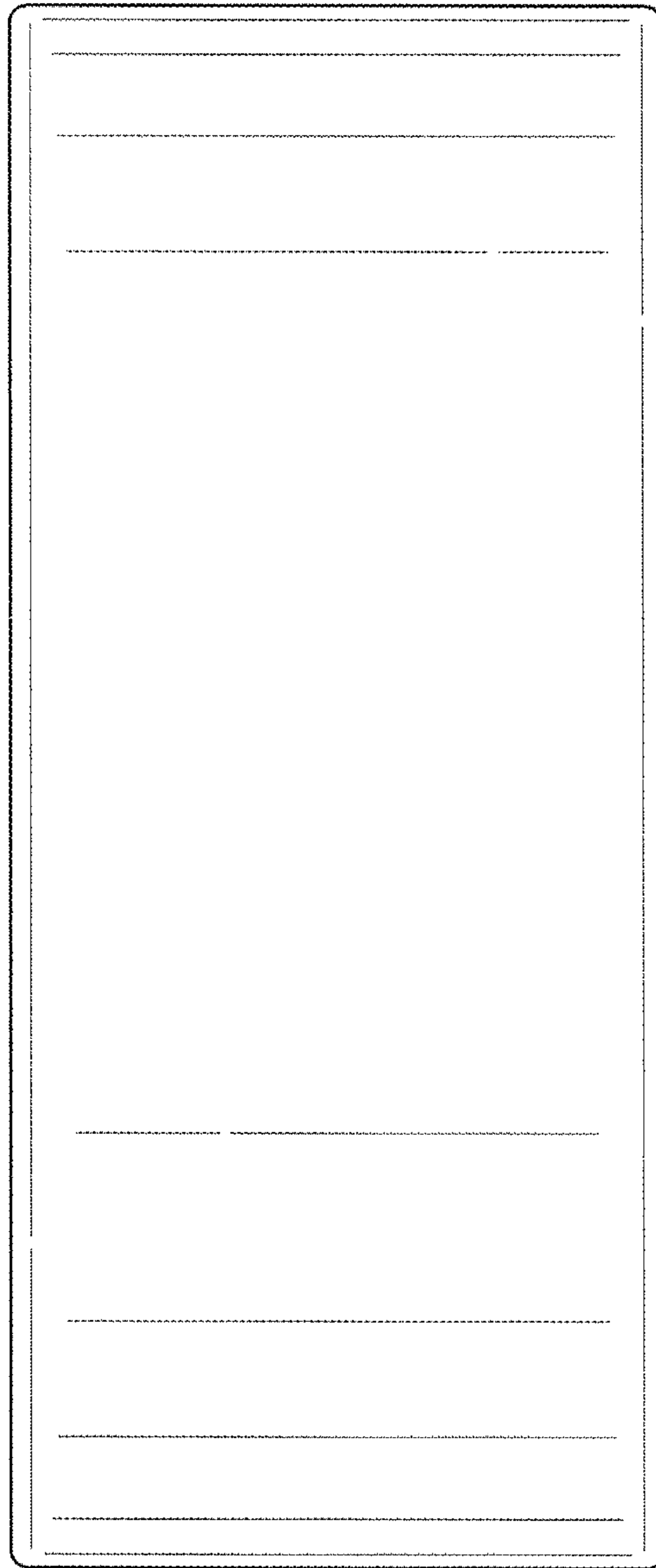


Fig. 11

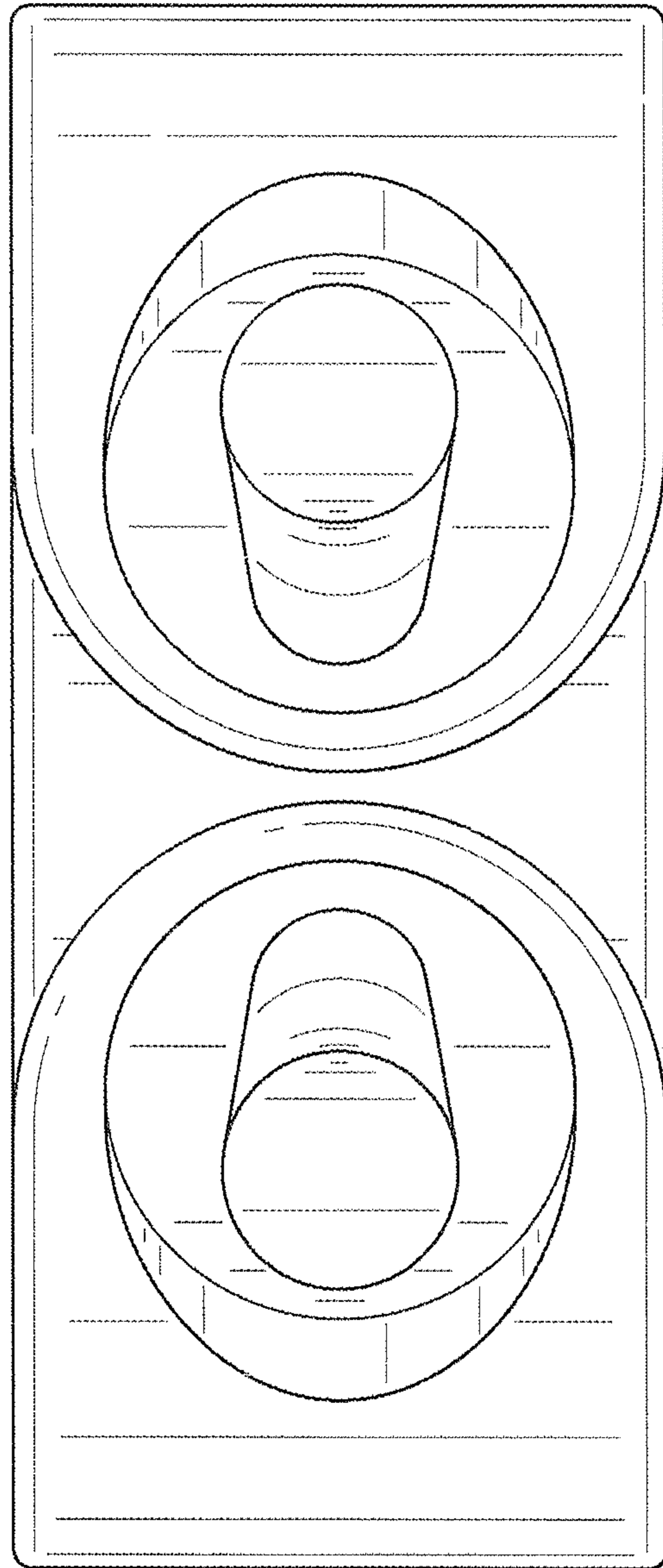


Fig. 12

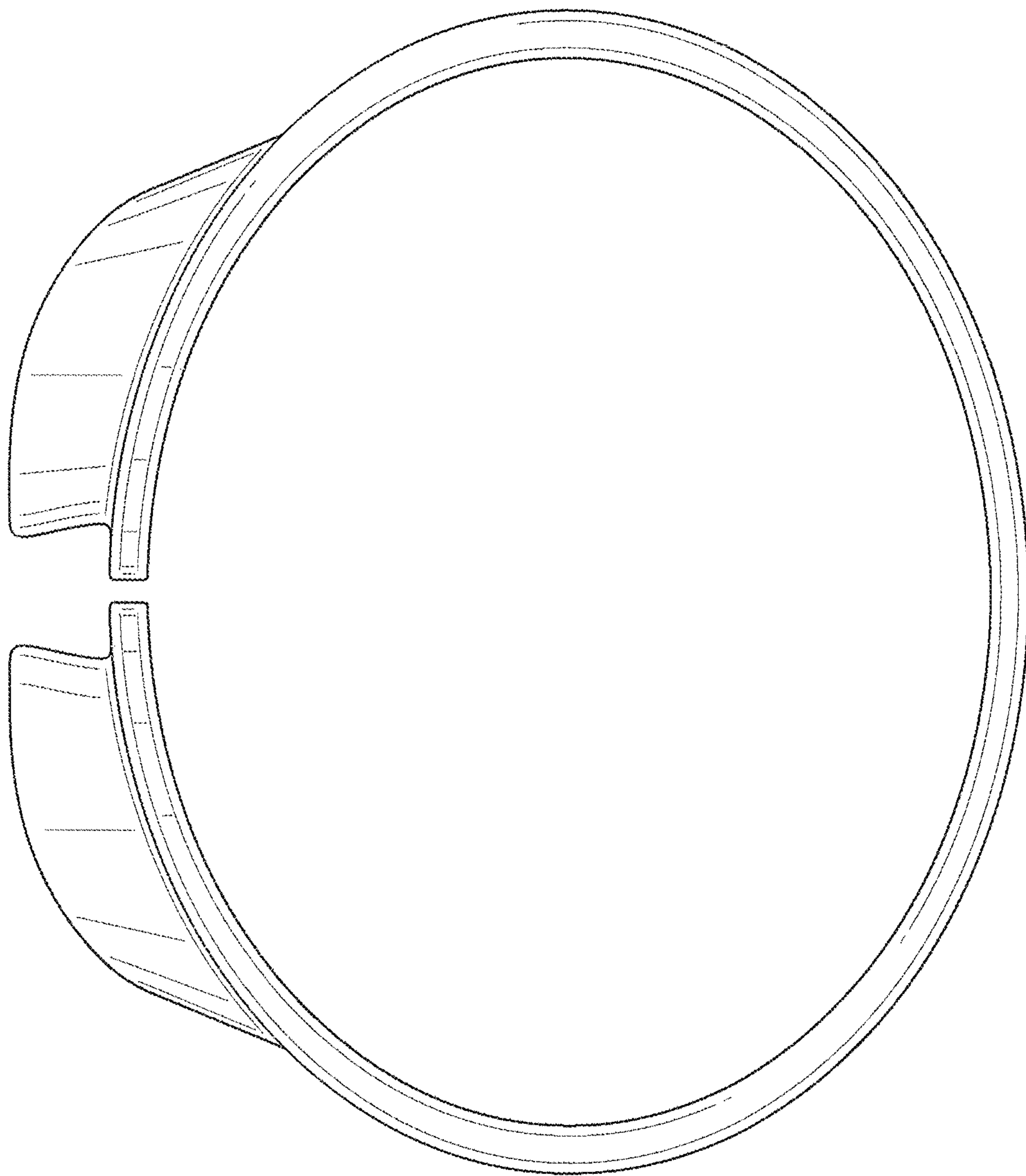


Fig. 13

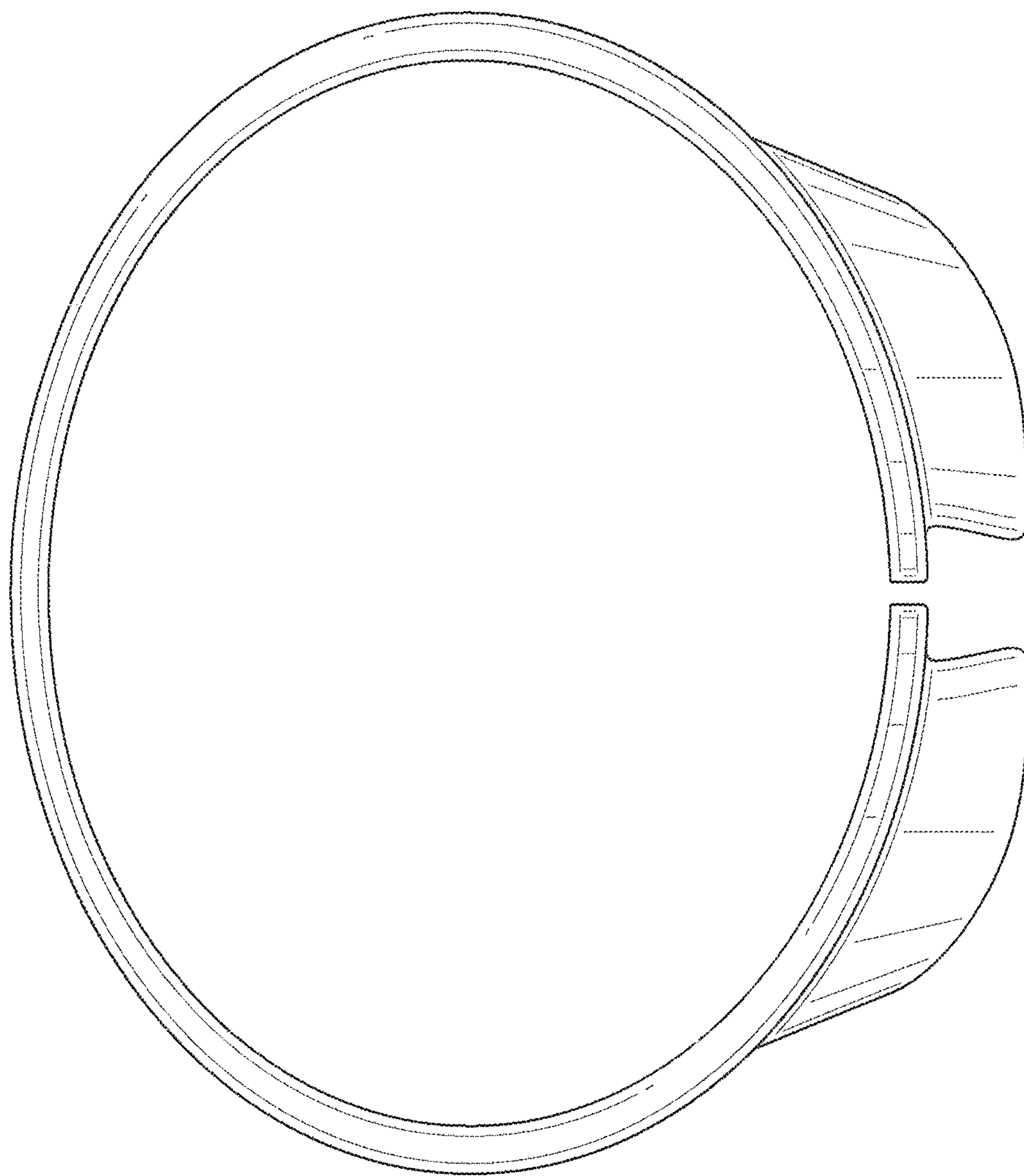


Fig. 14

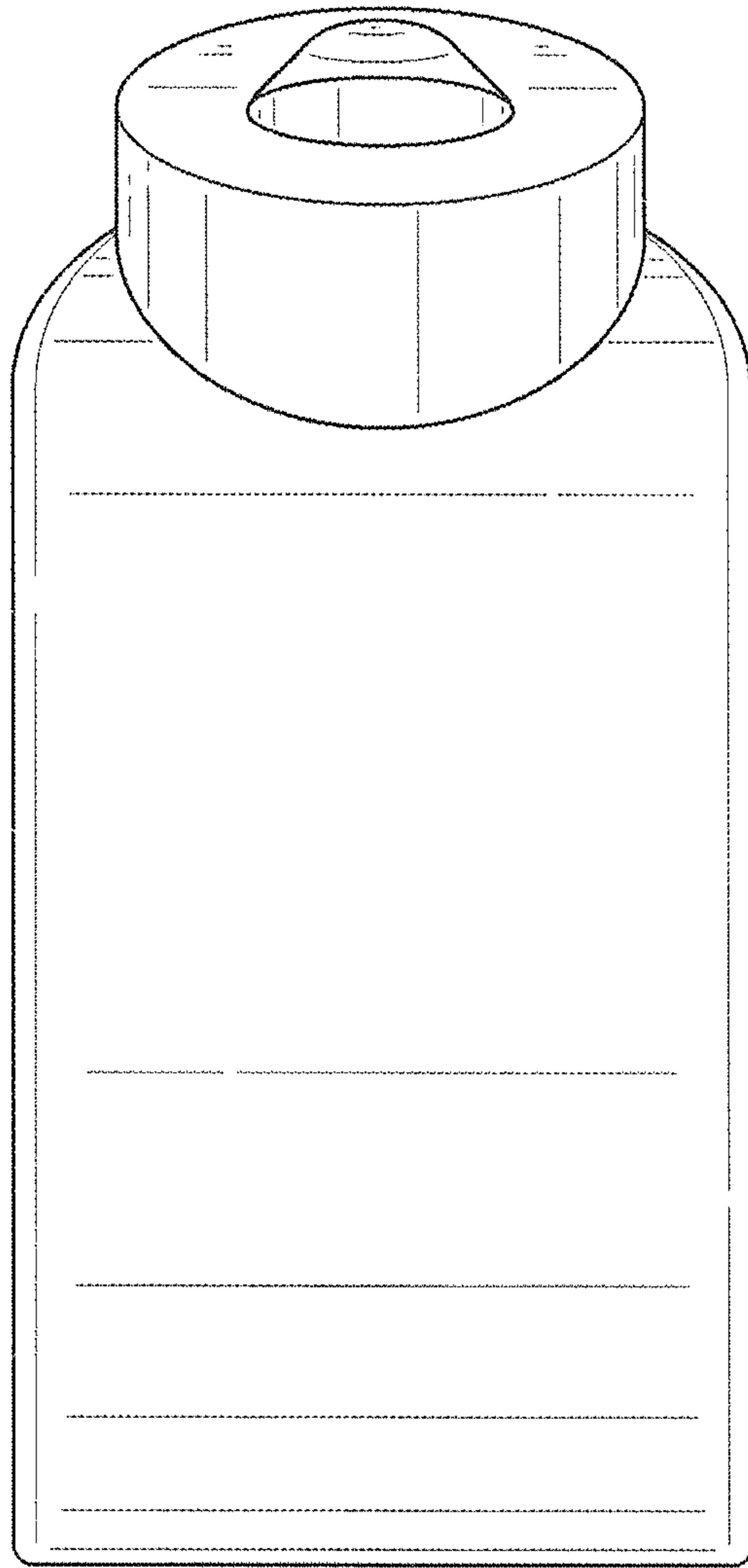


Fig. 15

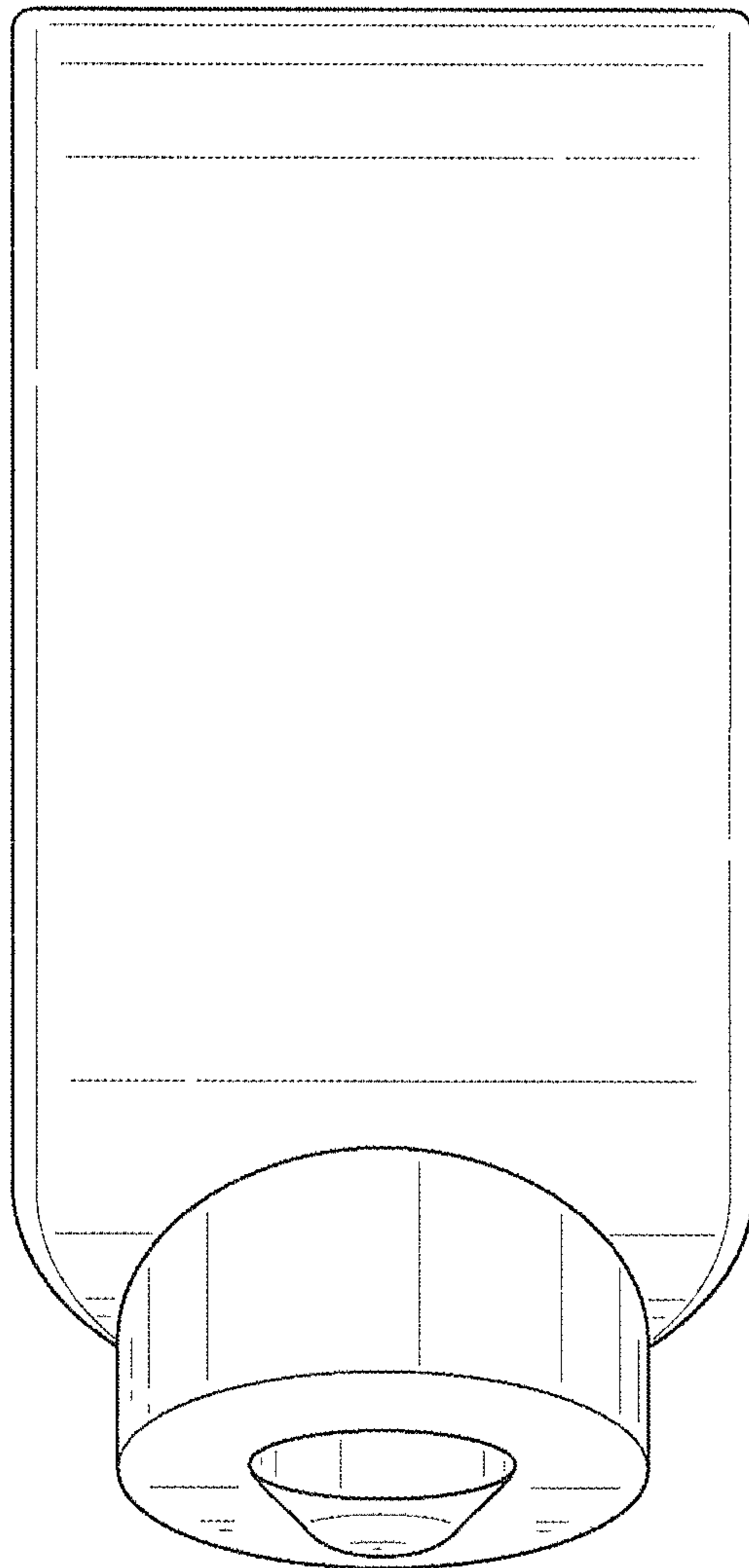


Fig. 16