



US00D881837S

(12) **United States Design Patent**
Xu

(10) **Patent No.:** **US D881,837 S**

(45) **Date of Patent:** **** Apr. 21, 2020**

(54) **SIGNAL RECEIVING DEVICE**

(71) Applicant: **Shenzhen Longxiang Intelligent Interconnection Technology Co., Ltd.,**
Shenzhen (CN)

(72) Inventor: **Shaoxi Xu, Shenzhen (CN)**

(73) Assignee: **Shenzhen Longxiang Intelligent Interconnection Technology Co., Ltd.,**
Shenzhen (CN)

(**) Term: **15 Years**

(21) Appl. No.: **29/716,988**

(22) Filed: **Dec. 13, 2019**

(51) **LOC (12) Cl.** **14-03**

(52) **U.S. Cl.**
USPC **D14/198**

(58) **Field of Classification Search**
USPC ... D14/140.1, 240, 242, 358, 125, 129, 130,
D14/140, 142, 155, 167, 168, 172, 188,
D14/195, 203.1, 203.6, 299, 496, 348,
D14/351, 356, 357, 197, 198; D13/123,
D13/152, 158, 162, 162.1, 163, 168, 184,
D13/199; D10/104.1, 106.1, 106.6,
D10/116.1, 61, 64, 75, 106.9
CPC ... H04B 1/38; H04B 1/20; H04B 1/06; H04B
1/08; G10L 19/0204
See application file for complete search history.

(56) **References Cited**

U.S. PATENT DOCUMENTS

D228,390 S	*	9/1973	Ohata et al.	D14/198
D228,510 S	*	10/1973	Ohta	D14/198
D230,279 S	*	2/1974	Kawano	D14/198
D232,741 S	*	9/1974	Hirasa et al.	D14/198
D248,951 S	*	8/1978	Imazeki	D14/197
D249,946 S	*	10/1978	Ohtomo	D14/197
D252,027 S	*	6/1979	Imazeki	D14/198
D259,565 S	*	6/1981	Watanabe	D14/197
D259,789 S	*	7/1981	Watanabe	D14/197

D297,139 S	*	8/1988	Lee	D14/125
D301,579 S	*	6/1989	van de Ven	D14/157
D316,092 S	*	4/1991	Ham	D14/157
D327,263 S	*	6/1992	Ogawa	D14/137
D328,747 S	*	8/1992	Ito	D14/188
D328,897 S	*	8/1992	Ito	D14/197
D337,761 S	*	7/1993	Morgan	D13/147
D345,970 S	*	4/1994	Kawamoto	D14/125
D349,697 S	*	8/1994	Fujino	D14/125
D351,154 S	*	10/1994	Fujino	D14/125
D362,003 S	*	9/1995	Claudio	D13/184

(Continued)

OTHER PUBLICATIONS

Wireless microphone receivers. (Design—© Questel) orbit.com. [online PDF] 26 pgs. Print Dates Range Oct. 16, 2013 through Jan. 21, 2020. [retrieved Mar. 6, 2020] <https://www.orbit.com/export/QPTUJ214/pdf2/098a8e14-ed80-4984-8916-95dcc024cff8-020301.pdf>.*

Primary Examiner — Marie D. Fast Horse

(74) *Attorney, Agent, or Firm* — ScienBiziP, P.C.

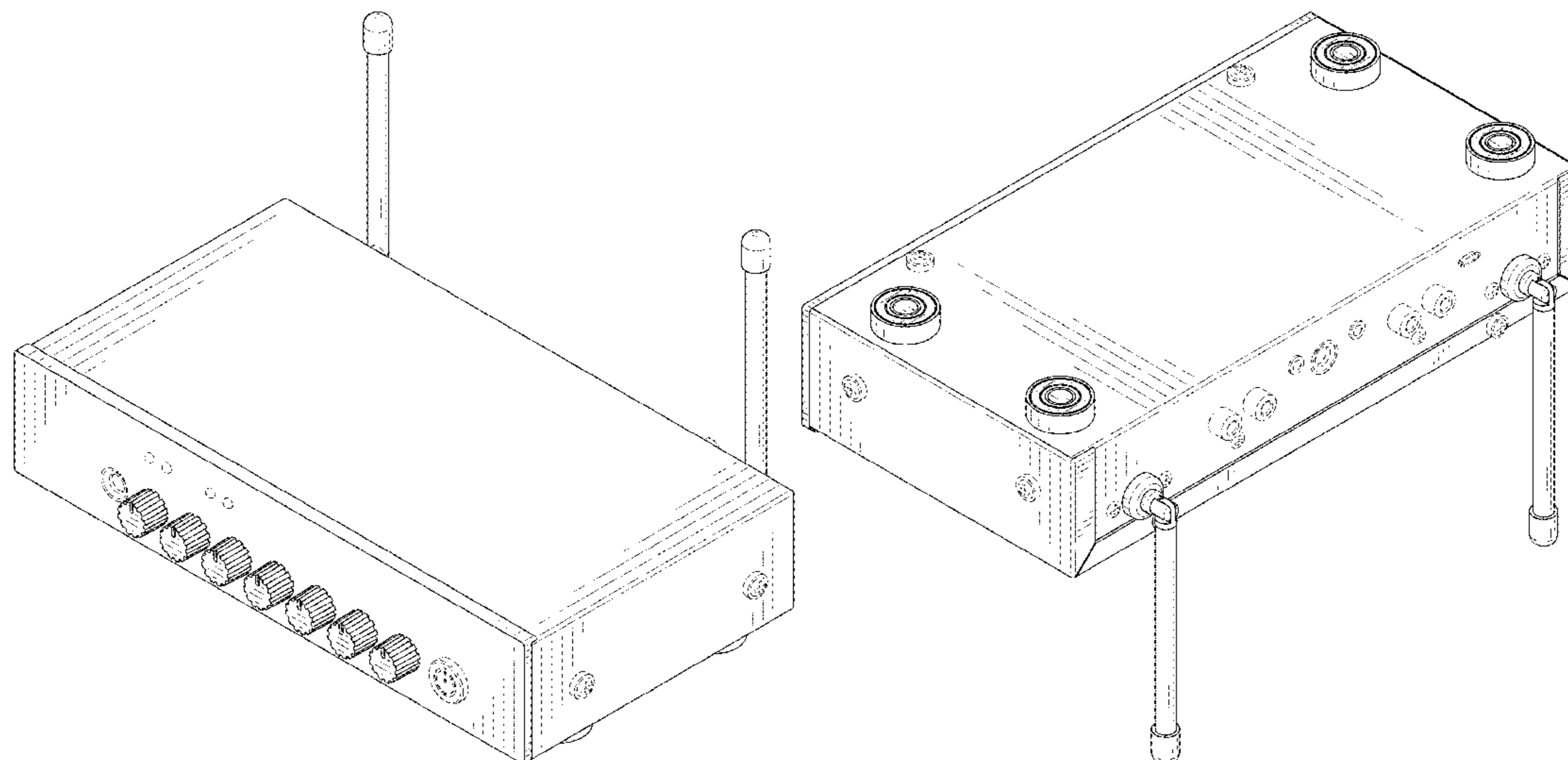
(57) **CLAIM**

The ornamental design for a signal receiving device, as shown and described.

DESCRIPTION

FIG. 1 is a front, top, right perspective view of a signal receiving device, showing my design.
FIG. 2 is a rear, bottom, left perspective view thereof.
FIG. 3 is a front elevation view thereof.
FIG. 4 is a rear elevation view thereof.
FIG. 5 is a left side elevation view thereof.
FIG. 6 is a right side elevation view thereof.
FIG. 7 is a top plan view thereof; and,
FIG. 8 is a bottom plan view thereof.
The broken lines in the drawings depict portions of the signal receiving device that form no part of the claimed design.

1 Claim, 8 Drawing Sheets



(56)

References Cited

U.S. PATENT DOCUMENTS

D362,845 S * 10/1995 Ito D10/75
 D370,677 S * 6/1996 Olson D14/188
 D374,010 S * 9/1996 Jue D14/188
 D375,956 S * 11/1996 Shintani D14/198
 D383,139 S * 9/1997 Hill D14/242
 D387,755 S * 12/1997 Shintani D14/135
 D394,046 S * 5/1998 Kurokawa D14/358
 D409,199 S * 5/1999 Taguchi D14/217
 D409,203 S * 5/1999 Morimiya D14/230
 D418,136 S * 12/1999 Kizawa D14/188
 D433,642 S * 11/2000 Bauman D10/104.1
 D436,351 S * 1/2001 Asai D14/188
 D437,311 S * 2/2001 Nam D14/227
 D439,886 S * 4/2001 Frank D14/125
 D444,138 S * 6/2001 Ito D14/168
 D445,705 S * 7/2001 Kliegman D10/104.1
 D446,143 S * 8/2001 Kliegman D14/240
 D459,319 S * 6/2002 Ahn D14/125
 D460,452 S * 7/2002 Yoshie D14/358
 D467,237 S * 12/2002 Narumi D14/188
 D471,540 S * 3/2003 Tomino D14/240
 D471,543 S * 3/2003 Yang D14/240
 D477,304 S * 7/2003 Isaacs D14/188
 D477,329 S * 7/2003 Heath D14/496
 D484,496 S * 12/2003 Watanabe D14/240
 D485,550 S * 1/2004 Deguchi D14/240
 D486,820 S * 2/2004 Burns D14/242
 D488,150 S 4/2004 Chen et al.
 D494,156 S 8/2004 Chen et al.
 D500,756 S * 1/2005 Liang D14/240
 D502,696 S * 3/2005 Ishibashi D14/168
 D508,478 S * 8/2005 Nakajima D14/188
 D510,094 S * 9/2005 Bolton D14/496

D511,505 S * 11/2005 Nam D14/125
 D520,503 S * 5/2006 Shimizu D14/358
 D529,903 S * 10/2006 McRae D14/240
 D531,152 S * 10/2006 Moriya D14/506
 D531,590 S * 11/2006 Maeyama D14/125
 D556,190 S * 11/2007 Liu D14/240
 D556,777 S * 12/2007 Hussaini D14/496
 D562,814 S * 2/2008 Liu D14/240
 D564,493 S * 3/2008 Tejima D14/168
 D580,422 S * 11/2008 Lee D14/240
 D586,328 S 2/2009 Ganley et al.
 D596,177 S * 7/2009 Steele D14/358
 D597,087 S * 7/2009 Herbst D14/240
 D600,232 S * 9/2009 Lee D14/188
 D602,020 S * 10/2009 Haspil D14/358
 D606,523 S * 12/2009 Herbst D14/240
 D616,425 S * 5/2010 Hsia D14/240
 D619,129 S * 7/2010 Chen D14/240
 D662,076 S * 6/2012 Ryu D14/188
 D662,496 S * 6/2012 Lewis D14/240
 D664,943 S * 8/2012 Choi D14/188
 D666,989 S * 9/2012 Behringer D14/188
 D673,935 S 1/2013 Lee
 8,380,131 B2 * 2/2013 Chiang H04B 1/20
 381/311
 D682,251 S * 5/2013 Behringer D14/188
 D686,207 S * 7/2013 Lewis D14/240
 D738,869 S * 9/2015 Groener D14/240
 D766,223 S * 9/2016 Chen D14/240
 D784,939 S * 4/2017 Luo D14/125
 D810,044 S * 2/2018 Ohmachi D14/188
 D814,434 S * 4/2018 Li D14/125
 D871,364 S * 12/2019 Lundgard D14/188
 2009/0024395 A1 * 1/2009 Banba G10L 19/0204
 704/500

* cited by examiner

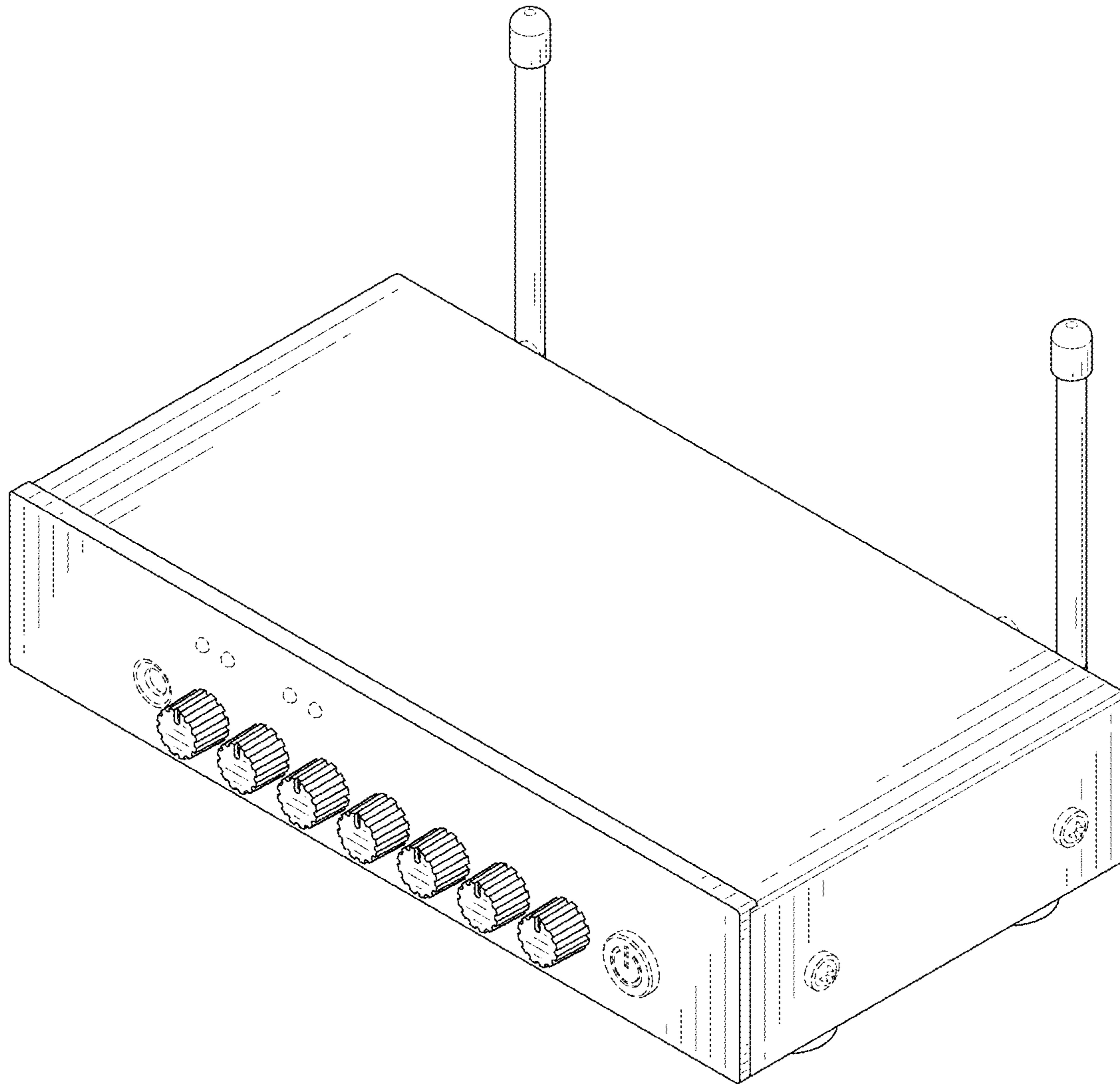


FIG. 1

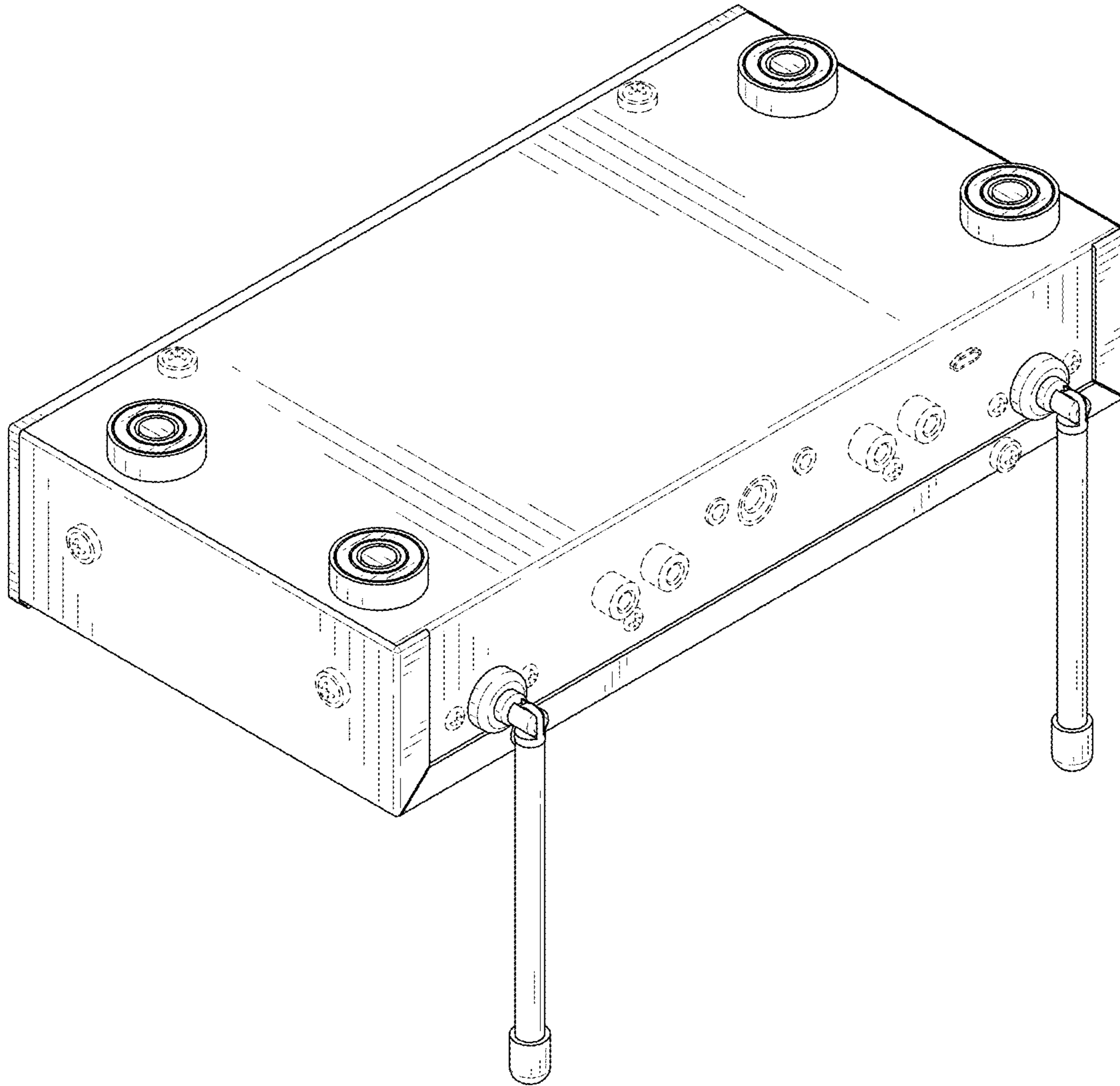


FIG. 2

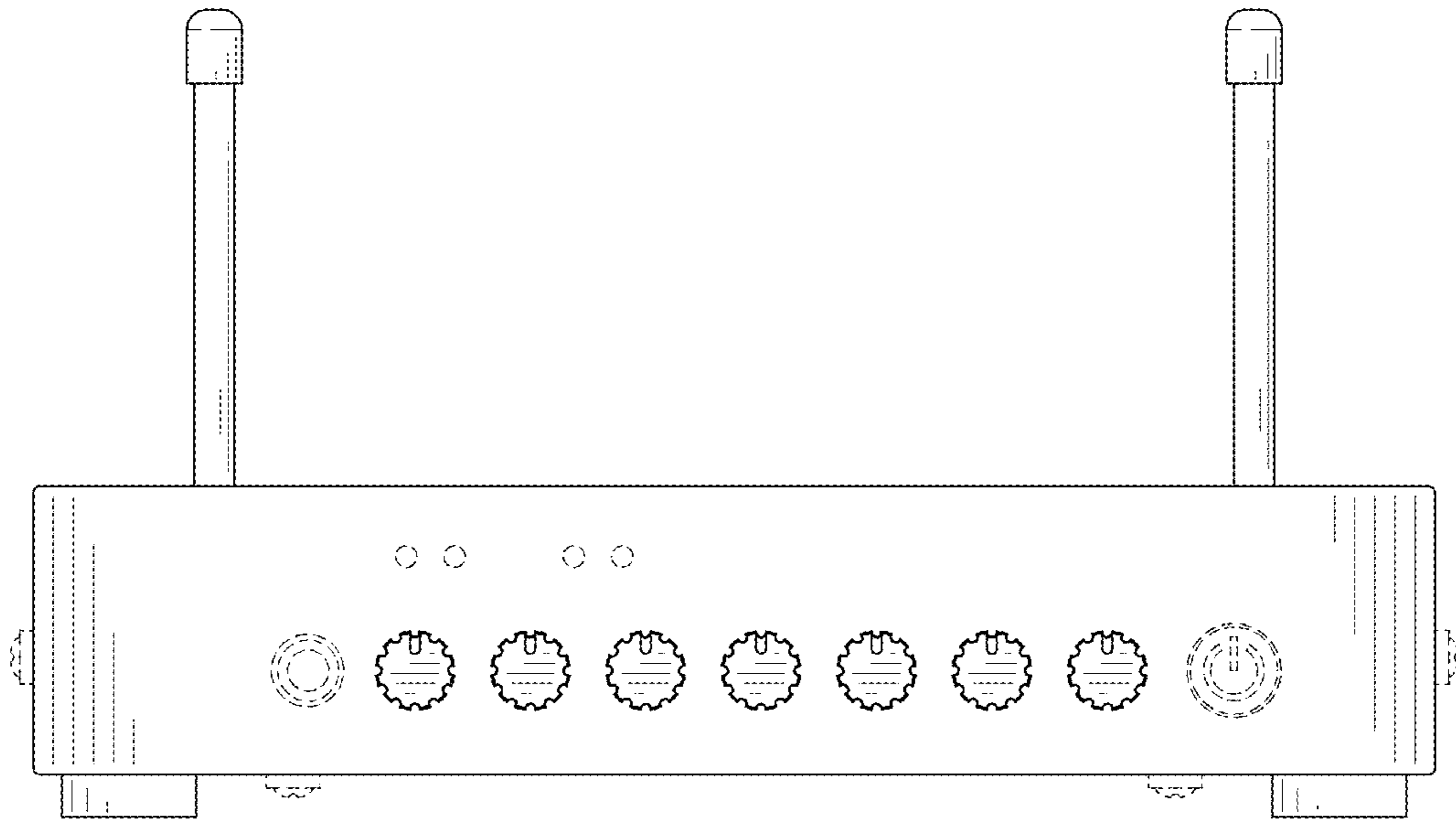


FIG. 3

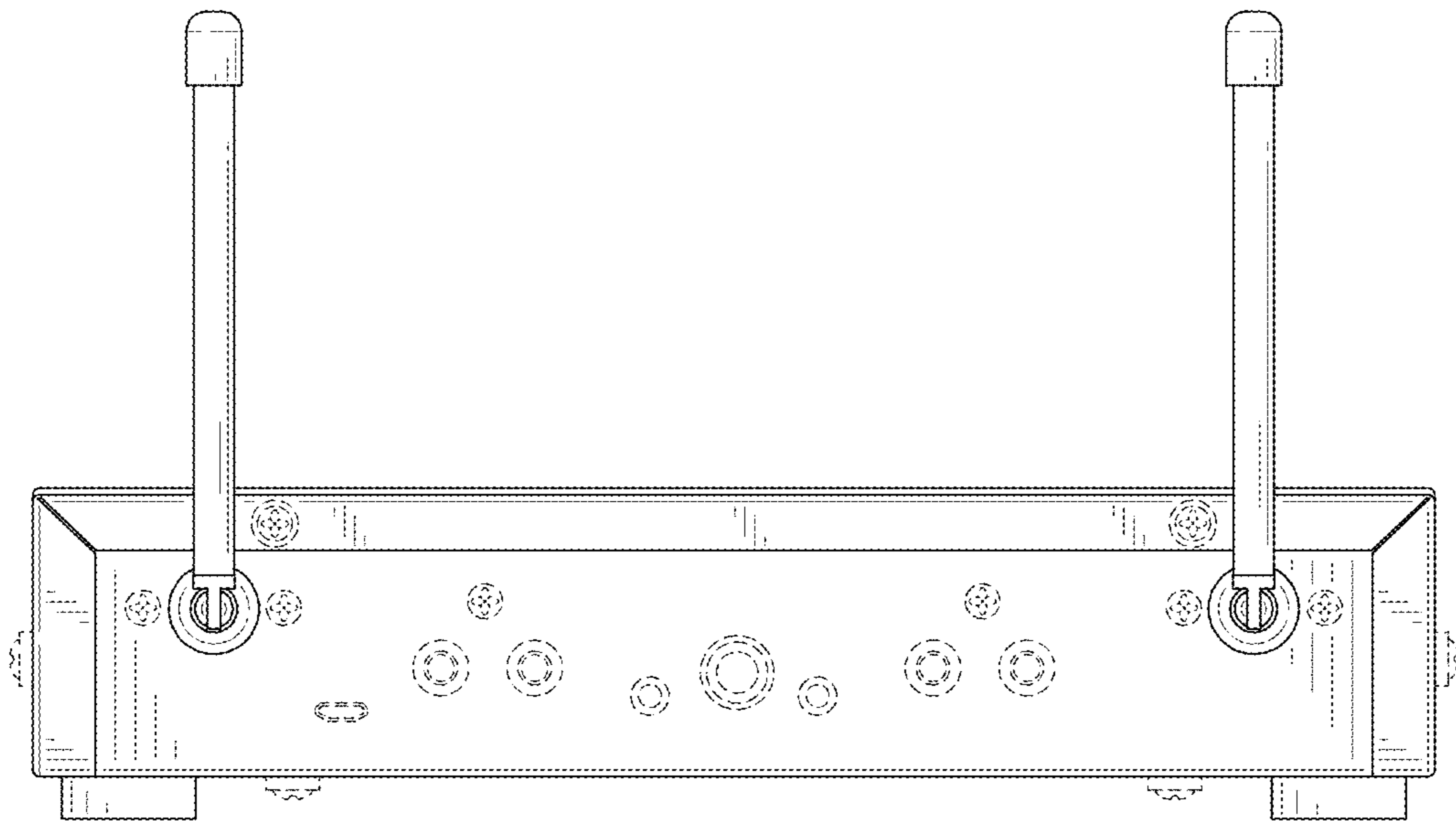


FIG. 4

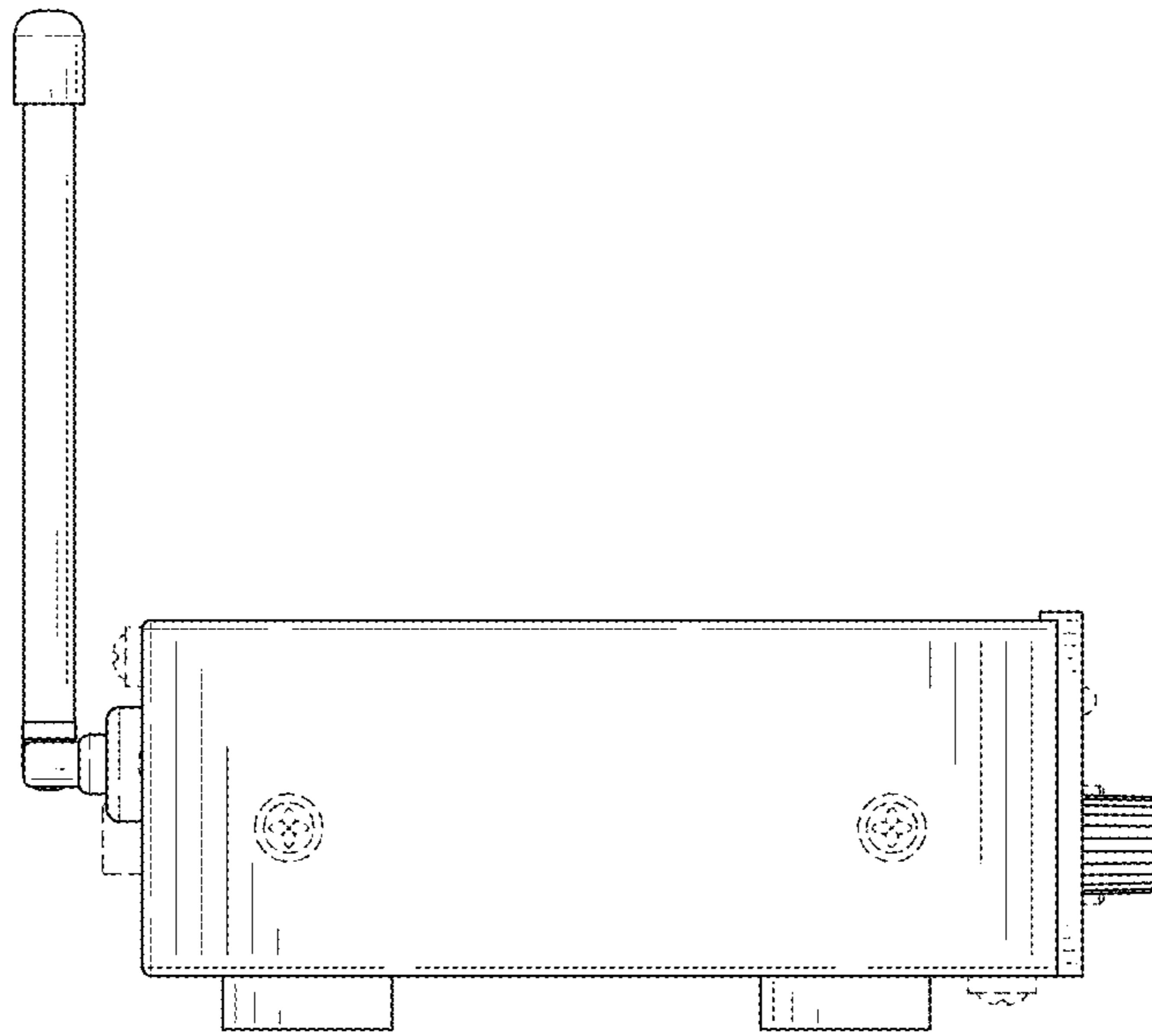


FIG. 5

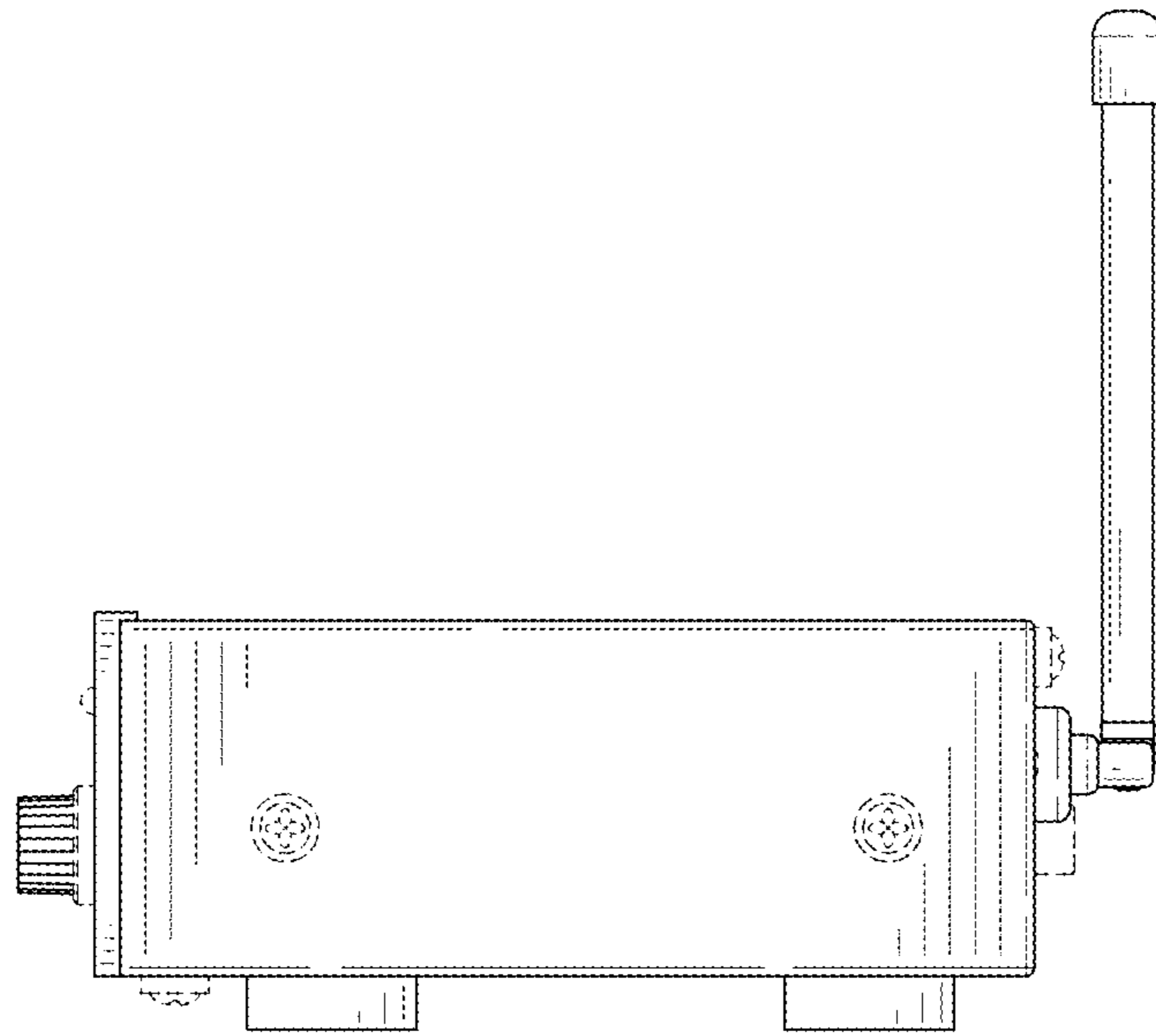


FIG. 6

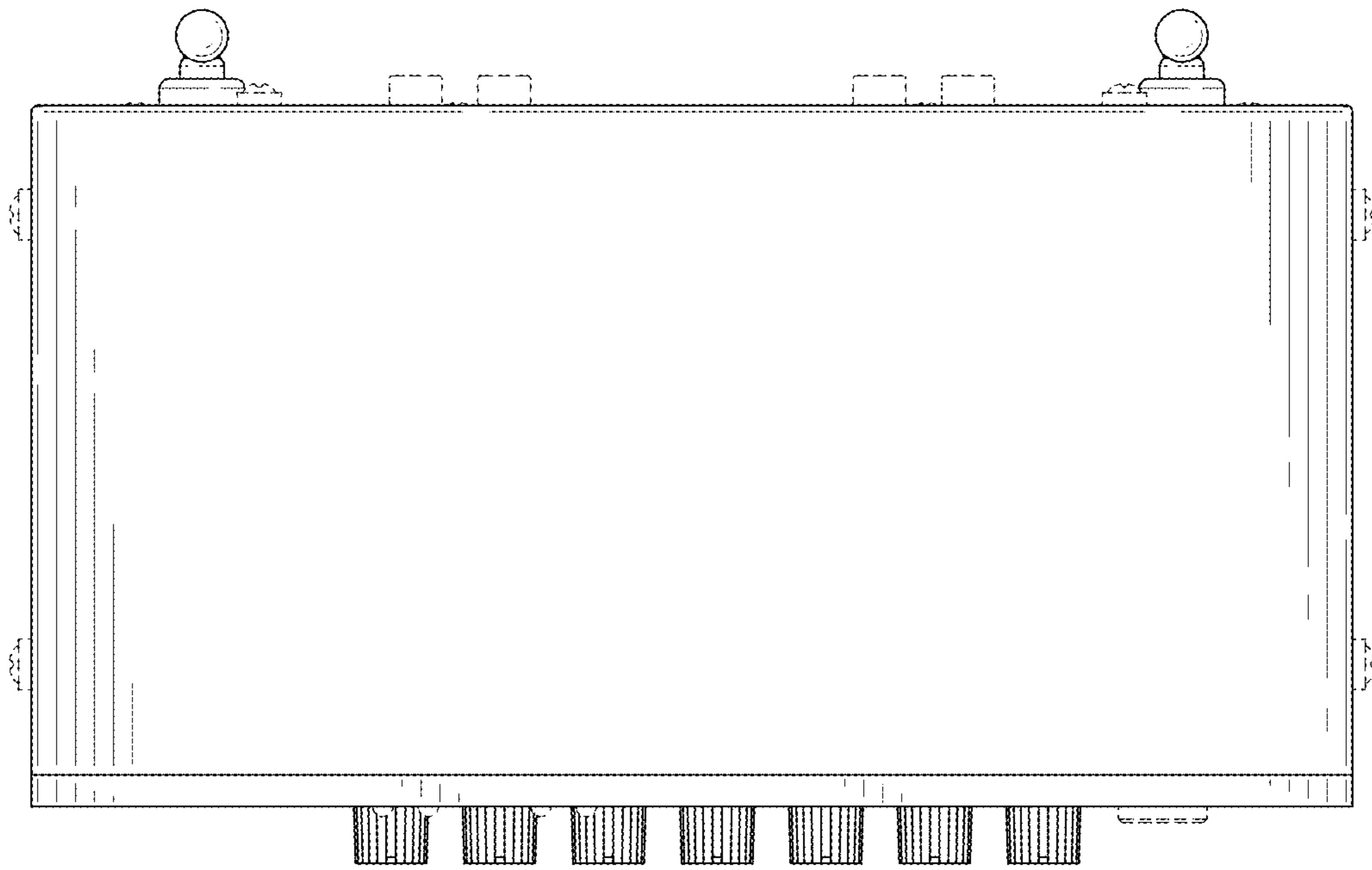


FIG. 7

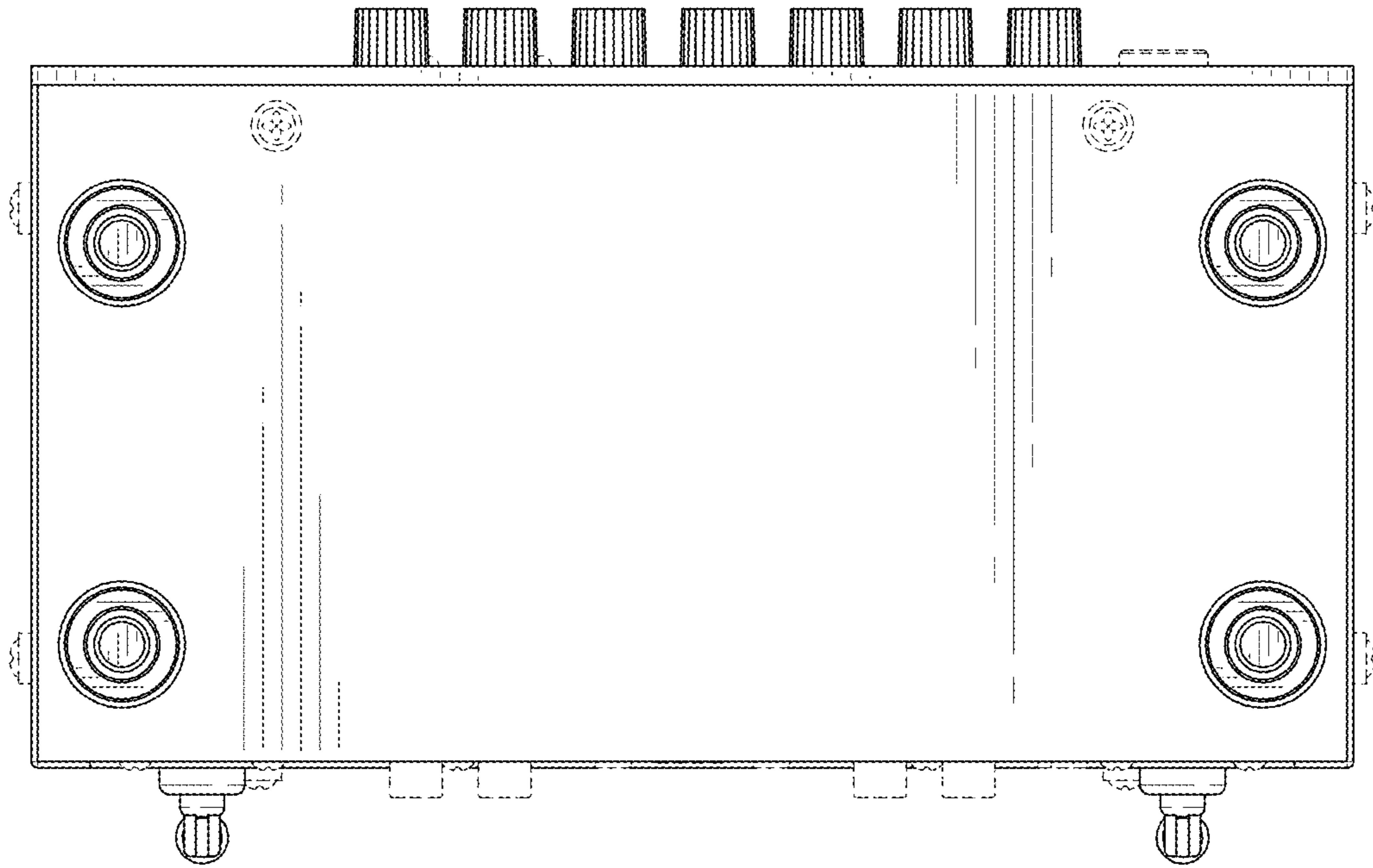


FIG. 8