



US00D881836S

(12) **United States Design Patent**  
**McWilliam**

(10) **Patent No.:** **US D881,836 S**

(45) **Date of Patent:** **\*\* Apr. 21, 2020**

- (54) **AUDIO RECEIVER DEVICE**
- (71) Applicant: **Amazon Technologies, Inc.**, Seattle, WA (US)
- (72) Inventor: **Giles David Matthew McWilliam**, San Francisco, CA (US)
- (73) Assignee: **Amazon Technologies, Inc.**, Seattle, WA (US)
- (\*\*) Term: **15 Years**
- (21) Appl. No.: **29/663,044**

- D538,255 S \* 3/2007 Matsuoka ..... D14/157
  - D538,264 S \* 3/2007 Peersman ..... D14/209.1
  - D550,646 S \* 9/2007 Kaneko ..... D14/168
- (Continued)

- (22) Filed: **Sep. 11, 2018**
- (51) **LOC (12) Cl.** ..... **14-03**
- (52) **U.S. Cl.**

OTHER PUBLICATIONS

The Indian Office Action dated Mar. 28, 2019 for Indian Patent Application No. 315437-001, a counterpart of U.S. Appl. No. 29/663,046, 2 pages.

(Continued)

- USPC ..... **D14/188**
  - (58) **Field of Classification Search**
  - USPC ..... D14/167, 168, 170–172, 187, 188, D14/194–196, 204, 207, 209.1, 210–216, D14/219, 221, 222, 224, 239, 496; 181/143, 144, 147, 148, 150, 153, 157, 181/198, 199; 381/300–303, 306, 332, 381/333, 336, 345, 361–364, 386–388; 369/6–12
  - CPC ..... B60R 11/0217; G06F 1/1688; G10K 9/22; G10K 11/004; H03F 1/327; H04M 1/03; H04M 1/035; H04N 5/642; H04N 21/4852; H04R 1/02; H04R 1/06; H04R 1/021; H04R 1/025; H04R 1/026; H04R 1/028; H04R 1/105; H04R 1/323; H04R 1/403; H04R 1/2803; H04R 1/2834; H04R 5/02; H04R 7/20; H04R 9/06; H04R 9/025; H04R 2201/021; H04R 2400/00; H04R 2201/07; H04R 2499/11; H04R 2499/13; H04R 2499/15; H04S 3/00; H04S 7/30
- See application file for complete search history.

Primary Examiner — Katie Jane Stofko

(74) *Attorney, Agent, or Firm* — Lee & Hayes, P.C.

(57) **CLAIM**

The ornamental design for an audio receiver device, as shown and described.

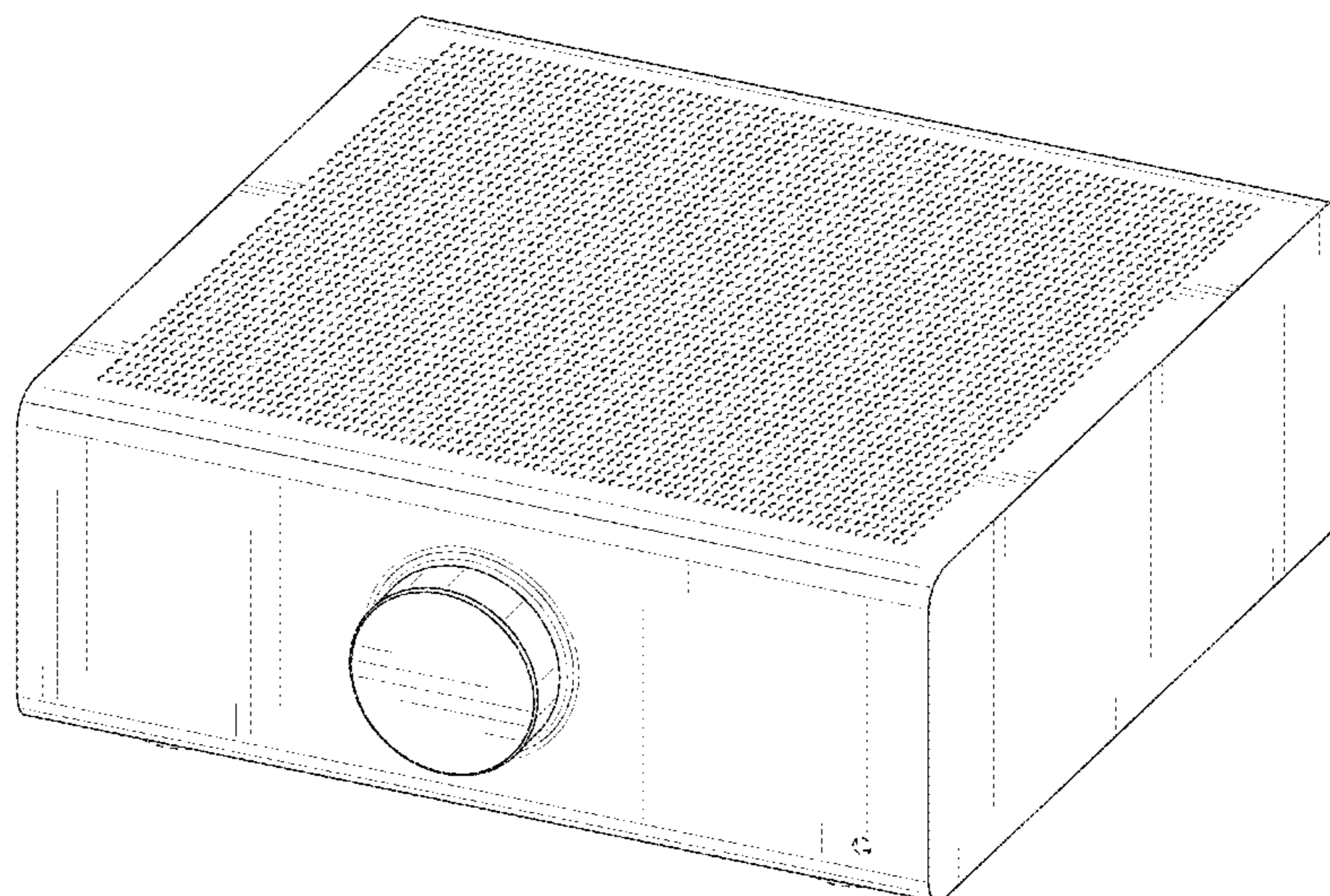
**DESCRIPTION**

FIG. 1 is a top perspective view of a first embodiment of an audio receiver device;  
 FIG. 2 is a front view thereof;  
 FIG. 3 is a back view thereof;  
 FIG. 4 is a left-side view thereof;  
 FIG. 5 is a right-side view thereof;  
 FIG. 6 is a top view thereof;  
 FIG. 7 is a bottom view thereof;  
 FIG. 8 is a top perspective view of a second embodiment of an audio receiver device;  
 FIG. 9 is a front view thereof;  
 FIG. 10 is a back view thereof;  
 FIG. 11 is a left-side view thereof;  
 FIG. 12 is a right-side view thereof;  
 FIG. 13 is a top view thereof; and,  
 FIG. 14 is a bottom view thereof.

The dashed broken lines depict portions of the audio receiver device which form no part of the claimed design.

- (56) **References Cited**
- U.S. PATENT DOCUMENTS
- D213,050 S \* 12/1968 Hardy ..... D14/185
- D316,716 S \* 5/1991 Nagata ..... D14/188

**1 Claim, 14 Drawing Sheets**



(56)

**References Cited**

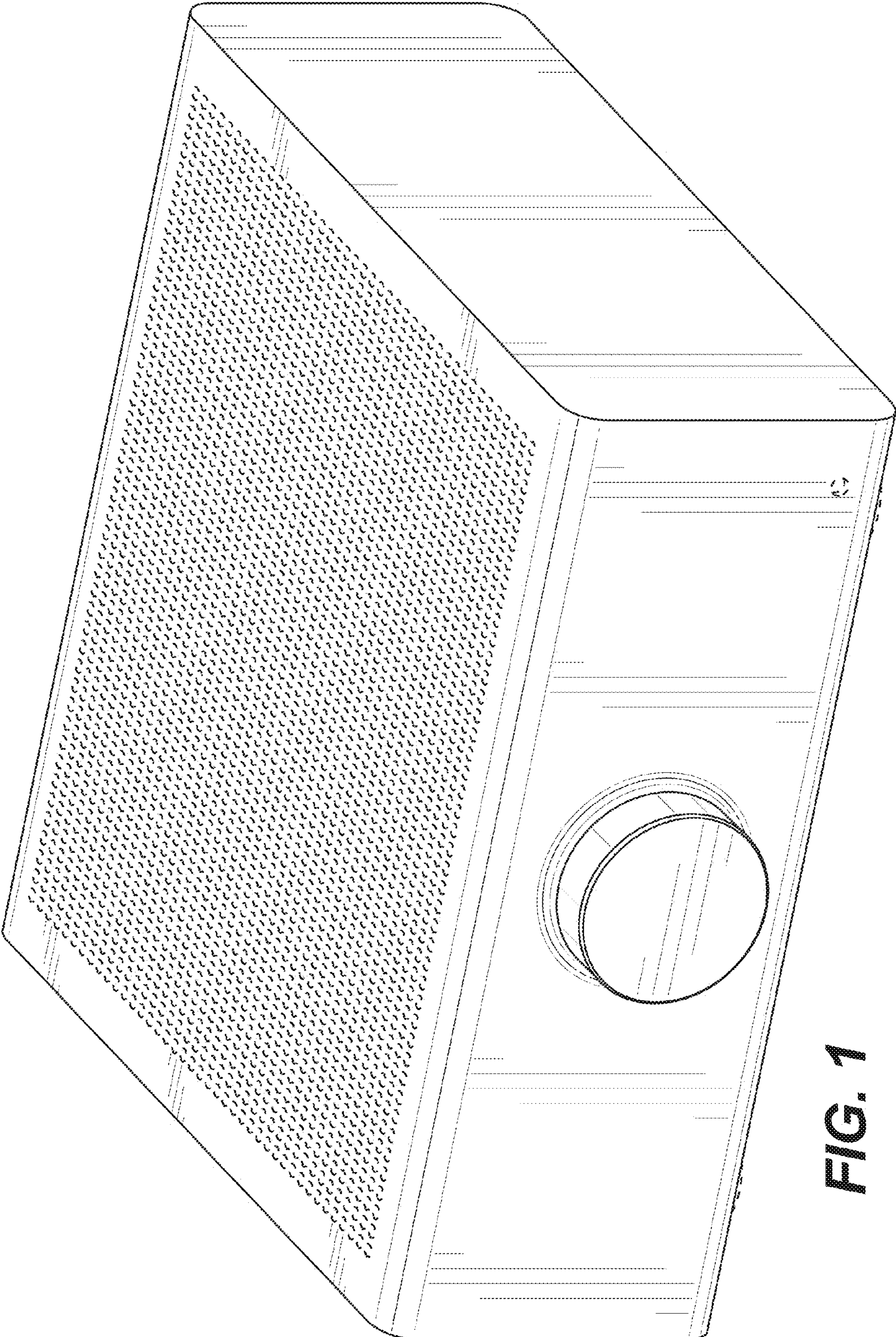
U.S. PATENT DOCUMENTS

D563,403	S	*	3/2008	Files	.....	D14/188
D571,350	S	*	6/2008	Iwamoto	.....	D14/157
D572,232	S	*	7/2008	Joseph	.....	D14/188
D579,441	S	*	10/2008	Okamura	.....	D14/168
D669,992	S	*	10/2012	Schafer	.....	D24/170
D690,280	S	*	9/2013	Schul	.....	D14/168
D746,254	S	*	12/2015	Ito	.....	D14/188
D836,088	S	*	12/2018	Ivey	.....	D14/215

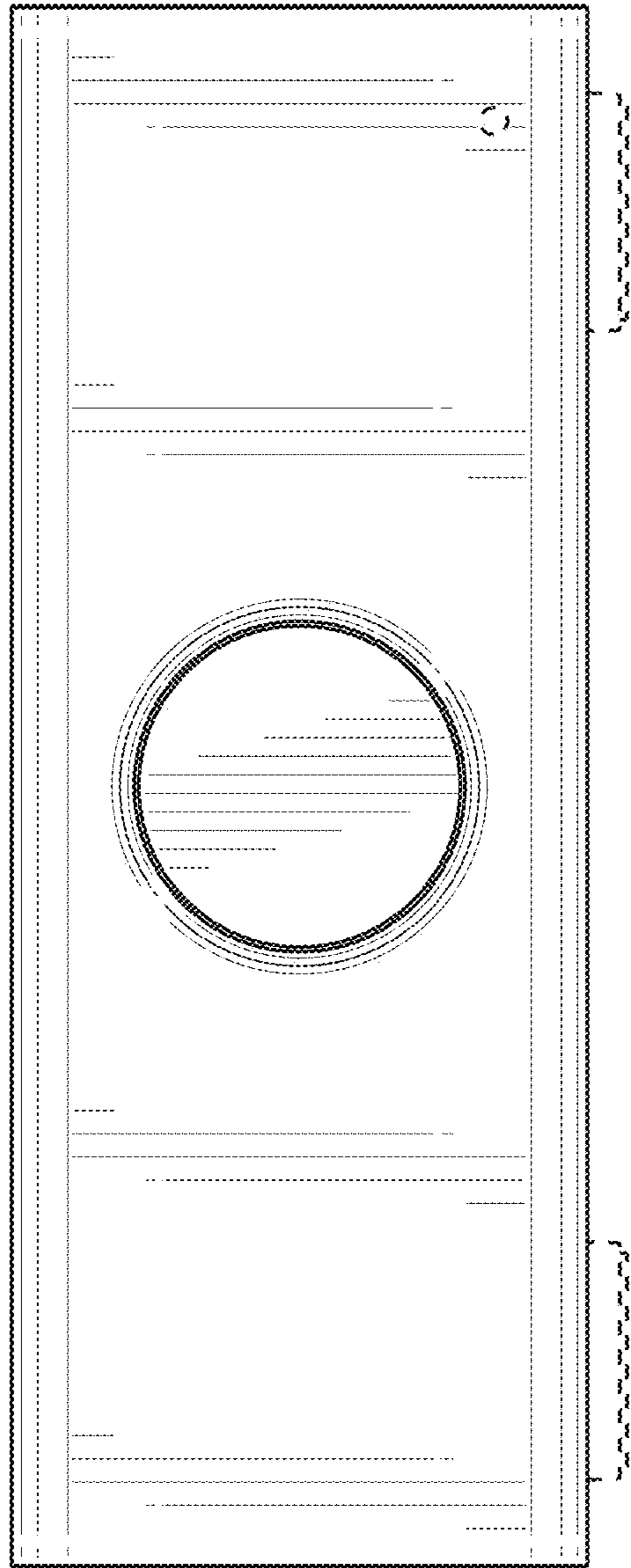
OTHER PUBLICATIONS

The Indian Office Action dated Apr. 11, 2019 for Indian Patent Application No. 315436-001, a counterpart of U.S. Appl. No. 29/663,044, 2 pages.

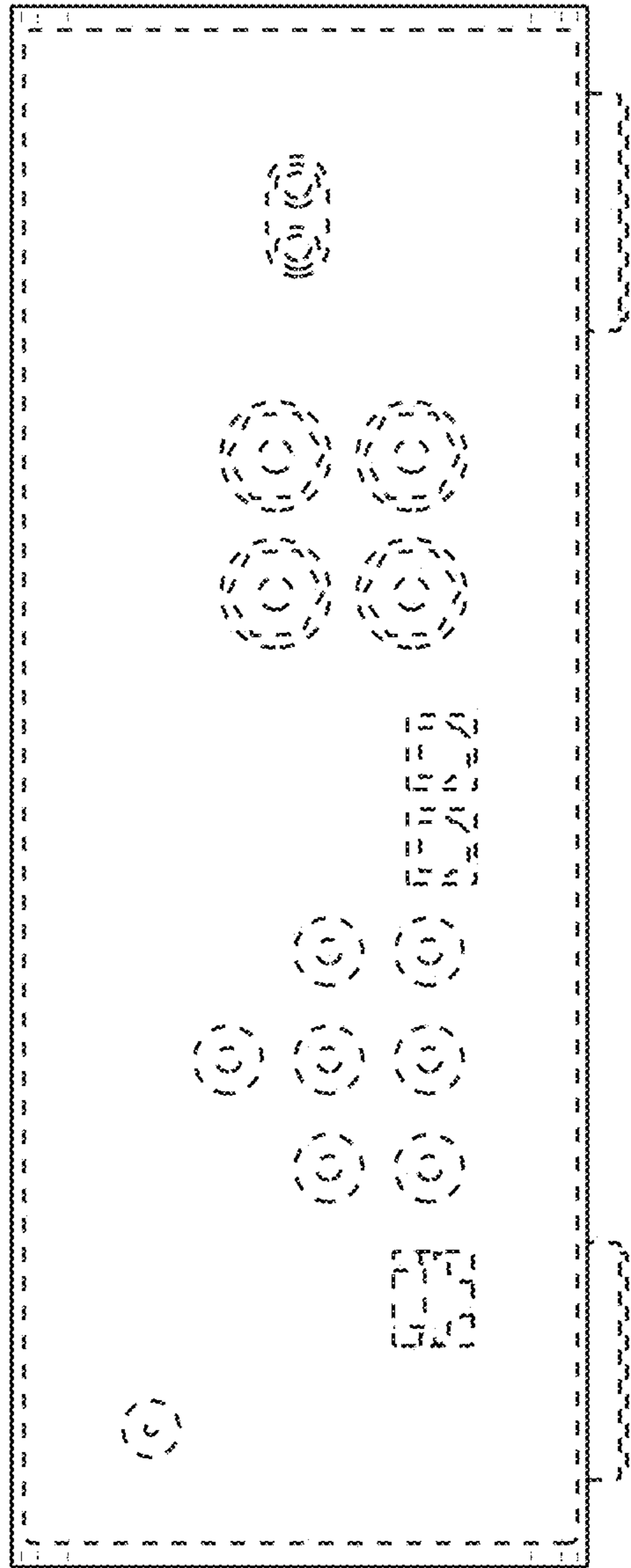
\* cited by examiner



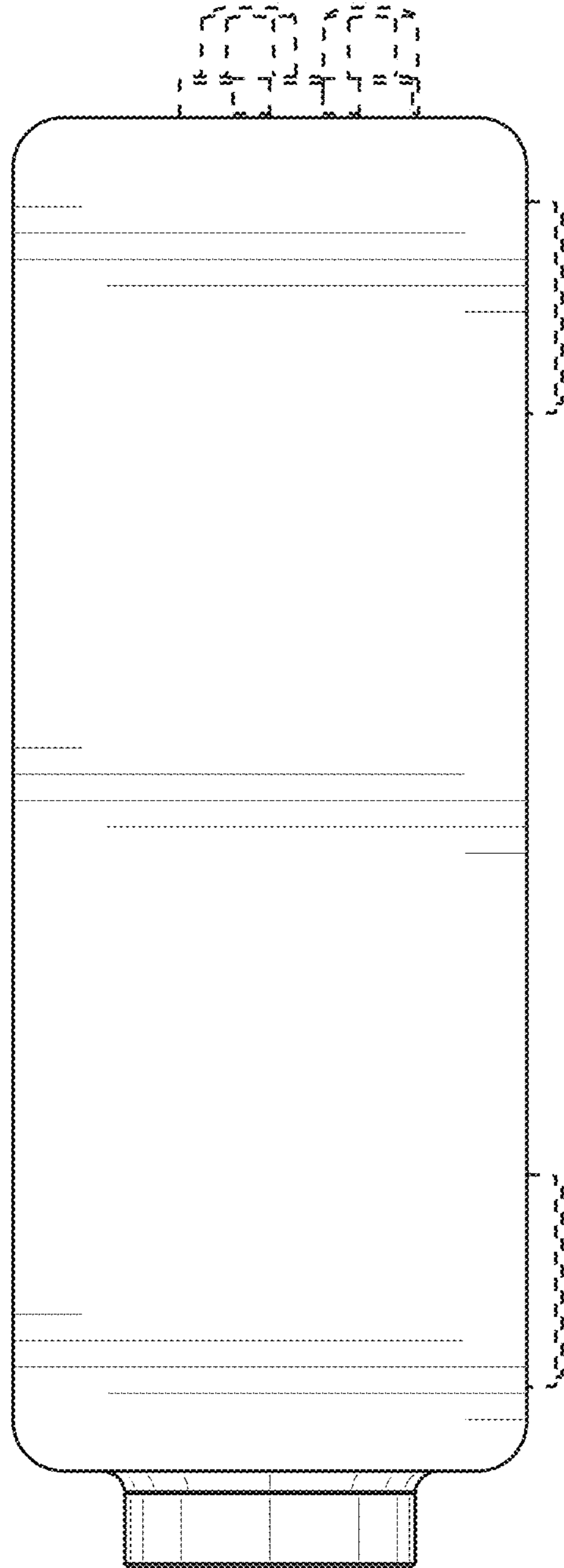
**FIG. 1**



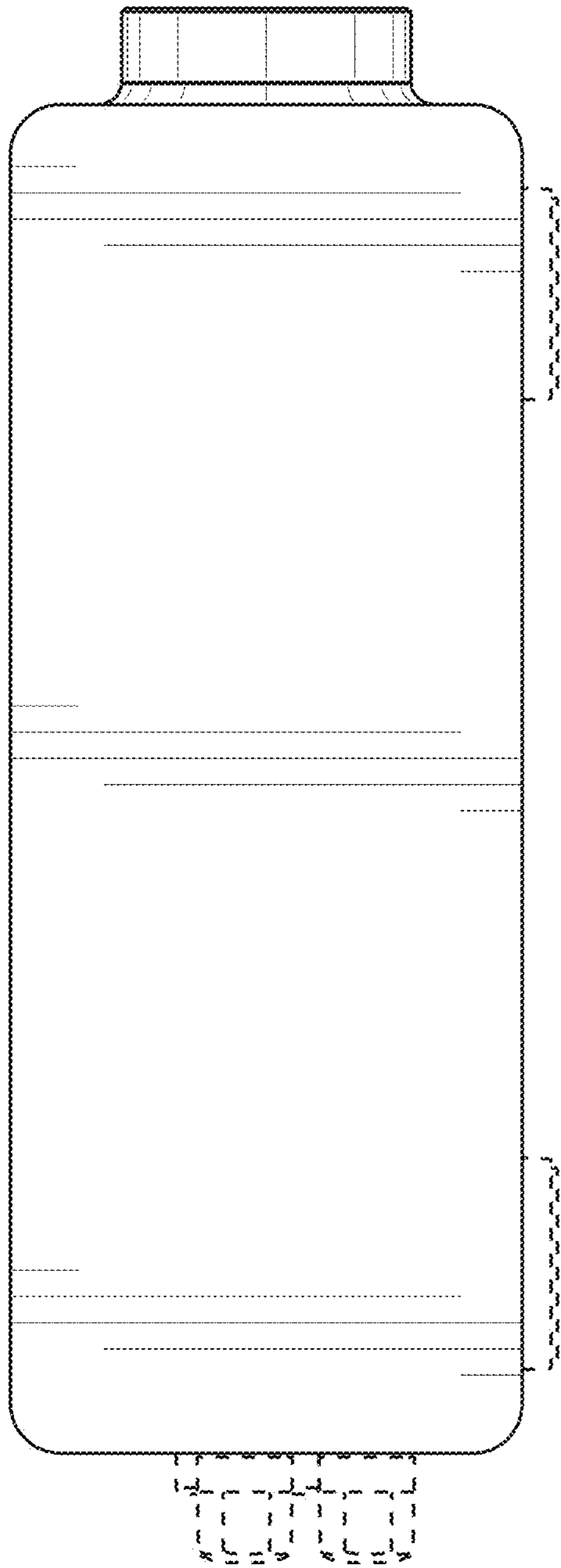
**FIG. 2**



**FIG. 3**



**FIG. 4**



**FIG. 5**

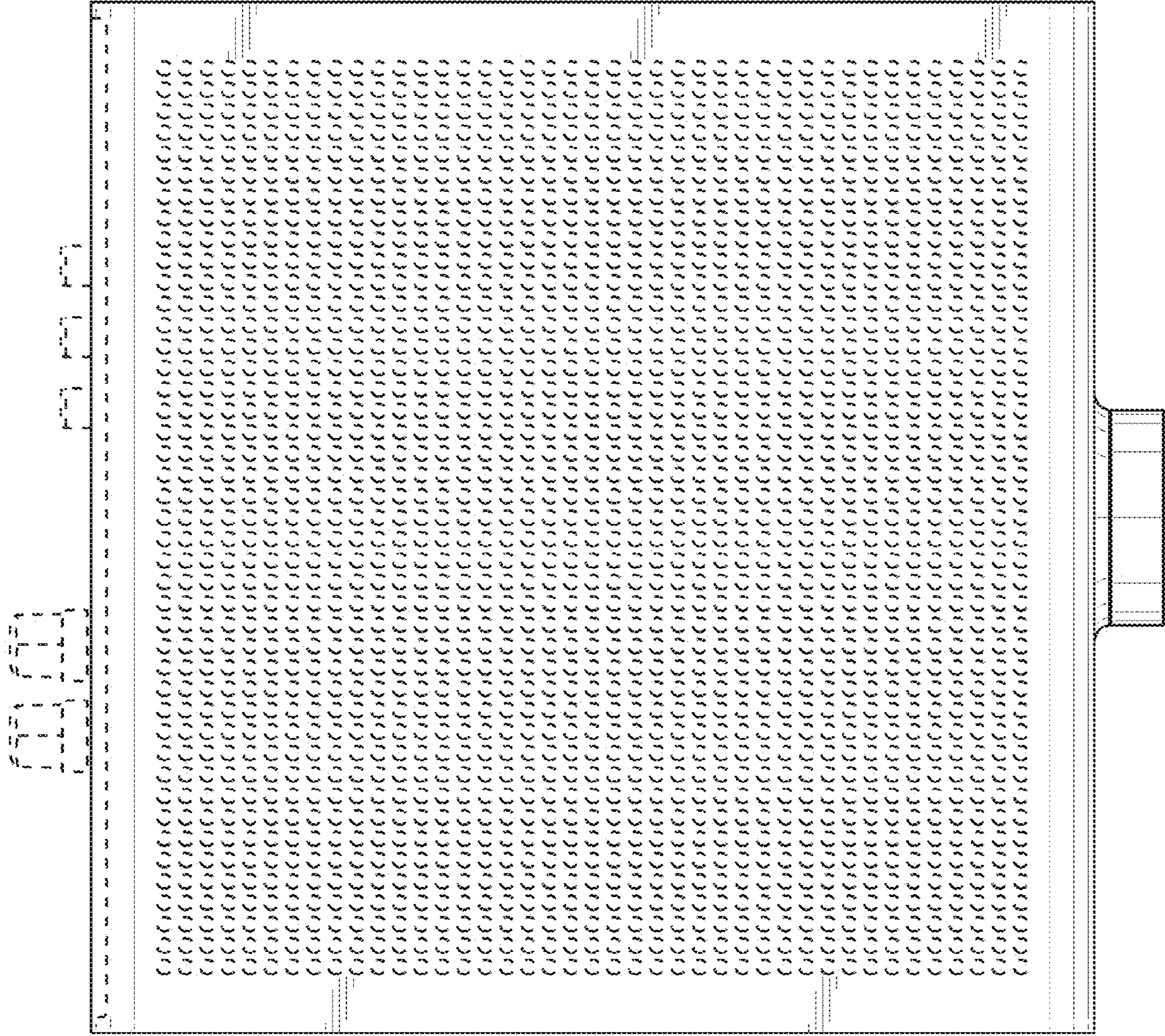


FIG. 6



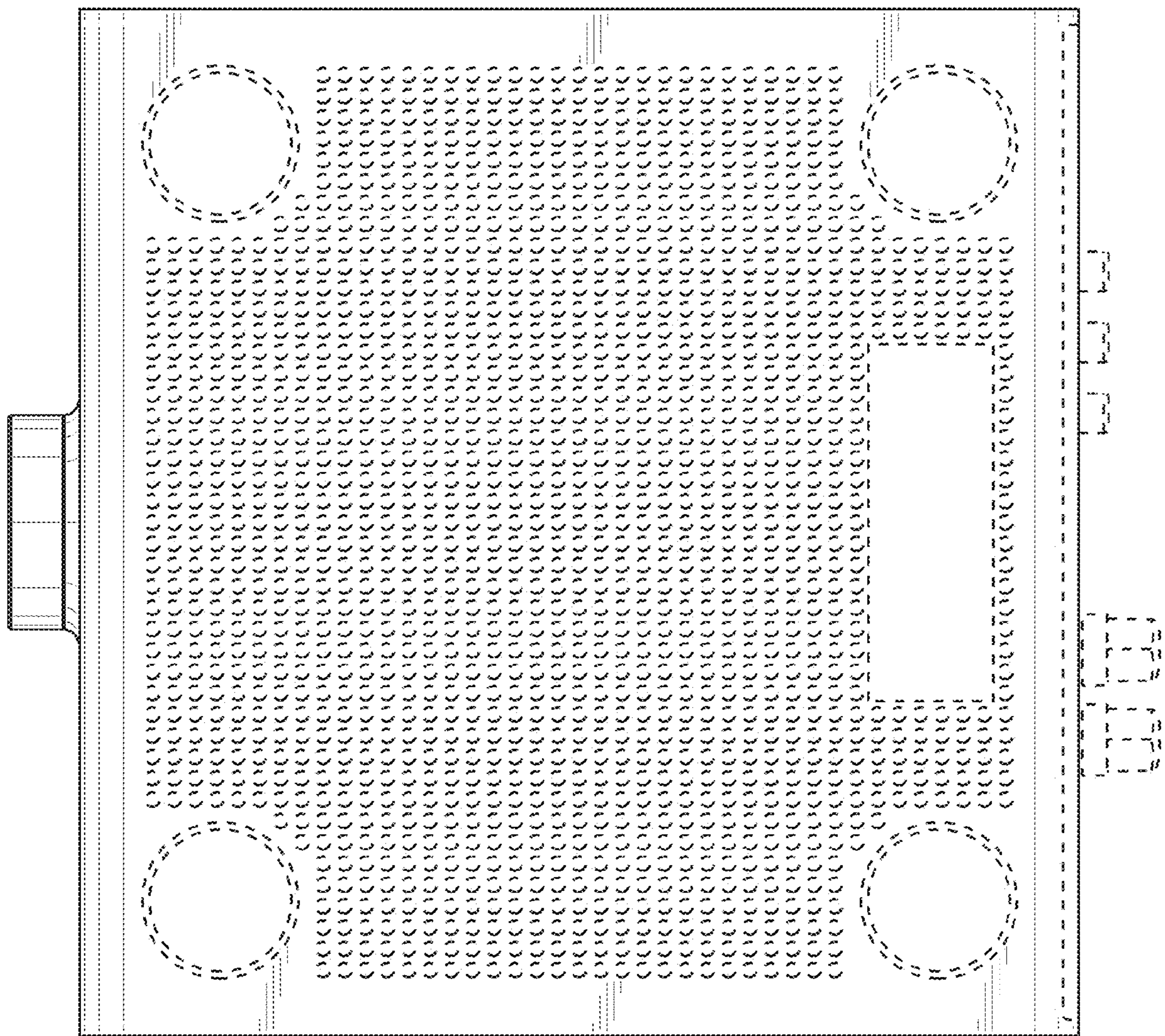
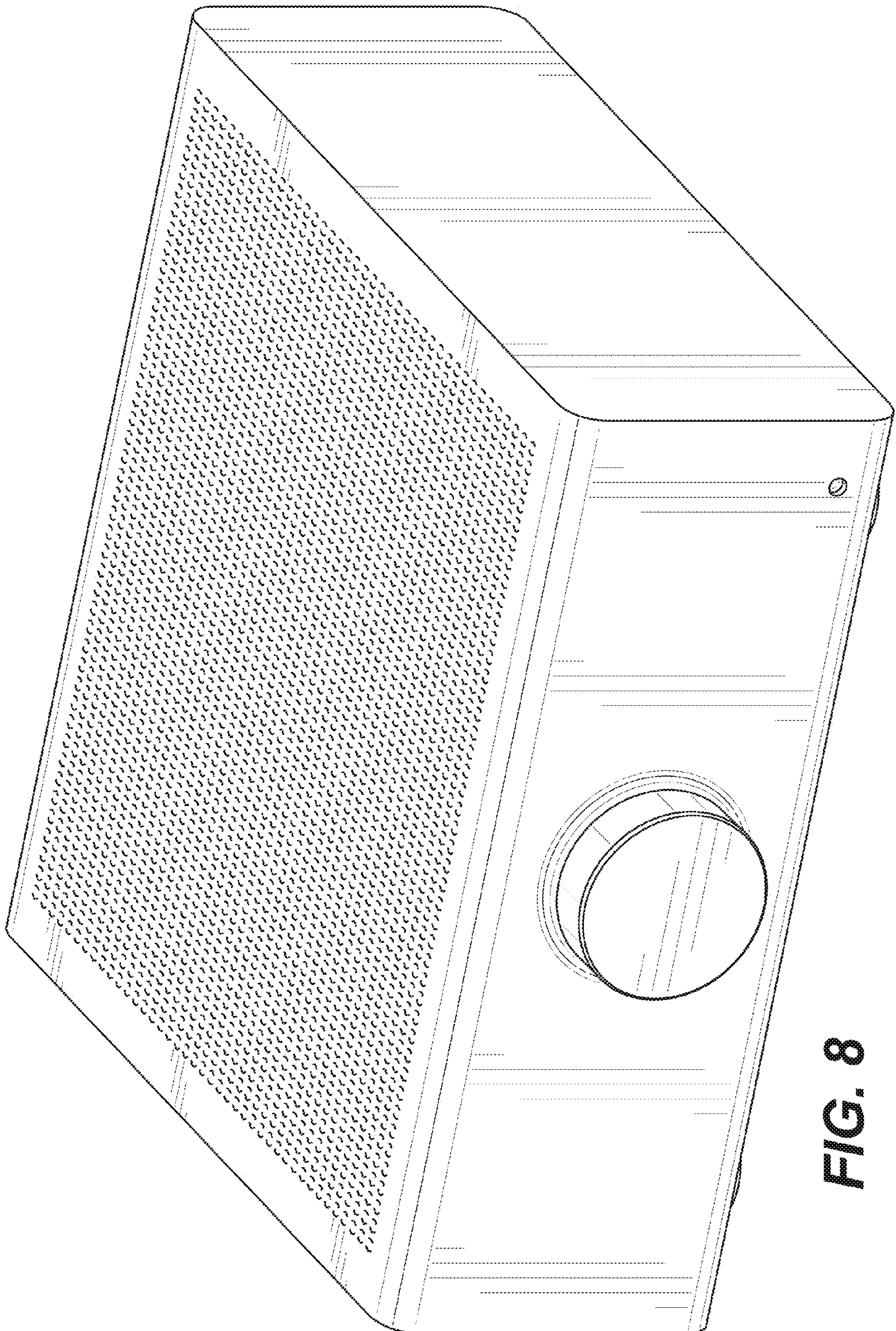
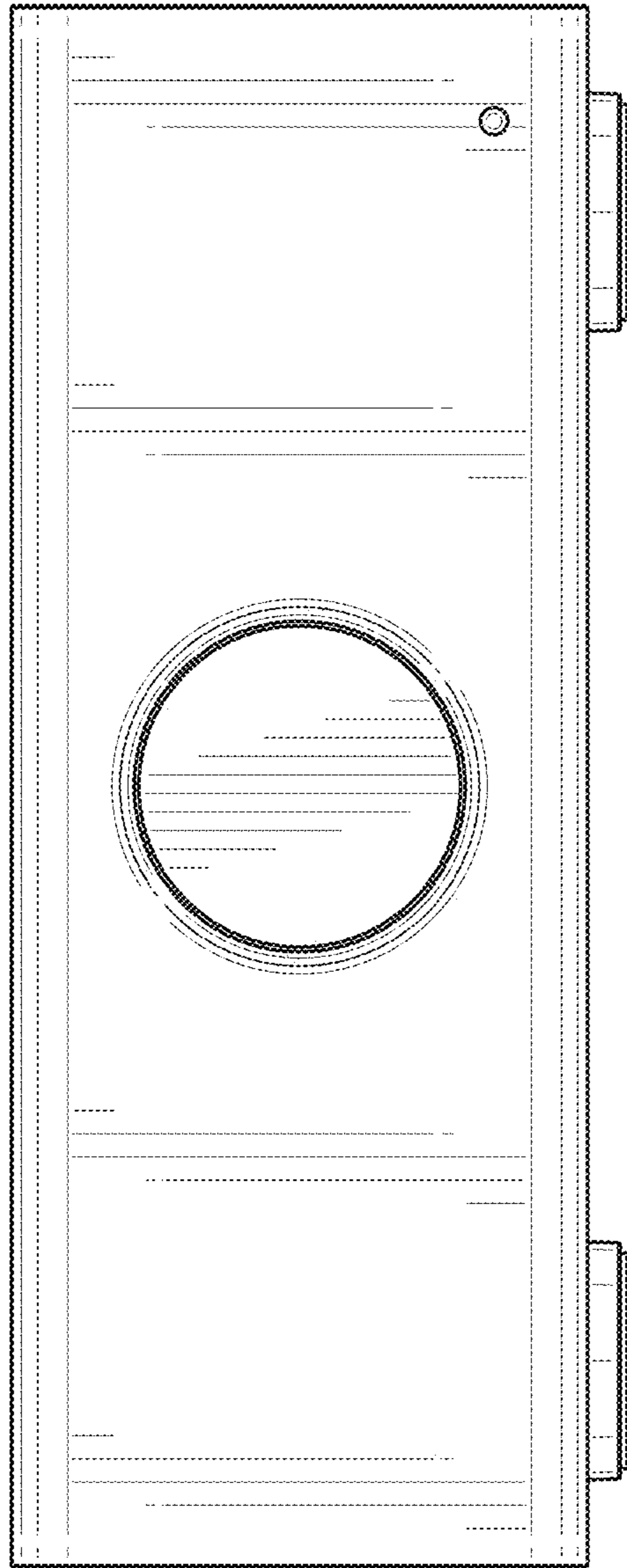


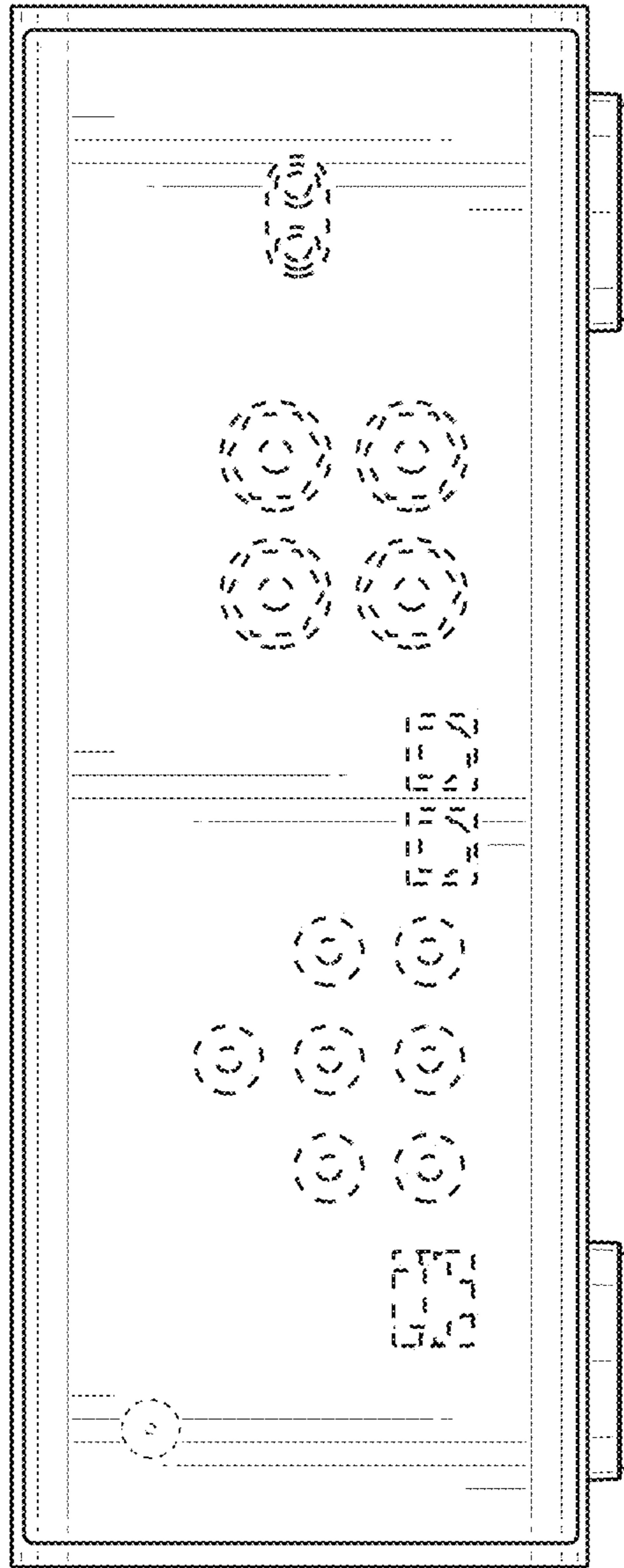
FIG. 7



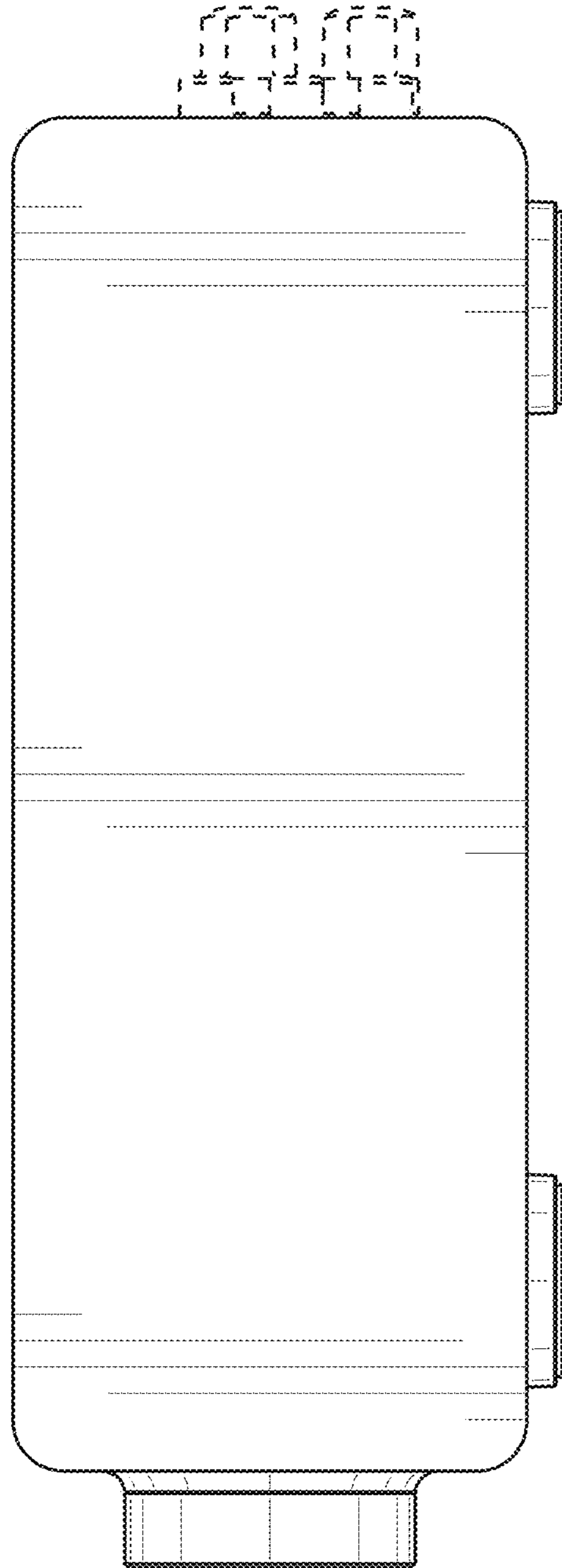
**FIG. 8**



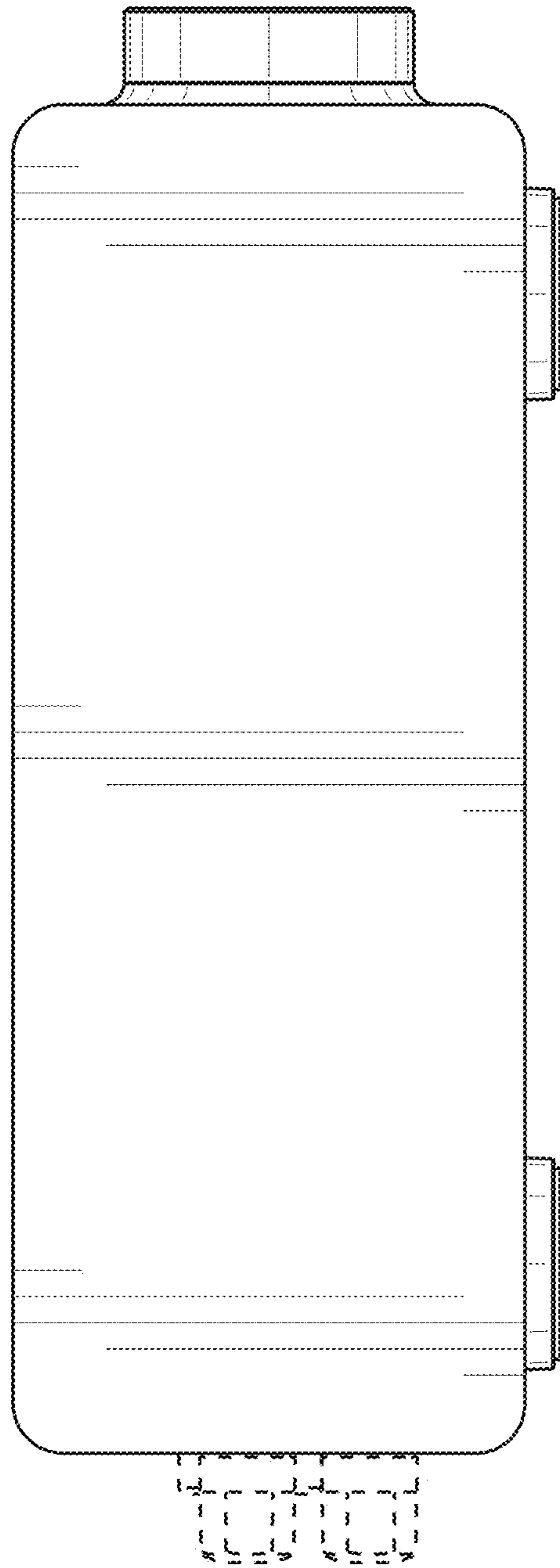
**FIG. 9**



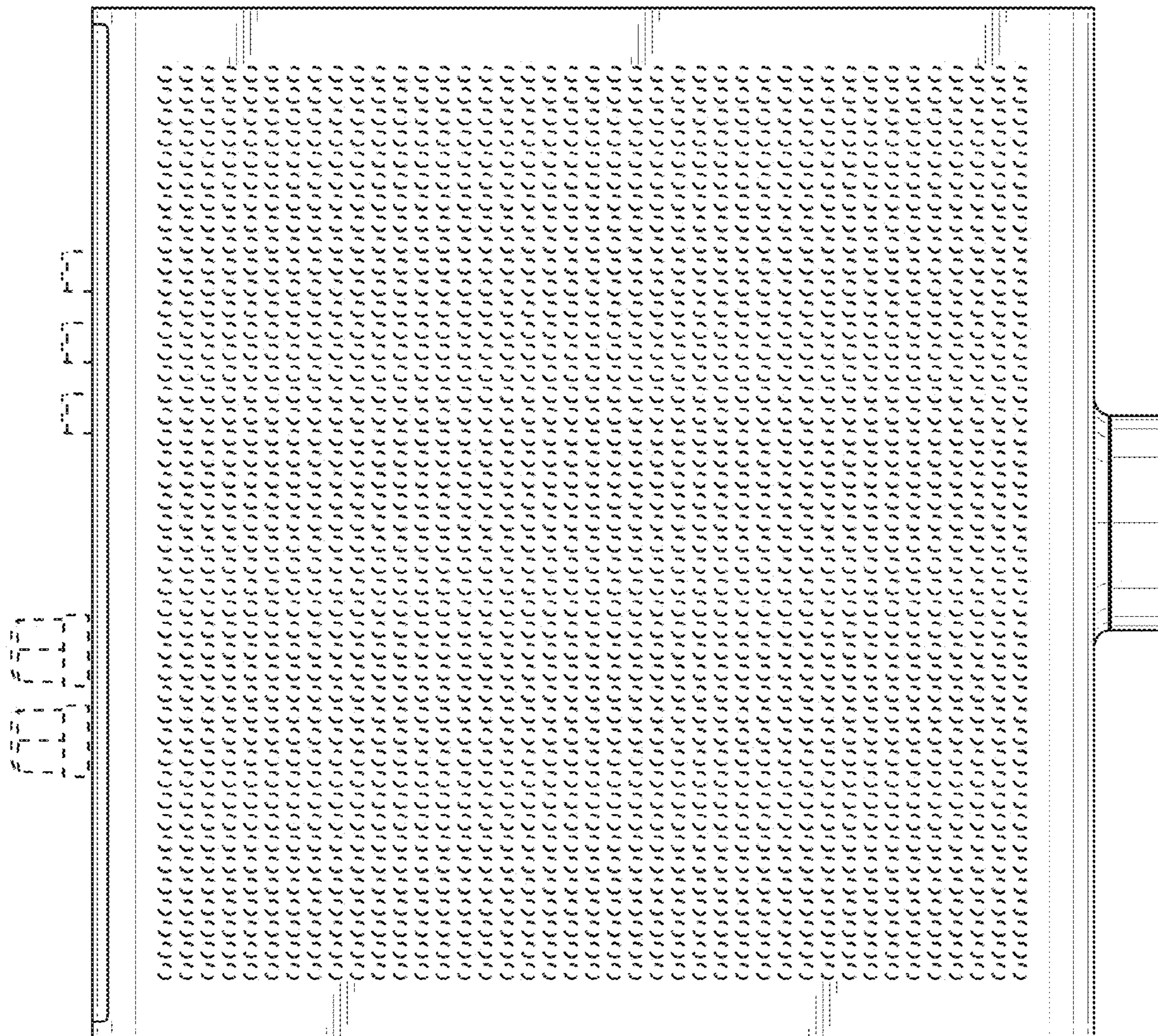
**FIG. 10**



**FIG. 11**



**FIG. 12**



**FIG. 13**

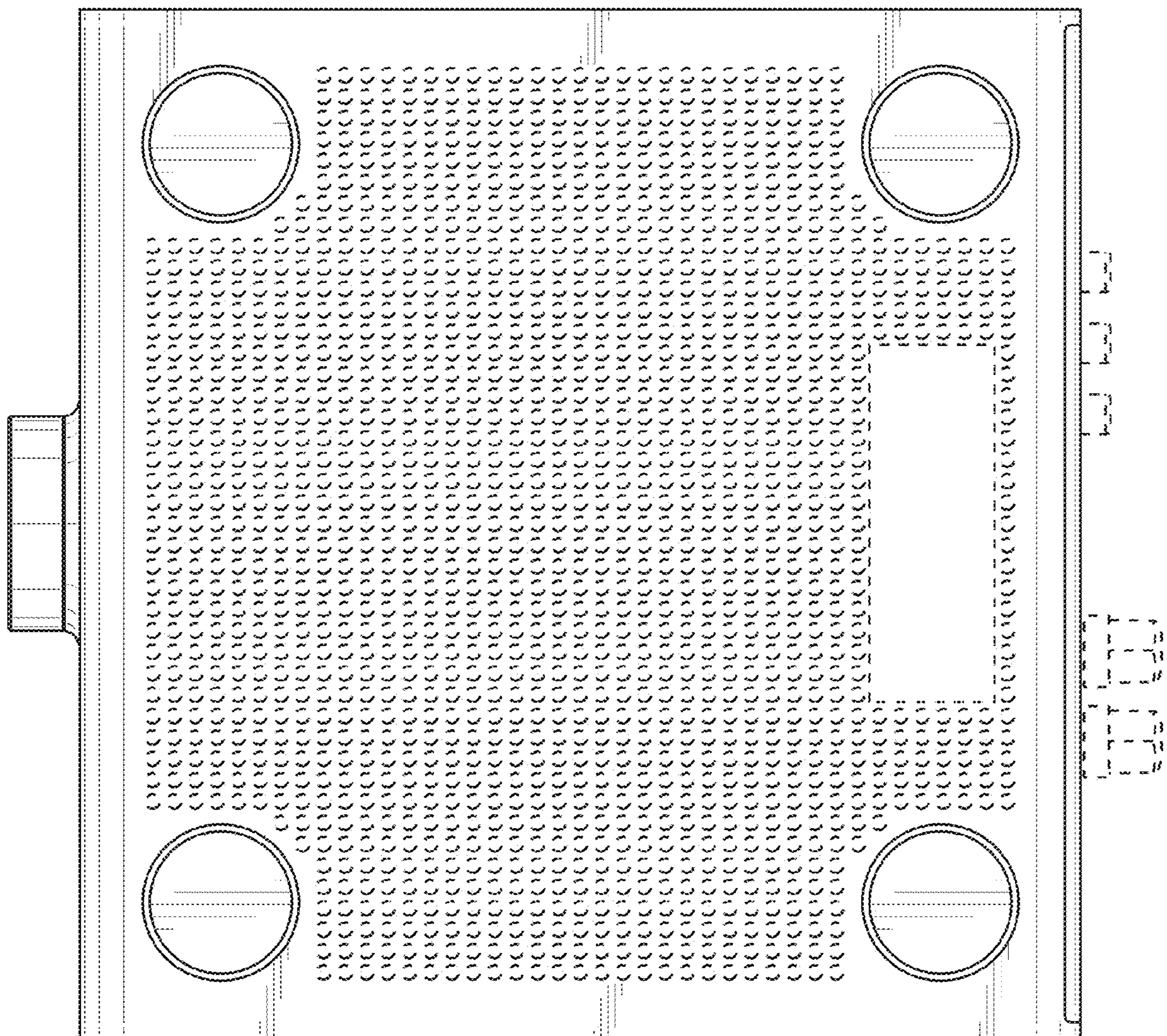


FIG. 14