



US00D881832S

(12) **United States Design Patent**
Zhang

(10) **Patent No.:** **US D881,832 S**

(45) **Date of Patent:** **** Apr. 21, 2020**

(54) **AUDIO RECEIVER TRANSMITTER**

(71) Applicant: **Qinbing Zhang**, Shanghai (CN)

(72) Inventor: **Qinbing Zhang**, Shanghai (CN)

(73) Assignee: **Shanghai Xinxie Industrial Co., Ltd**,
Shanghai (CN)

(**) Term: **15 Years**

(21) Appl. No.: **29/680,882**

(22) Filed: **Feb. 21, 2019**

(51) **LOC (12) Cl.** **14-03**

(52) **U.S. Cl.**
USPC **D14/155**

(58) **Field of Classification Search**

USPC D14/167, 154, 168, 188, 496, 156, 160,
D14/161, 162, 163, 164, 165, 158, 341,
D14/346, 342, 345, 137, 155, 218, 225;
D16/208; D26/38; 455/351, 350;
D10/104.1, 106, 65
CPC H04B 1/385; H04M 1/6091; H04M 1/6066
See application file for complete search history.

(56) **References Cited**

U.S. PATENT DOCUMENTS

D520,984 S * 5/2006 Lee D14/155
D521,487 S * 5/2006 Dayan D14/155

D522,992 S * 6/2006 Dayan D14/155
D524,285 S * 7/2006 Dayan D14/155
D538,775 S * 3/2007 Dayan D14/155
D728,508 S * 5/2015 Breines D14/155
D743,926 S * 11/2015 Liao D14/155
D795,832 S * 8/2017 Du D14/155
D796,470 S * 9/2017 Du D14/155
D800,684 S * 10/2017 Xiao D14/155
D800,685 S * 10/2017 Xiao D14/155

* cited by examiner

Primary Examiner — Austin Murphy

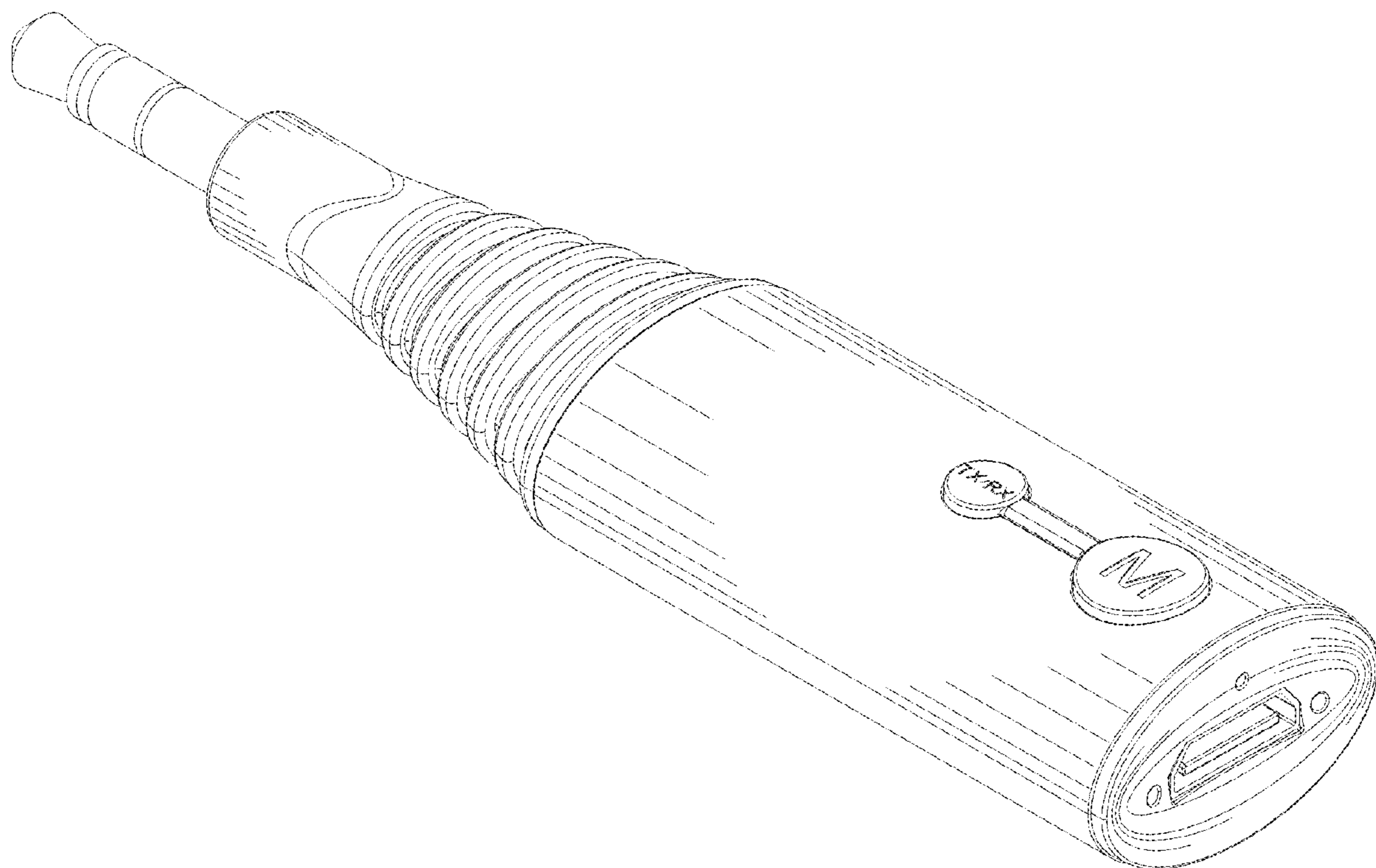
(57) **CLAIM**

The ornamental design for an audio receiver transmitter, as shown and described.

DESCRIPTION

FIG. 1 is a top, front perspective view of the audio receiver transmitter showing my new design;
FIG. 2 is a rear perspective view thereof;
FIG. 3 is a front elevational view thereof;
FIG. 4 is a rear elevational view thereof;
FIG. 5 is a left side elevational view thereof;
FIG. 6 is a right side elevational view thereof;
FIG. 7 is a top plan view thereof;
FIG. 8 is a bottom plan view thereof; and,
FIG. 9 is a front perspective view thereof, showing the audio receiver transmitter in alternate position.

1 Claim, 8 Drawing Sheets



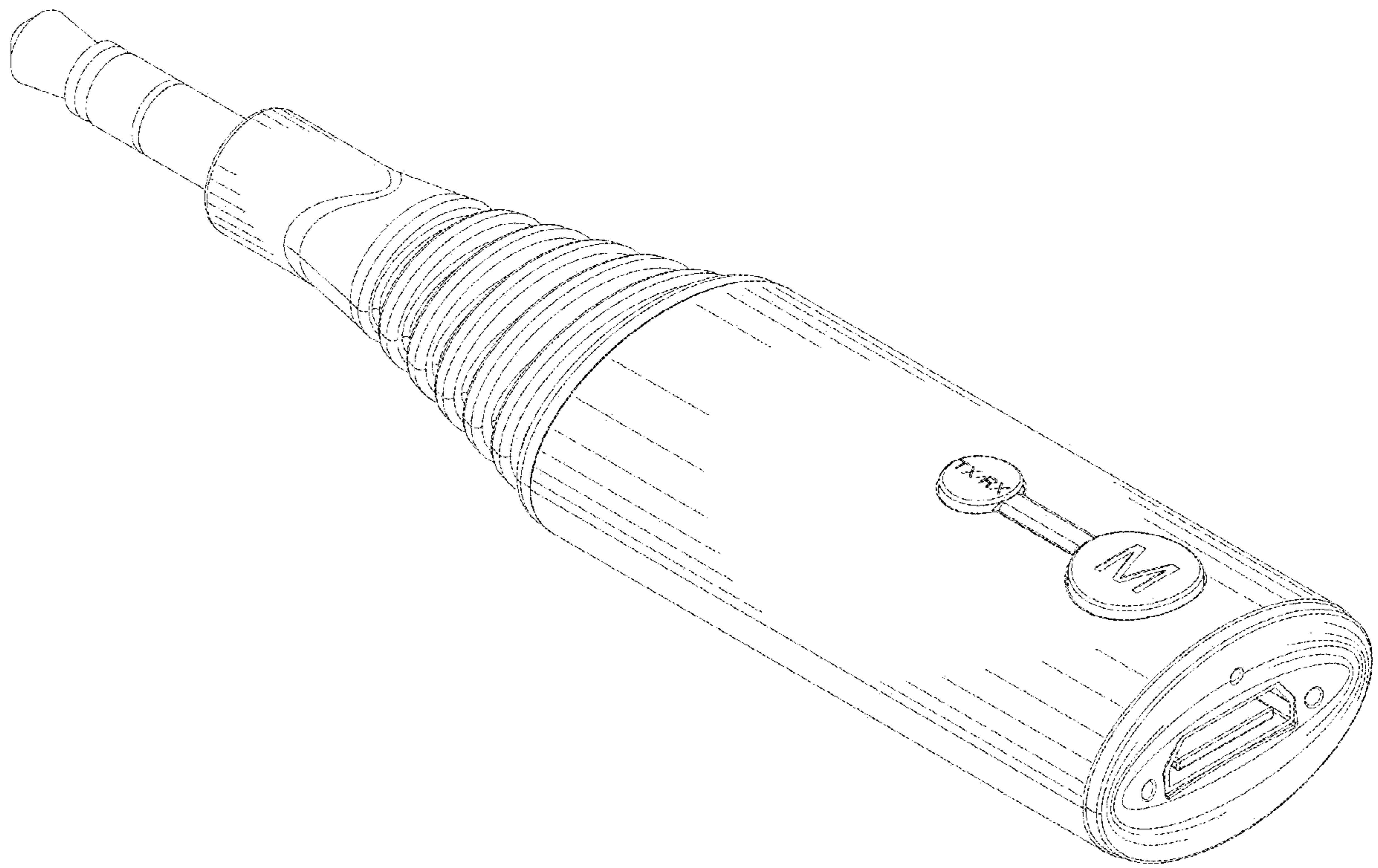


FIG.1

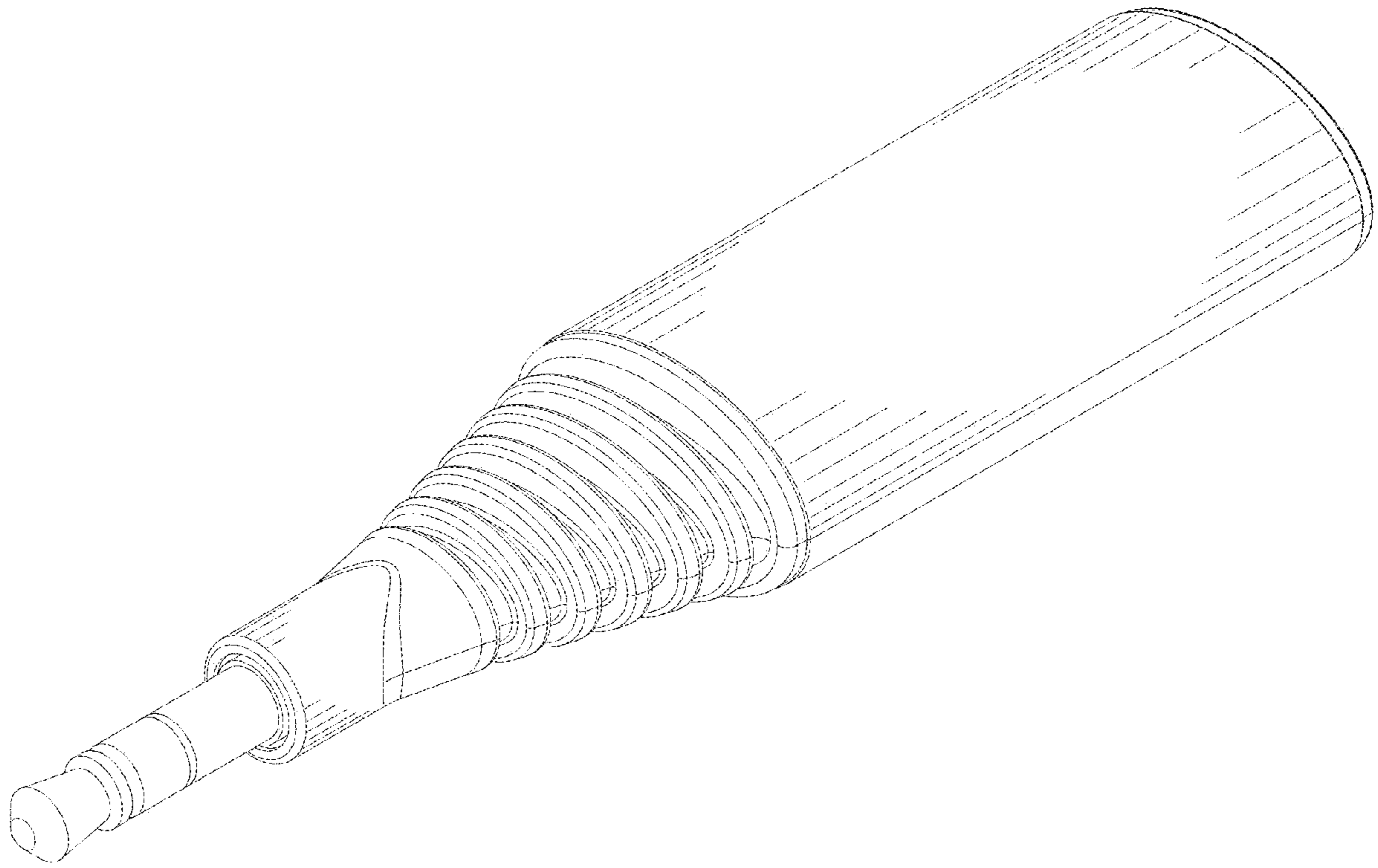


FIG.2

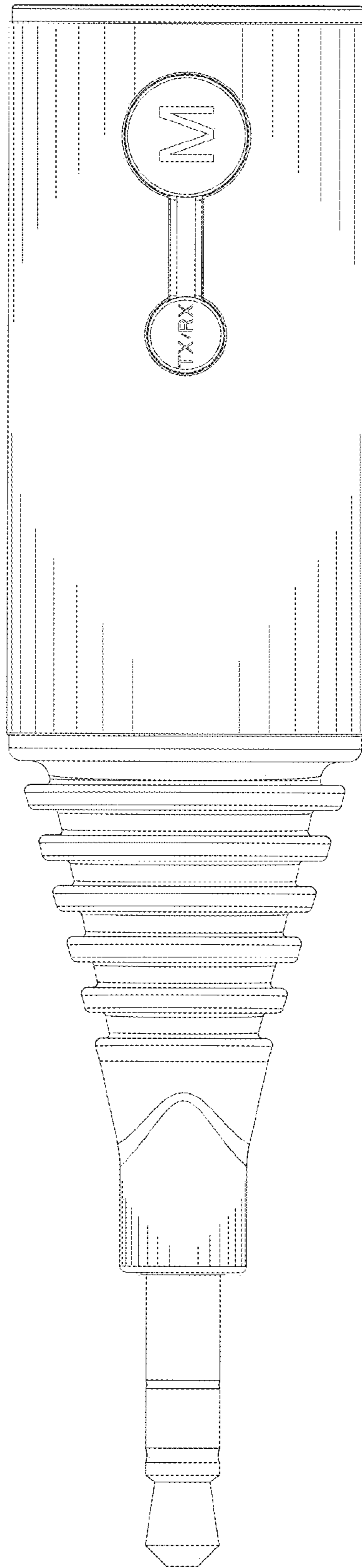


FIG.3

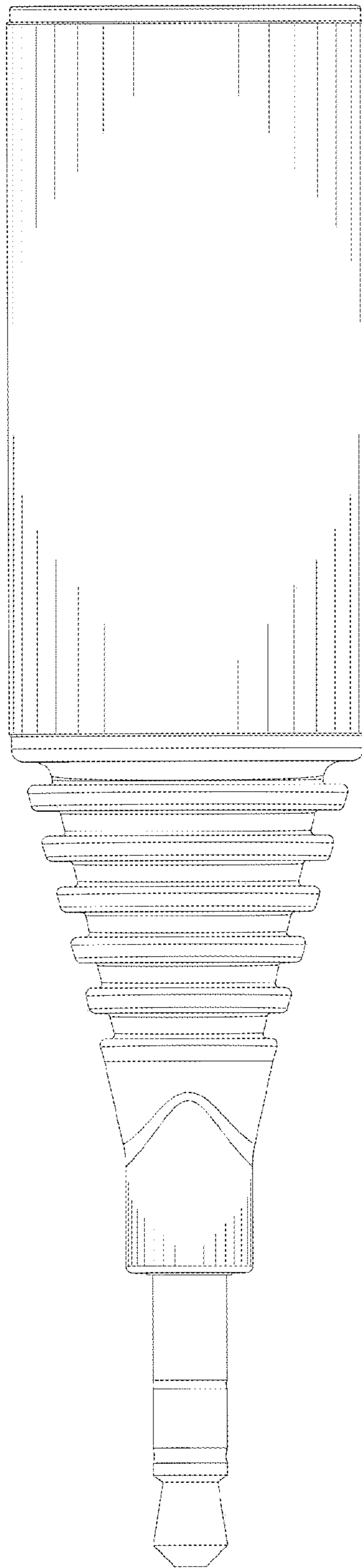


FIG.4

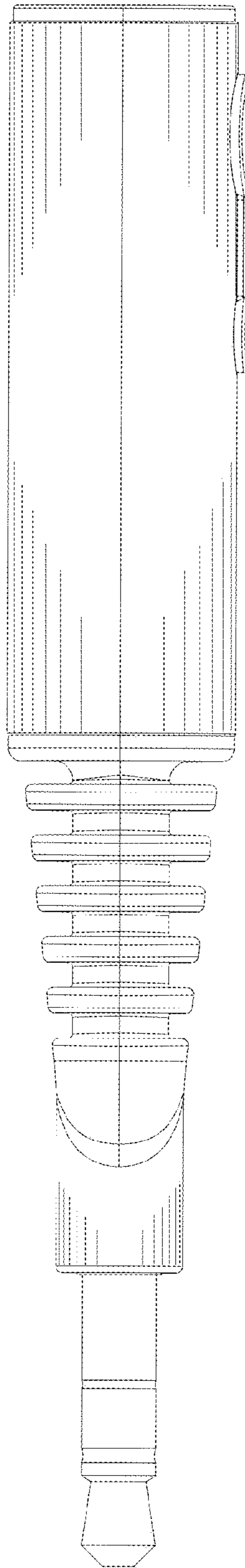


FIG.5

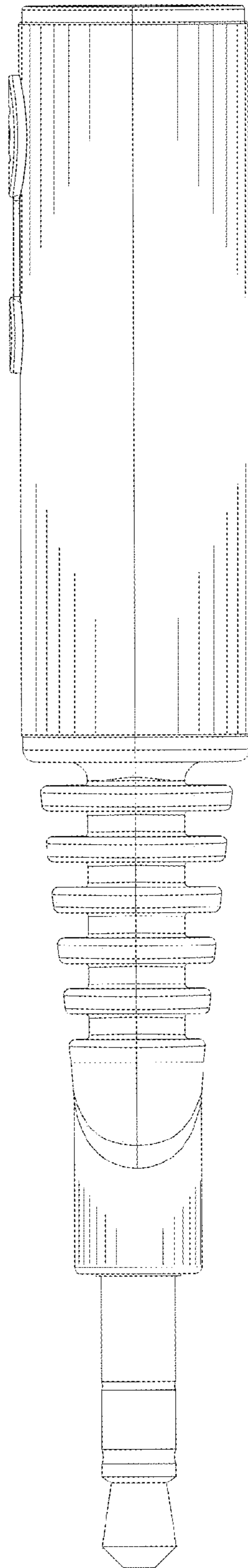


FIG.6

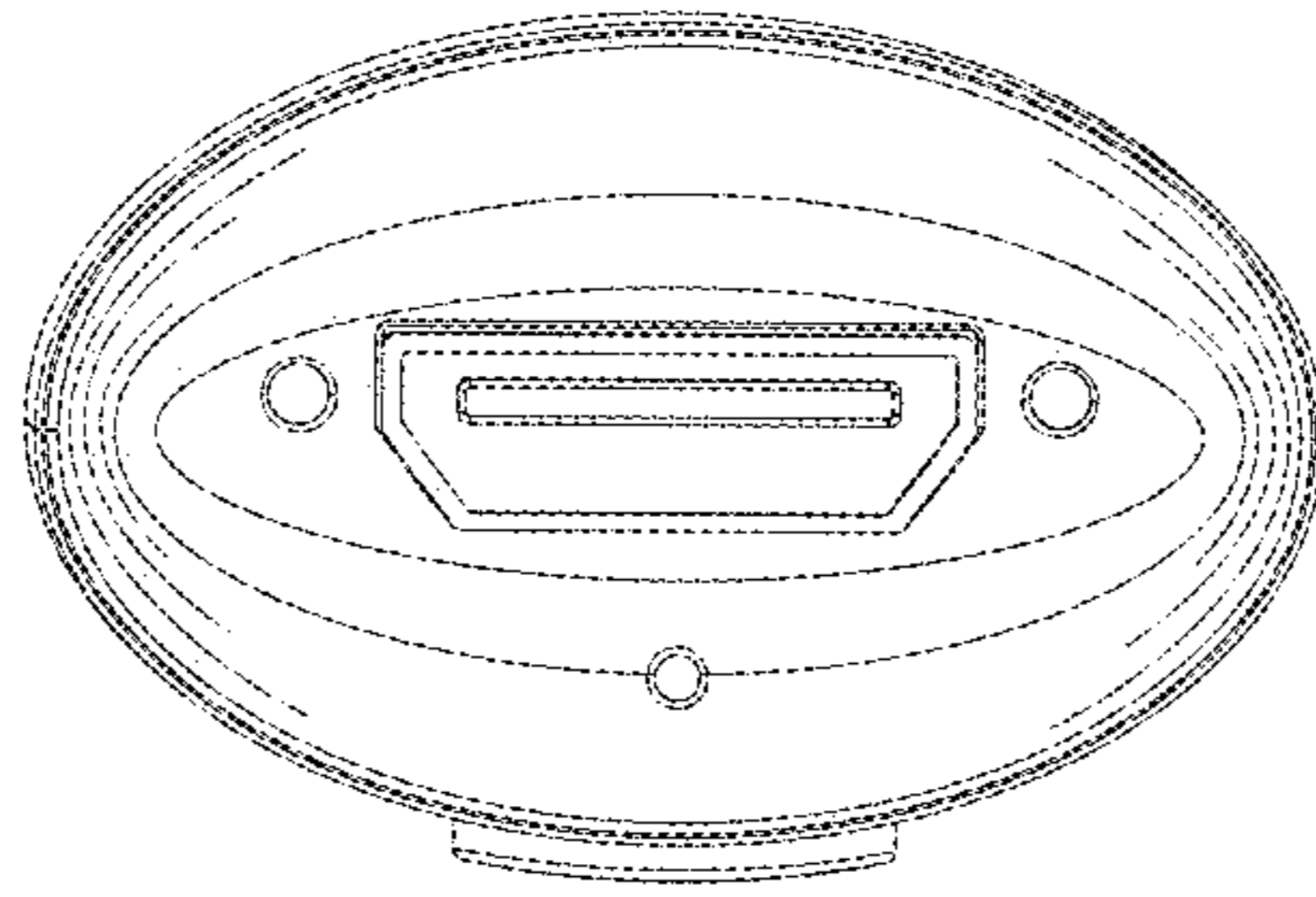


FIG. 7

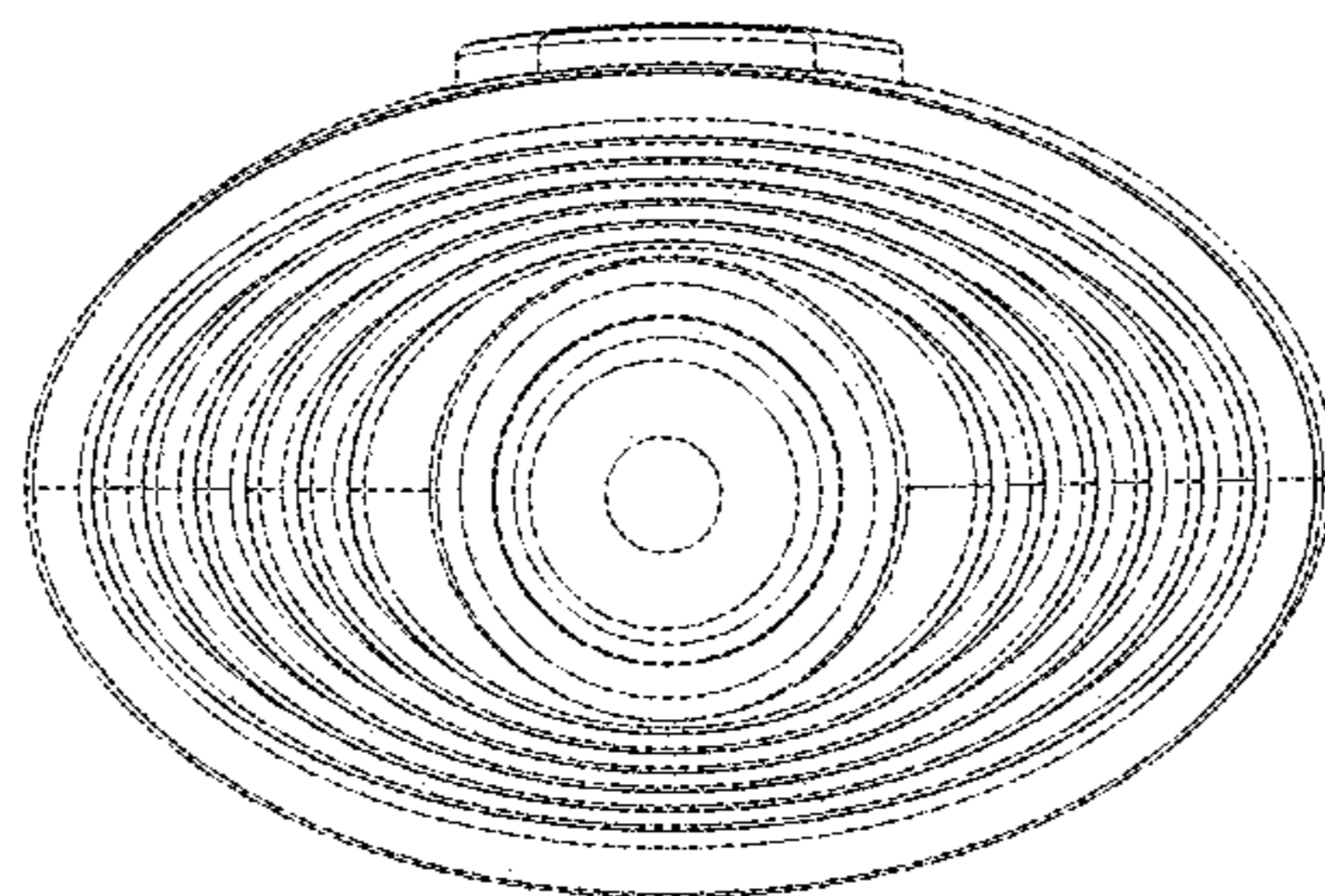


FIG. 8

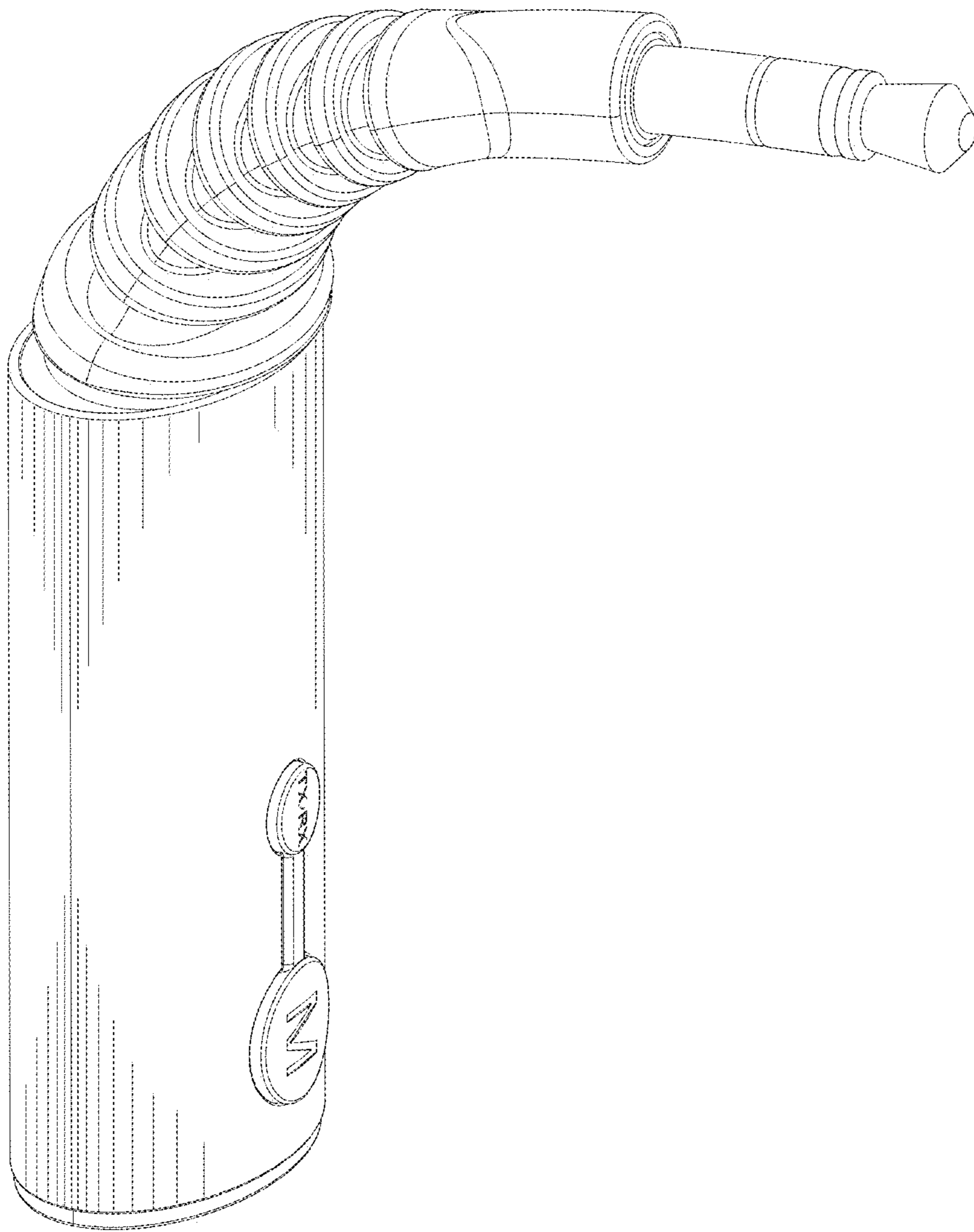


FIG.9