



US00D881828S

(12) **United States Design Patent**  
**Zhang et al.**

(10) **Patent No.:** **US D881,828 S**  
(45) **Date of Patent:** **\*\* Apr. 21, 2020**

- (54) **MAGNETIC ADAPTER SET**
- (71) Applicant: **Dongguan Luo Lian Electronic Technology Co., Ltd.**, Dongguan, Guangdong (CN)
- (72) Inventors: **Hui Zhang**, Guangdong (CN); **Siyi Fang**, Guangdong (CN)
- (73) Assignee: **Dongguan Luo Lian Electronic Technology Co., Ltd.**, Dongguan (CN)
- (\*\*) Term: **15 Years**
- (21) Appl. No.: **29/643,694**
- (22) Filed: **Apr. 11, 2018**
- (51) **LOC (12) Cl.** ..... **13-99**
- (52) **U.S. Cl.**  
USPC ..... **D13/183; D15/138**
- (58) **Field of Classification Search**  
USPC ..... D13/183, 133, 154, 184, 199; D15/199, D15/138; D8/16, 373; D19/75, 96, 97, D19/100  
CPC ..... H01R 13/64; H01R 13/6205; H01R 31/06  
See application file for complete search history.

- D803,804 S \* 11/2017 Kott ..... D13/183
- 9,924,897 B1 \* 3/2018 Abdul-Hafiz ..... A61B 5/14552
- D833,069 S \* 11/2018 Broides ..... D28/18
- 2019/0246724 A1 \* 8/2019 Adams ..... A41F 1/002

\* cited by examiner

*Primary Examiner* — Patricia A Palasik  
(74) *Attorney, Agent, or Firm* — Minder Law Group; Willy H. Wong

(57) **CLAIM**

The ornamental design for a magnetic adapter set, as shown and described.

**DESCRIPTION**

FIG. 1 is a perspective view of a magnetic adapter set in accordance with the present invention.

FIG. 2 is a perspective view of a first connector of the magnetic adapter set in accordance with the present invention shown removed for clarity of disclosure.

FIG. 3 is a front view of the first connector.

FIG. 4 is a back view of the first connector.

FIG. 5 is a left view of the first connector.

FIG. 6 is a right view of the first connector.

FIG. 7 is a top view of the first connector.

FIG. 8 is a bottom view of the first connector.

FIG. 9 is a perspective view of a second connector of the magnetic adapter set in accordance with the present invention shown removed for clarity of disclosure.

FIG. 10 is another perspective view of the second connector.

FIG. 11 is a front view of the second connector.

FIG. 12 is a back view of the second connector.

FIG. 13 is a left view of the second connector.

FIG. 14 is a right view of the second connector.

FIG. 15 is a top view of the second connector; and, FIG. 16 is a bottom view of the second connector.

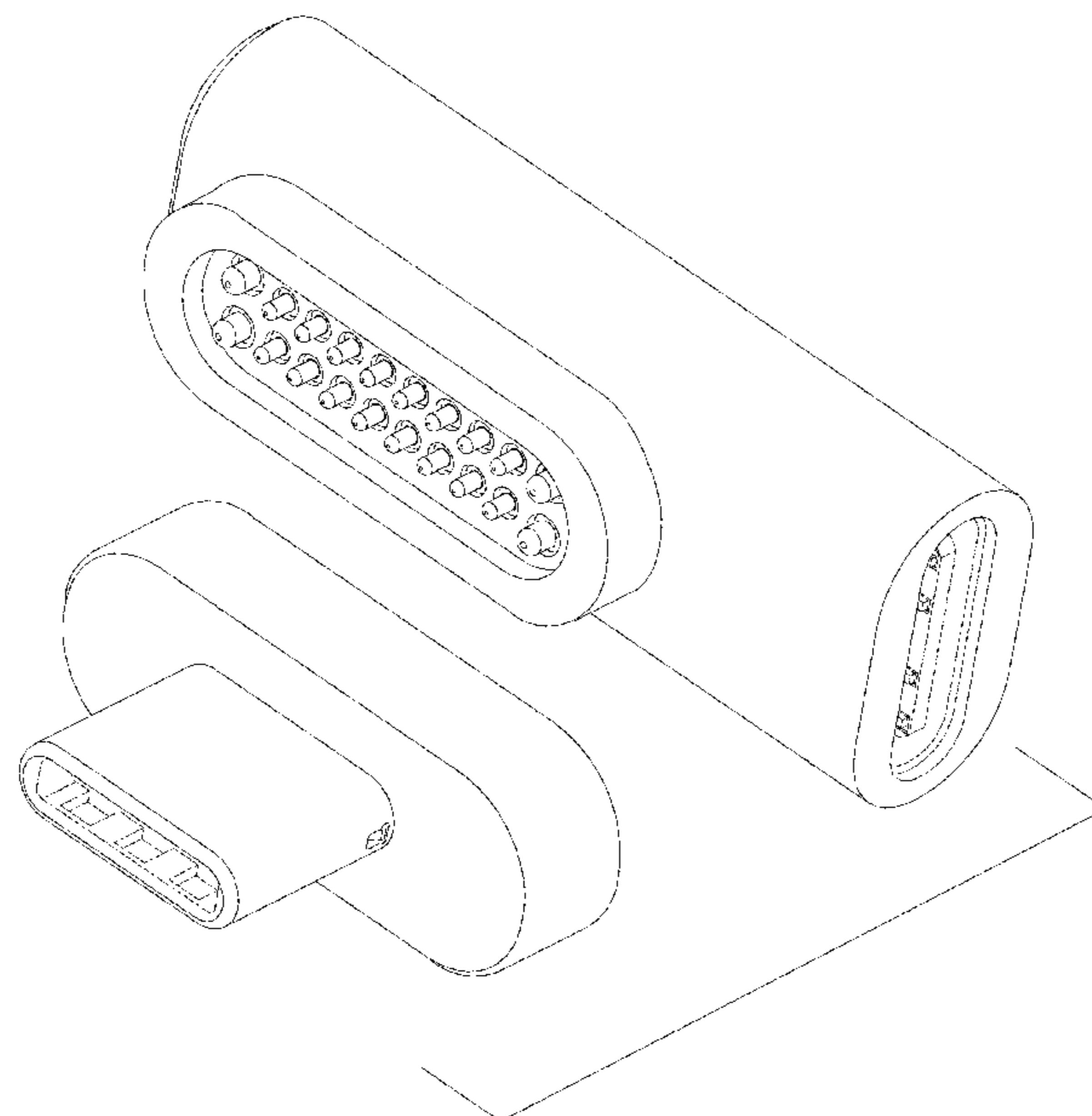
The broken lines show portions of the invention that form no part of the claimed design.

(56) **References Cited**

**U.S. PATENT DOCUMENTS**

- 3,363,209 A \* 1/1968 Pevar ..... G01R 33/12 335/286
- 5,401,175 A \* 3/1995 Guimond ..... H01R 13/6205 439/38
- D363,989 S \* 11/1995 Crouse ..... D24/187
- D614,305 S \* 4/2010 Al-Ali ..... D24/187
- 8,562,378 B2 \* 10/2013 Su ..... H01R 13/6581 439/607.55
- D788,312 S \* 5/2017 Al-Ali ..... A61B 5/002 D24/186
- D802,547 S \* 11/2017 Kott ..... D13/183

**1 Claim, 16 Drawing Sheets**



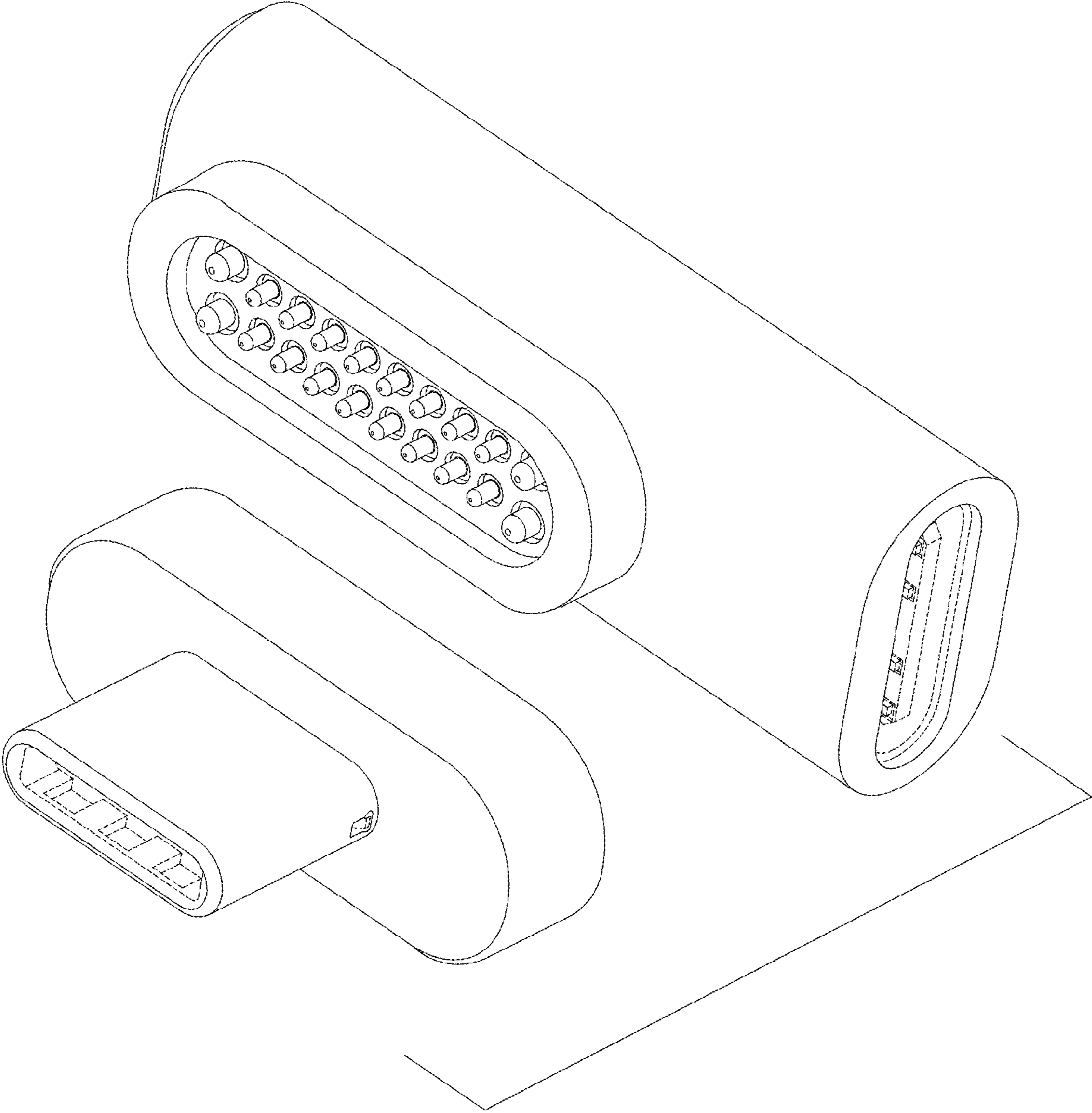


FIG. 1

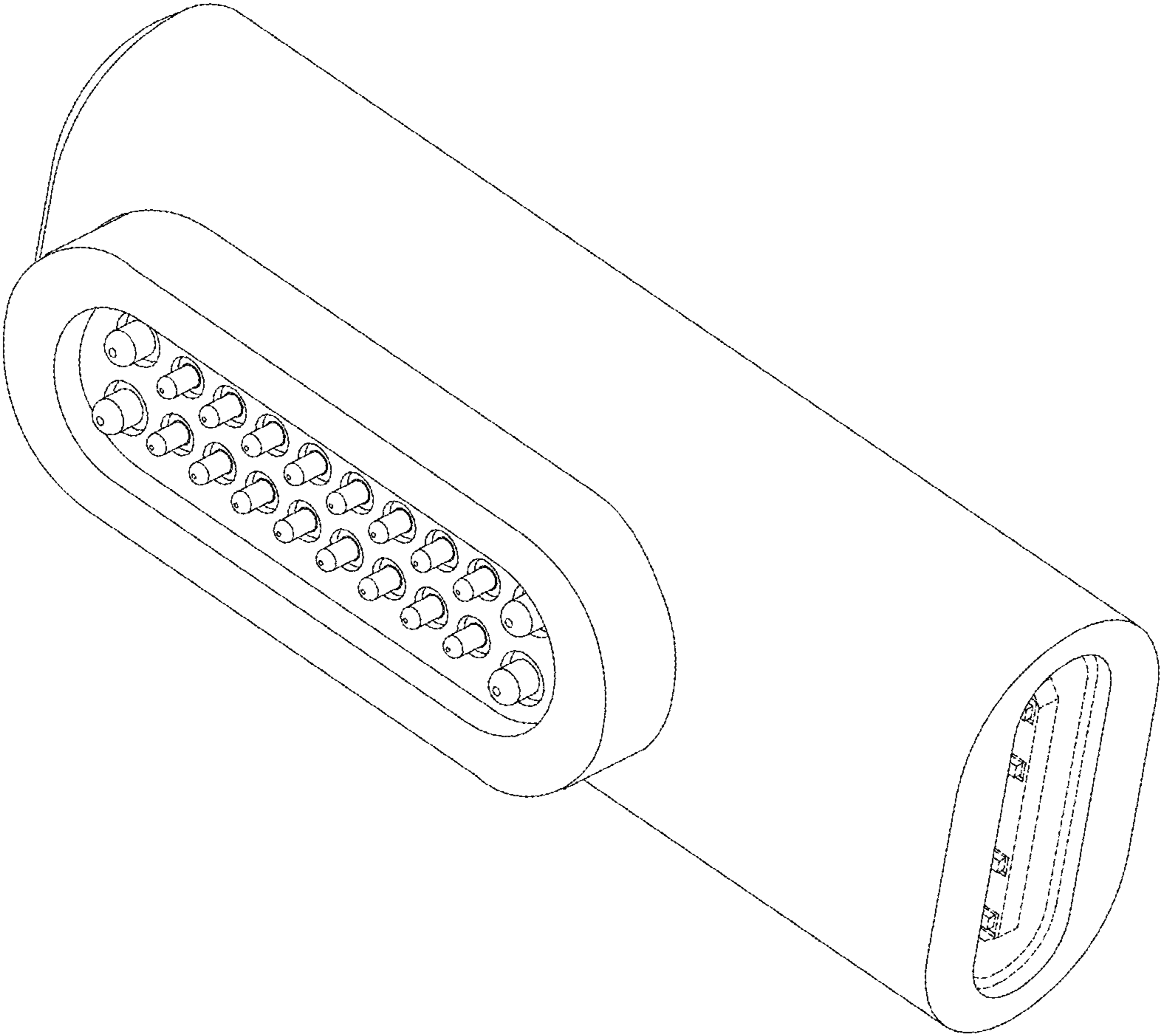


FIG. 2

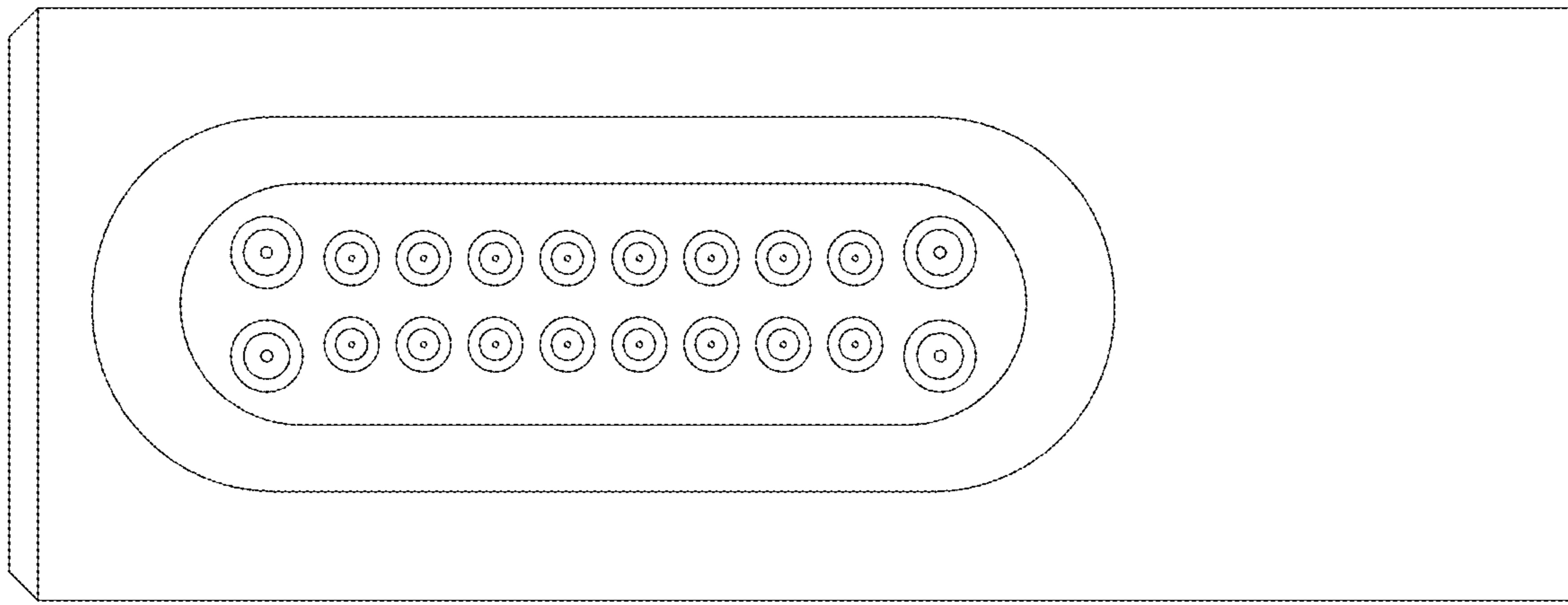


FIG. 3

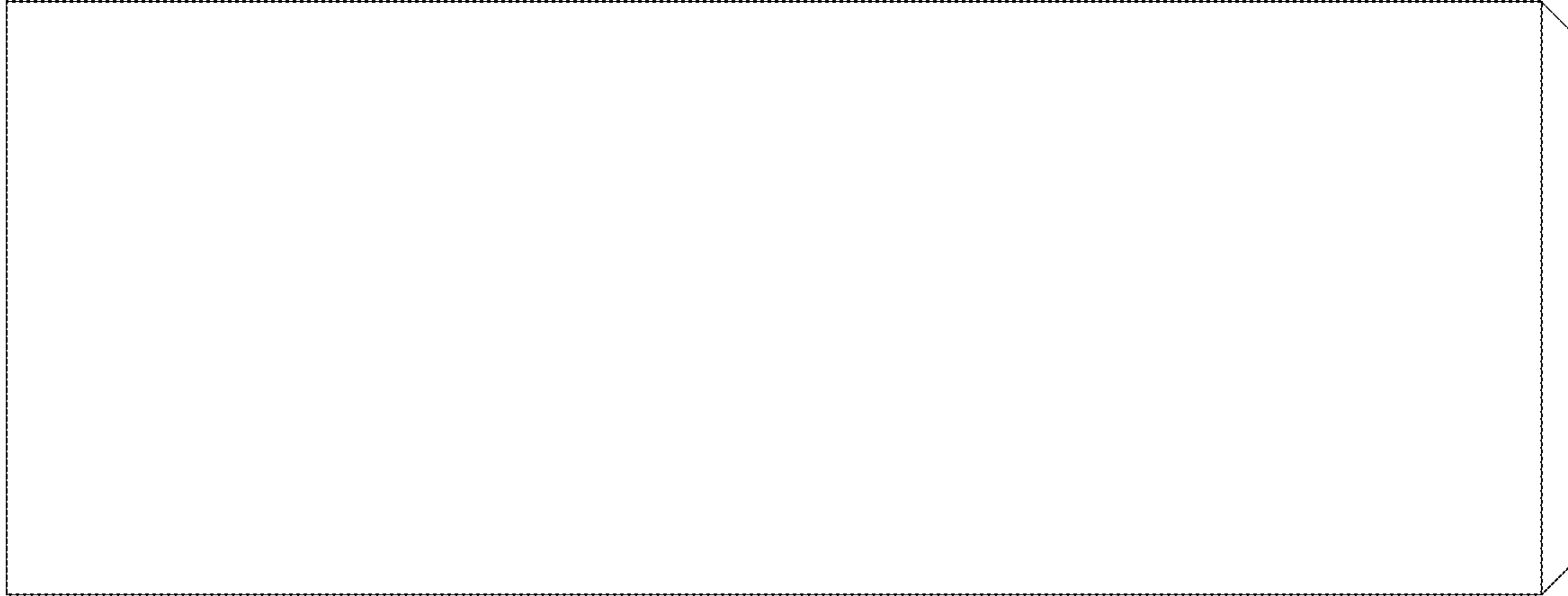


FIG. 4

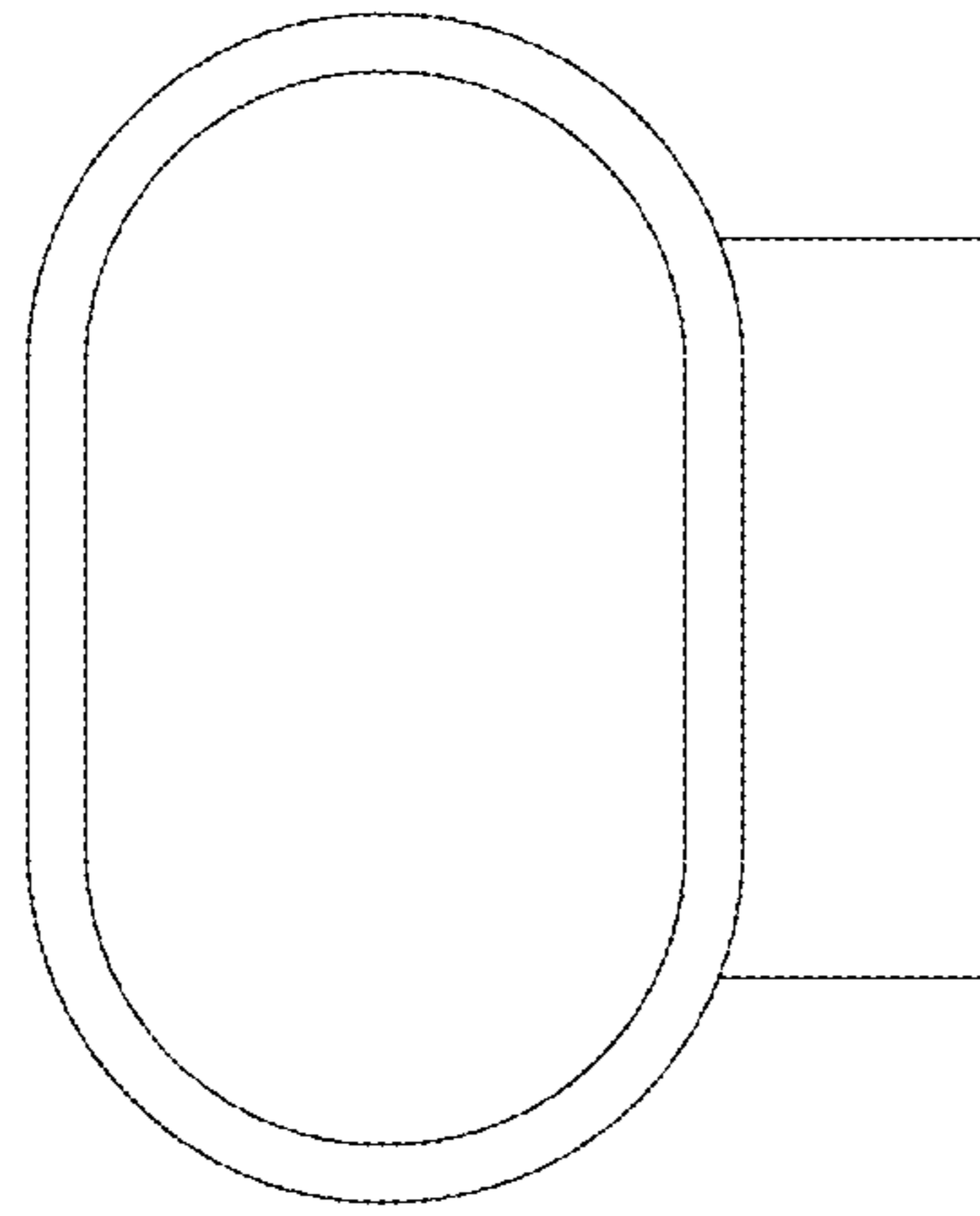


FIG. 5

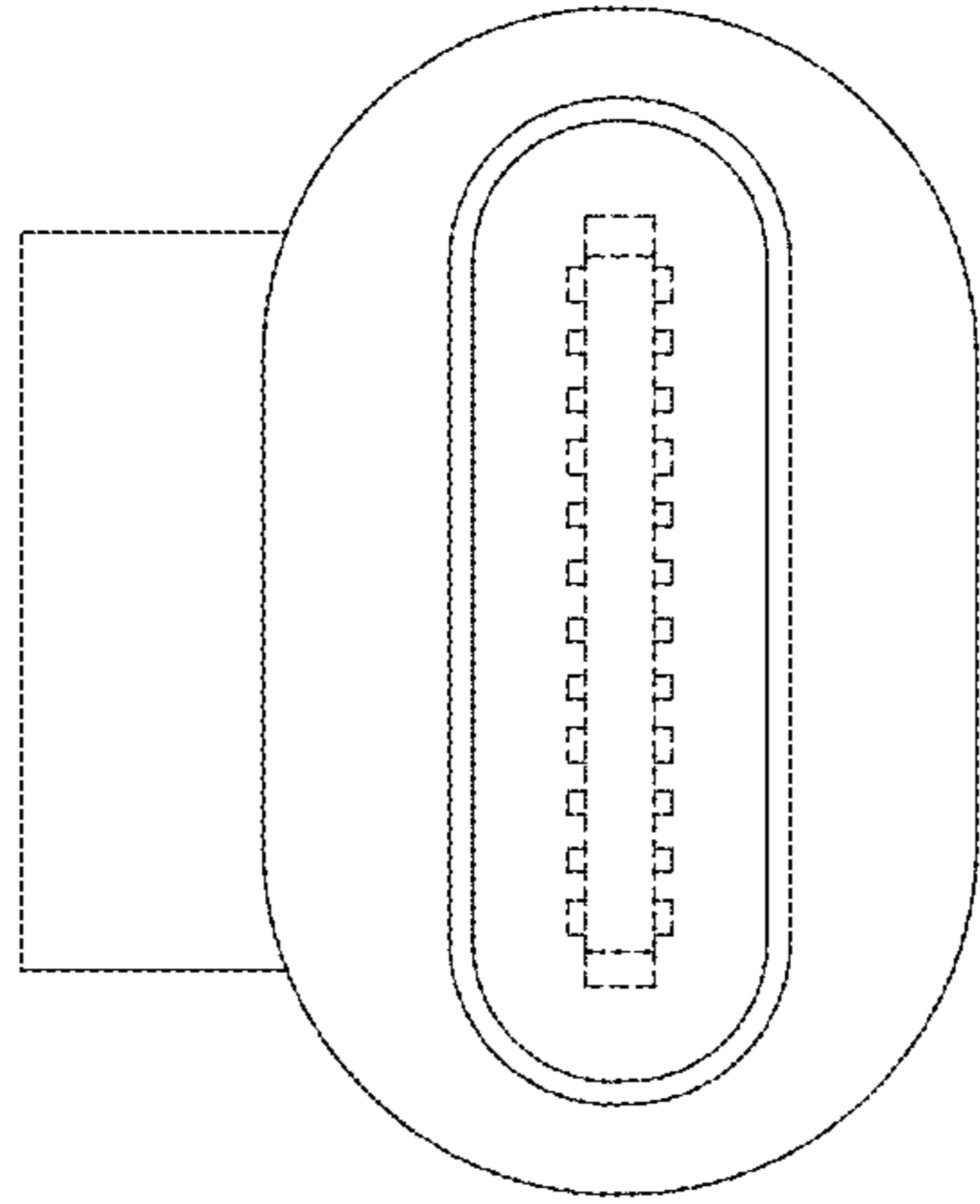


FIG. 6

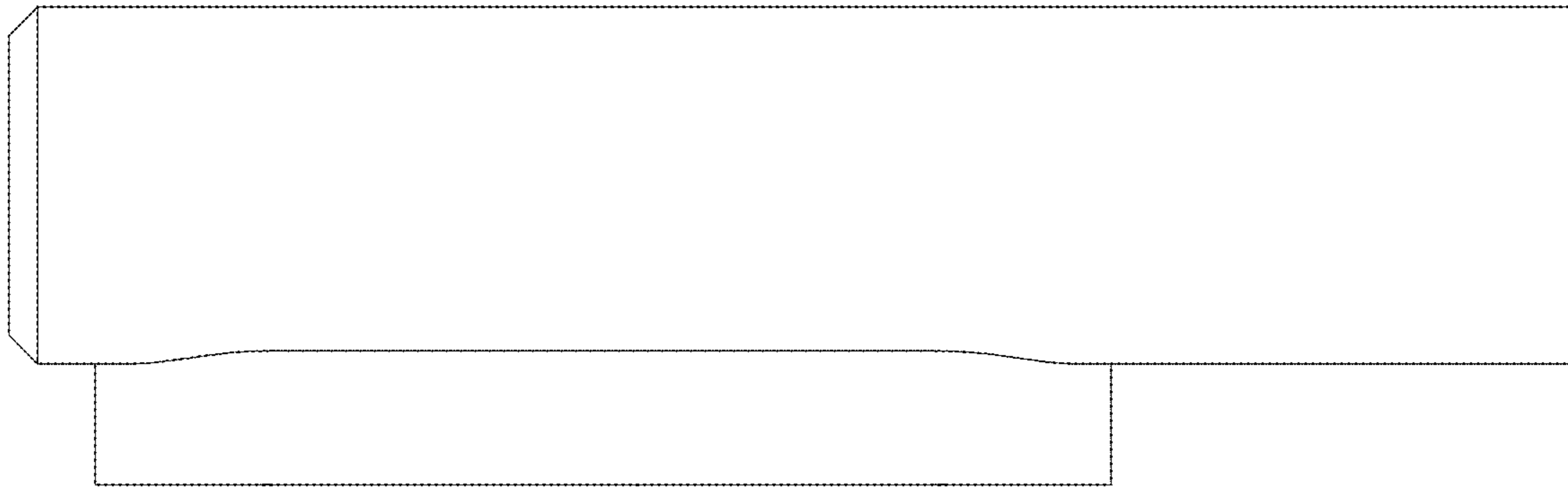


FIG. 7



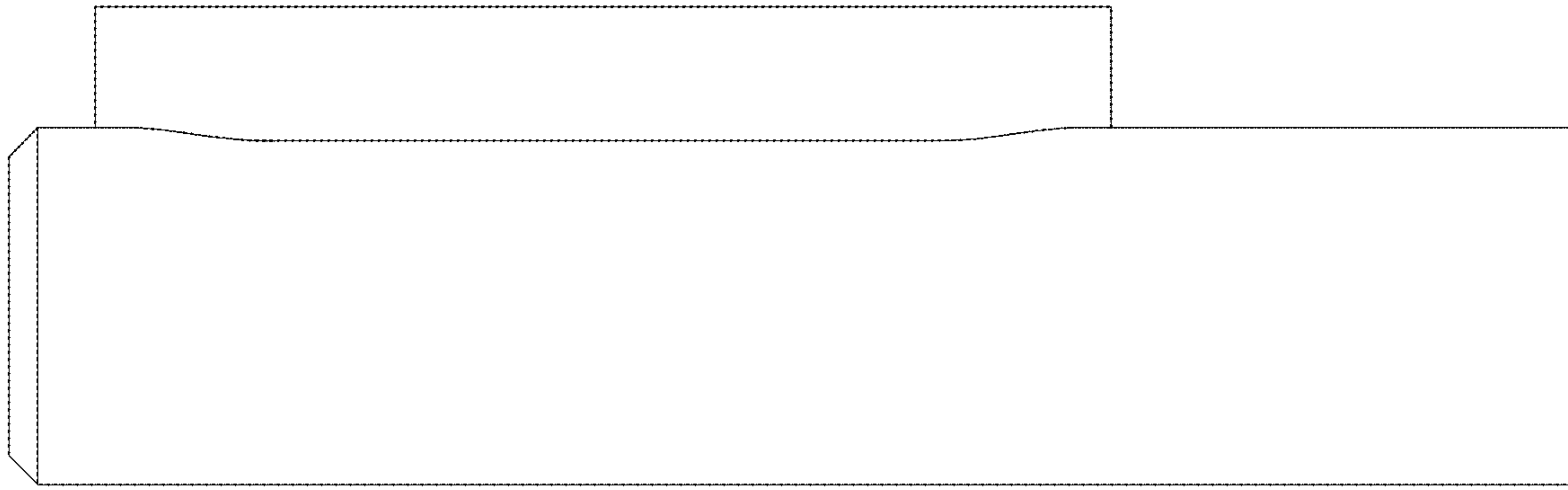


FIG. 8

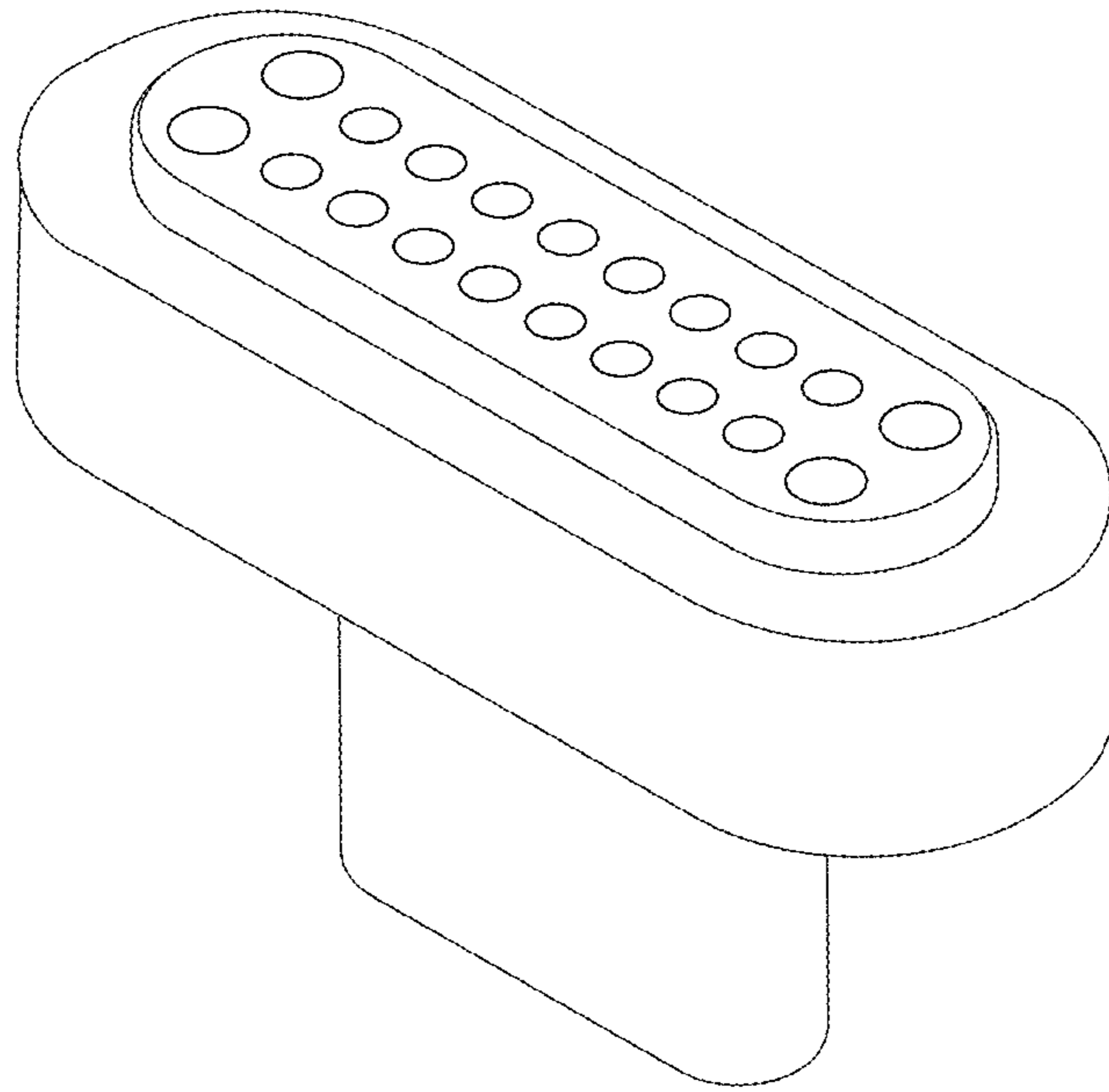


FIG. 9

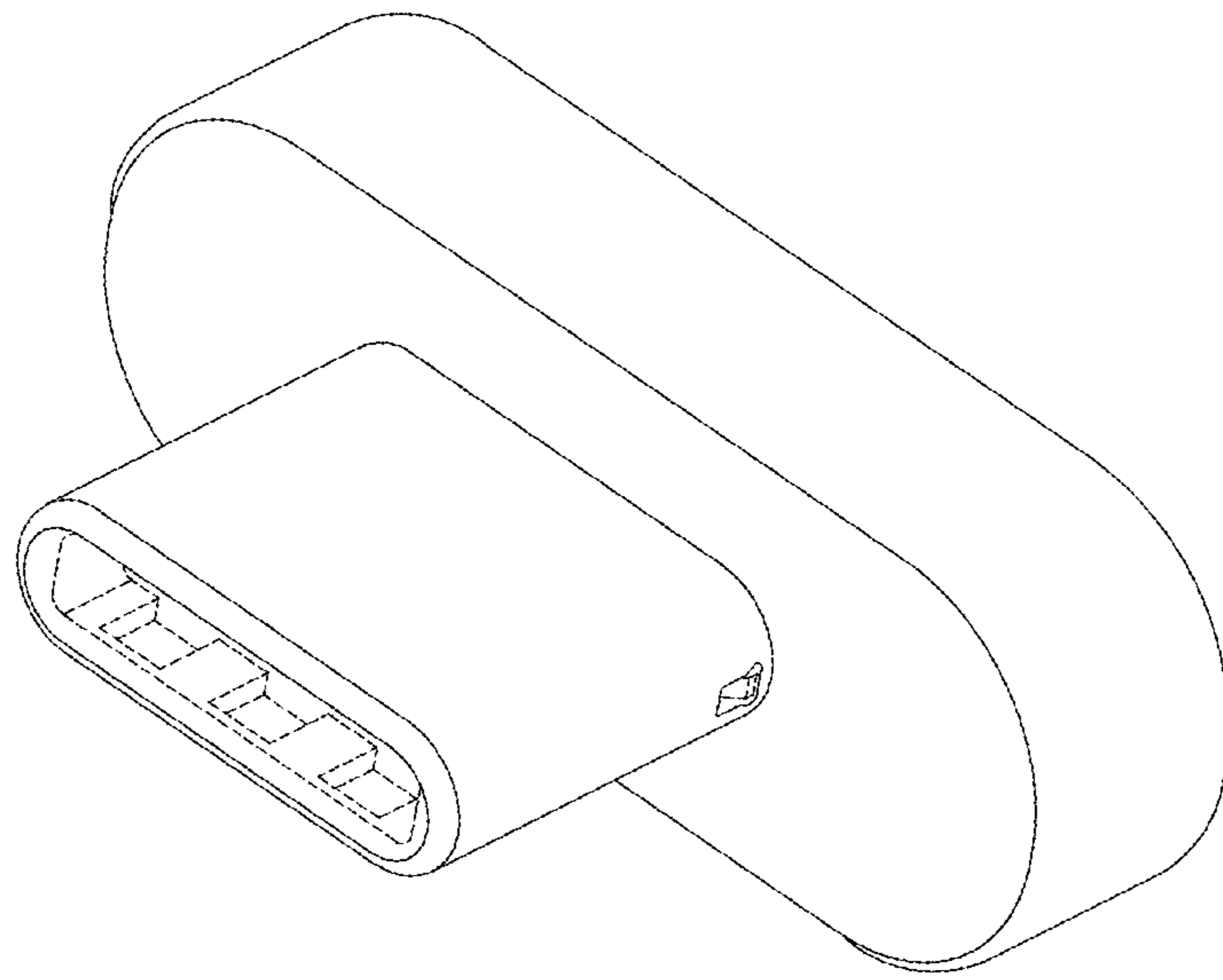


FIG. 10

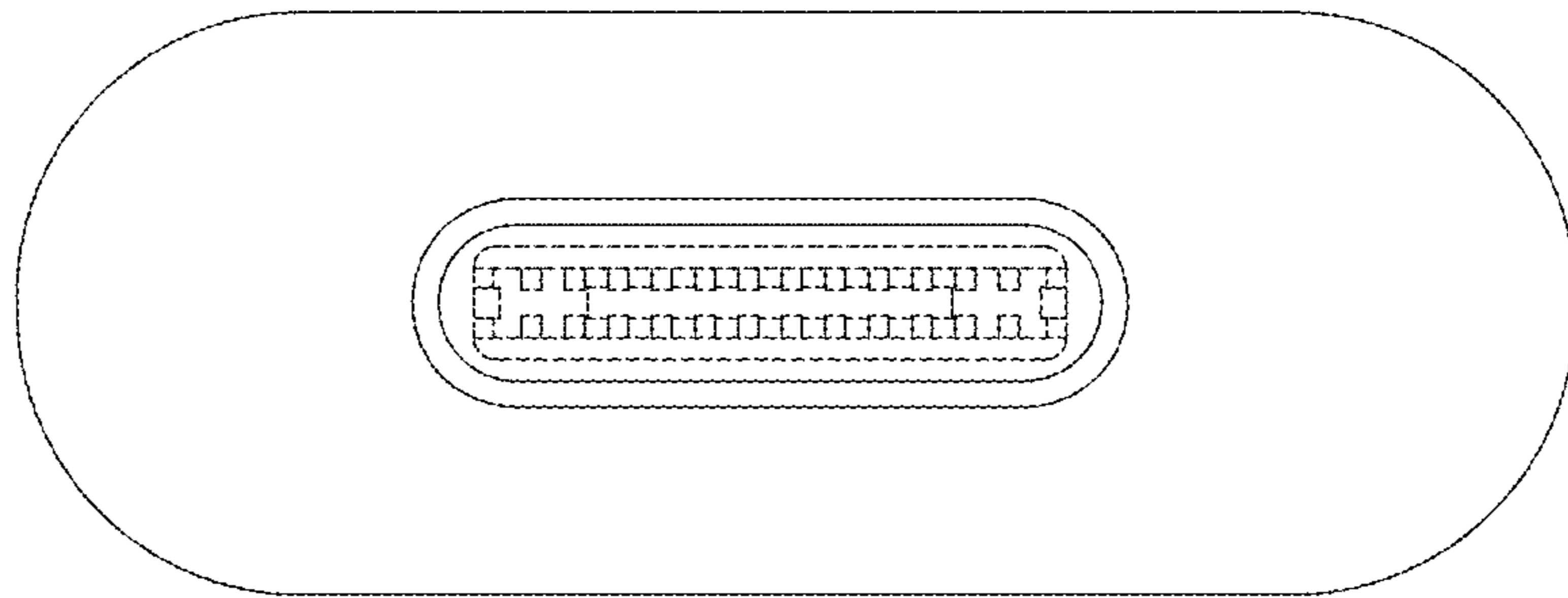


FIG. 11

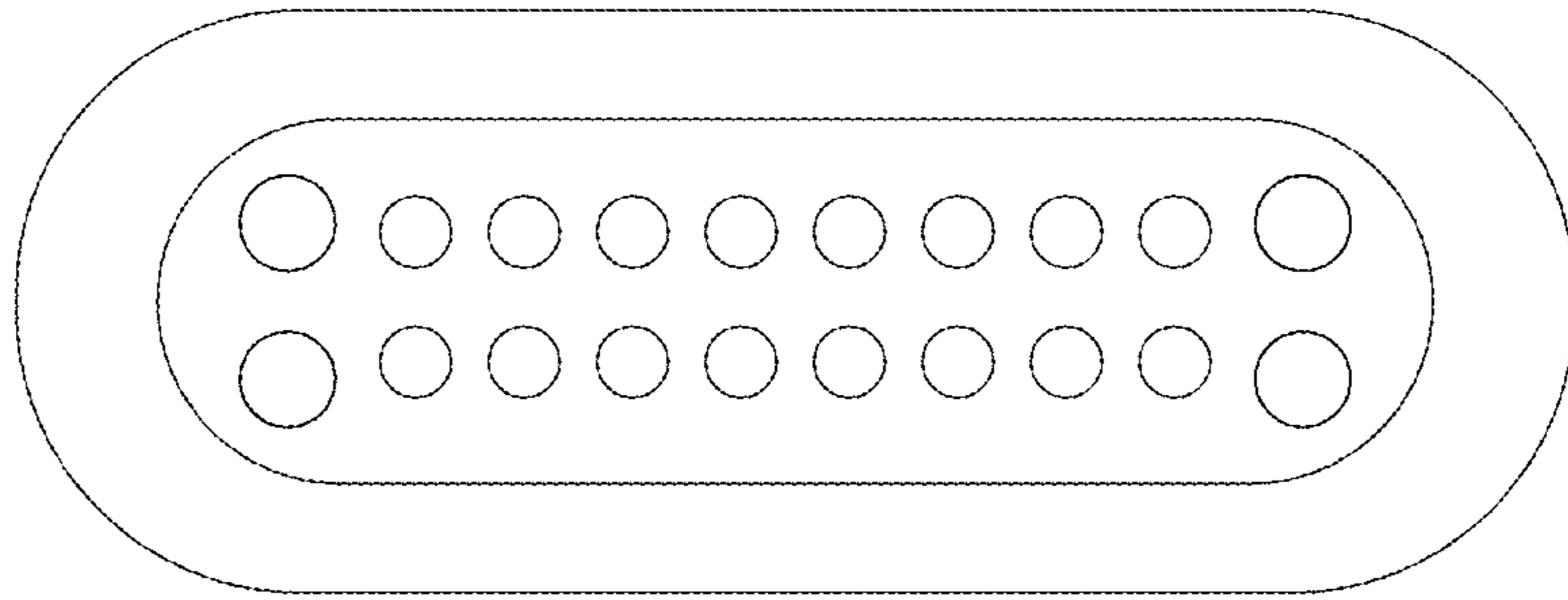


FIG. 12

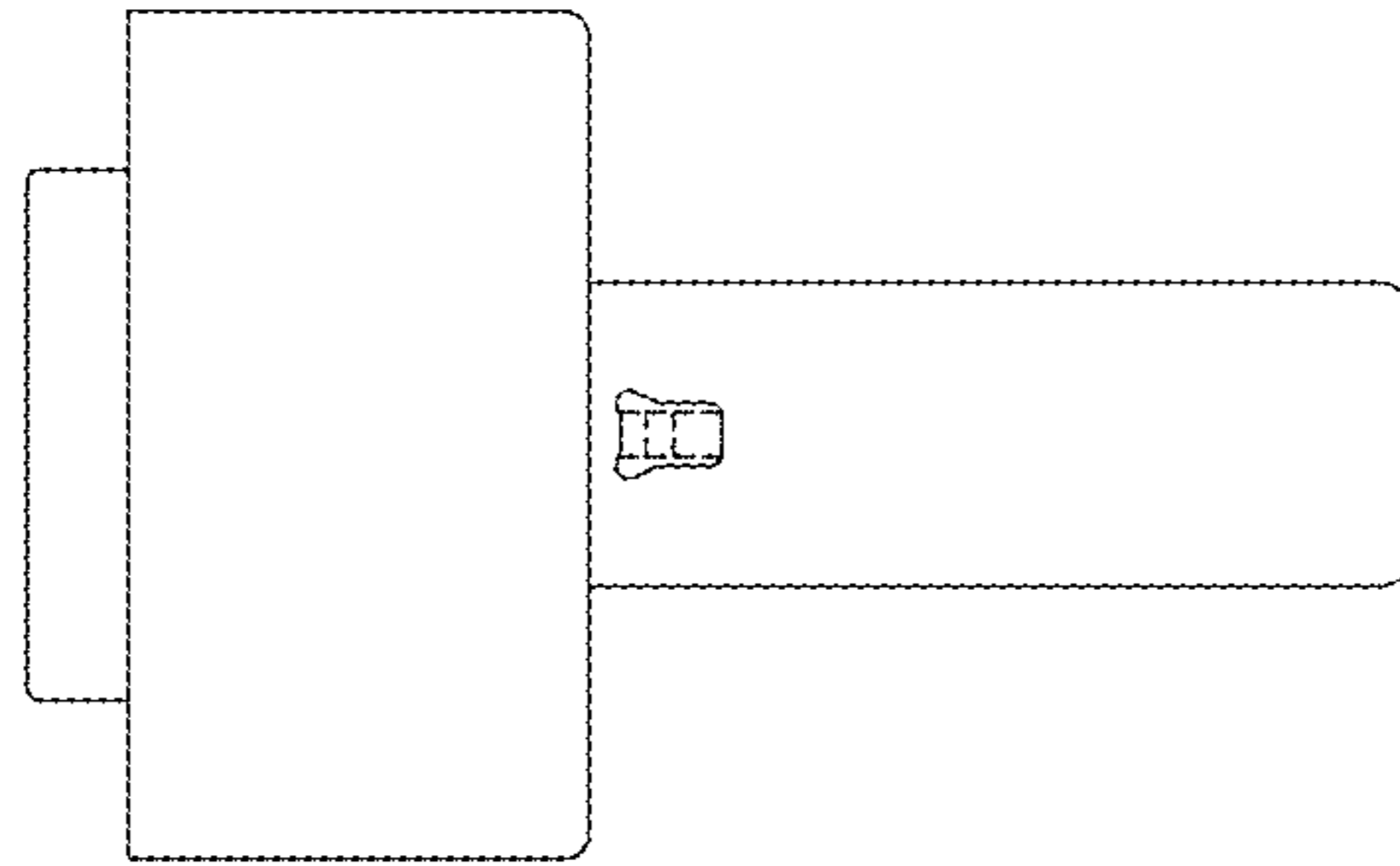


FIG. 13

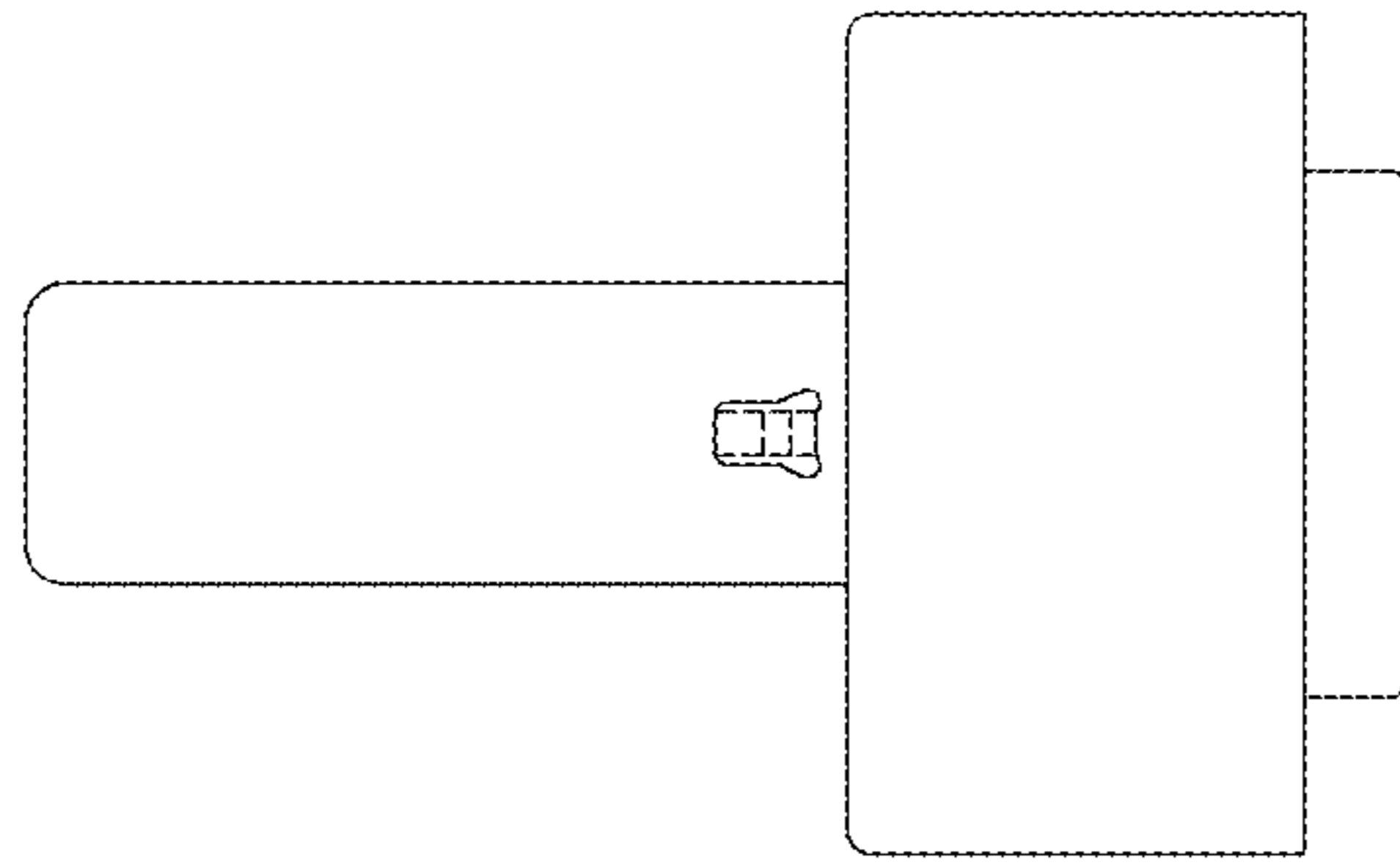


FIG. 14

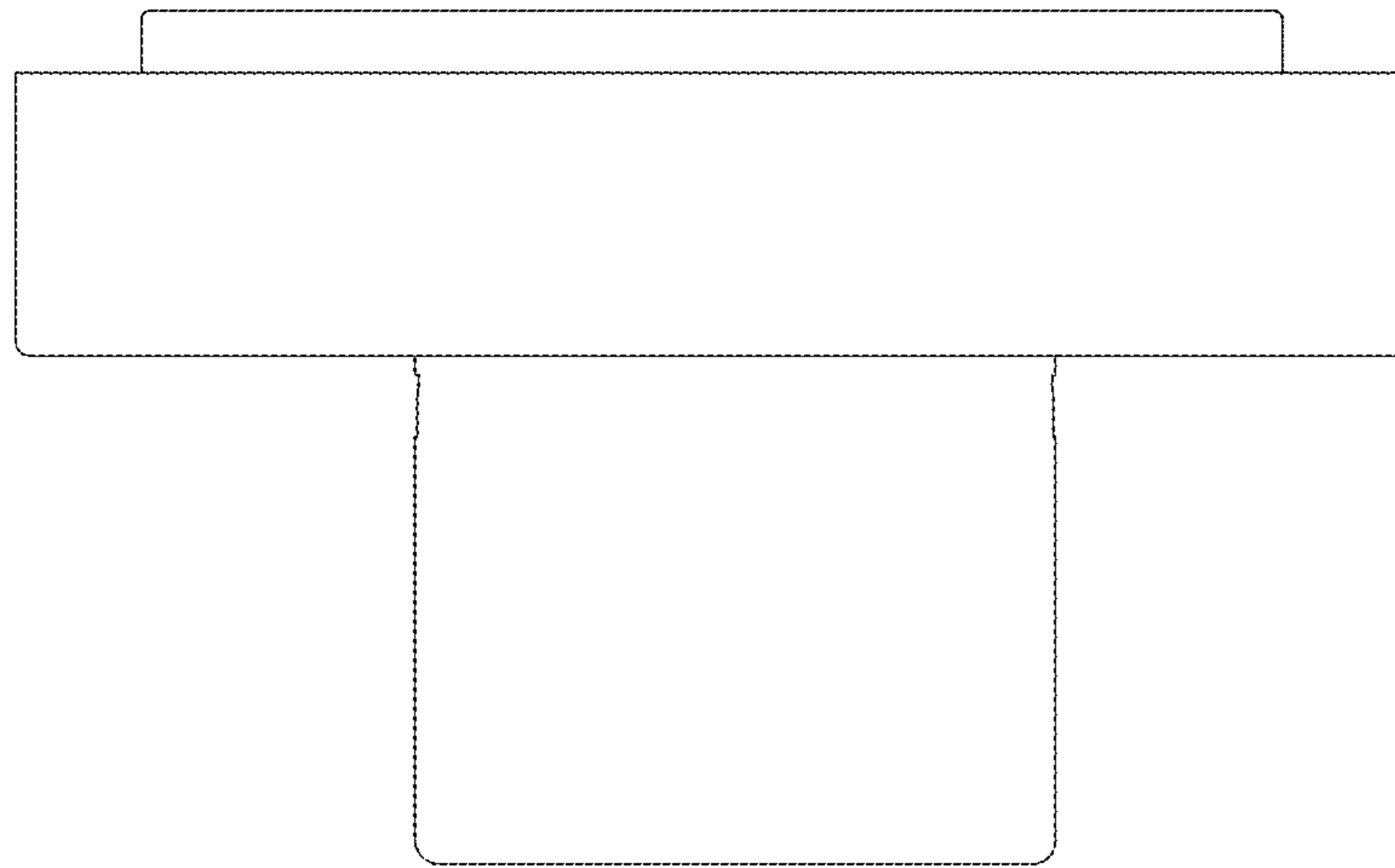


FIG. 15



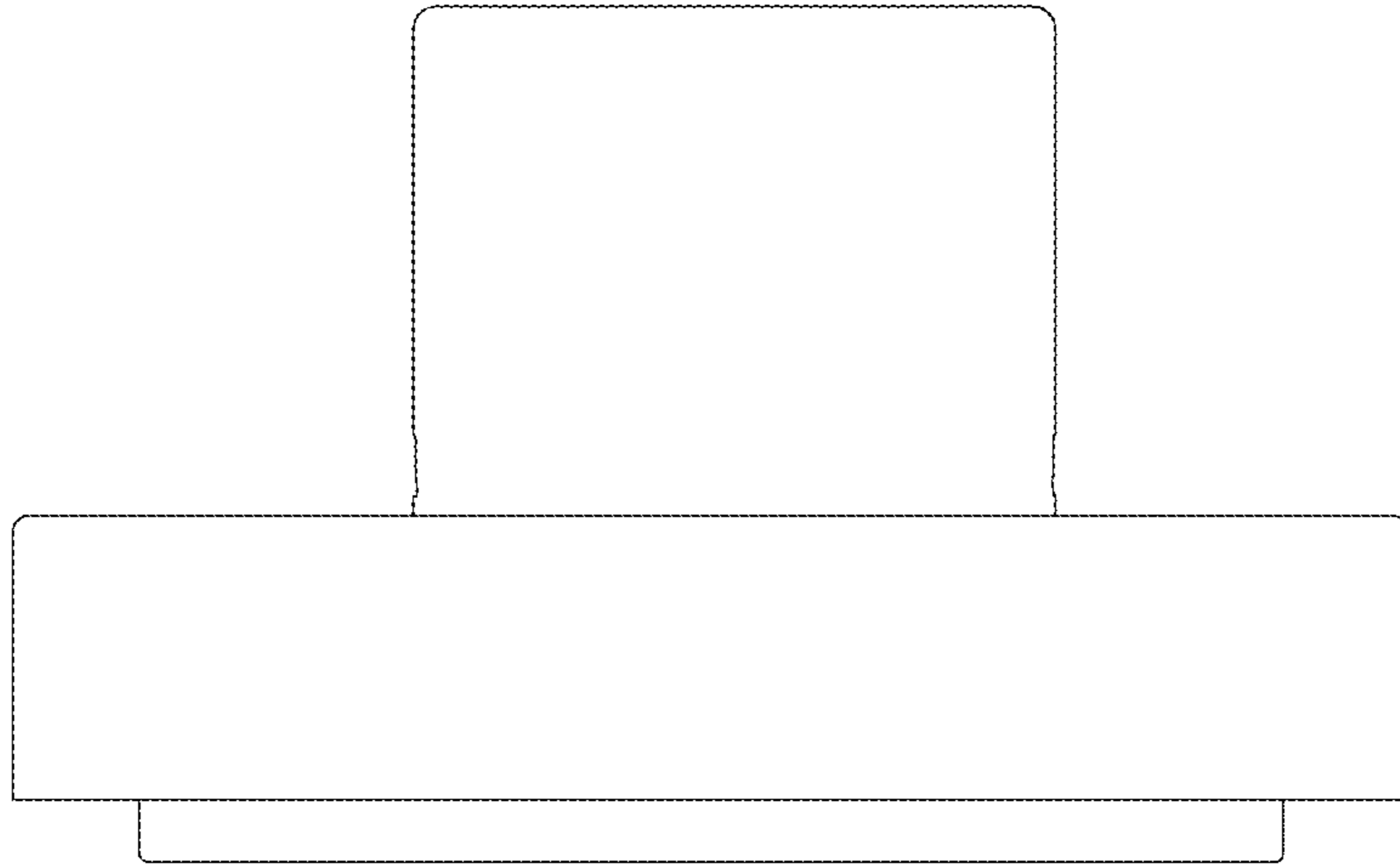


FIG. 16