



US00D881826S

(12) **United States Design Patent**
Hayes

(10) **Patent No.:** **US D881,826 S**
(45) **Date of Patent:** **** Apr. 21, 2020**

- (54) **SWITCH WITH TRIM PLATE**
- (71) Applicant: **ECOBEE INC.**, Toronto (CA)
- (72) Inventor: **Jonathan Hayes**, Cambridge, MA (US)
- (73) Assignee: **ECOBEE INC.**, Toronto (CA)
- (**) Term: **15 Years**
- (21) Appl. No.: **29/681,876**
- (22) Filed: **Feb. 28, 2019**
- (51) **LOC (12) Cl.** **13-03**
- (52) **U.S. Cl.**
USPC **D13/162; D10/106.8**
- (58) **Field of Classification Search**
USPC D13/162, 169, 171; D10/106.8
CPC .. H01H 3/02; H01H 3/08; H01H 3/12; H01H 3/16; H01H 13/04; H01H 13/14; H01H 13/50; H01H 19/04; H01H 19/14; H01H 25/065; H05K 5/0017; H05K 5/0026; G05G 1/08; G05G 1/10; G06F 3/0362; H02G 3/14
See application file for complete search history.

D838,677 S * 1/2019 Vogtner H02M 1/083
D13/162
D853,971 S * 7/2019 Hayes D13/162
D864,127 S * 10/2019 Hayes D13/162

* cited by examiner

Primary Examiner — Selina Sikder
(74) *Attorney, Agent, or Firm* — Perry + Currier Inc.

(57) **CLAIM**

The ornamental design for the switch with trim plate, as shown and described.

DESCRIPTION

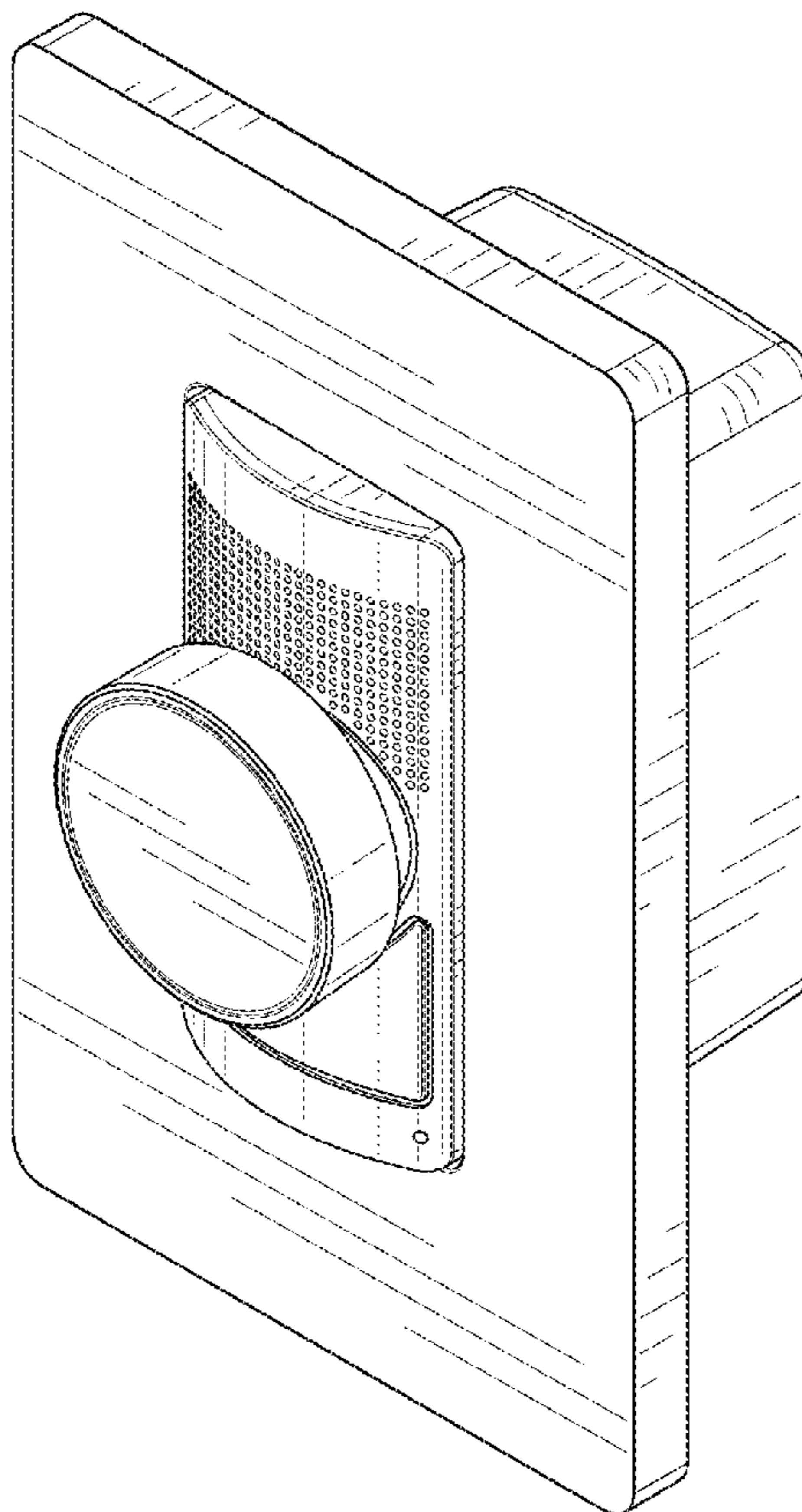
FIG. 1 is a perspective view of a switch with a trim plate. FIG. 2 is a top view of the switch with trim plate of FIG. 1. FIG. 3 is a bottom view of the switch with trim plate of FIG. 1. FIG. 4 is a front view of the switch with trim plate of FIG. 1. FIG. 5 is a rear view of the switch with trim plate of FIG. 1. FIG. 6 is a left side view of the switch with trim plate of FIG. 1. FIG. 7 is a right view of the switch with trim plate of FIG. 1; and, FIG. 8 is a perspective view of the switch of FIG. 1 with the trim plate excluded to show portions of the design not visible in the other views.

(56) **References Cited**

U.S. PATENT DOCUMENTS

- D473,851 S * 4/2003 Krajci D13/162
- D561,118 S * 2/2008 Ni D13/171

1 Claim, 7 Drawing Sheets



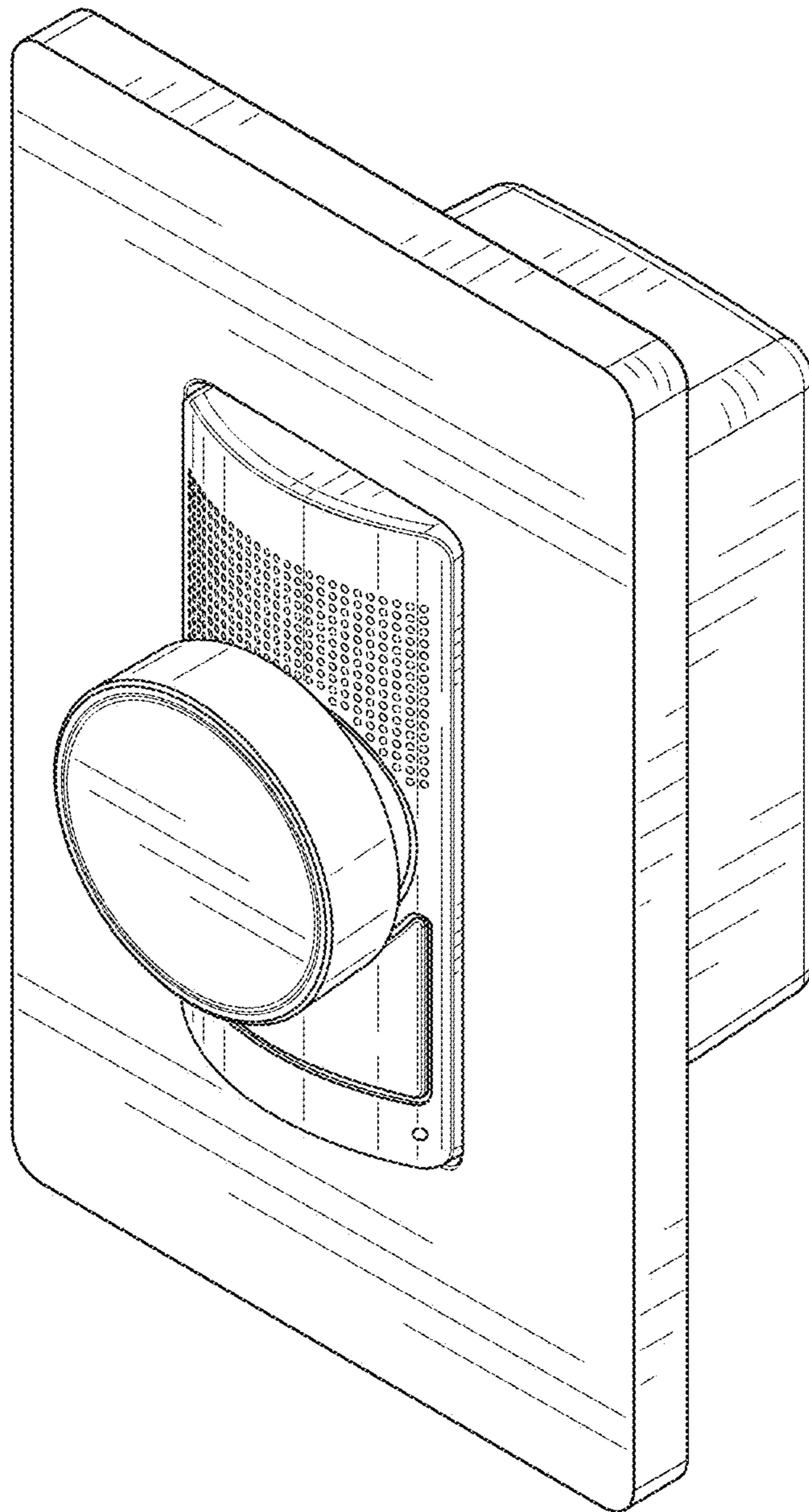


FIG. 1

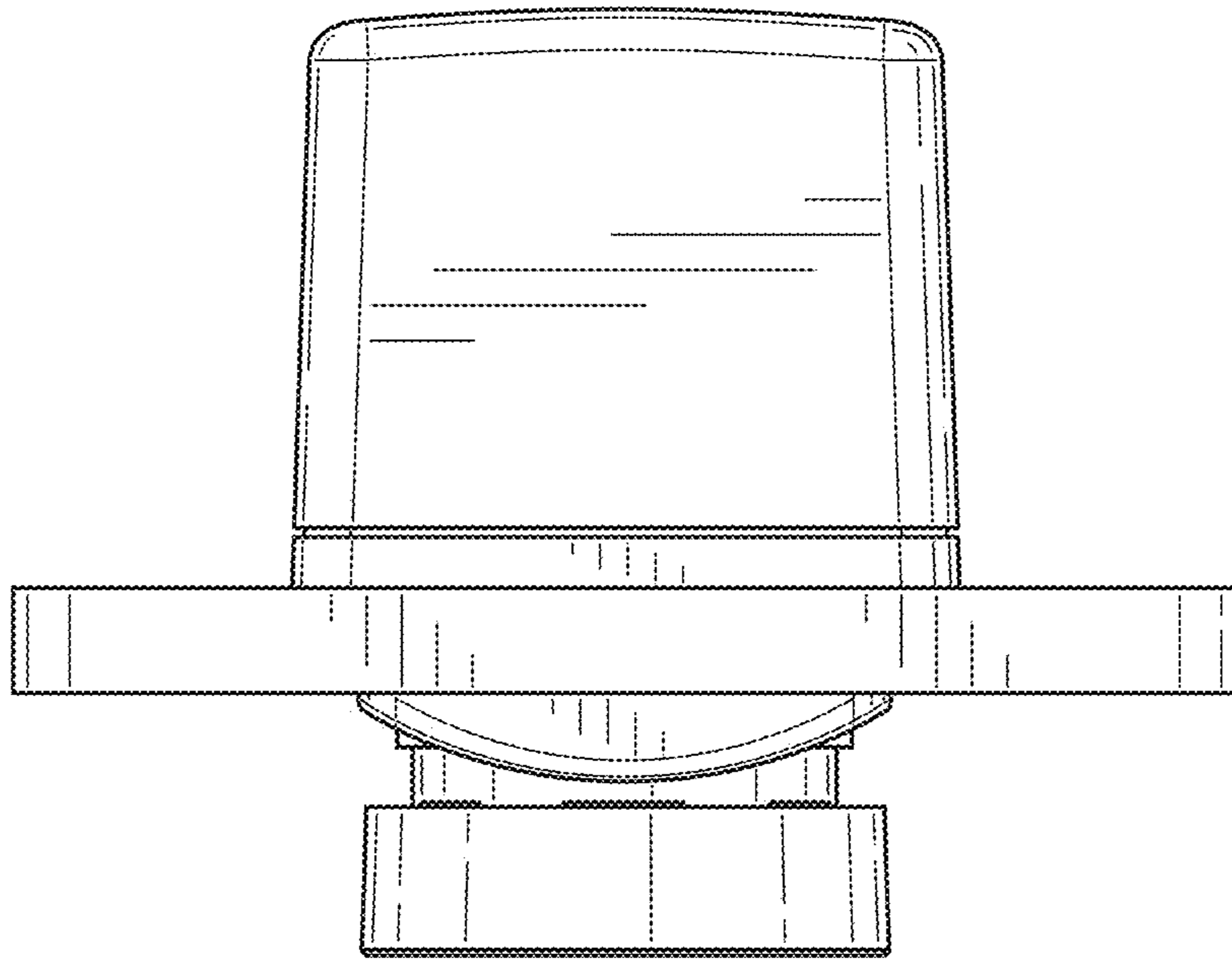


FIG. 2

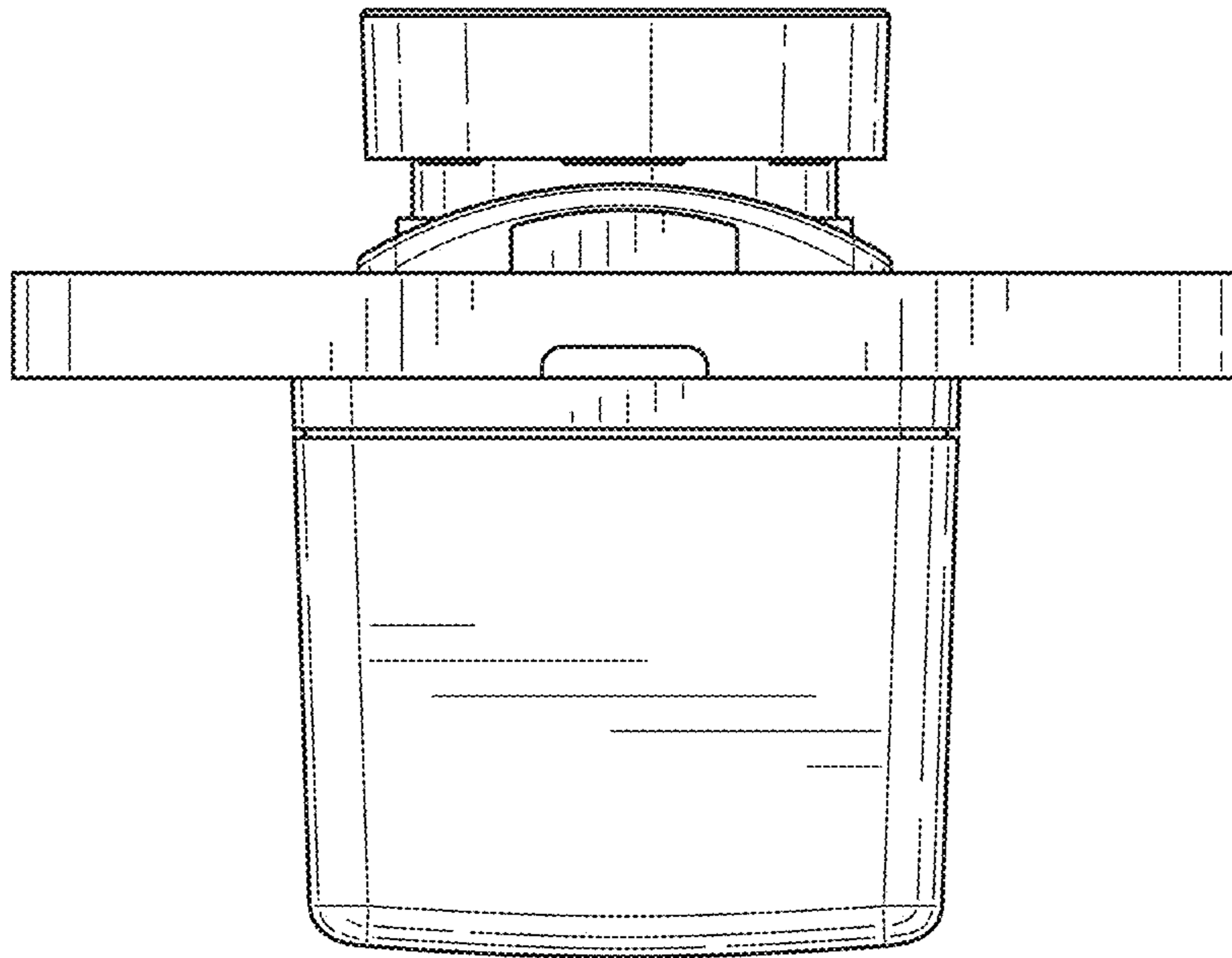


FIG. 3

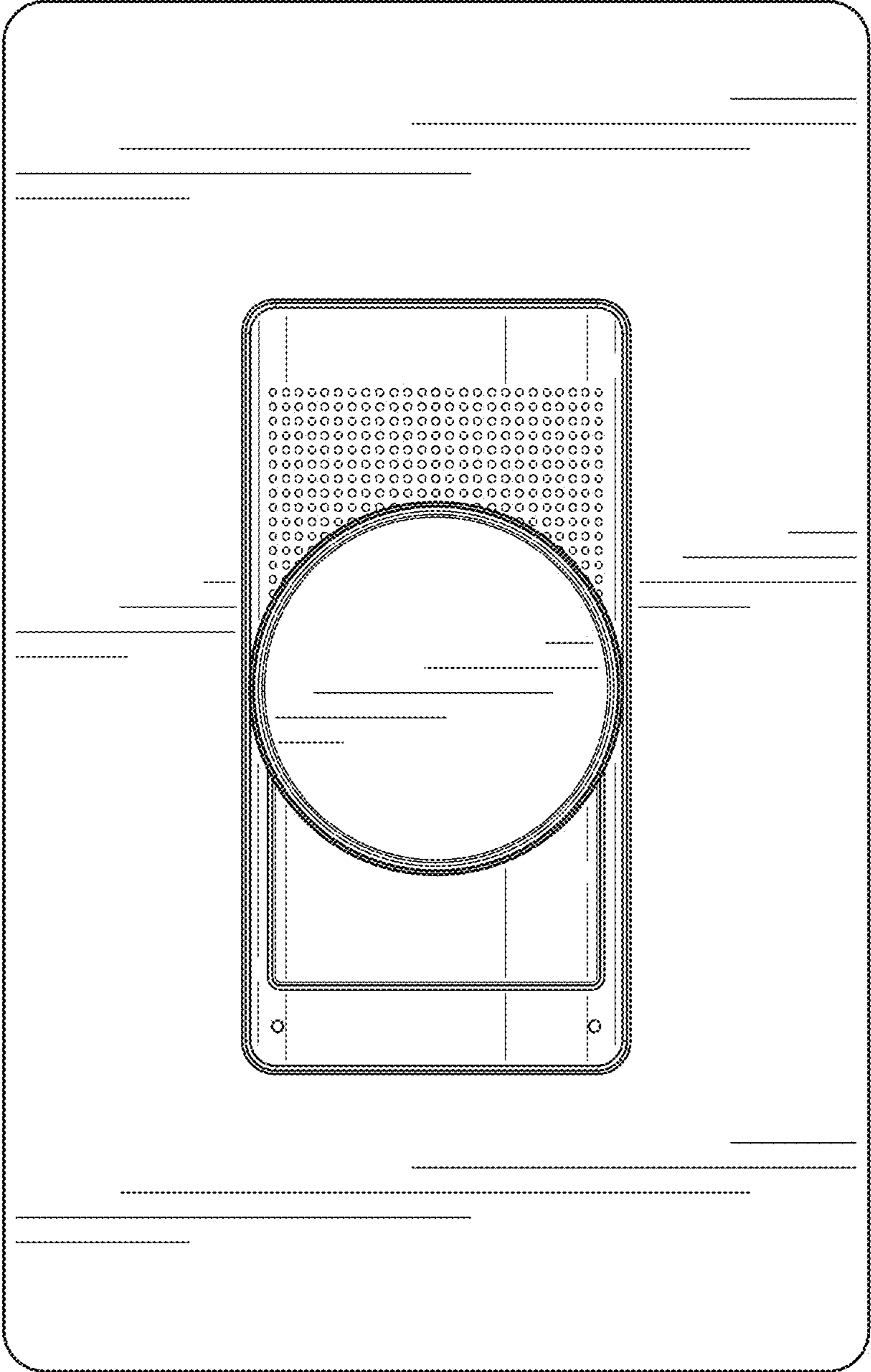


FIG. 4

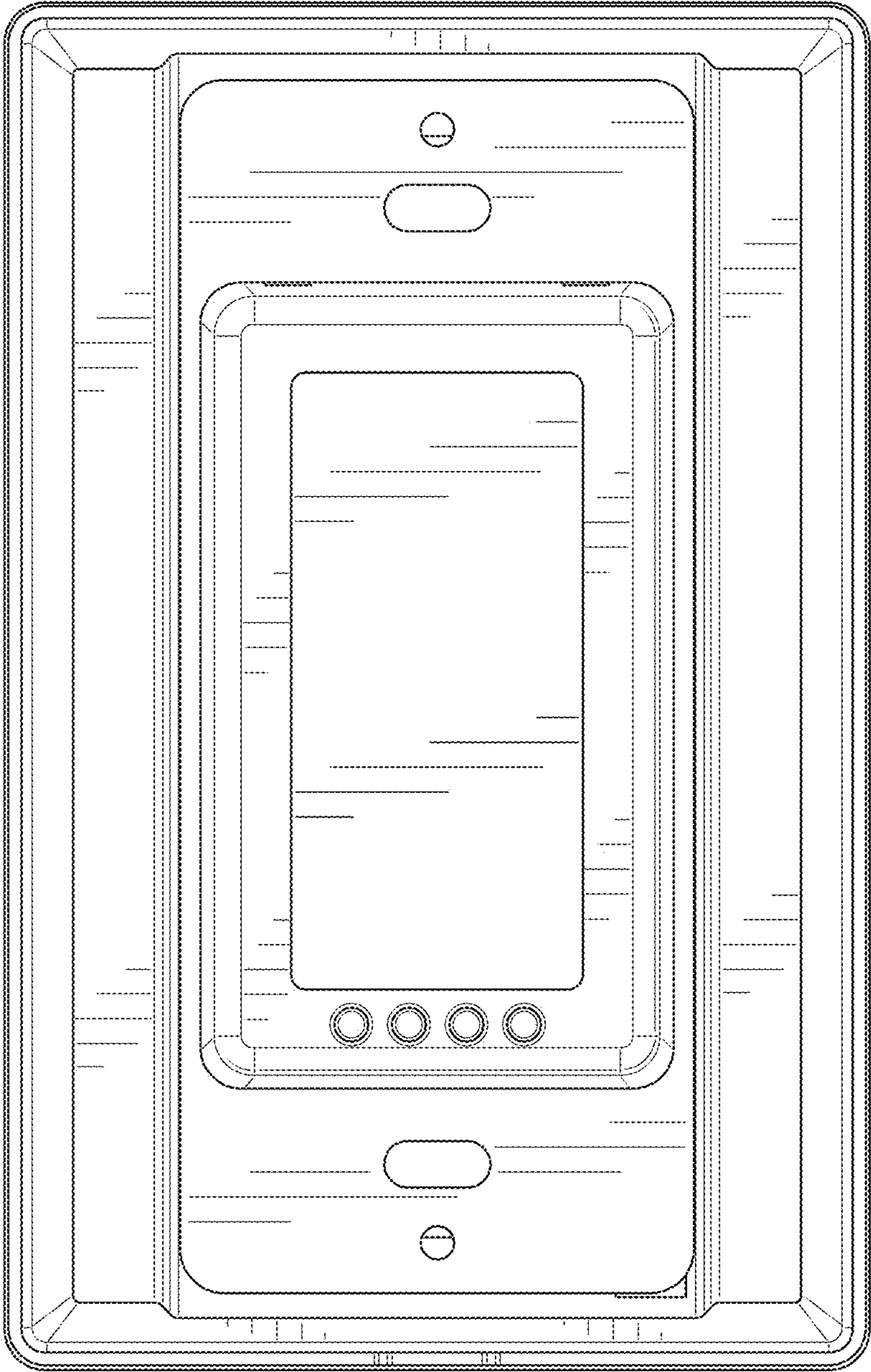


FIG. 5

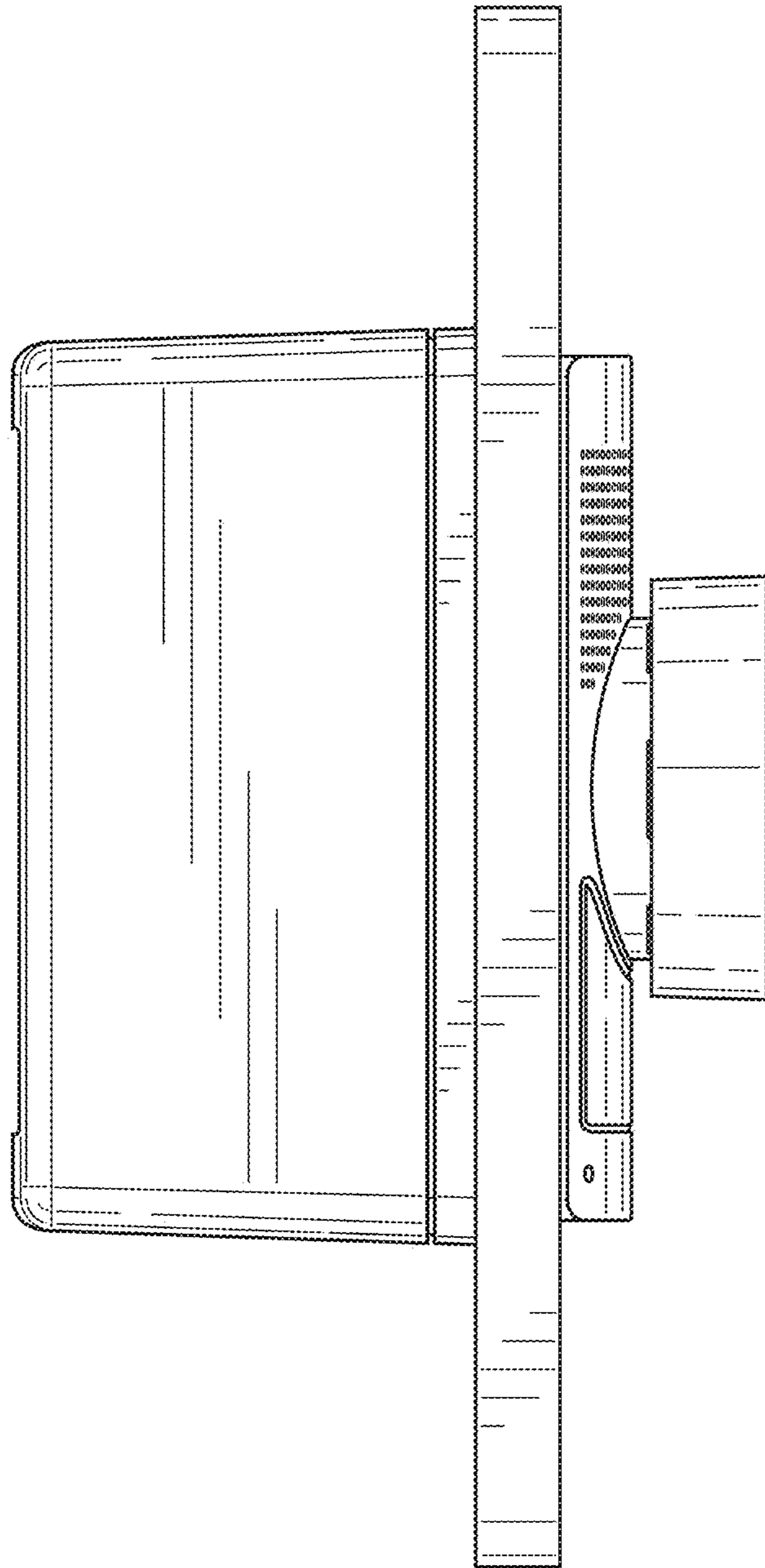


FIG. 6

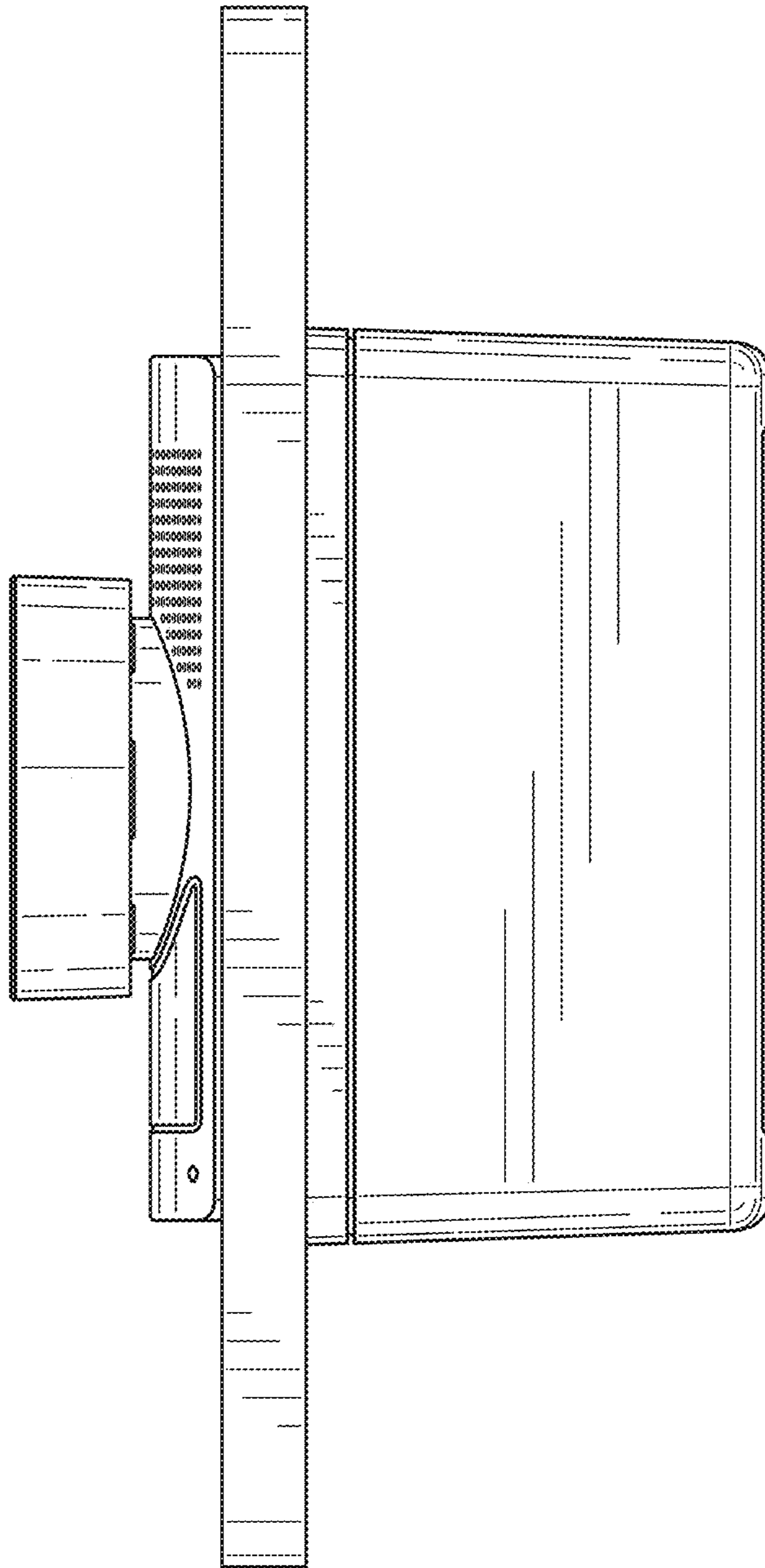


FIG. 7

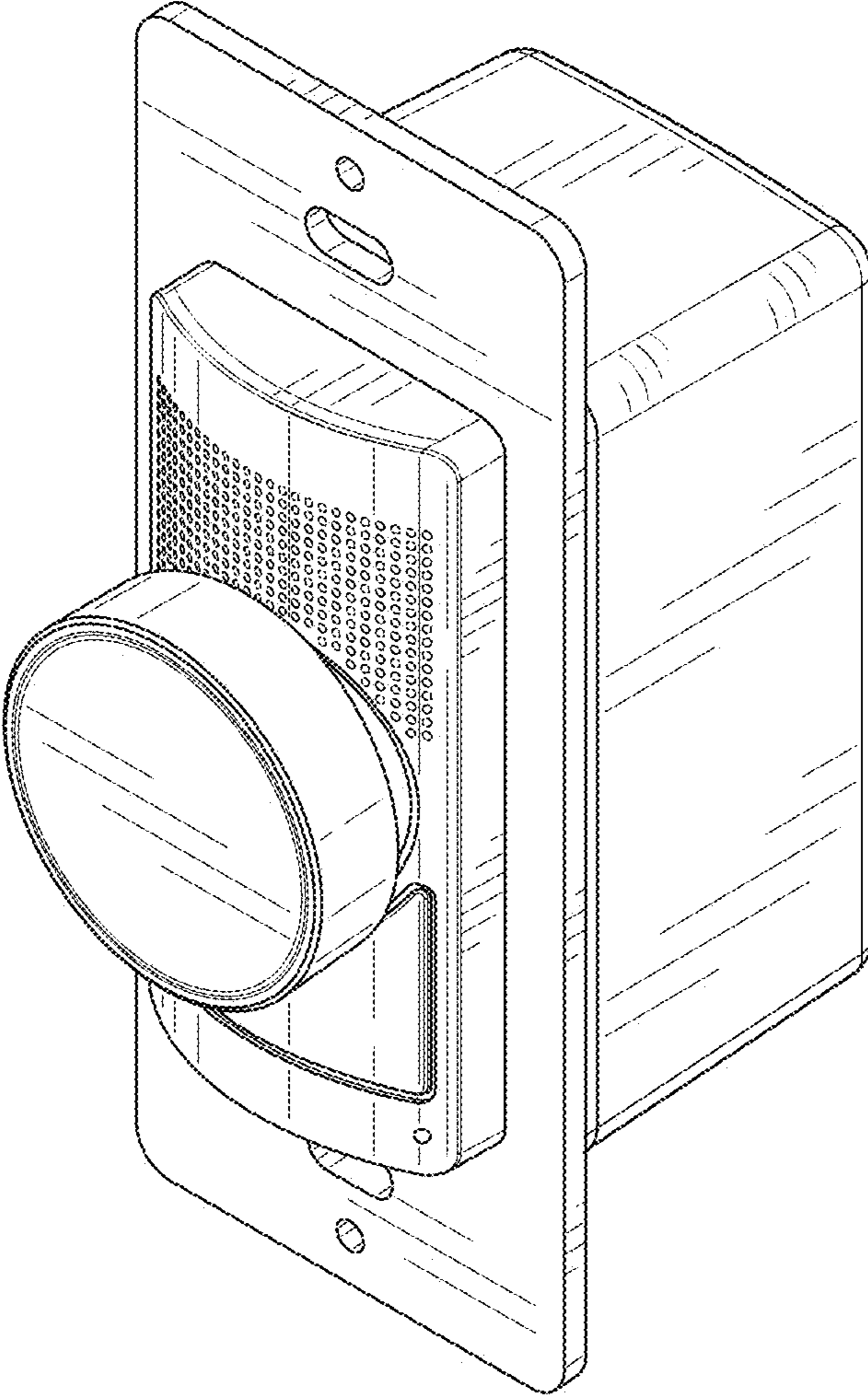


FIG. 8