



US00D881825S

(12) **United States Design Patent**  
**Lin**

(10) **Patent No.:** **US D881,825 S**

(45) **Date of Patent:** **\*\* \*Apr. 21, 2020**

(54) **CONTROL PANEL FOR POWER SUPPLY**

(71) Applicant: **CHYNG HONG ELECTRONIC CO., LTD.**, Taichung (TW)

(72) Inventor: **Mu-Chun Lin**, Taichung (TW)

(73) Assignee: **CHYNG HONG ELECTRONIC CO., LTD.**, Taichung (TW)

(\*) Notice: This patent is subject to a terminal disclaimer.

(\*\*) Term: **15 Years**

(21) Appl. No.: **29/660,569**

(22) Filed: **Aug. 21, 2018**

(51) **LOC (12) Cl.** ..... **13-03**

(52) **U.S. Cl.**  
USPC ..... **D13/162; D13/177**

(58) **Field of Classification Search**  
USPC ..... D13/162, 164, 177, 184; D14/188, 240, D14/257, 313, 441, 445  
CPC ..... H01H 13/83; H02G 3/14; H05K 7/0217; H05K 7/432  
See application file for complete search history.

(56) **References Cited**

**U.S. PATENT DOCUMENTS**

8,410,362 B1 \* 4/2013 Lin ..... H02G 3/14  
174/66  
D735,149 S \* 7/2015 Lin ..... D13/177

D770,396 S \* 11/2016 Lin ..... D13/177  
D771,577 S \* 11/2016 Lin ..... D13/177  
D782,417 S \* 3/2017 Lin ..... D13/118  
D782,424 S \* 3/2017 Lin ..... D13/177  
9,674,973 B1 \* 6/2017 Lin ..... G06F 1/188  
9,681,564 B2 \* 6/2017 Lin ..... H05K 7/20127  
D815,608 S \* 4/2018 Lin ..... D13/177  
10,062,491 B1 \* 8/2018 Lin ..... H01F 27/025  
10,063,038 B1 \* 8/2018 Lin ..... H02B 1/26  
10,123,442 B1 \* 11/2018 Lin ..... H05K 7/1432  
10,143,117 B2 \* 11/2018 Lin ..... H05K 7/20909  
10,264,709 B1 \* 4/2019 Lin ..... H05K 7/2039  
10,383,245 B1 \* 8/2019 Lin ..... H05K 5/0247

\* cited by examiner

*Primary Examiner* — Selina Sikder

(74) *Attorney, Agent, or Firm* — Sinorica, LLC

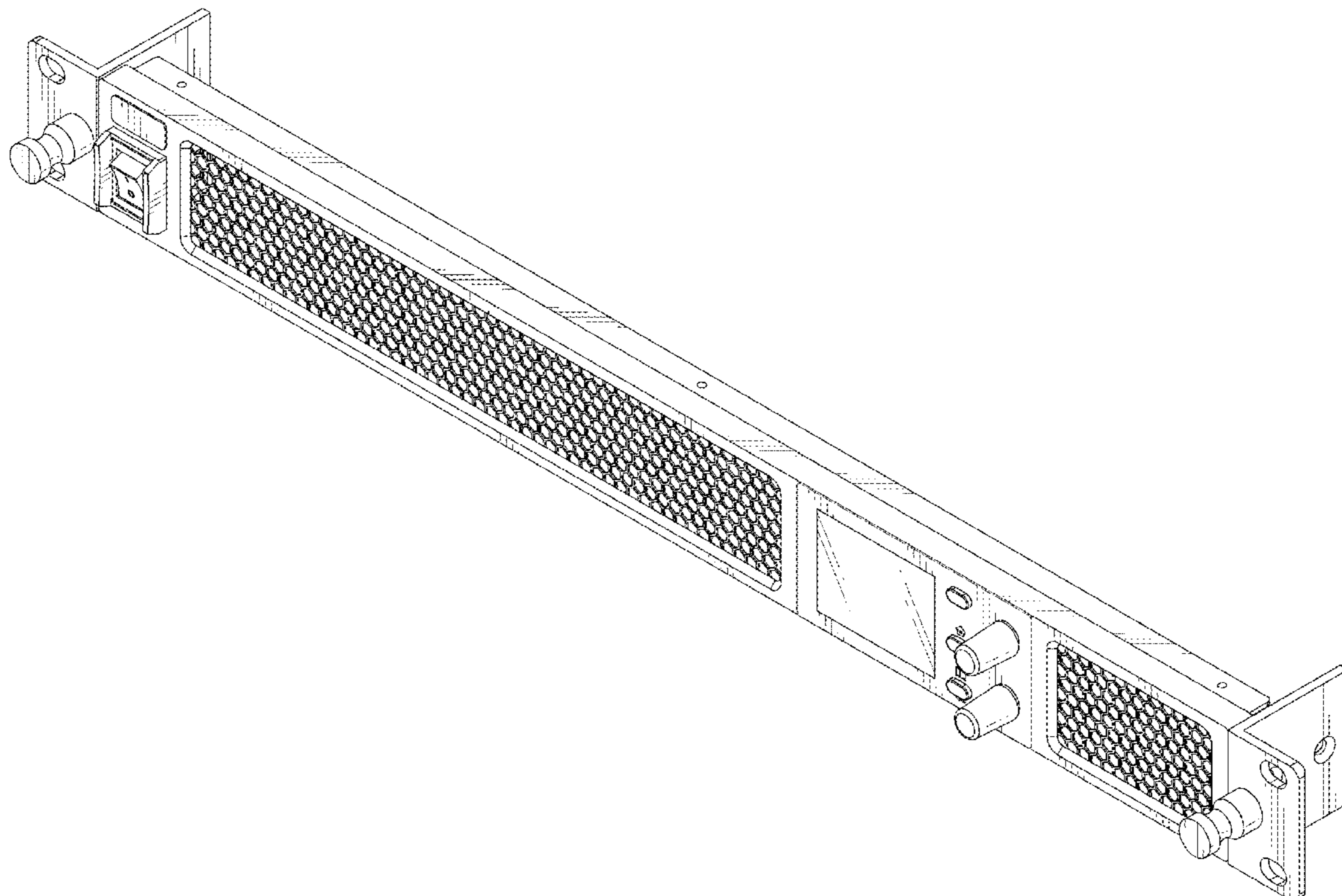
(57) **CLAIM**

I claim the ornamental design for a control panel for power supply, as shown and described.

**DESCRIPTION**

FIG. 1 is a front perspective view of a control panel for power supply showing my new design;  
FIG. 2 is a front elevational view thereof;  
FIG. 3 is a rear elevational view thereof.  
FIG. 4 is a left side elevational view thereof;  
FIG. 5 is a right side elevational view thereof;  
FIG. 6 is a top plan view thereof; and,  
FIG. 7 is a bottom plan view thereof.

**1 Claim, 4 Drawing Sheets**



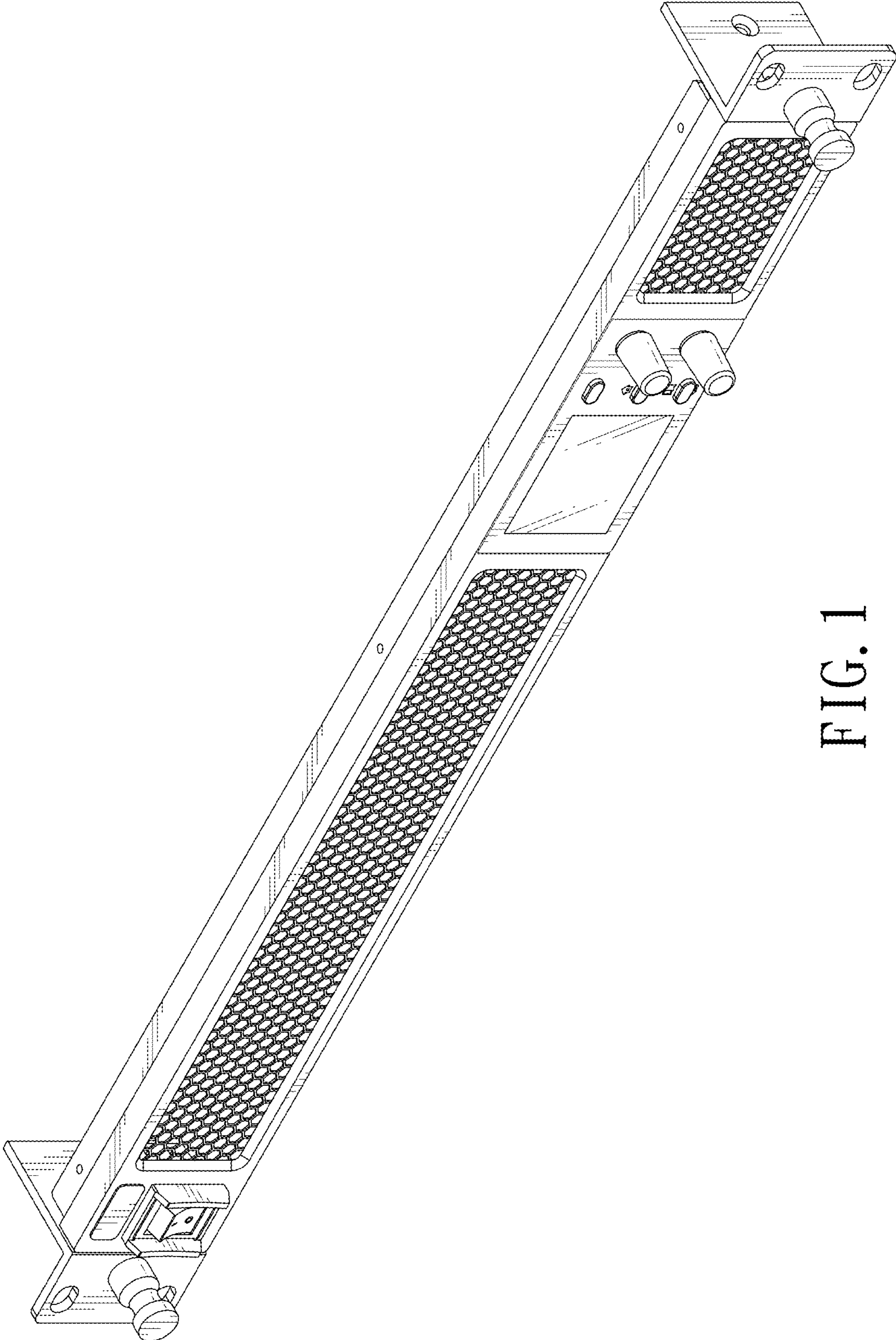


FIG. 1

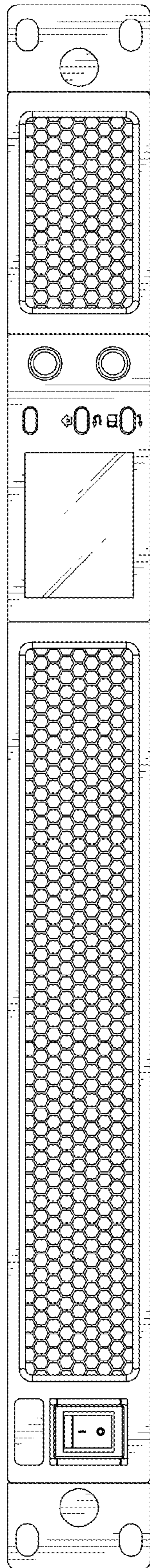


FIG. 2

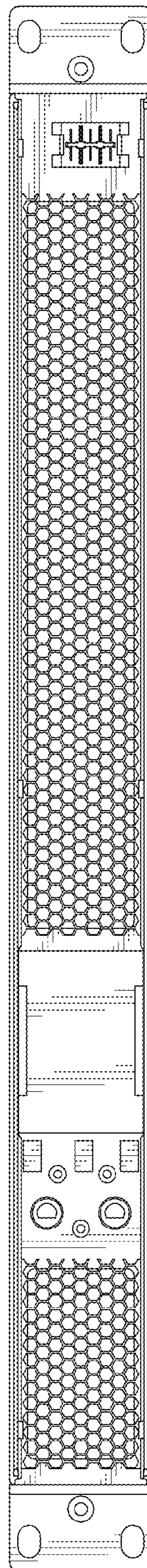


FIG. 3

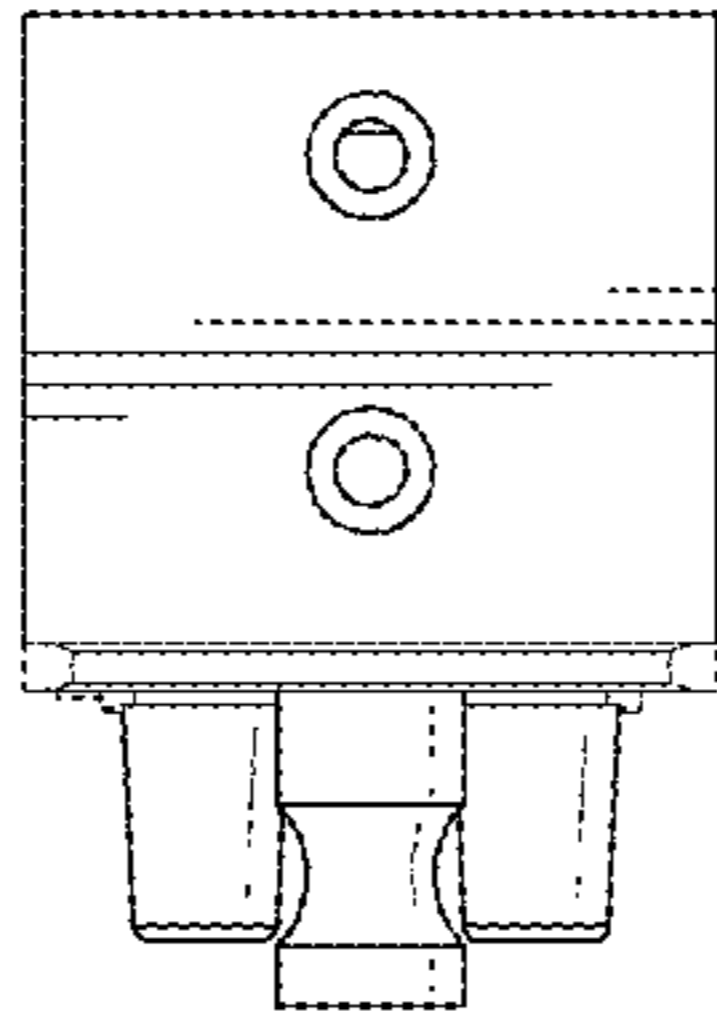


FIG. 5

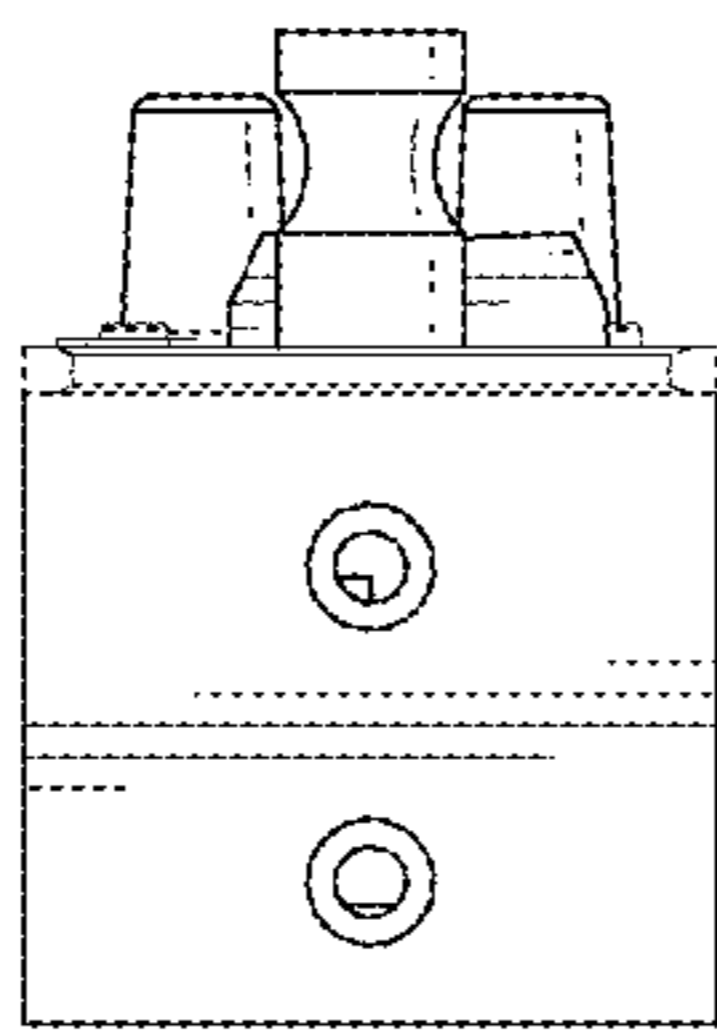


FIG. 4

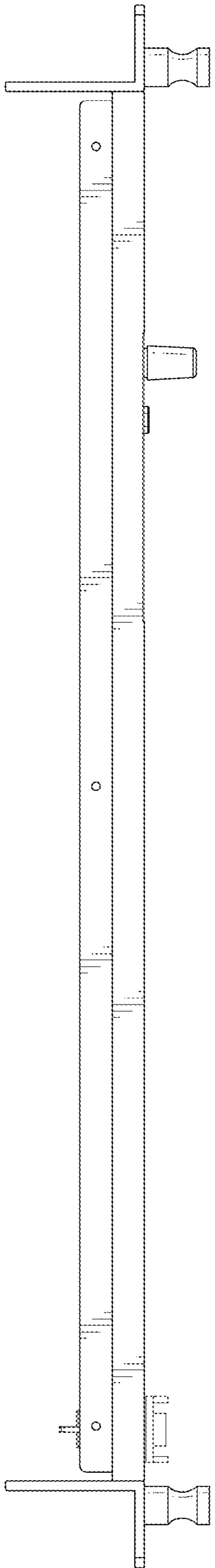


FIG. 6

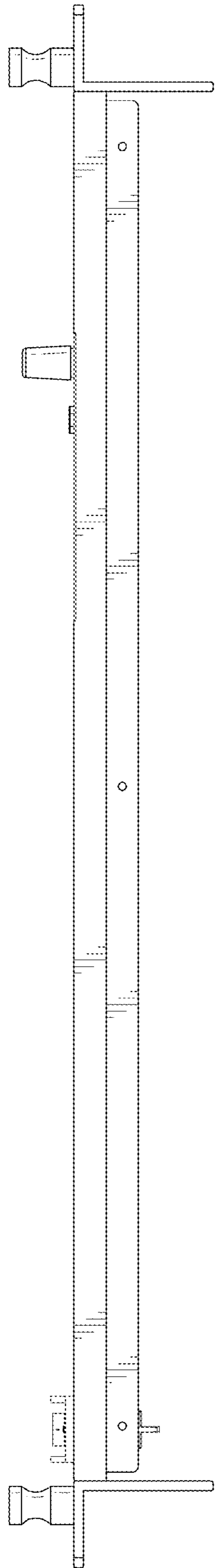


FIG. 7