



US00D881823S

(12) **United States Design Patent**
Clowes et al.

(10) **Patent No.:** **US D881,823 S**

(45) **Date of Patent:** **** Apr. 21, 2020**

(54) **THERMAL BRIDGE**

D676,314 S * 2/2013 Cude D8/396
D701,840 S * 4/2014 Kazakia D13/155
D709,359 S * 7/2014 Symons D8/396

(Continued)

(71) Applicant: **DESKTOP METAL, INC.**, Burlington, MA (US)

Primary Examiner — Jennifer Rivard

(72) Inventors: **Christina Clowes**, Williamsville, NY (US); **Matthew Dwyer**, Lancaster, NY (US); **Douglas White**, East Amherst, NY (US)

Assistant Examiner — Alison M Ofstun

(74) *Attorney, Agent, or Firm* — Bookoff McAndrews, PLLC

(73) Assignee: **Desktop Metal, Inc.**, Burlington, MA (US)

(57) **CLAIM**

The ornamental design for a thermal bridge, as shown and described.

(**) Term: **15 Years**

DESCRIPTION

(21) Appl. No.: **29/646,226**

FIG. 1 is a top front perspective view of a thermal bridge, showing our new design, in an environment of use.

(22) Filed: **May 2, 2018**

FIG. 2 is a rear bottom perspective view thereof.

(51) **LOC (12) Cl.** **13-03**

FIG. 3 is a front elevation view thereof.

(52) **U.S. Cl.**

FIG. 4 is a rear elevation view thereof.

USPC **D13/155**

FIG. 5 is a left side elevation view thereof.

(58) **Field of Classification Search**

FIG. 6 is a right side elevation view thereof.

USPC D13/120, 133, 146, 147, 151, 153, 154, D13/155, 156; D3/208; D8/349, 356, D8/382, 394, 396

FIG. 7 is a top plan view thereof.

CPC B65H 75/36; H01R 13/5845; H01R 13/72; H01R 31/06; H01R 11/00; H04M 1/15; F16G 11/14; D06F 55/00; H02M 2001/0009; F02C 7/28; H02G 15/113

FIG. 8 is a bottom plan view thereof.

See application file for complete search history.

FIG. 9 is a top front perspective view thereof, shown in an alternate environment of use.

(56) **References Cited**

U.S. PATENT DOCUMENTS

4,350,842 A * 9/1982 Nolf H02G 15/013
174/88 R
D311,487 S * 10/1990 Platt D8/356
6,095,956 A * 8/2000 Huang A63B 21/0004
248/56
D534,065 S * 12/2006 Andre D8/395
D540,157 S * 4/2007 Nagle D8/396
D577,990 S * 10/2008 Andre D14/205
D629,803 S * 12/2010 St. Ives D14/396

FIG. 10 is a rear bottom perspective view thereof.

FIG. 11 is a front elevation view thereof.

FIG. 12 is a rear elevation view thereof.

FIG. 13 is a left side elevation view thereof.

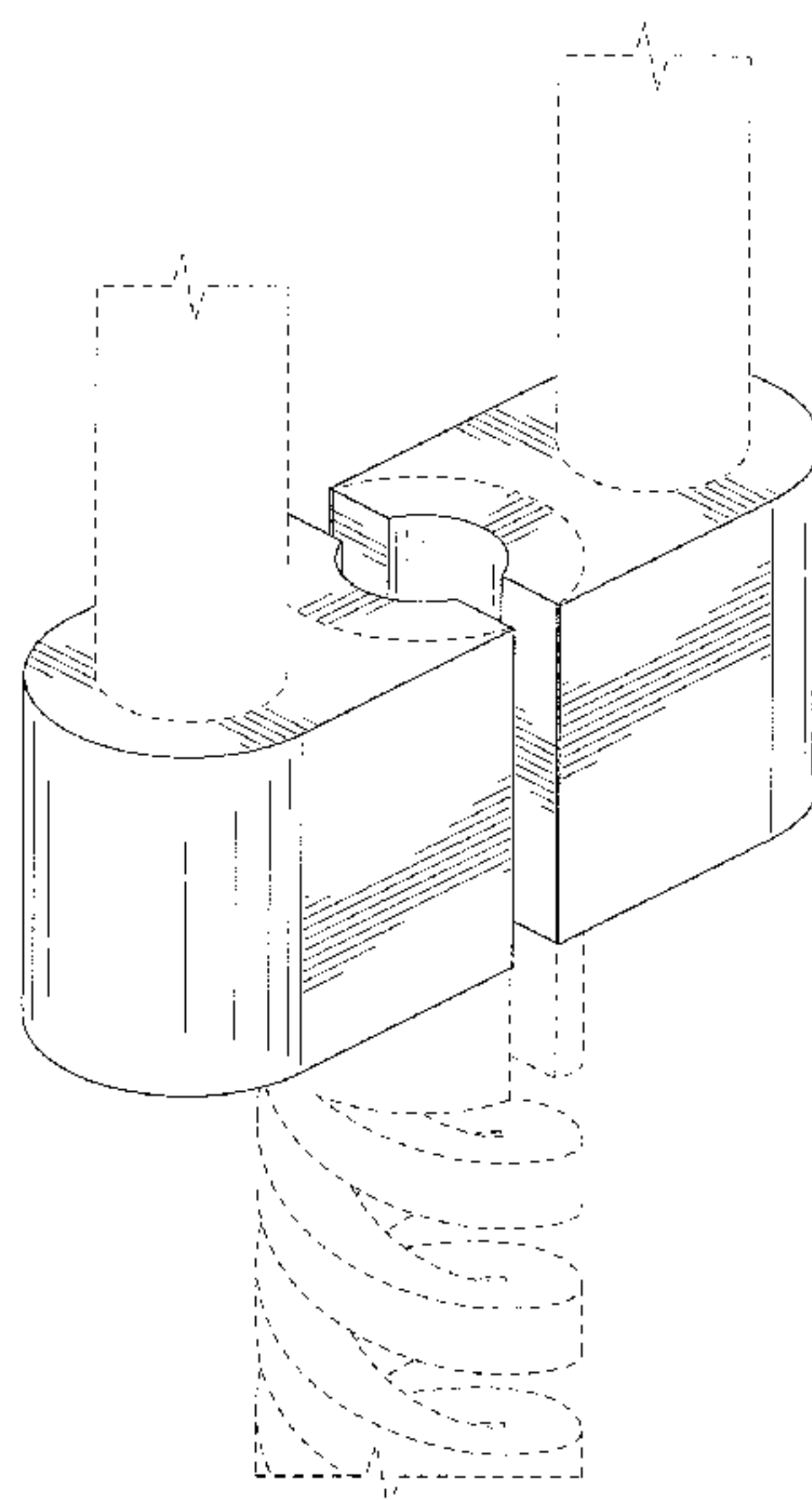
FIG. 14 is a right side elevation view thereof.

FIG. 15 is a top plan view thereof; and,

FIG. 16 is a bottom plan view thereof.

In FIGS. 1-8 the evenly spaced broken lines protruding from the article represent environmental subject matter which forms no part of the claimed design. The remaining evenly spaced broken lines in the drawings represent portions of the article which form no part of the claimed design. The dash-dot broken lines represent a boundary to the claimed design and form no part thereof.

1 Claim, 12 Drawing Sheets



(56)

References Cited

U.S. PATENT DOCUMENTS

D752,955 S *	4/2016	Rowan	D8/356
D775,937 S *	1/2017	Davis	D8/356
D819,186 S *	5/2018	Huh	D23/262
D819,483 S *	6/2018	Ciptak	D11/87
D836,561 S *	12/2018	Hung	D13/155

* cited by examiner

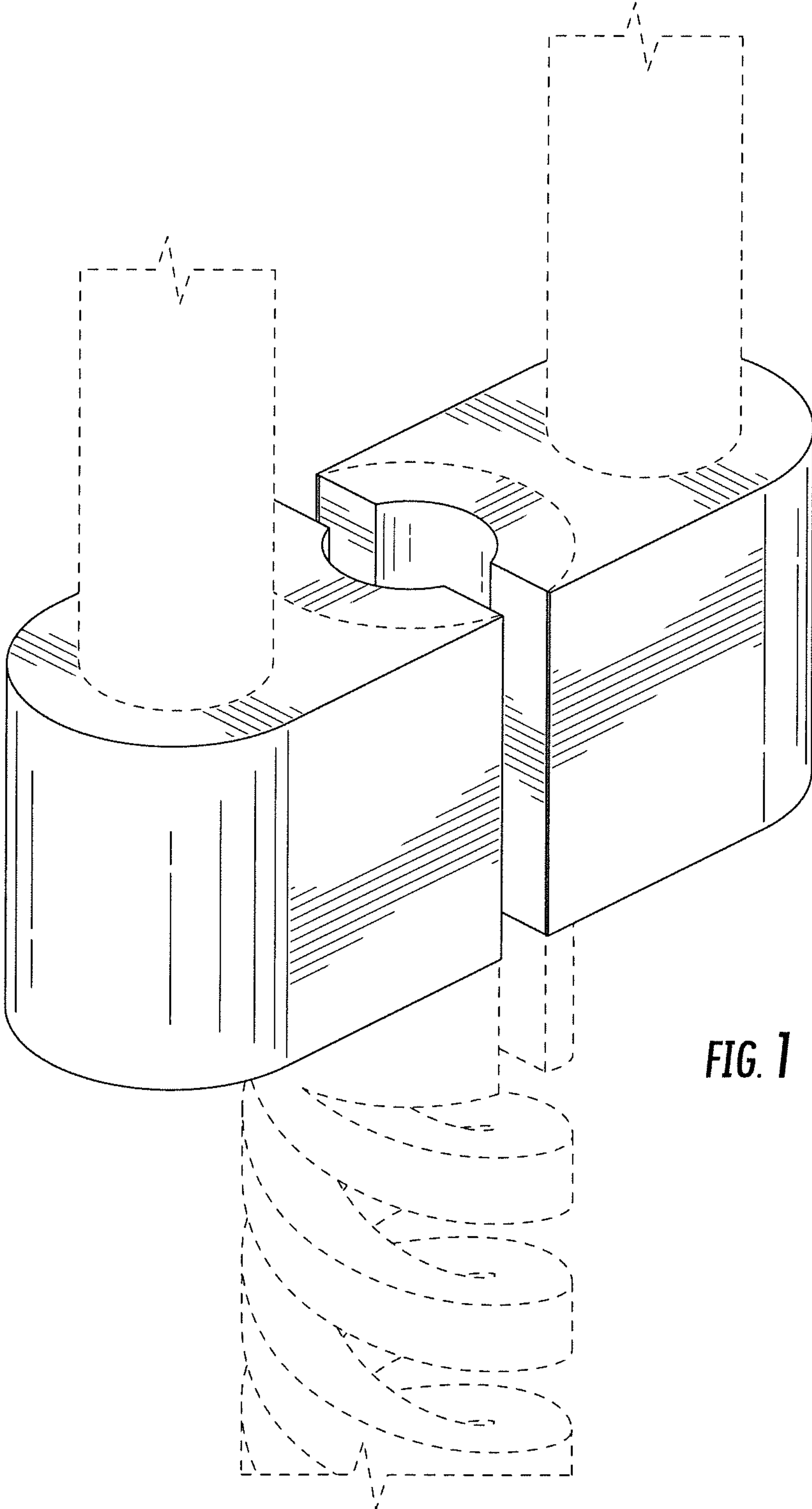
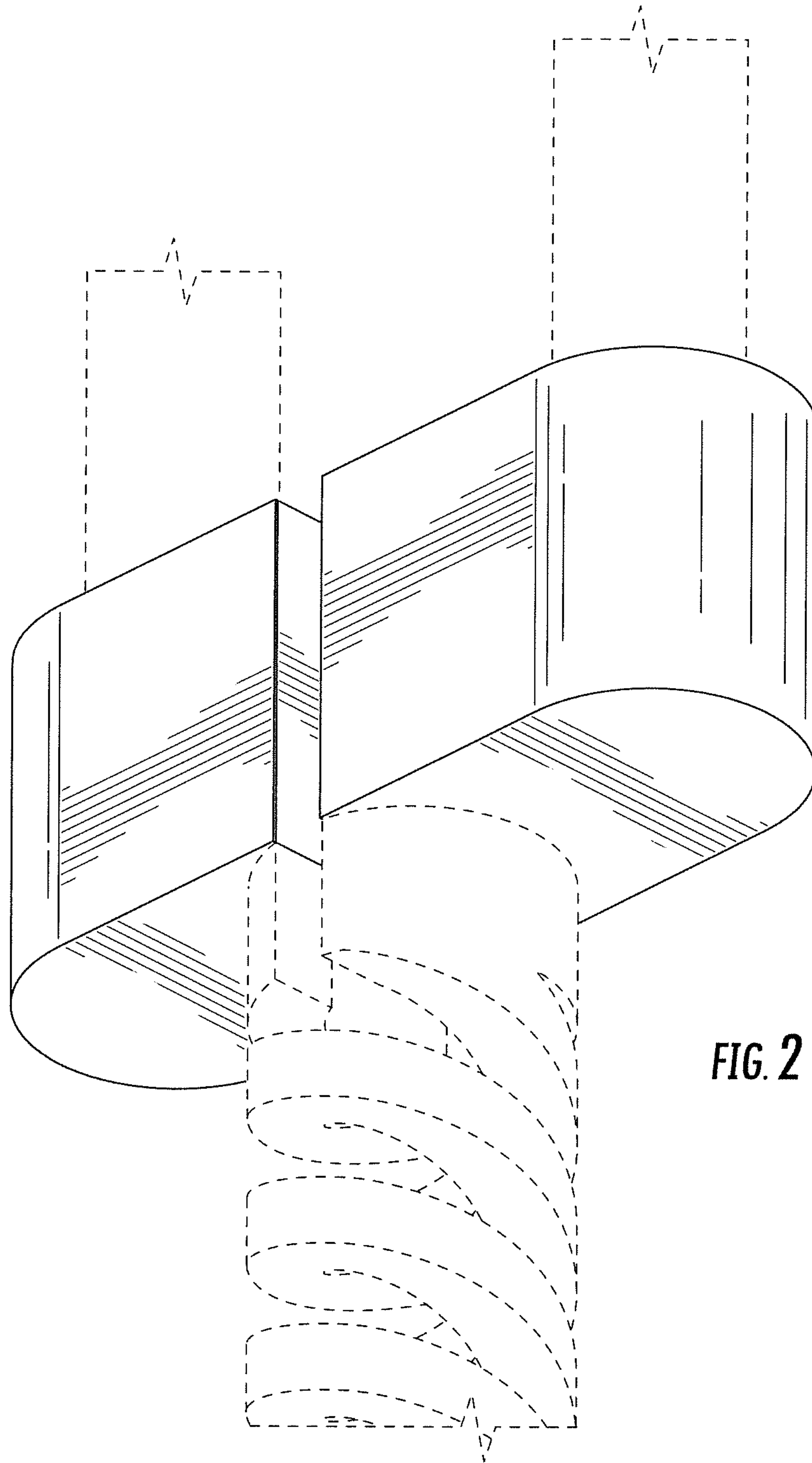


FIG. 1



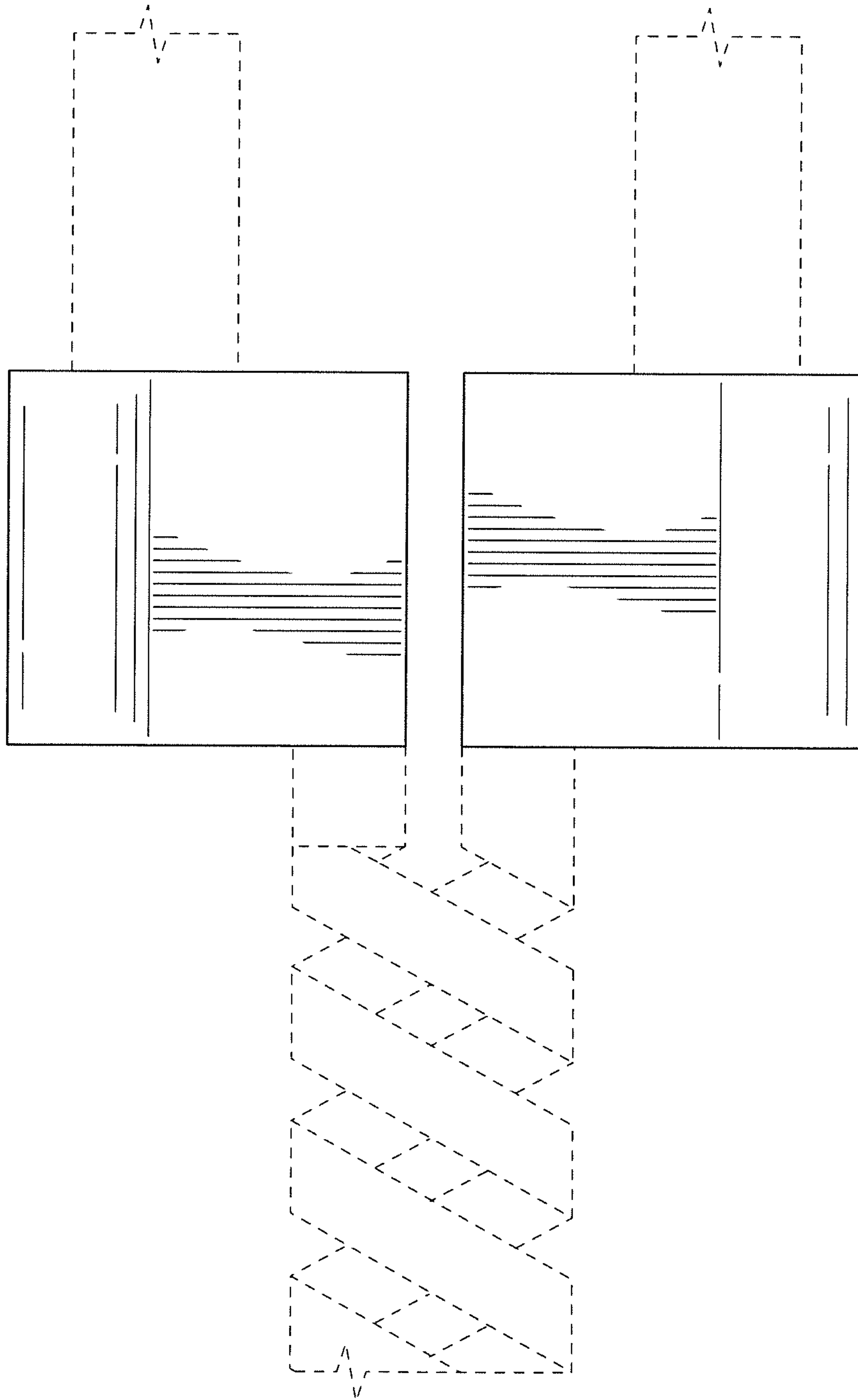


FIG. 3

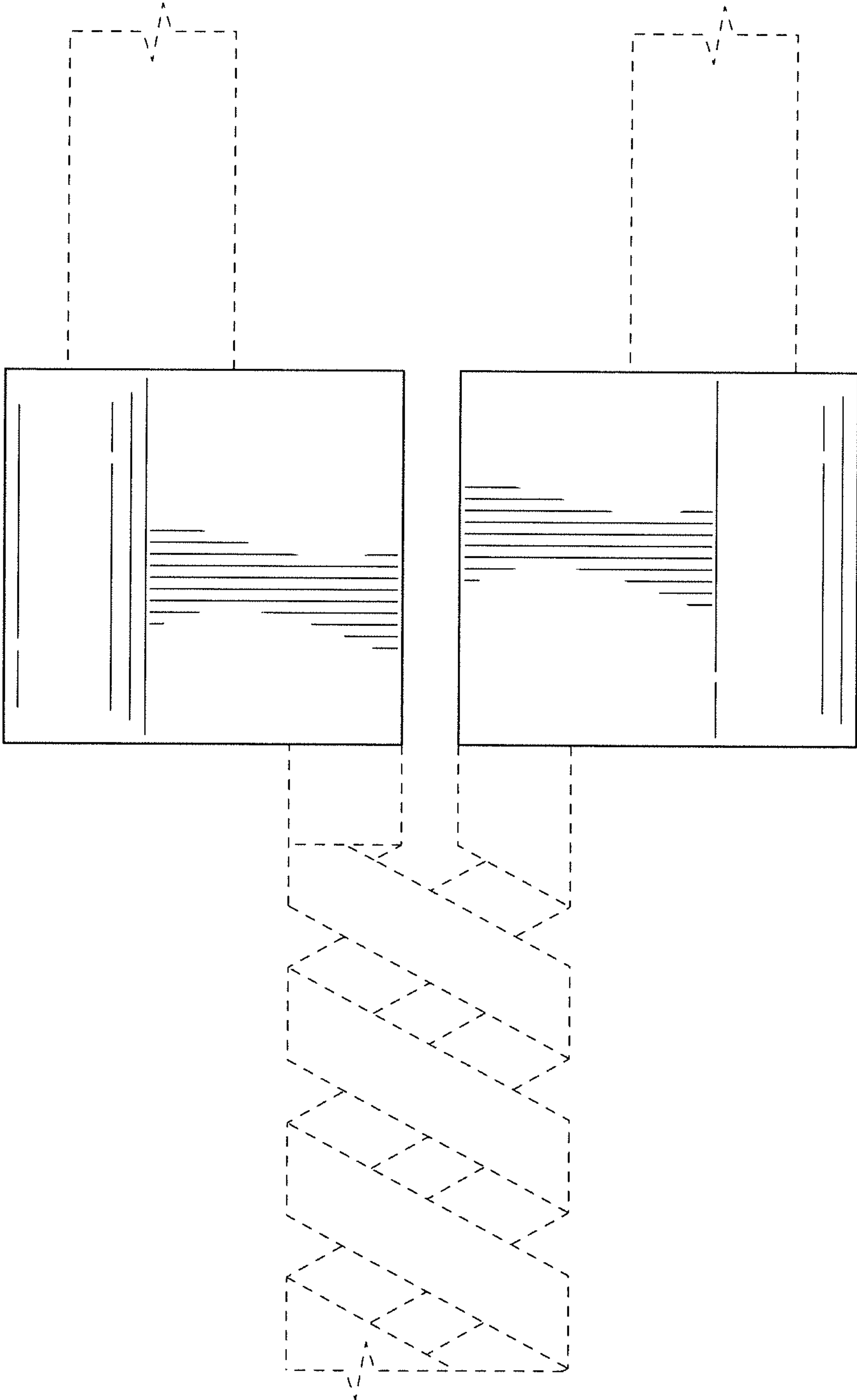


FIG. 4

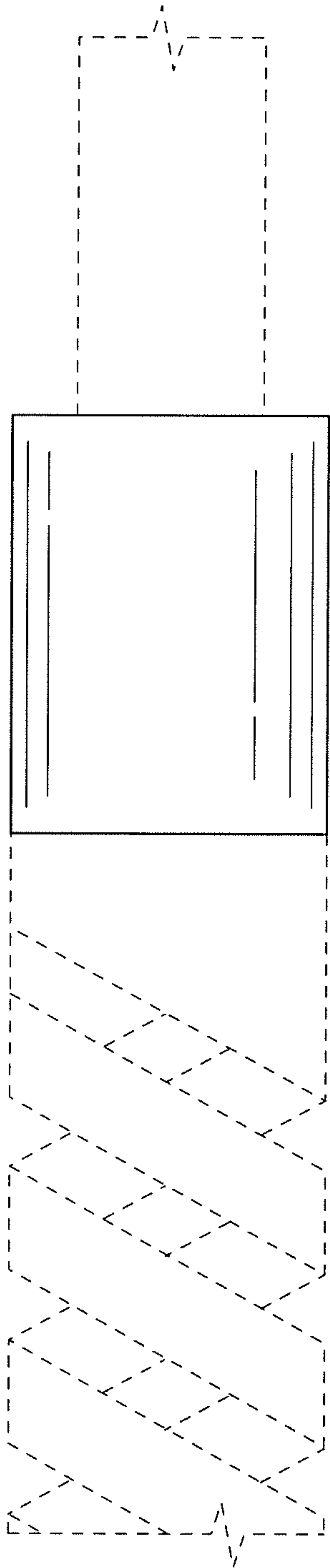


FIG. 5

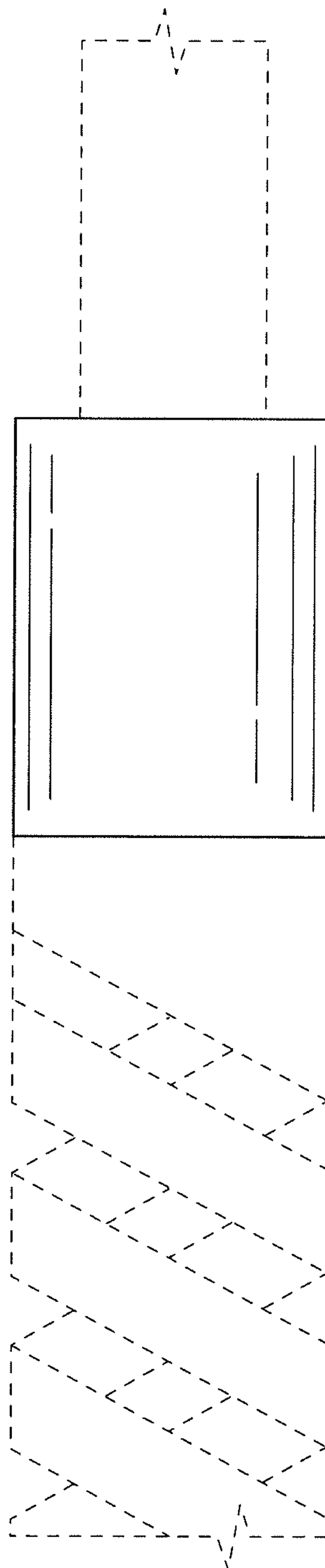


FIG. 6

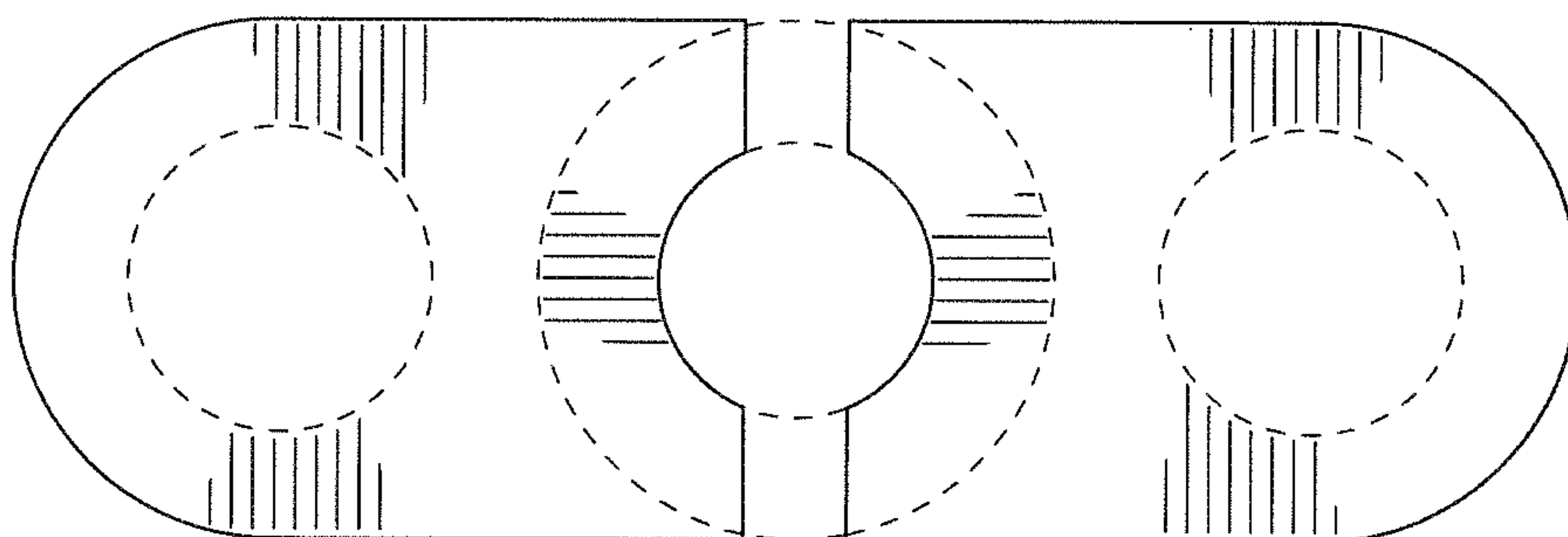


FIG. 7

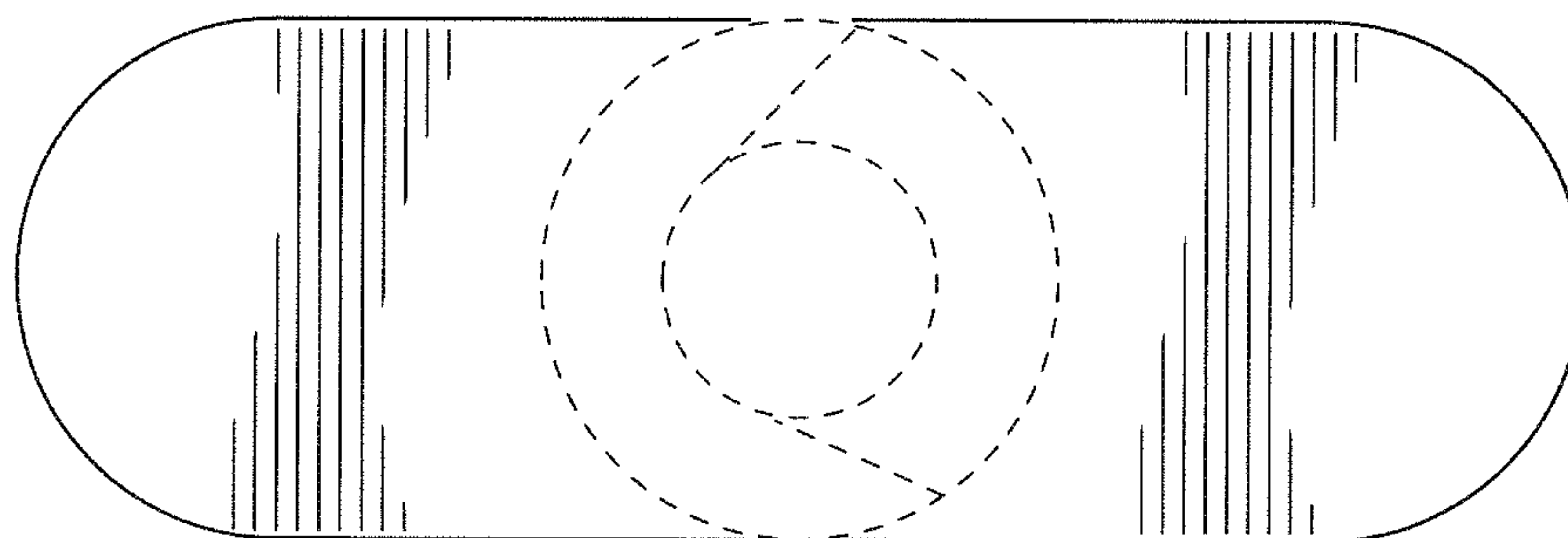


FIG. 8

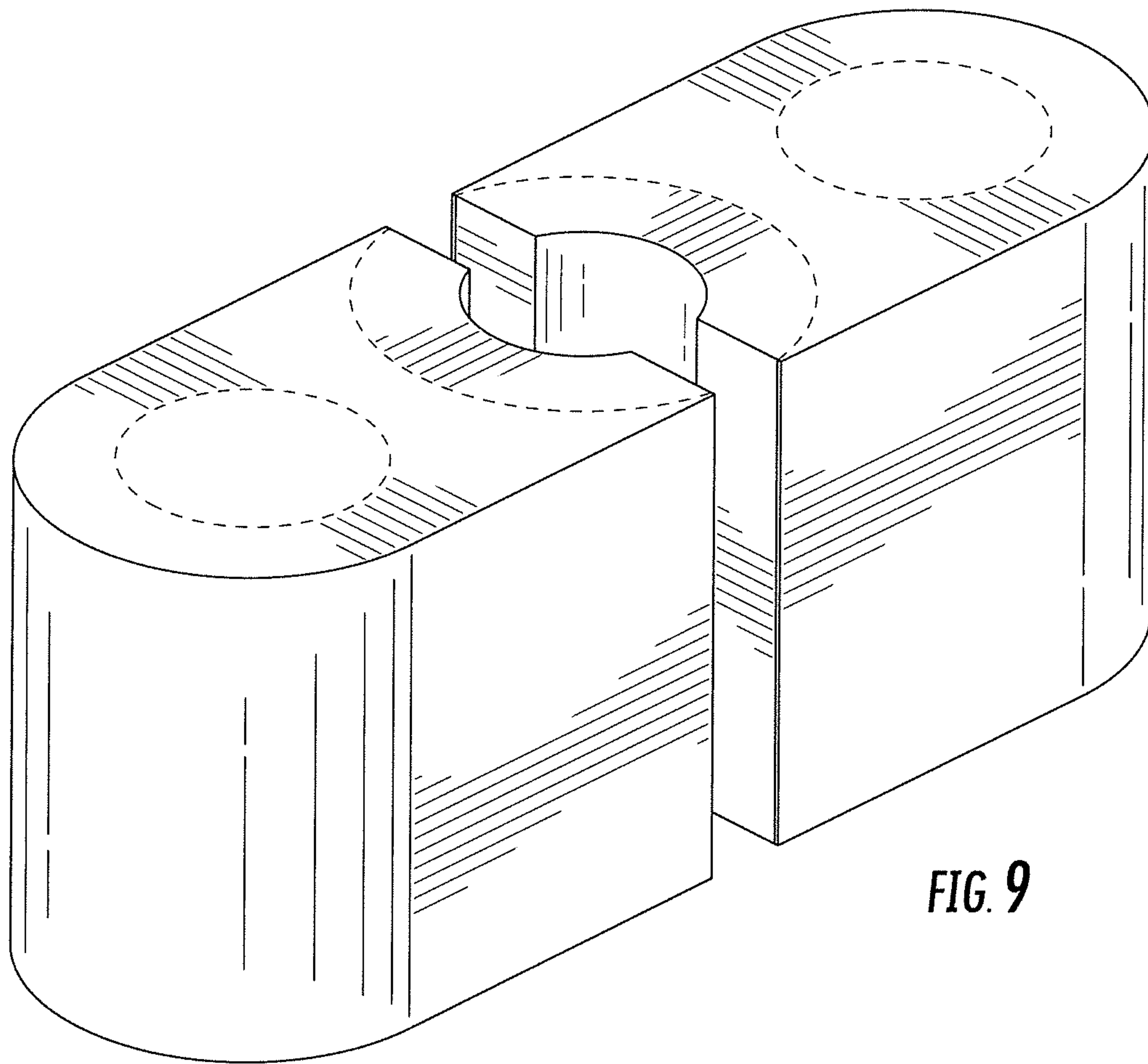


FIG. 9

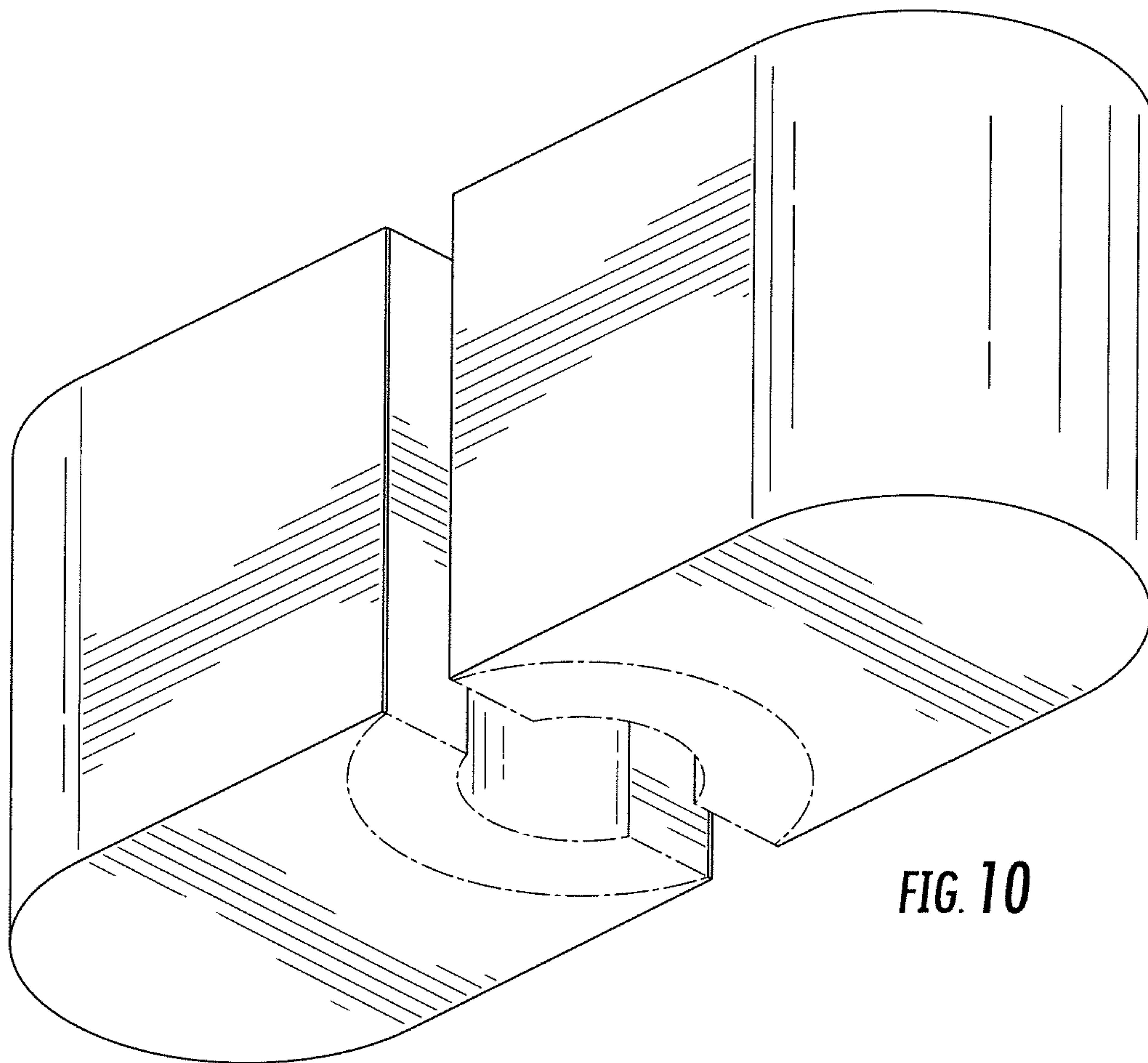


FIG. 10

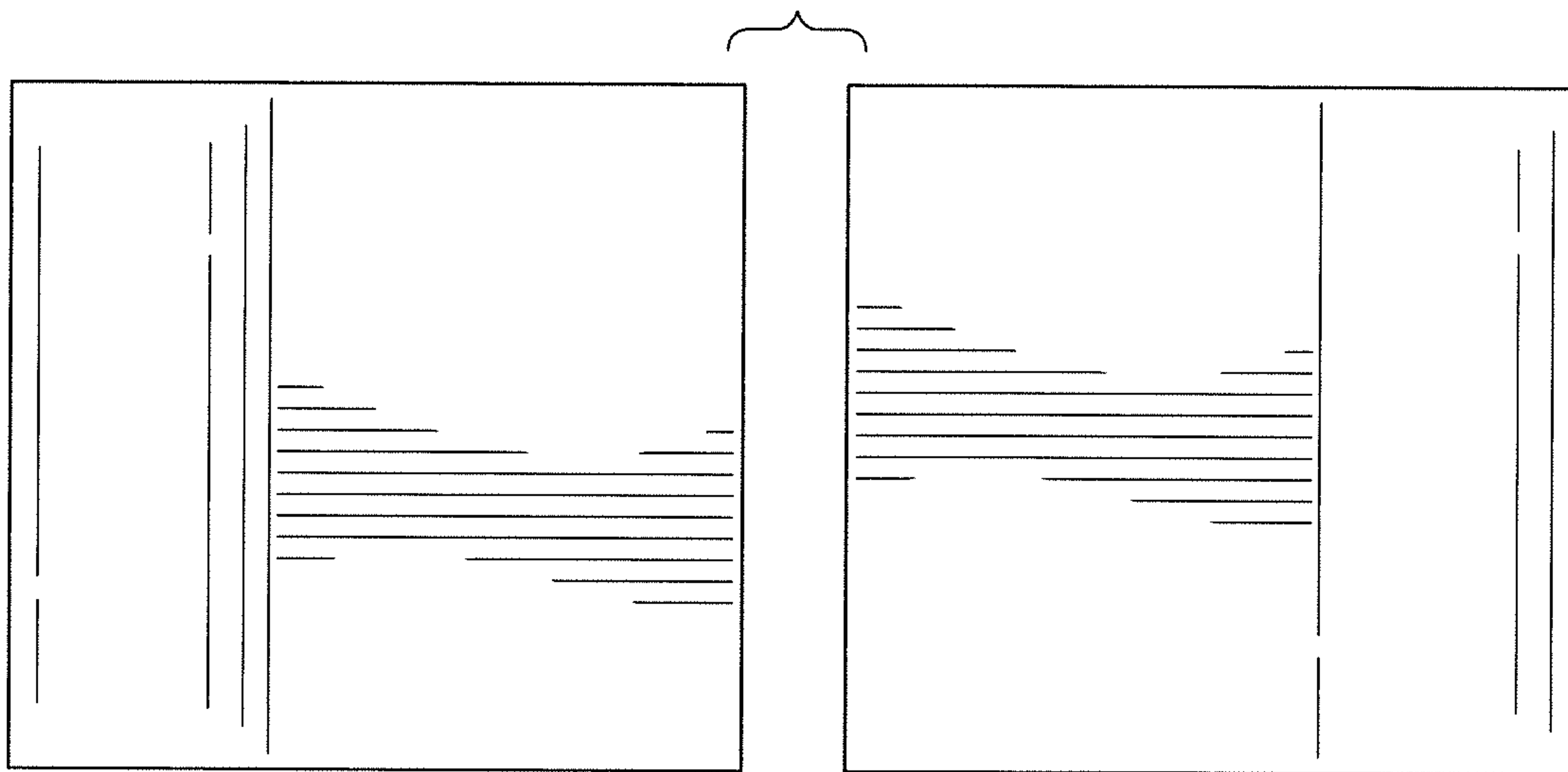


FIG. 11

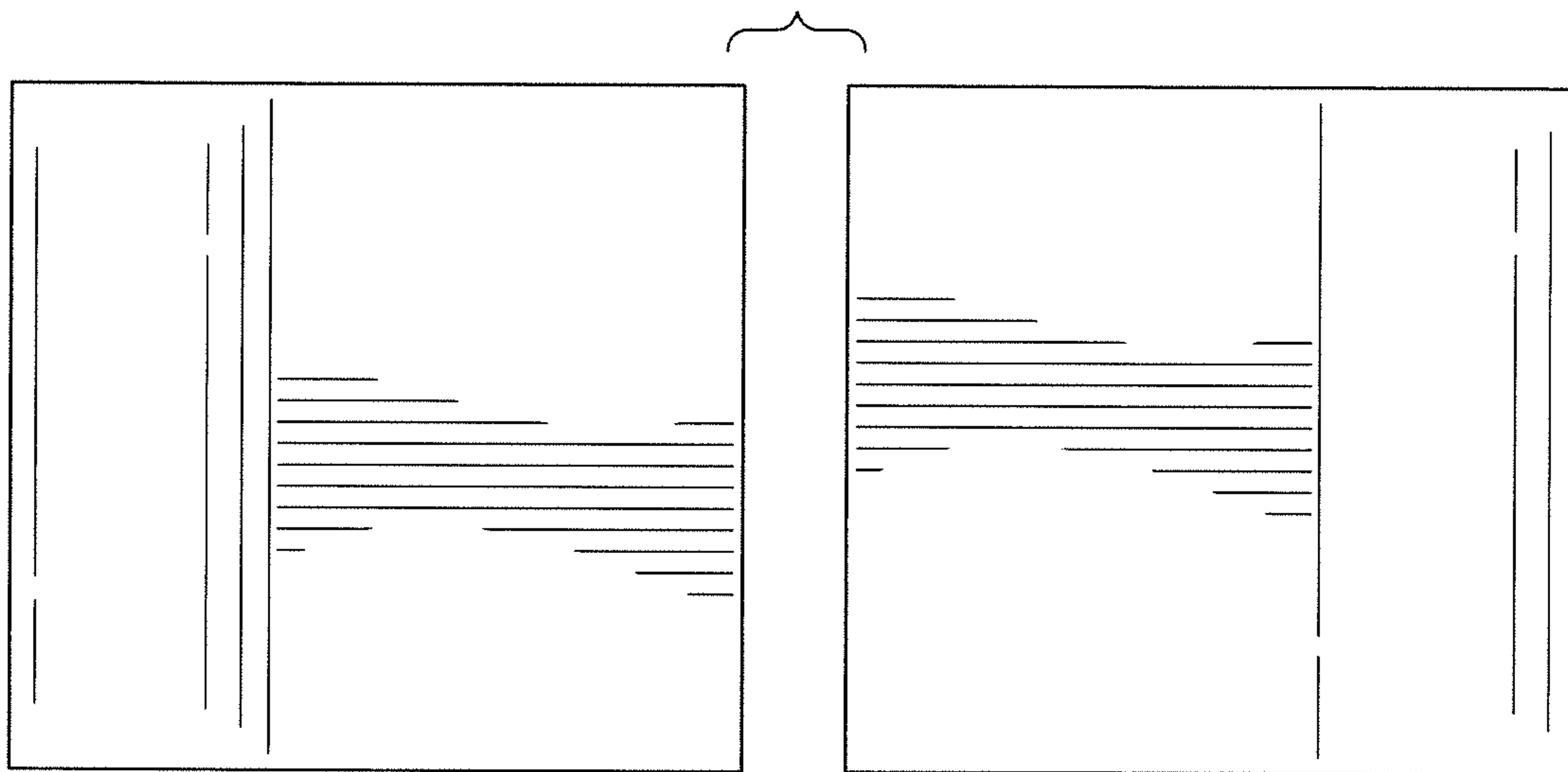


FIG. 12

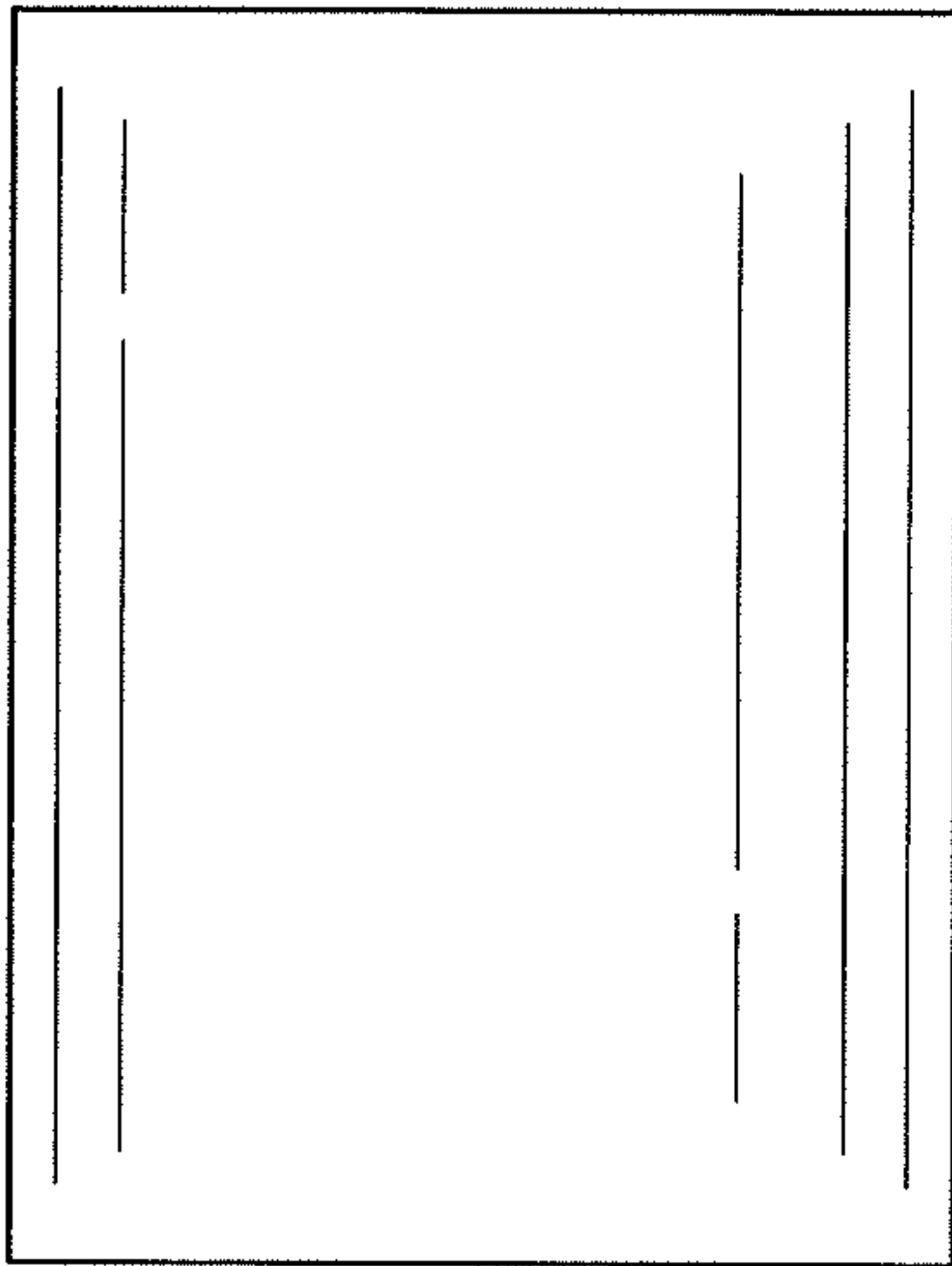


FIG. 13

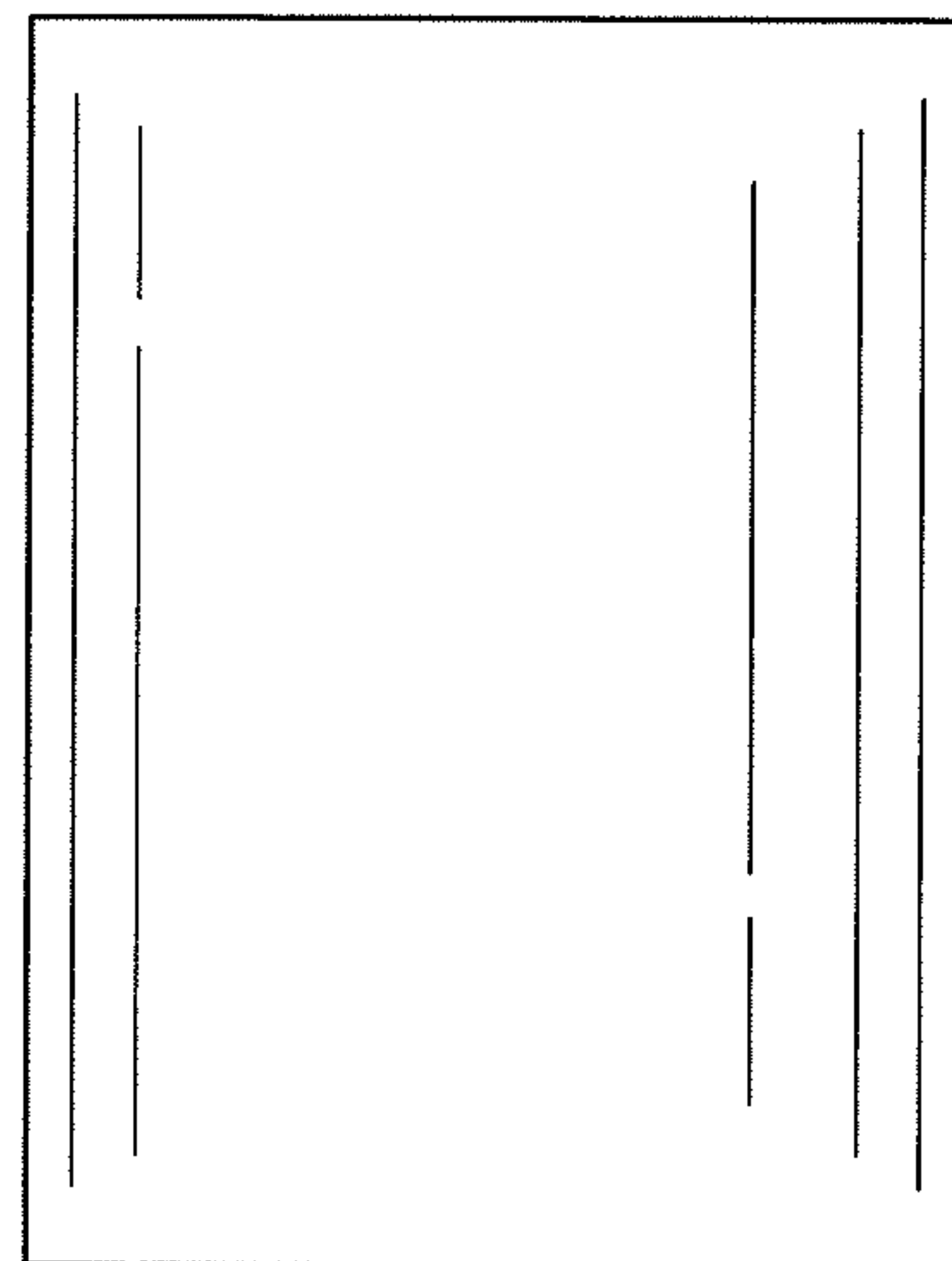


FIG. 14

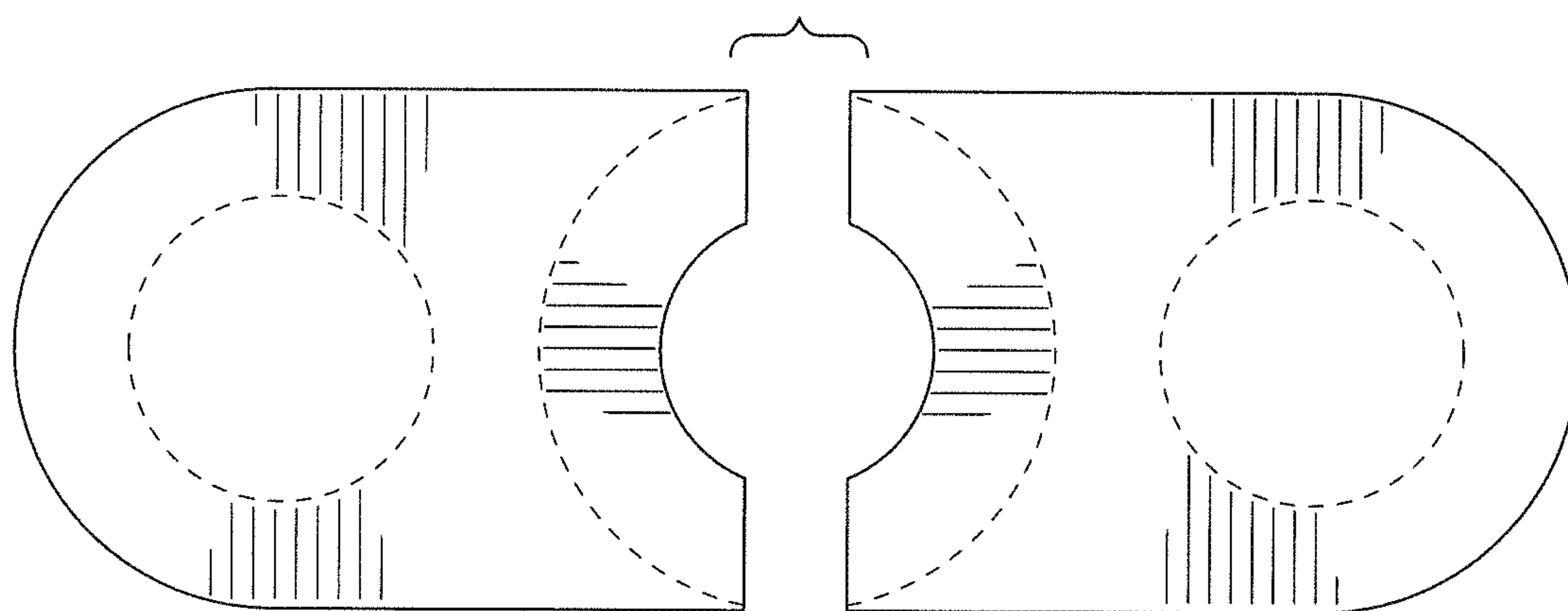


FIG. 15

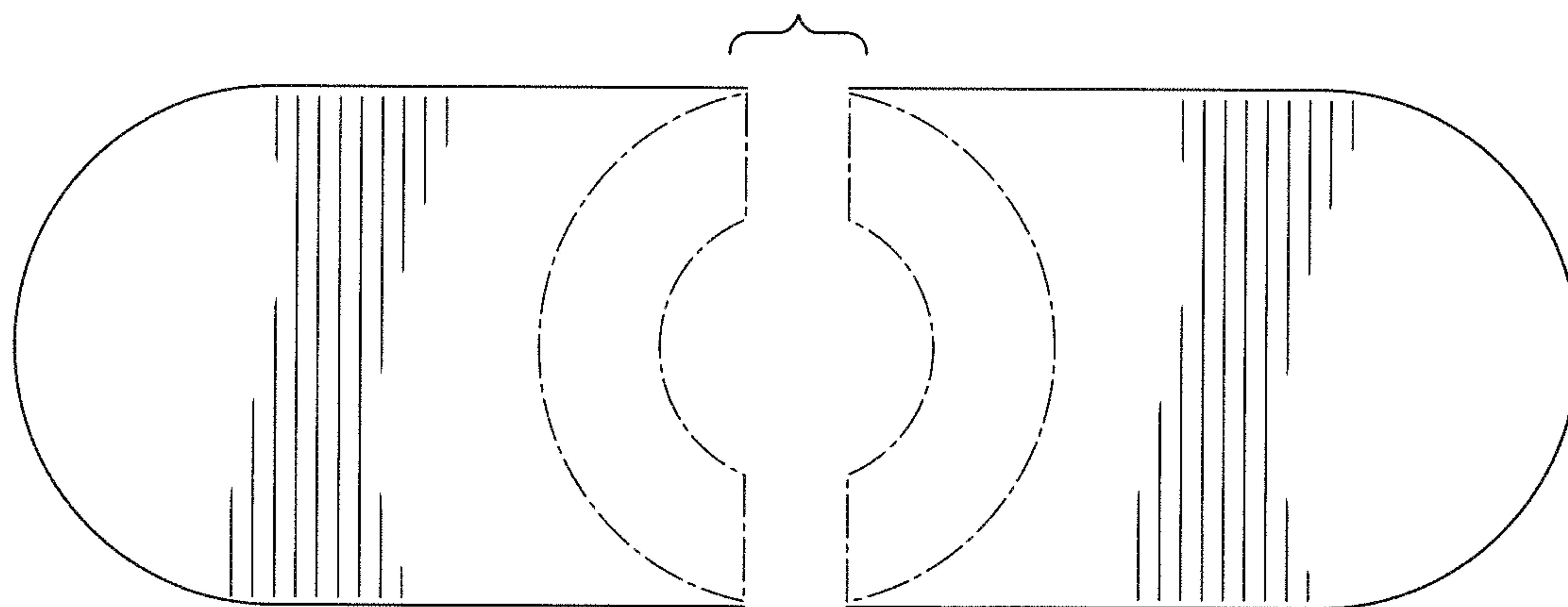


FIG. 16