



US00D881821S

(12) **United States Design Patent**
Lyu

(10) **Patent No.:** **US D881,821 S**
(45) **Date of Patent:** **** Apr. 21, 2020**

(54) **POWER STRIP**

DESCRIPTION

(71) Applicant: **Shaopeng Lyu**, Shantou (CN)
(72) Inventor: **Shaopeng Lyu**, Shantou (CN)
(**) Term: **15 Years**
(21) Appl. No.: **29/715,507**
(22) Filed: **Dec. 3, 2019**
(51) **LOC (12) Cl.** **13-03**
(52) **U.S. Cl.**
USPC **D13/139.8**
(58) **Field of Classification Search**
USPC D13/139.1–139.8, 110, 137.1–137.4;
D14/168
CPC H01R 13/6335; H01L 23/3672; H01L
23/4093; H01L 23/467
See application file for complete search history.

FIG. 1 is a first perspective view of a first embodiment of a power strip showing my new design;
FIG. 2 is a second perspective view of the first embodiment thereof;
FIG. 3 is a front view of the first embodiment thereof;
FIG. 4 is a back view of the first embodiment thereof;
FIG. 5 is a left side view of the first embodiment thereof;
FIG. 6 is a right side view of the first embodiment thereof;
FIG. 7 is a top view of the first embodiment thereof;
FIG. 8 is a bottom view of the first embodiment thereof;
FIG. 9 is a first perspective view of a second embodiment of a power strip showing my new design;
FIG. 10 is a second perspective view of the second embodiment thereof;
FIG. 11 is a front view of the second embodiment thereof;
FIG. 12 is a back view of the second embodiment thereof;
FIG. 13 is a left side view of the second embodiment thereof;
FIG. 14 is a right side view of the second embodiment thereof;
FIG. 15 is a top view of the second embodiment thereof;
FIG. 16 is a bottom view of the second embodiment thereof;
FIG. 17 is a first perspective view of a third embodiment of a power strip showing my new design;
FIG. 18 is a second perspective view of the third embodiment thereof;
FIG. 19 is a front view of the third embodiment thereof;
FIG. 20 is a back view of the third embodiment thereof;
FIG. 21 is a left side view of the third embodiment thereof;
FIG. 22 is a right side view of the third embodiment thereof;
FIG. 23 is a top view of the third embodiment thereof; and
FIG. 24 is a bottom view of the third embodiment thereof.
The broken lines shown in the drawings depict portions of the power strip in which the design is embodied that form no part of the claimed design.

(56) **References Cited**

U.S. PATENT DOCUMENTS

D354,731 S * 1/1995 Lee D13/139.8
D409,978 S * 5/1999 Stekelenburg D13/139.6
D435,516 S * 12/2000 Stekelenburg D13/139.8
D443,250 S * 6/2001 Lee D13/139.8
D446,189 S * 8/2001 Lee D13/139.8
D446,503 S * 8/2001 Lee D13/139.8

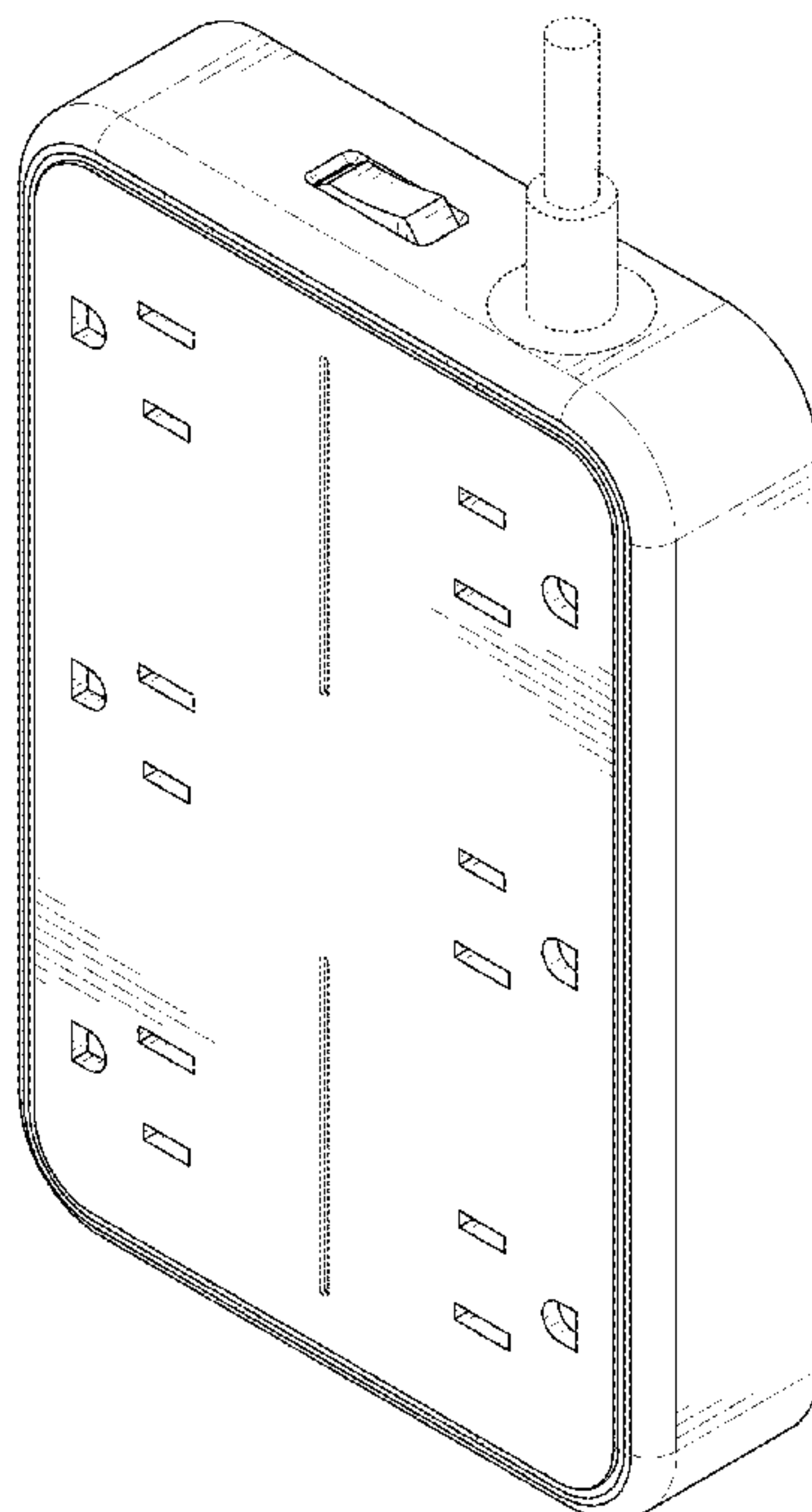
(Continued)

Primary Examiner — Rhea Shields
(74) *Attorney, Agent, or Firm* — HYIP

(57) **CLAIM**

The ornamental design for a power strip, as shown and described.

1 Claim, 24 Drawing Sheets



(56)

References Cited

U.S. PATENT DOCUMENTS

D458,225	S	*	6/2002	Stekelenburg	D13/139.8
D467,875	S	*	12/2002	Barger	D13/139.8
D484,098	S	*	12/2003	Lee	D13/139.8
D537,040	S	*	2/2007	Chesebro	D13/139.8
D554,064	S	*	10/2007	Ng	D13/139.8
D576,553	S	*	9/2008	Lee	D13/139.6
D581,873	S	*	12/2008	Zhou	D13/139.6
D644,180	S	*	8/2011	Lee	D13/139.8
D662,056	S		6/2012	Lee et al.	
D673,503	S	*	1/2013	Lee	D13/139.8
D705,732	S		5/2014	Lee et al.	
D775,081	S	*	12/2016	Xu	D13/139.6
D796,445	S		9/2017	Xu	

* cited by examiner

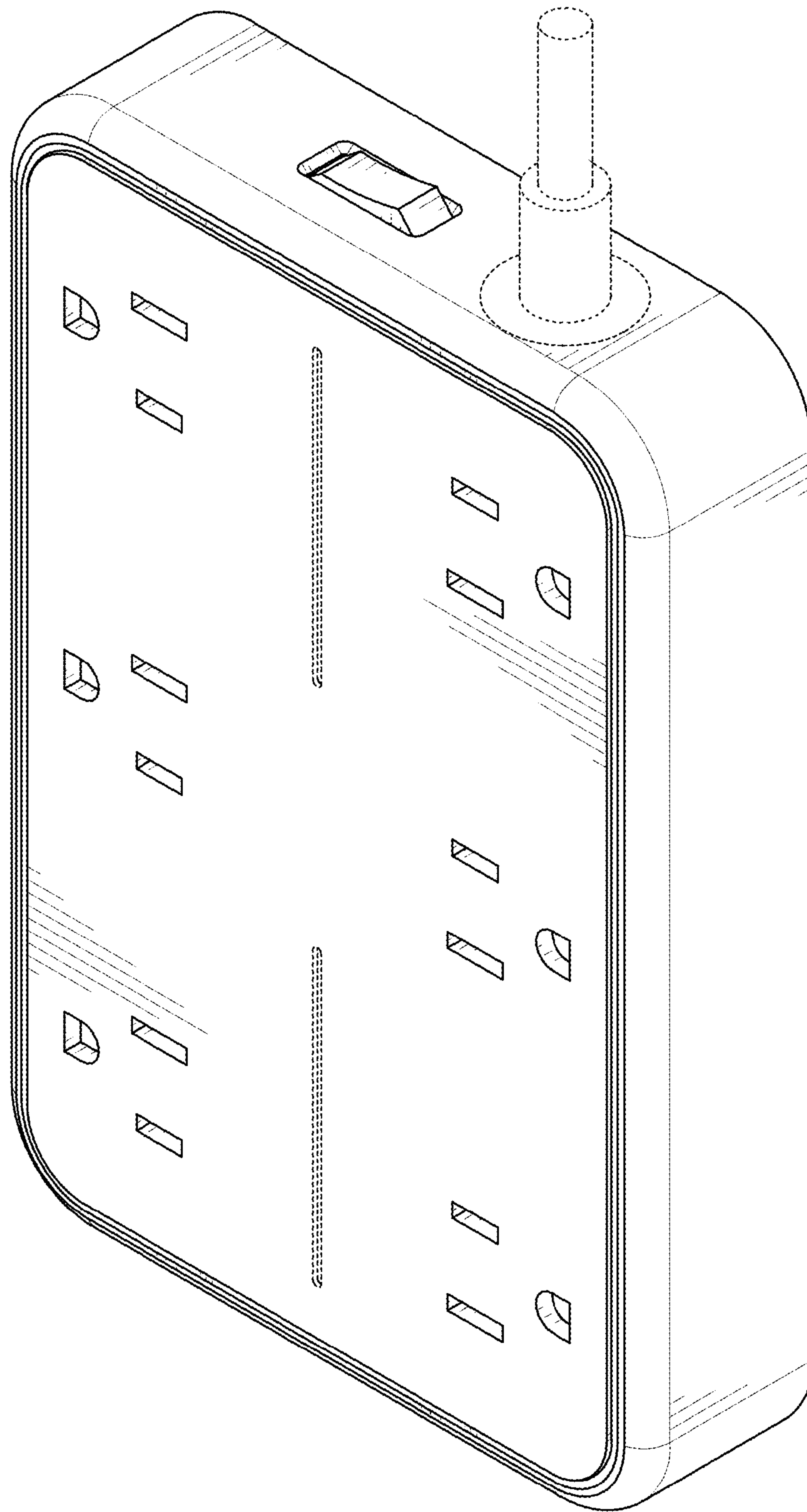


FIG. 1

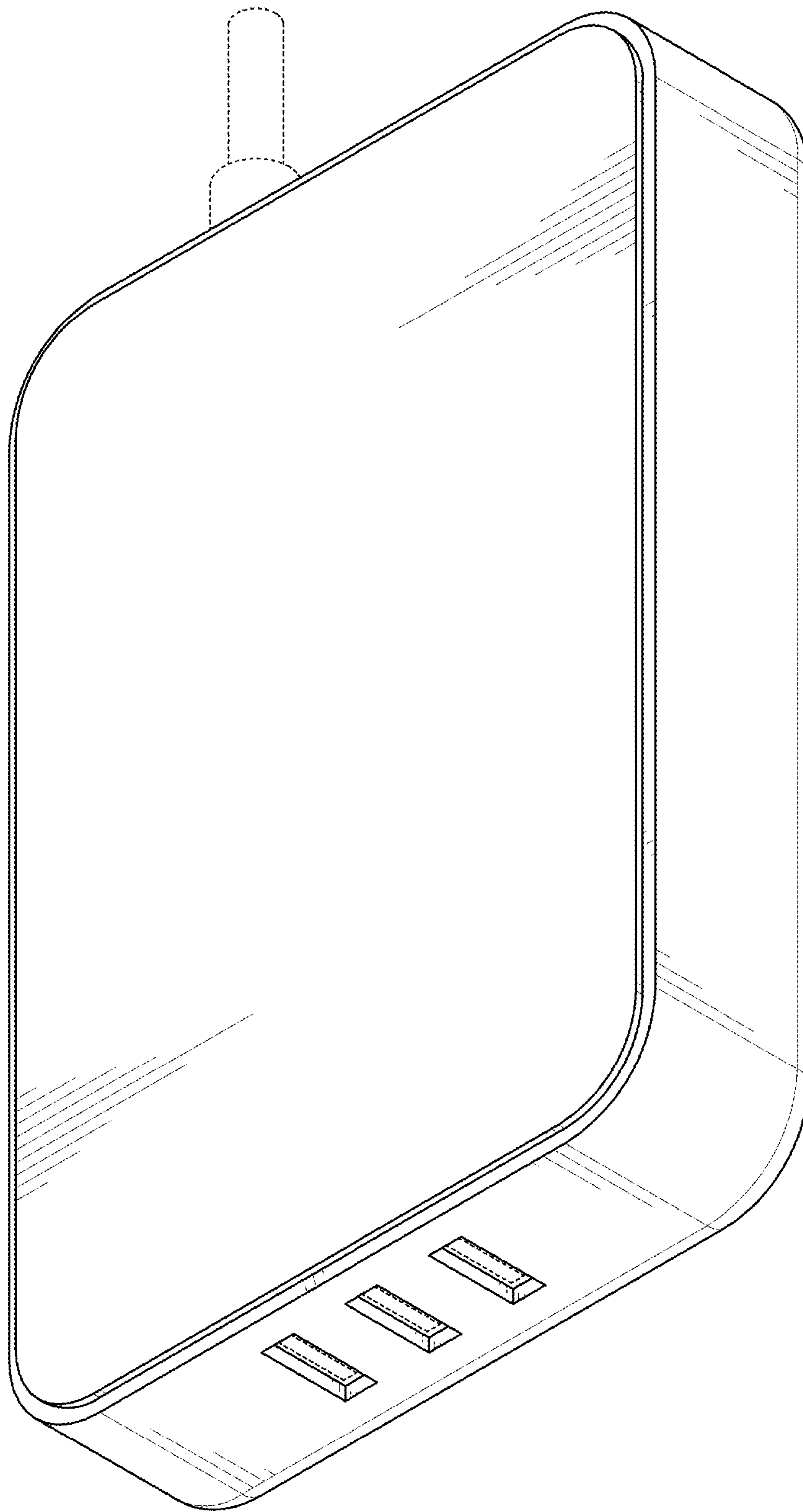


FIG. 2

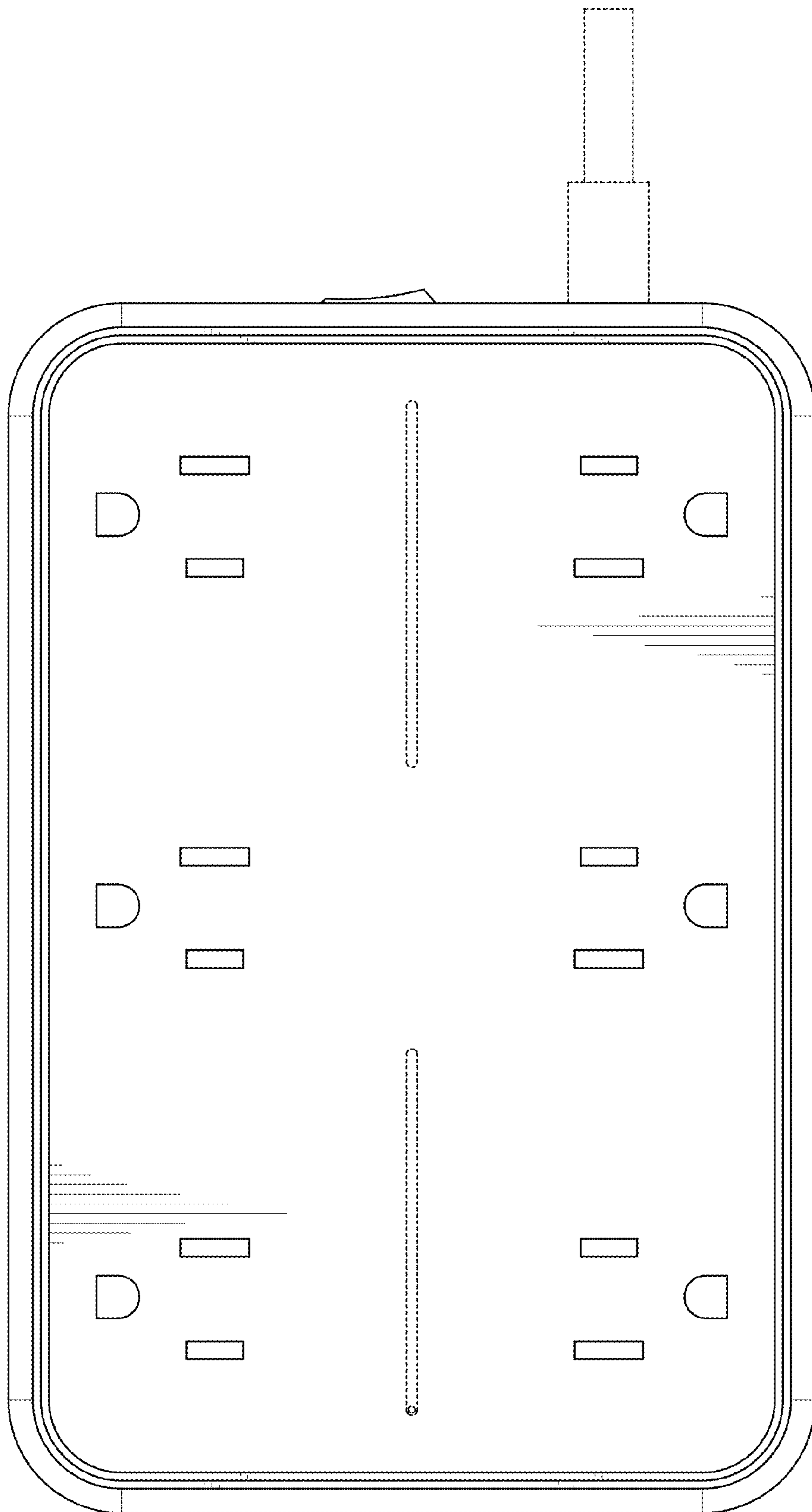


FIG. 3

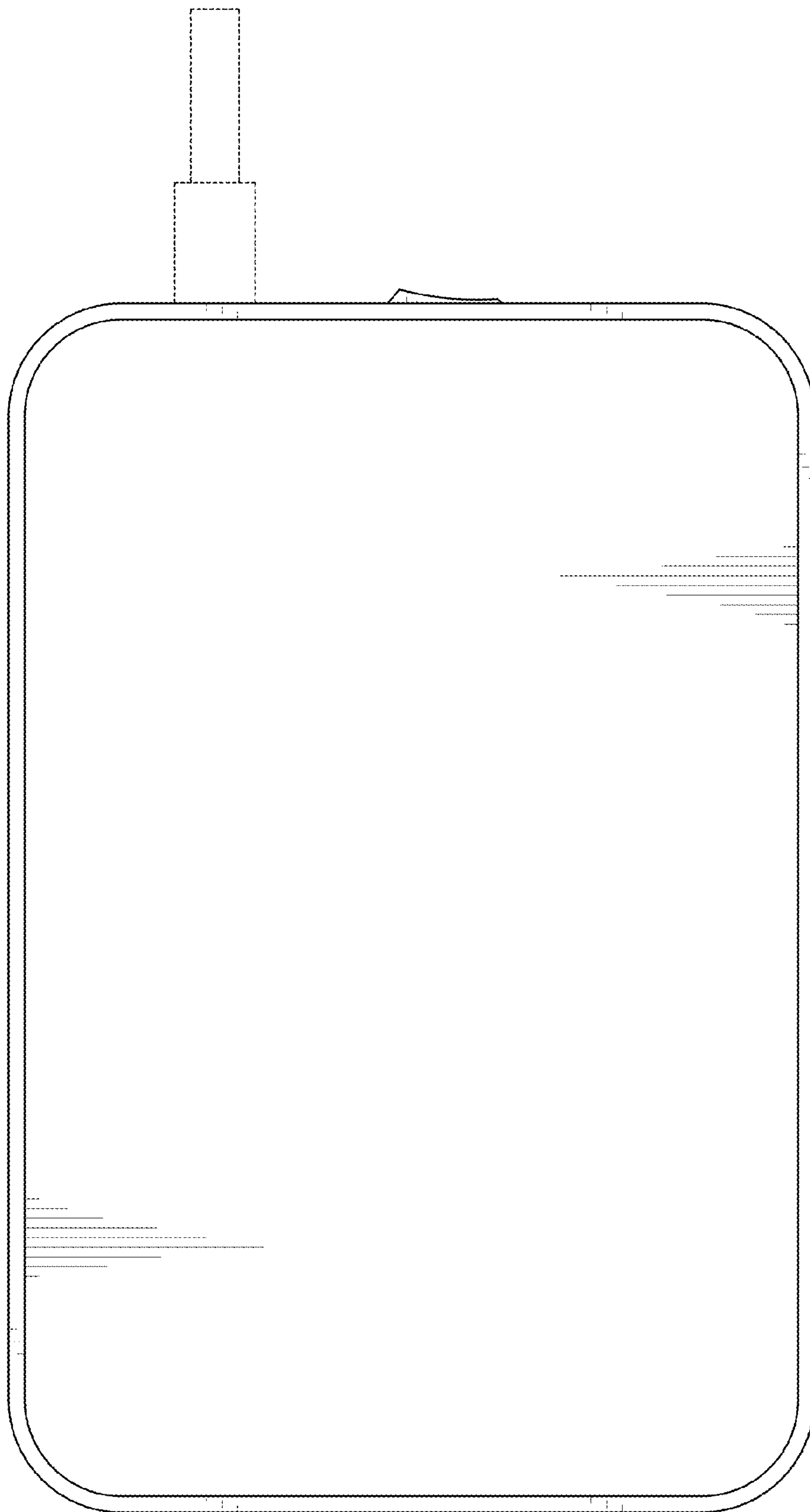


FIG. 4

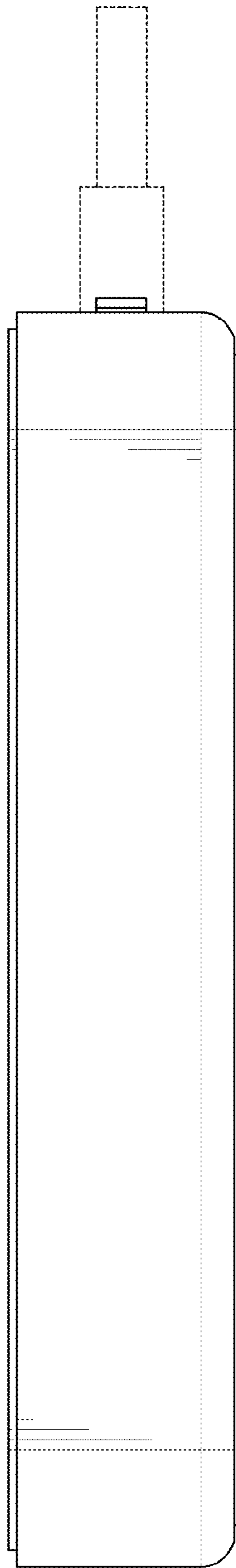


FIG. 5

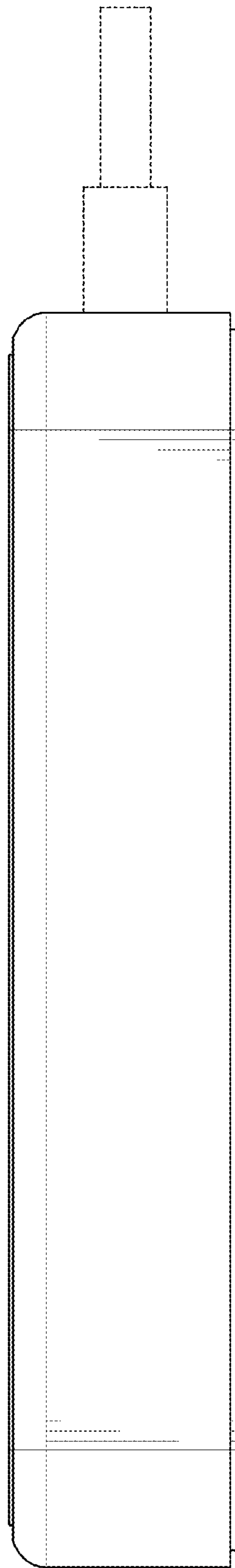


FIG. 6

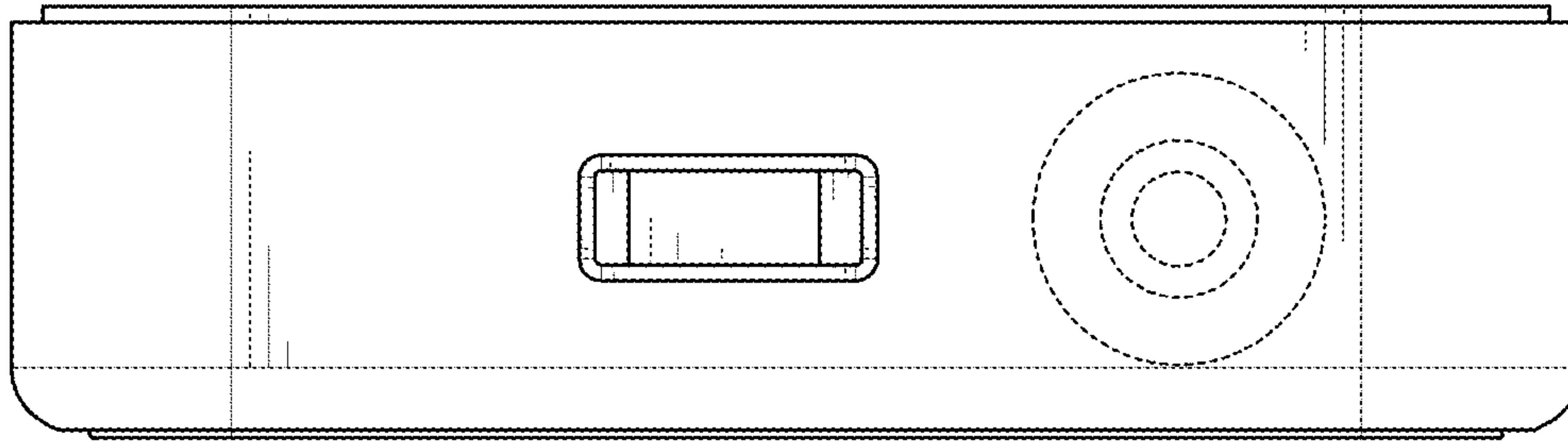


FIG. 7

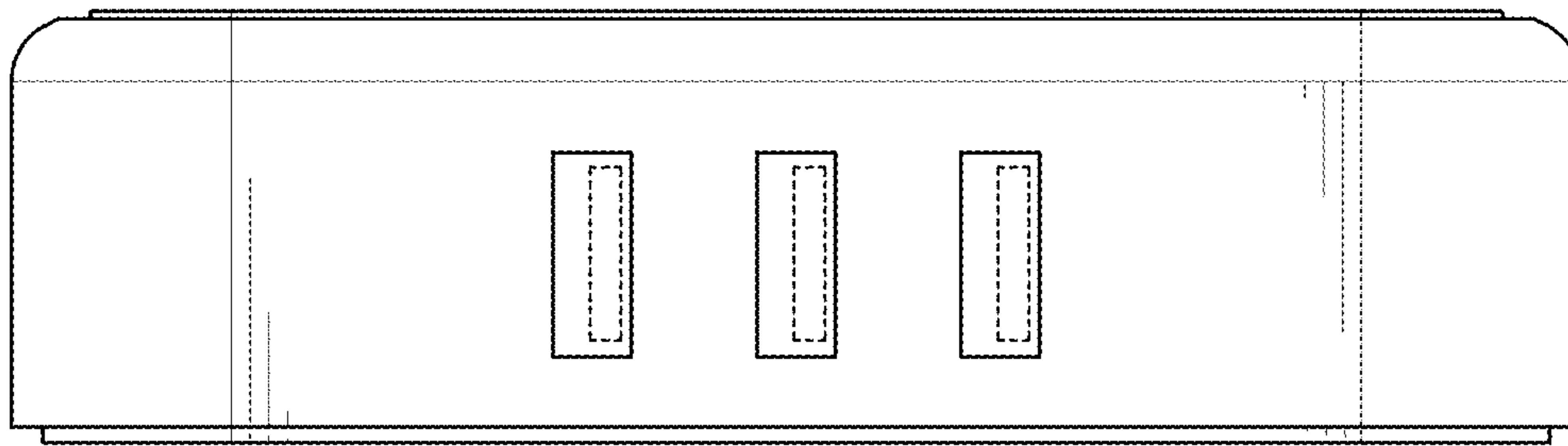


FIG. 8

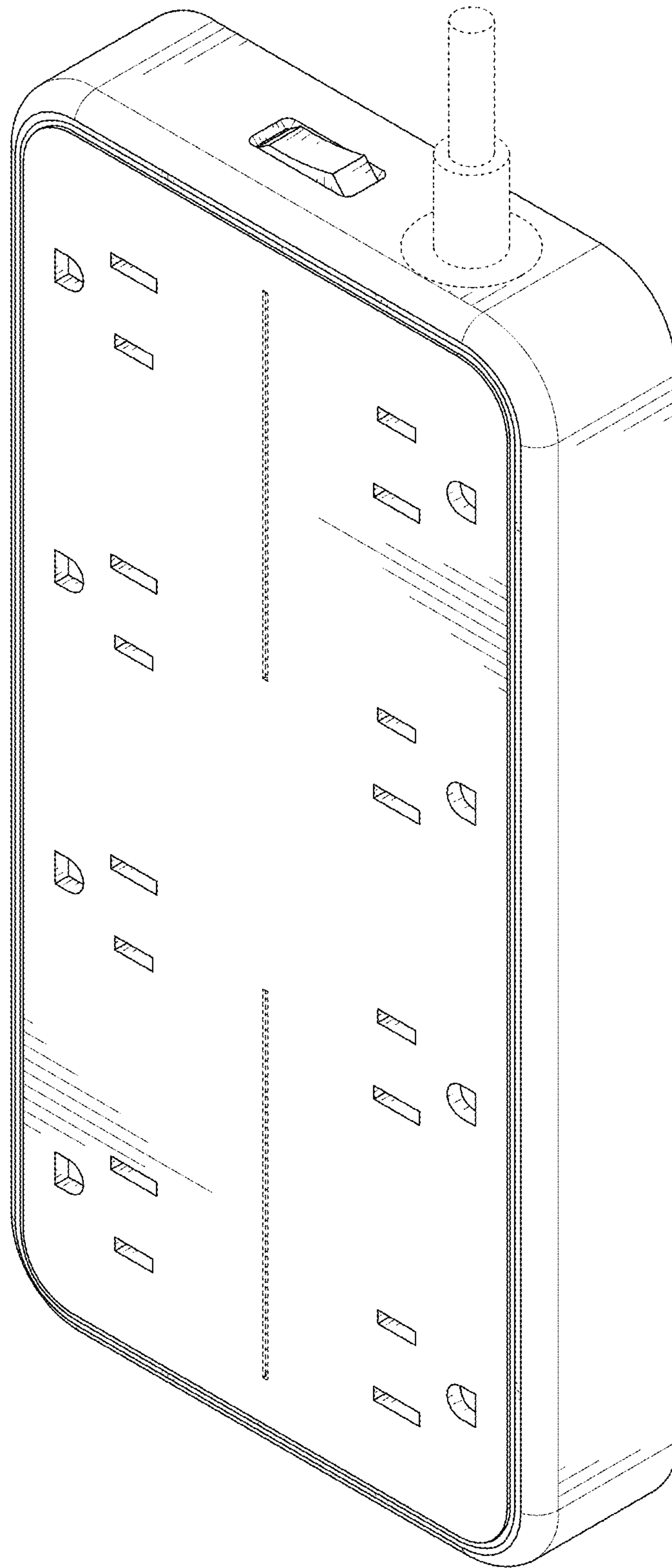


FIG. 9

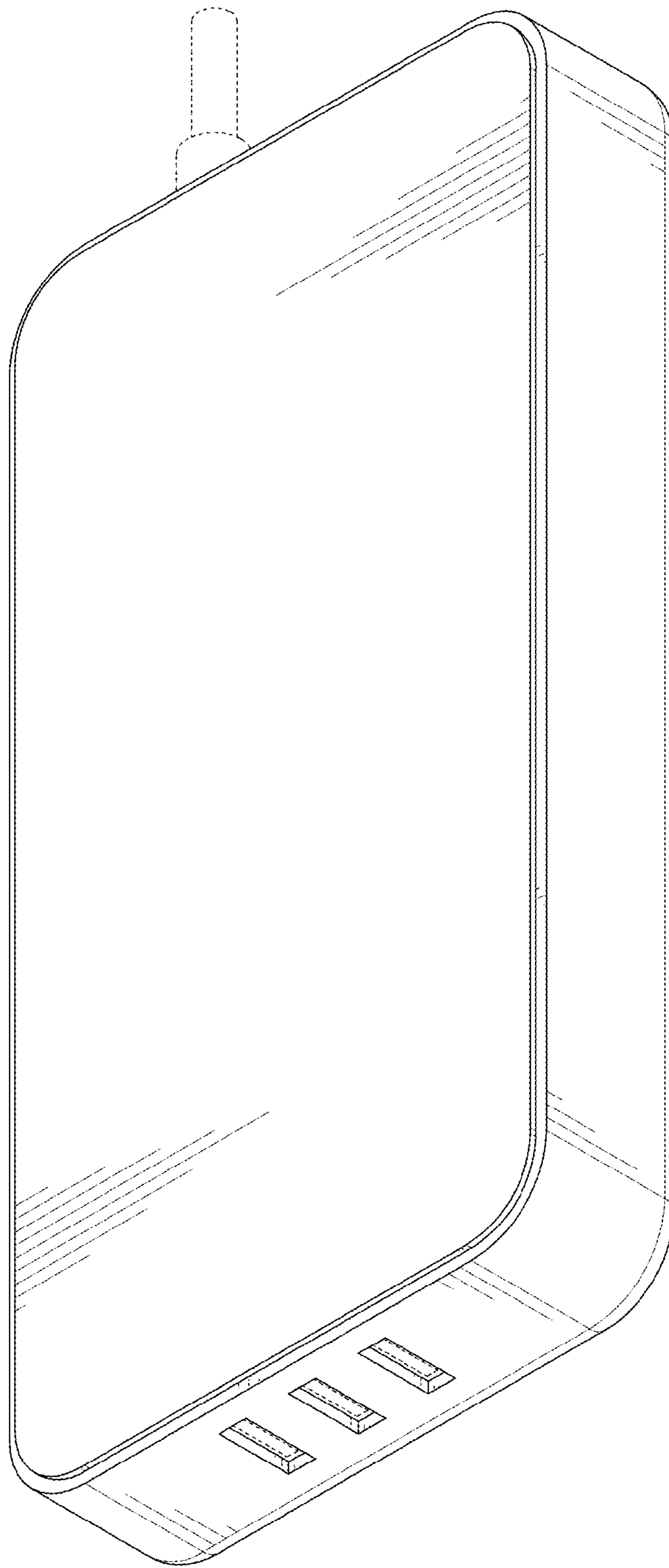


FIG. 10

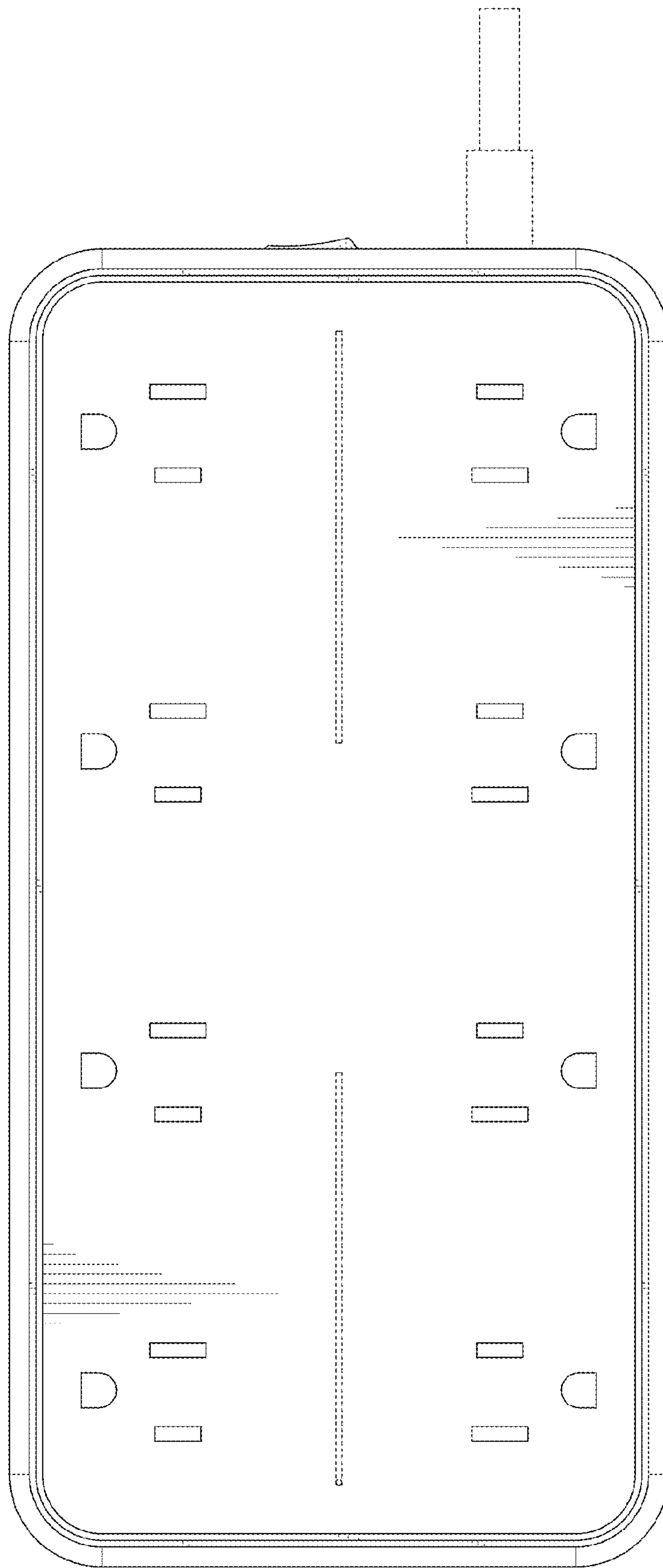


FIG. 11

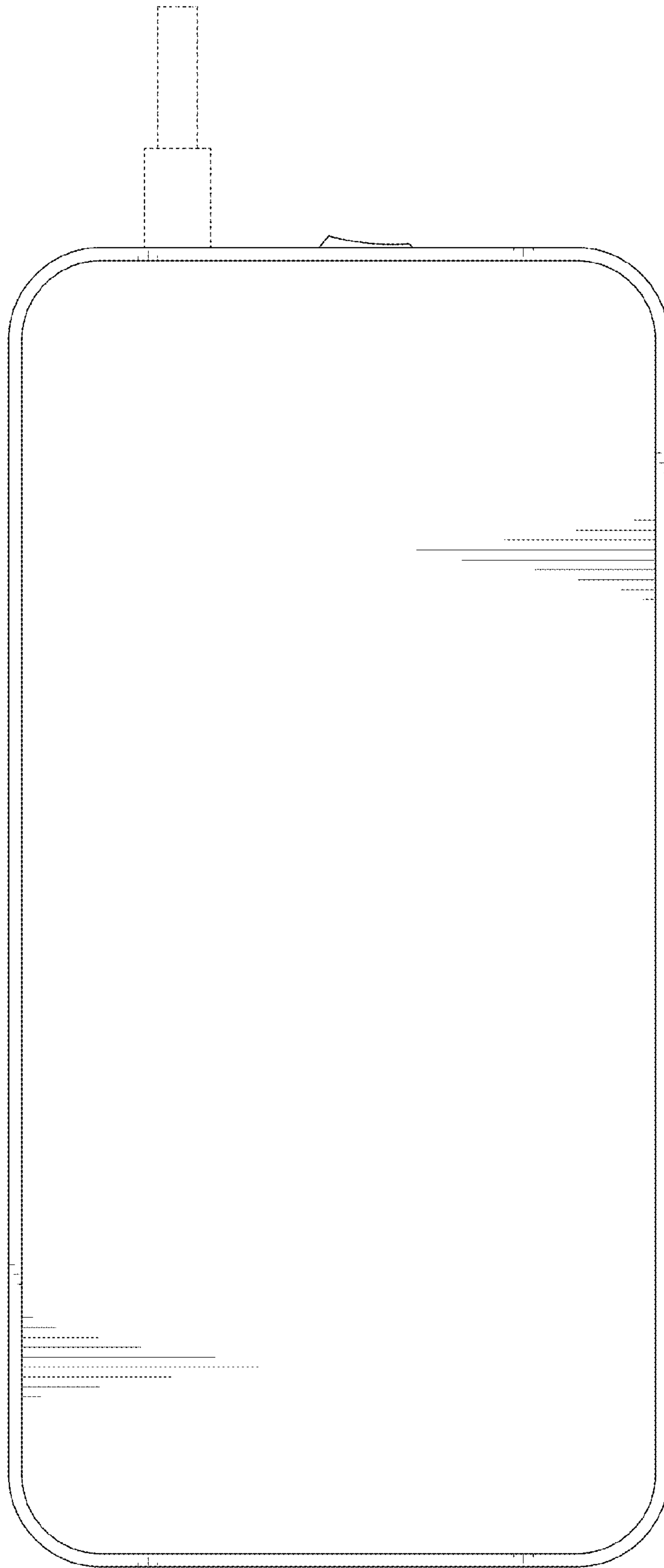


FIG. 12

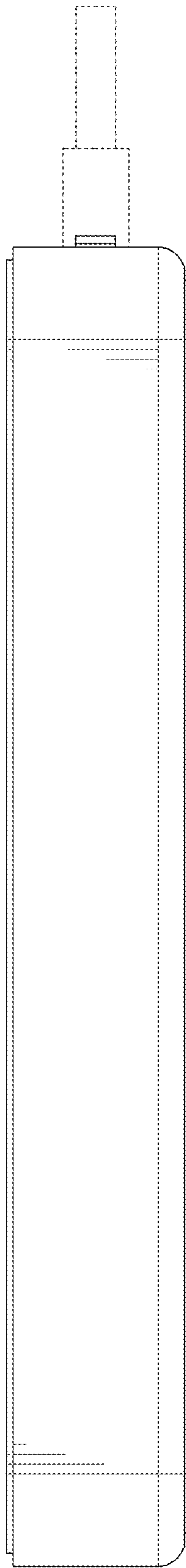


FIG. 13

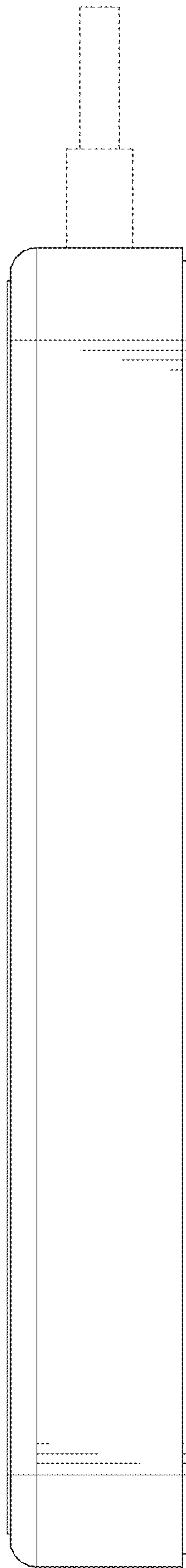


FIG. 14

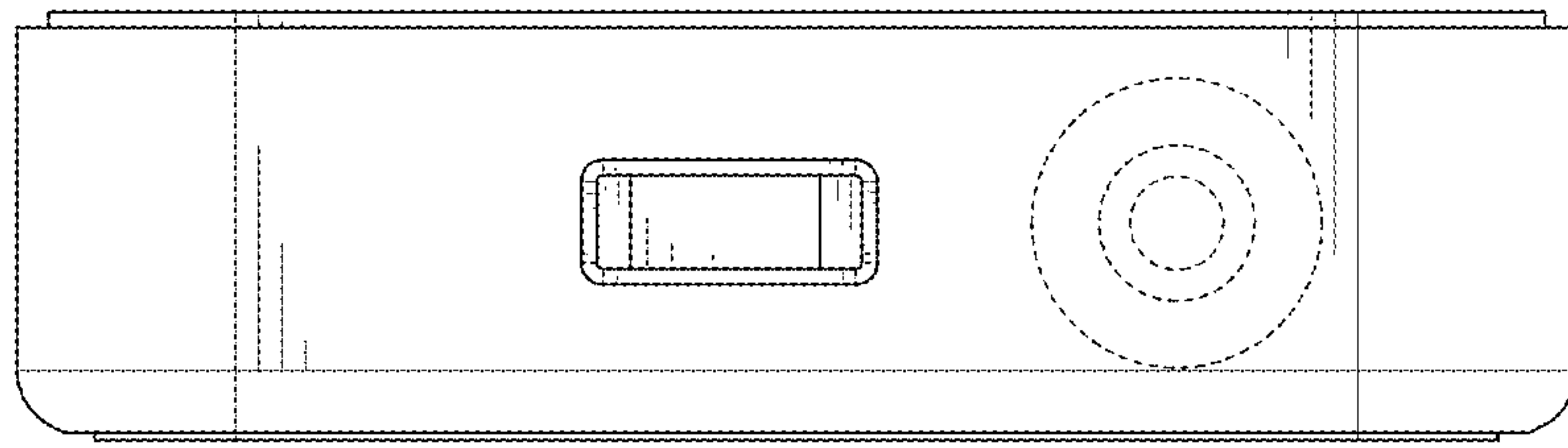


FIG. 15

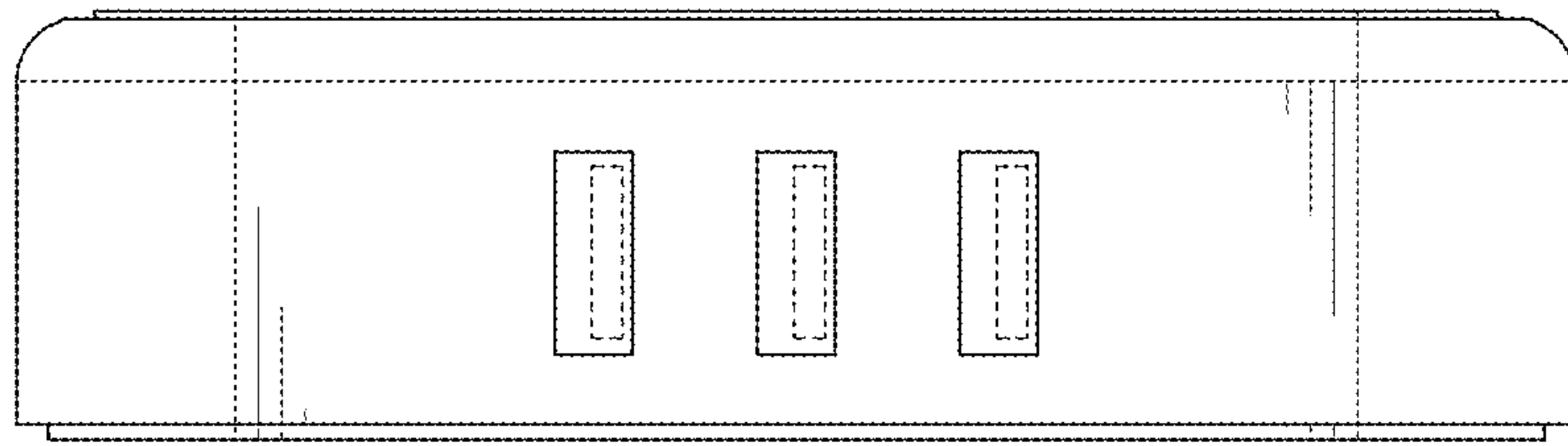


FIG. 16

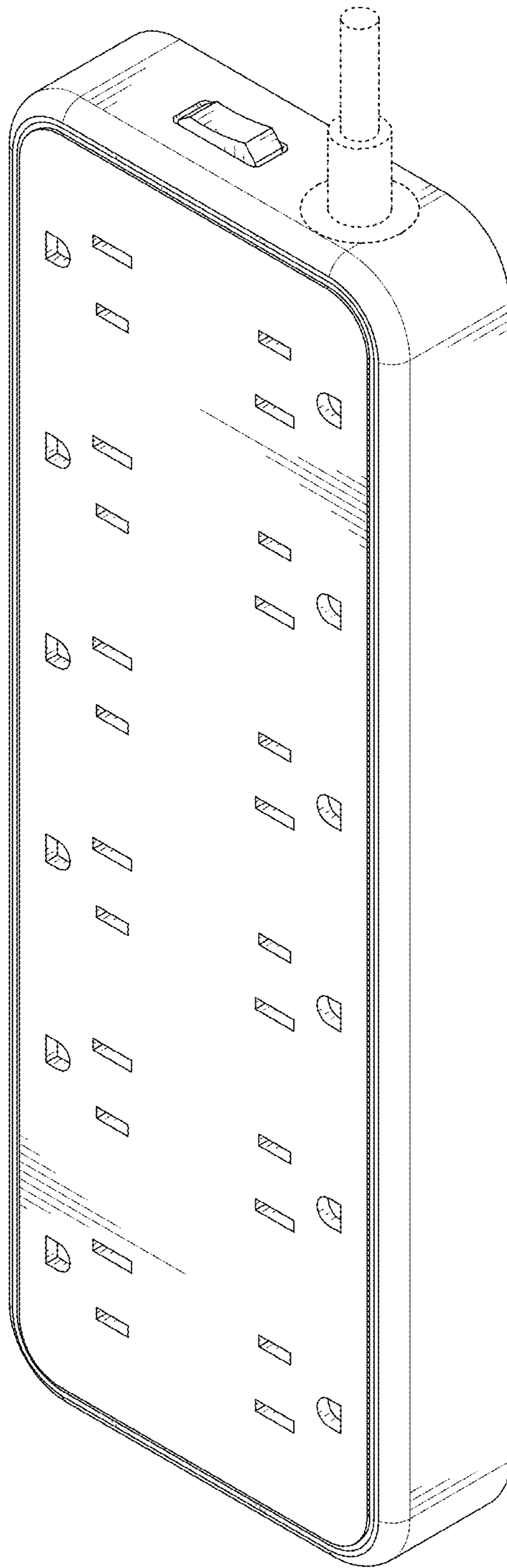


FIG. 17

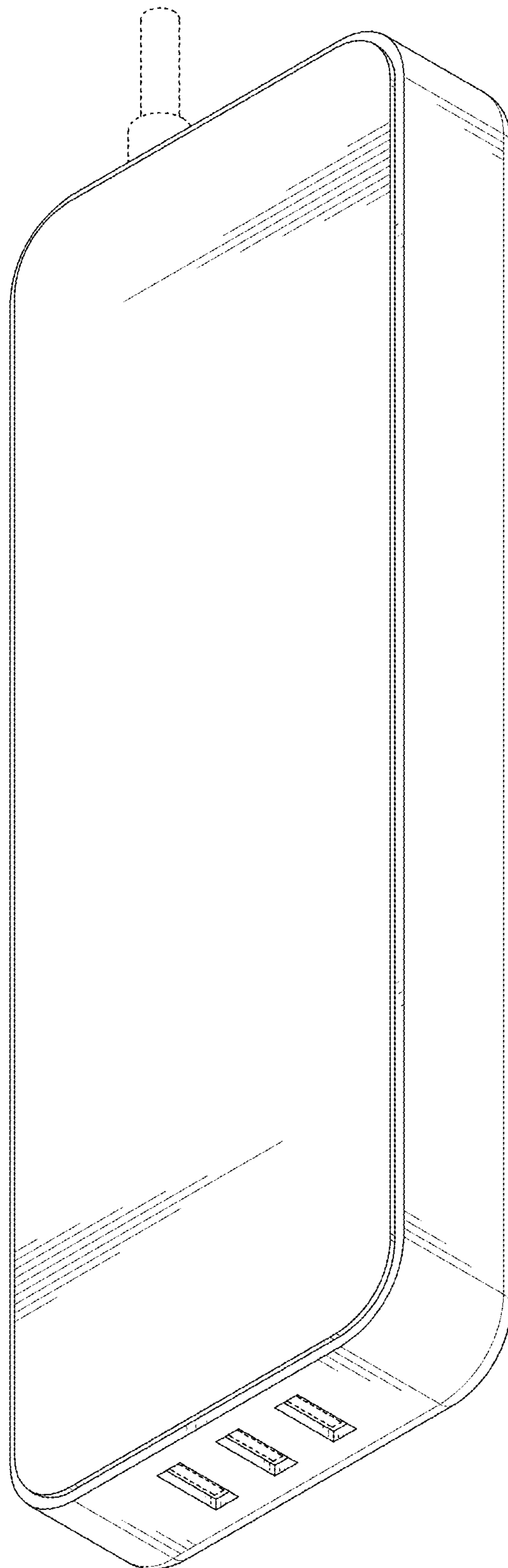


FIG. 18

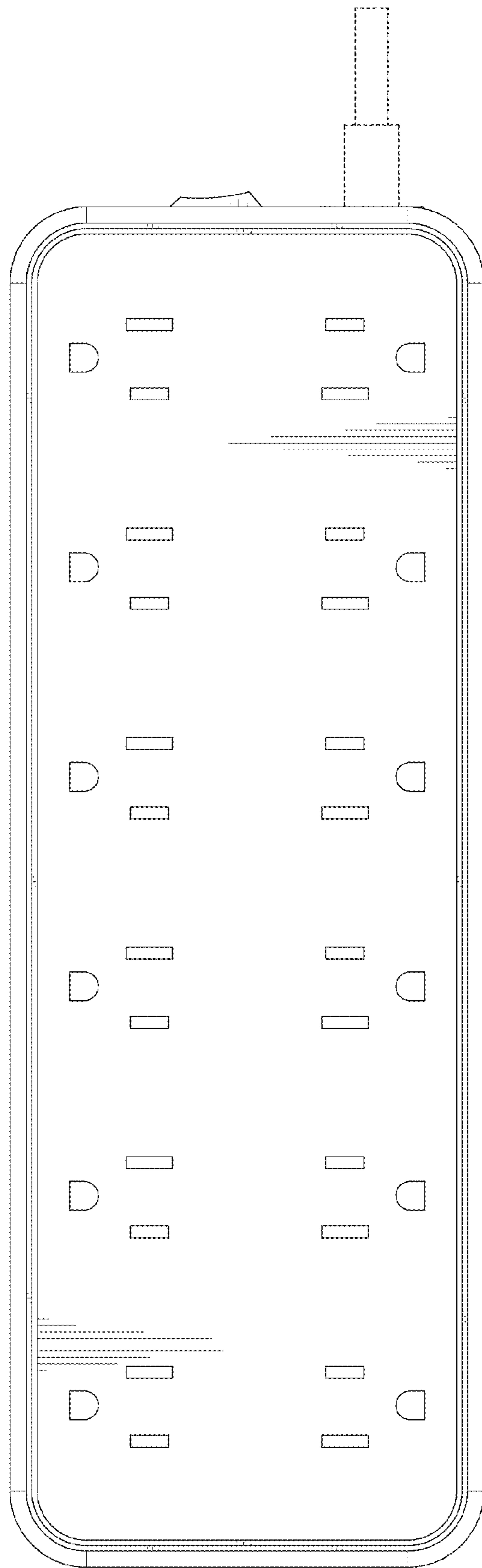


FIG. 19

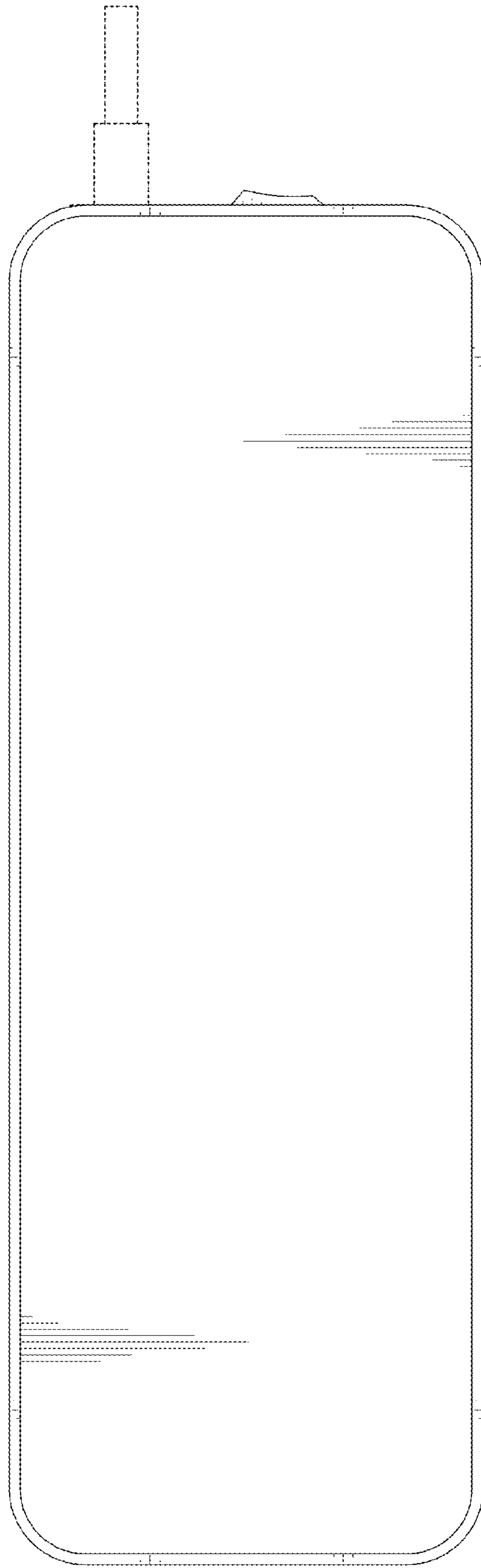


FIG. 20

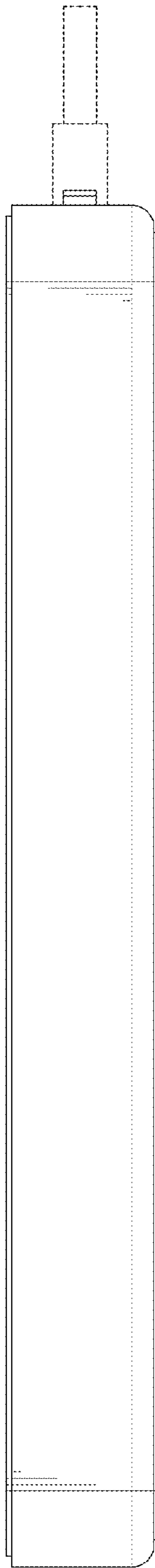


FIG. 21

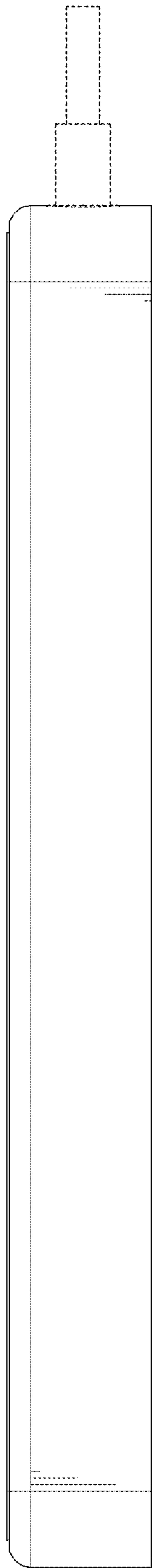


FIG. 22

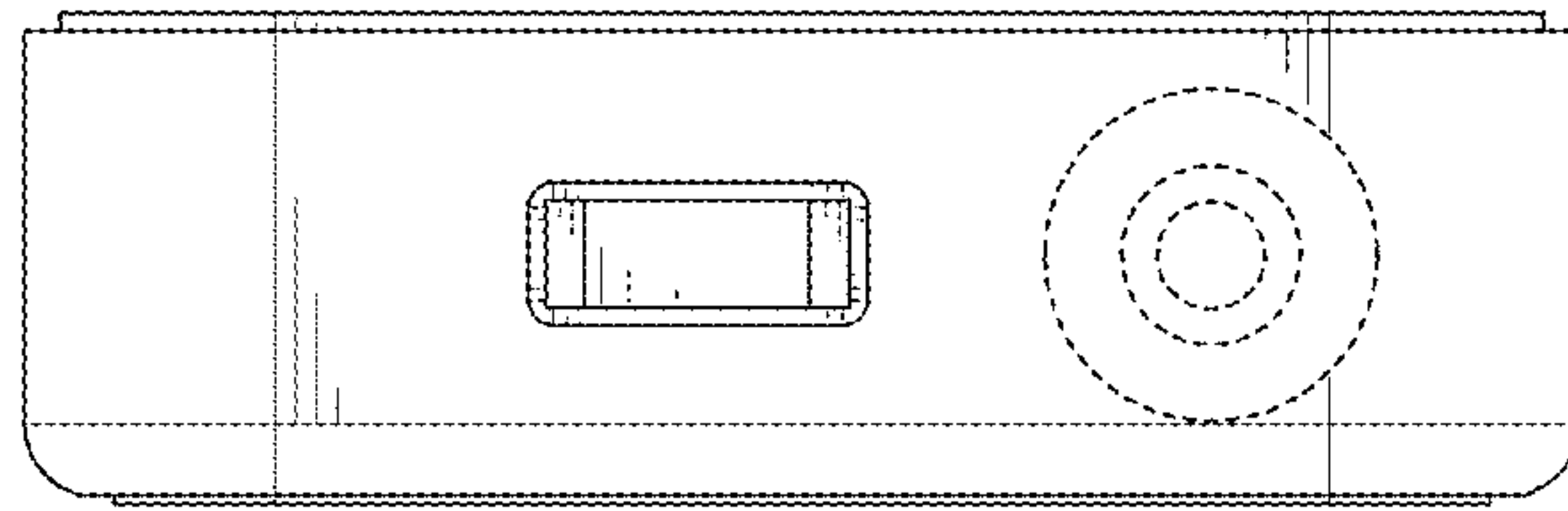


FIG. 23

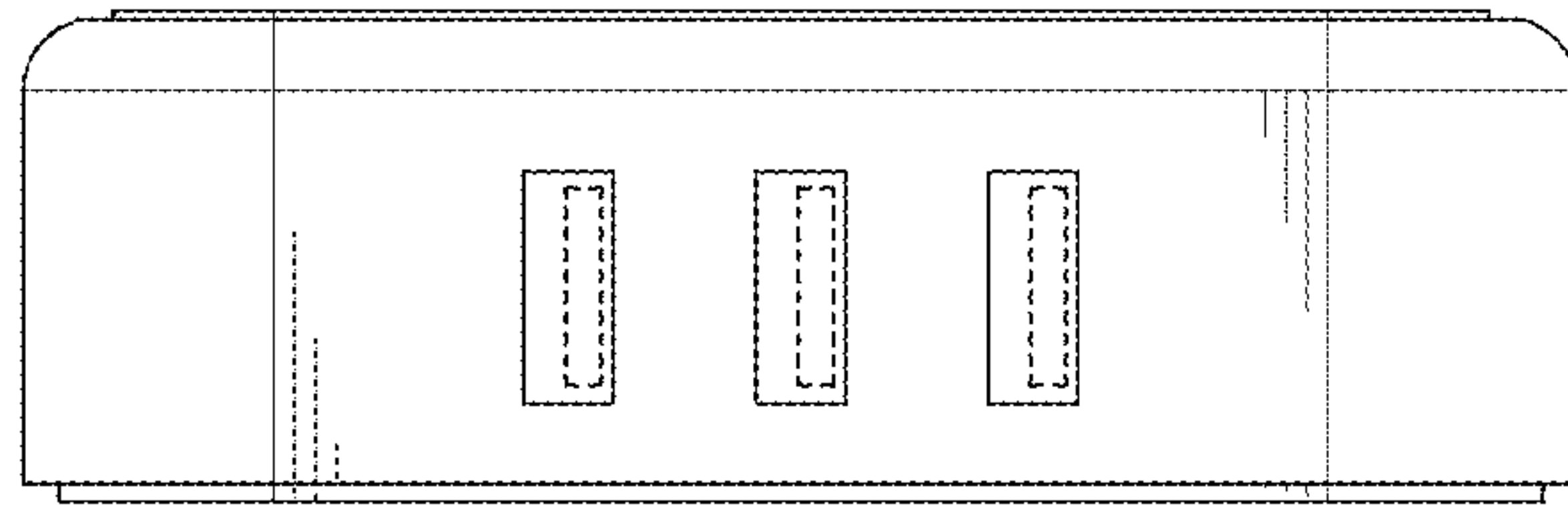


FIG. 24