



US00D881819S

(12) **United States Design Patent**
Shan et al.

(10) **Patent No.:** **US D881,819 S**
(45) **Date of Patent:** **** Apr. 21, 2020**

- (54) **POWER STRIP**
- (71) Applicant: **Steelcase Inc.**, Grand Rapids, MI (US)
- (72) Inventors: **Penghao Shan**, Munich (DE); **John M. Allen**, Grand Rapids, MI (US); **Justin G. Beitzel**, Grand Rapids, MI (US); **Alban Moriniere**, Munich (DE); **William Bennie**, Rockford, MI (US)
- (73) Assignee: **Steelcase Inc.**, Grand Rapids, MI (US)
- (**) Term: **15 Years**
- (21) Appl. No.: **29/662,279**
- (22) Filed: **Sep. 4, 2018**
- (51) **LOC (12) Cl.** **13-03**
- (52) **U.S. Cl.**
USPC **D13/139.7**
- (58) **Field of Classification Search**
USPC D13/103, 107, 108, 110, 118, 119, 123,
D13/133, 137.1-137.4, 138.1-138.2,
D13/139.1-139.8, 152-154, 184, 199
CPC H01R 25/00; H01R 25/006; H01R 13/00;
H01R 13/04; H01R 13/10; H01R
13/6666; H01R 13/6675; H01R 9/00;
H01R 11/00; H01H 2207/00; H01H
2207/022; H01H 2203/00; H02J 7/00;
H02J 7/0003; H02J 7/0011; H02J 7/0013;
H02J 7/0054; H02J 7/0055; H02J 7/0057;
H01M 2/02; H01M 2/022; H01M 2/0202;
H01M 2/0207; H01M 2/0212; H01M
2220/10; H01M 2220/20; Y02E 60/12;
Y02E 60/122; Y02E 60/124; Y02E 60/50
See application file for complete search history.

- D285,065 S 8/1986 Bobrovniczky
- D304,324 S 10/1989 Lovett et al.
- D319,213 S 8/1991 Wiand
- D327,873 S 7/1992 Luu
- 5,272,587 A * 12/1993 Wan H01R 13/6666
361/111
- D366,865 S 2/1996 Stringer
- D379,965 S 6/1997 Parshad
- D382,856 S 8/1997 Harwood
- D391,550 S 3/1998 Stekelenburg
- 5,780,775 A 7/1998 Yu
- D397,089 S 8/1998 Gargano
- D399,823 S 10/1998 Stekelenburg
- D400,504 S 11/1998 Stekelenburg
- D400,505 S 11/1998 Yu
- D401,219 S 11/1998 Stekelenburg
- D401,220 S 11/1998 Dwight et al.
- D402,963 S 12/1998 Parshad
- D411,169 S 6/1999 West
- D412,488 S * 8/1999 Lien D13/123

(Continued)

Primary Examiner — Rosemary K Tarcza
Assistant Examiner — Christy M Nemeth
(74) *Attorney, Agent, or Firm* — Brinks Gilson & Lione

(57) **CLAIM**

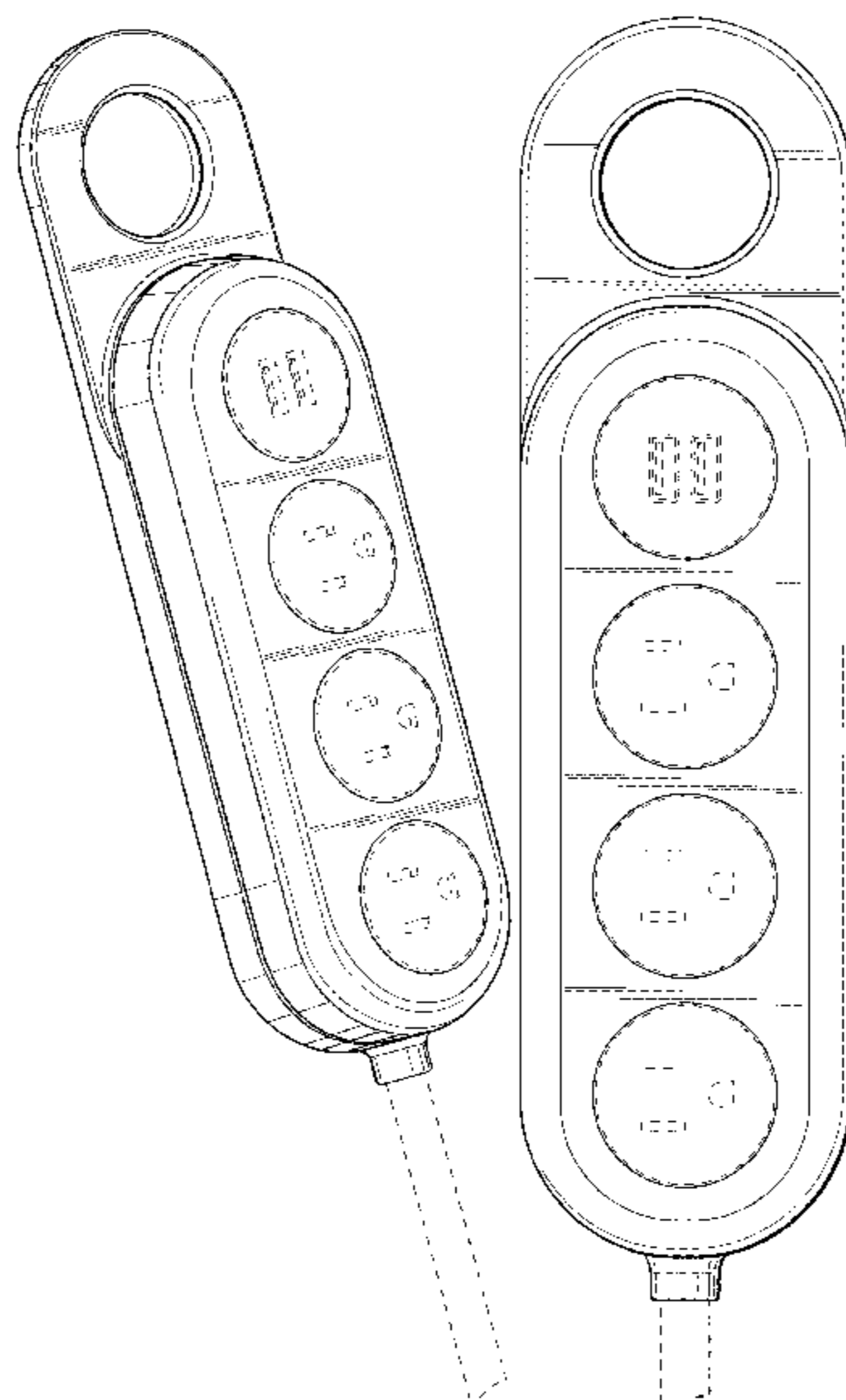
We claim the ornamental design for a power strip, as shown and described.

DESCRIPTION

FIG. 1 is a top, front, left side perspective view of a power strip;
FIG. 2 is a top plan view thereof;
FIG. 3 is a bottom plan view thereof;
FIG. 4 is a front elevation view thereof;
FIG. 5 is a rear elevation view thereof;
FIG. 6 is a left side elevation view thereof; and,
FIG. 7 is a right side elevation view thereof.
The broken lines in FIGS. 1-7 illustrate portions of the power strip that form no part of the claimed design.

- (56) **References Cited**
U.S. PATENT DOCUMENTS
D270,629 S 9/1983 Drew
D279,979 S 8/1985 Kovacic et al.

1 Claim, 4 Drawing Sheets



(56)

References Cited

U.S. PATENT DOCUMENTS

D425,482 S 5/2000 Rossman et al.
 D425,863 S 5/2000 Yu
 D428,327 S 7/2000 Stekelenburg
 D430,119 S 8/2000 Fekete et al.
 D435,515 S * 12/2000 Stekelenburg D13/139.6
 D435,516 S * 12/2000 Stekelenburg D13/139.8
 D436,923 S * 1/2001 Stekelenburg D13/139.8
 D439,562 S 3/2001 Veino et al.
 D442,550 S 5/2001 Tong et al.
 D443,591 S 6/2001 Tong et al.
 D444,770 S 7/2001 Tong et al.
 D445,091 S 7/2001 Tong et al.
 D445,403 S 7/2001 Veino et al.
 D460,416 S 7/2002 Stekelenburg
 D466,079 S 11/2002 Stekelenburg
 D473,190 S 4/2003 Fan
 D487,726 S 3/2004 Okuda
 D489,685 S * 5/2004 Yu D13/139.8
 D490,777 S * 6/2004 Yu D13/139.8
 D507,237 S 7/2005 Gregory
 6,940,015 B2 9/2005 Fang
 D510,562 S * 10/2005 Lodato D13/108
 D511,140 S 11/2005 Blake, Jr. et al.
 D528,509 S 9/2006 Chesebro et al.
 D532,377 S 11/2006 Blake, Jr. et al.
 D534,496 S 1/2007 Vargas
 D548,188 S 8/2007 Vargas
 D549,657 S 8/2007 Ng
 D556,689 S 12/2007 Lee et al.
 D574,328 S 8/2008 Chen et al.
 D577,679 S 9/2008 Lee
 D614,575 S 4/2010 TerMeer et al.
 D636,345 S 4/2011 Cullen et al.
 D636,728 S * 4/2011 Terleski D13/139.4
 D642,529 S * 8/2011 Su D13/137.2

D642,982 S 8/2011 Shi
 D662,056 S * 6/2012 Lee D13/139.8
 D667,795 S * 9/2012 Zien H01R 25/003
 D673,912 S * 1/2013 Benedetti D13/137.2
 D674,349 S 1/2013 Lee et al.
 D682,789 S 5/2013 Au
 D684,119 S 6/2013 Barzman et al.
 D685,741 S 7/2013 Byrne et al.
 D686,574 S 7/2013 Miller
 D693,770 S * 11/2013 Miller D13/139.2
 D701,834 S 4/2014 Lee et al.
 D712,837 S * 9/2014 Chuang D13/139.1
 D762,175 S 7/2016 Byrne et al.
 D775,081 S * 12/2016 Xu D13/139.6
 D786,797 S * 5/2017 Hsu D13/137.2
 D795,812 S * 8/2017 Huang D13/139.6
 D796,442 S * 9/2017 Xu D13/139.6
 D796,443 S * 9/2017 Xu D13/139.6
 D796,444 S * 9/2017 Xu D13/139.6
 D796,445 S * 9/2017 Xu D13/139.6
 D797,675 S * 9/2017 Xu D13/139.6
 D797,676 S * 9/2017 Xu D13/139.6
 D801,276 S * 10/2017 Lin D13/139.7
 D807,828 S * 1/2018 Xu D13/137.2
 D809,461 S 2/2018 Maskaly et al.
 D816,037 S * 4/2018 Byrne D13/137.2
 D816,038 S * 4/2018 Lu D13/137.3
 D816,039 S * 4/2018 Lu D13/139.8
 D823,805 S * 7/2018 Xu D13/139.8
 D828,304 S * 9/2018 Chen D13/139.8
 D832,215 S * 10/2018 Xu D13/137.2
 D834,519 S * 11/2018 Faul D13/137.2
 D836,542 S * 12/2018 Xu D13/107
 D837,736 S * 1/2019 Liao D13/139.7
 D852,749 S * 7/2019 Wang D13/139.8
 D856,937 S * 8/2019 Rupert D13/139.4
 2005/0121218 A1 6/2005 Fang

* cited by examiner

FIG. 1

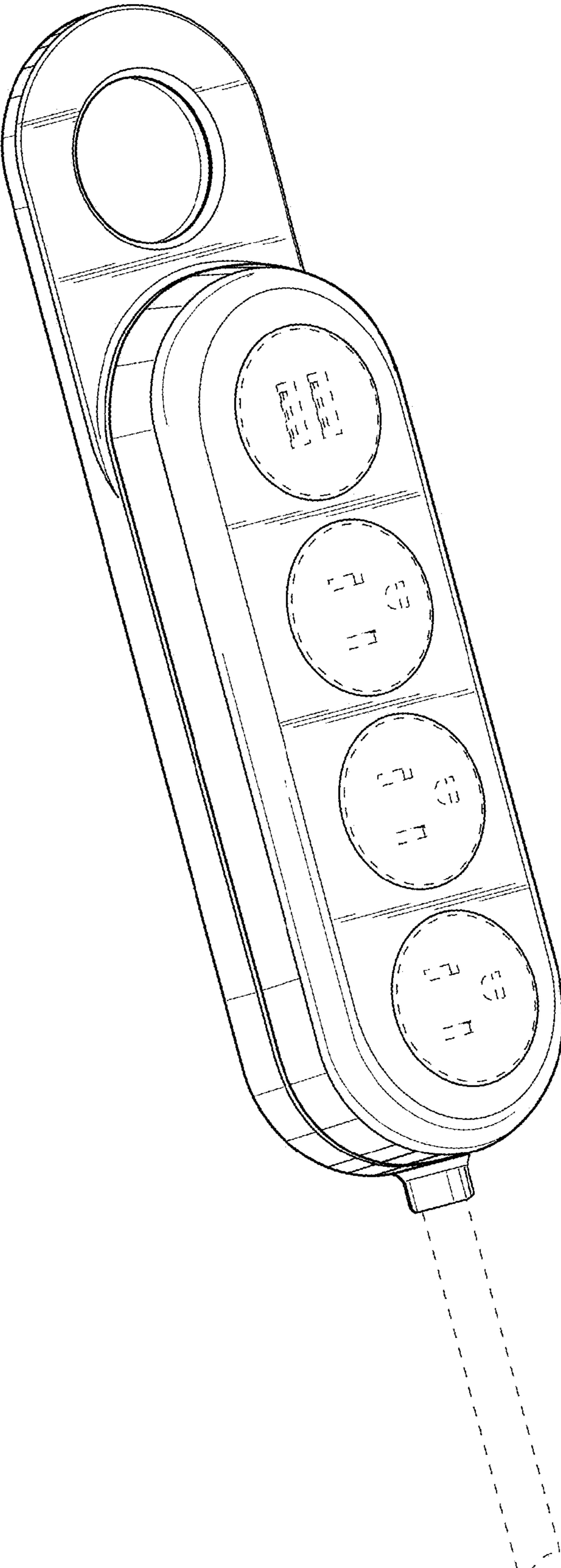


FIG. 2

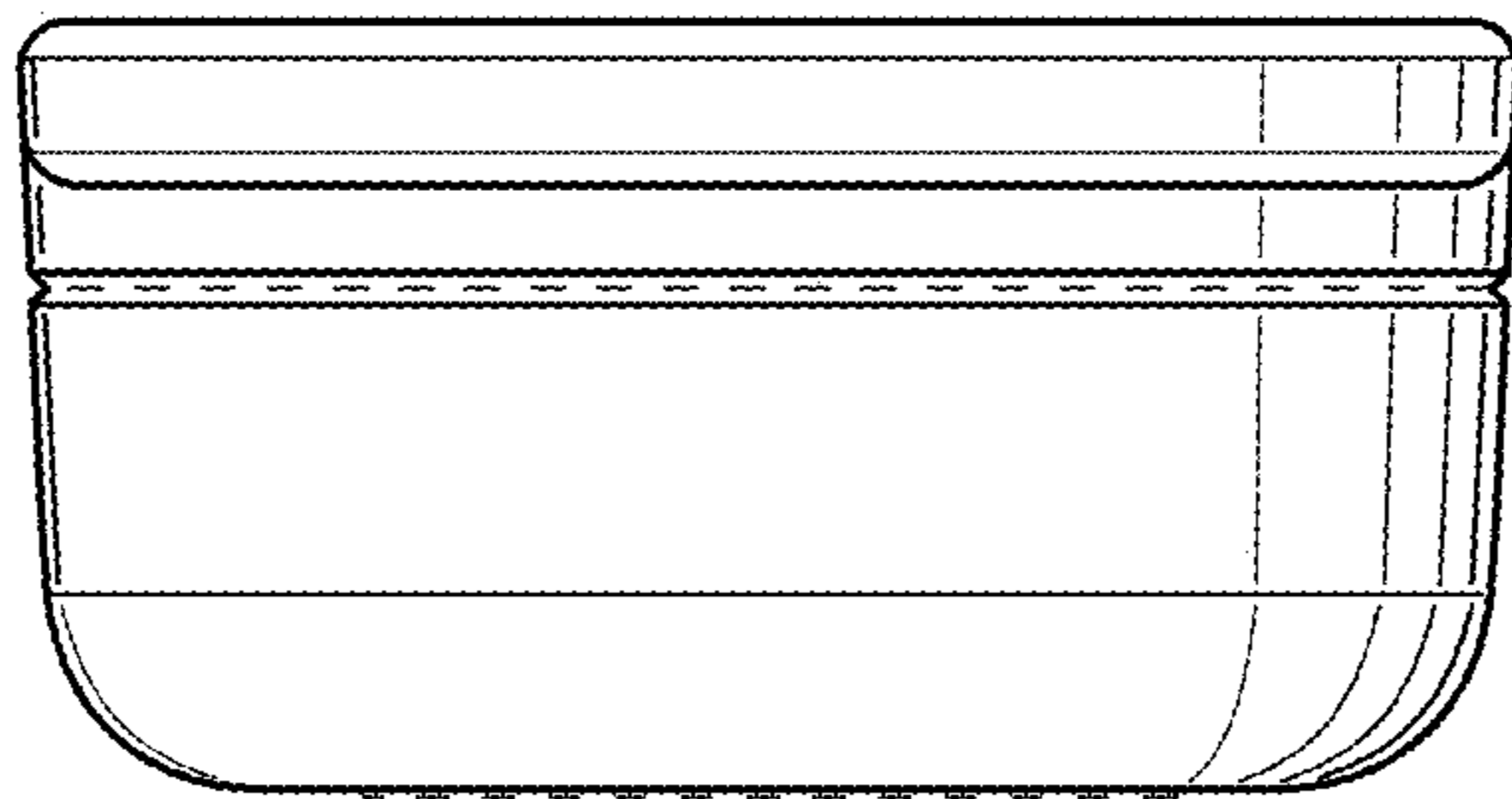


FIG. 3

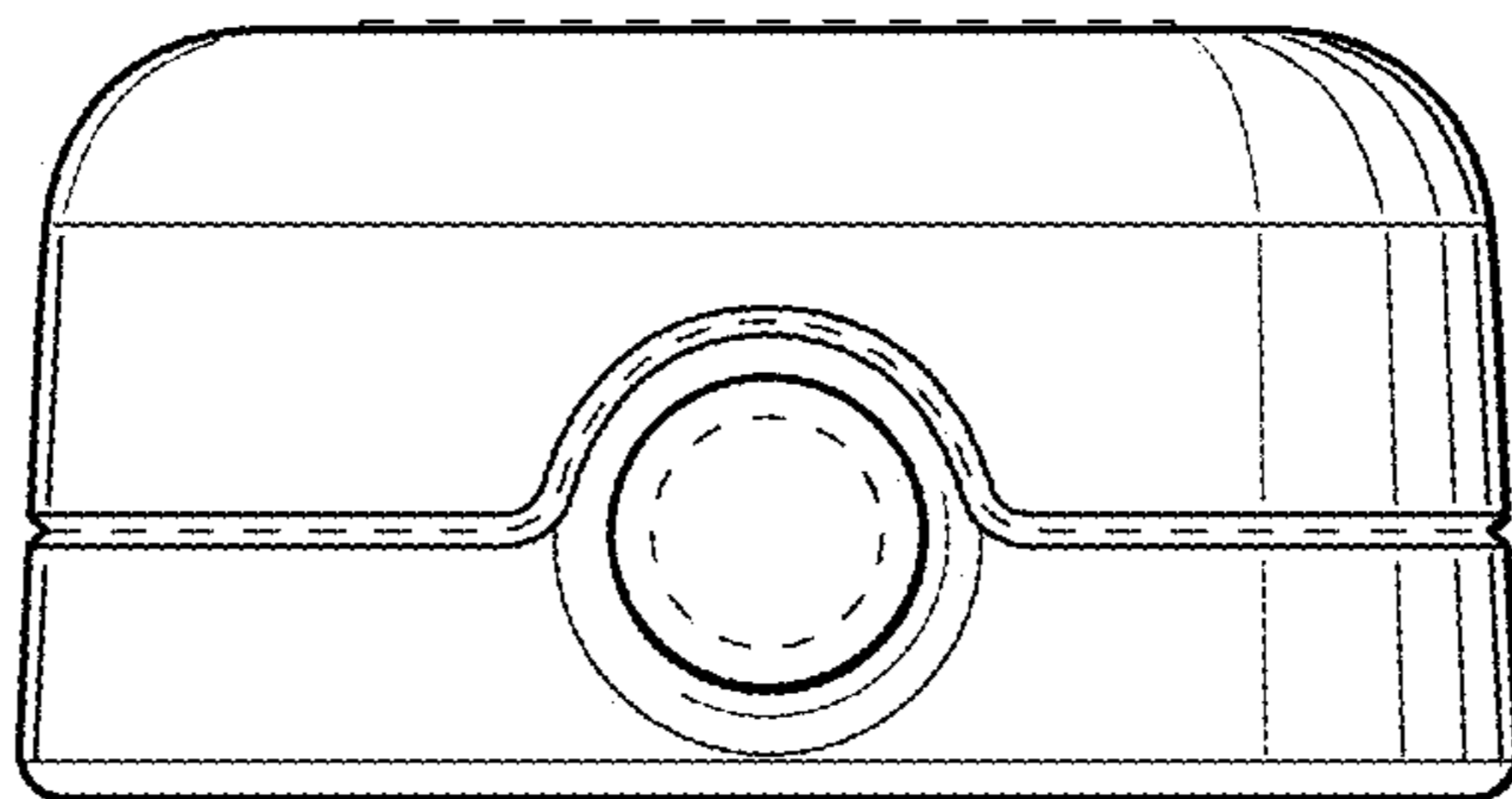


FIG. 4

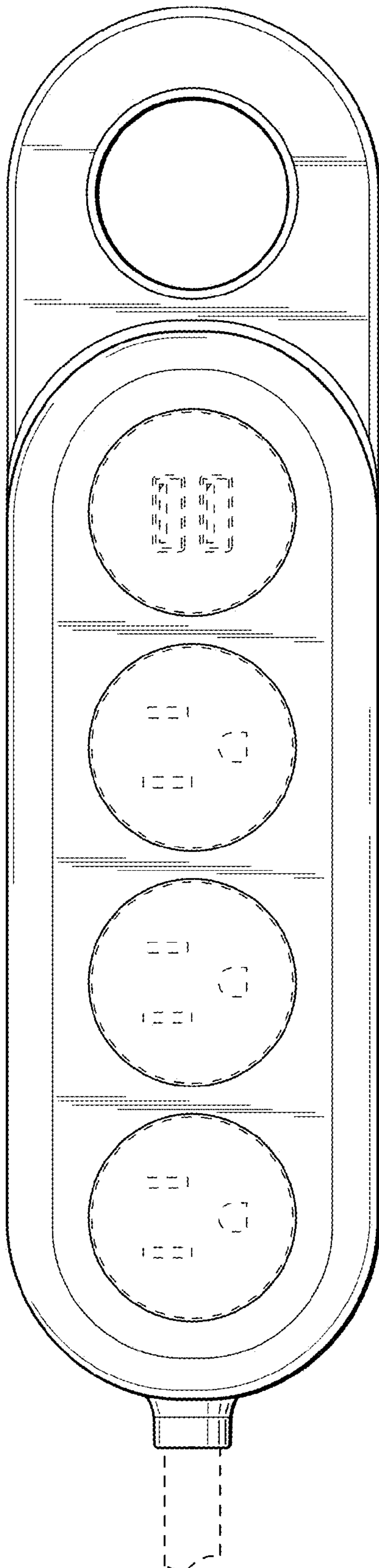


FIG. 5

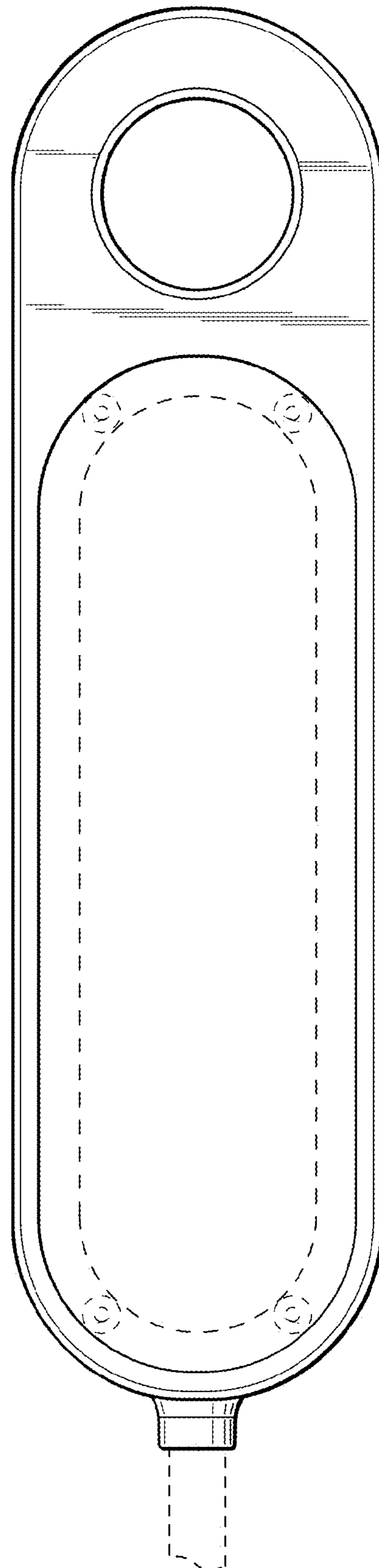


FIG. 6

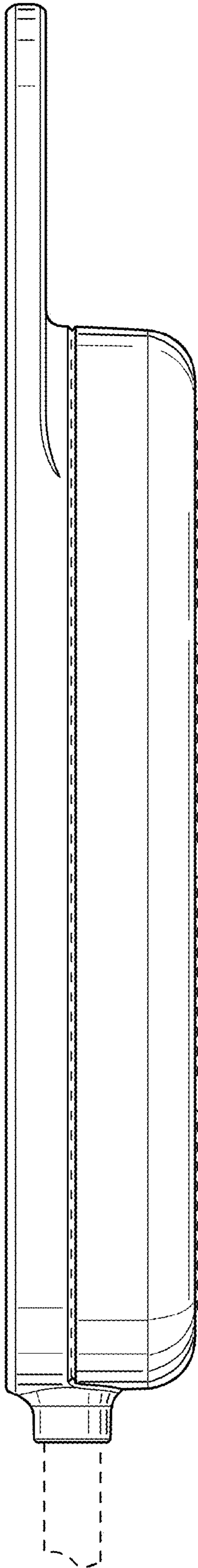


FIG. 7

