



US00D881818S

(12) **United States Design Patent** (10) **Patent No.:** **US D881,818 S**
Obata et al. (45) **Date of Patent:** **** Apr. 21, 2020**

(54) **DUMMY PIN FOR CONNECTOR**

(71) Applicant: **Japan Aviation Electronics Industry, Limited, Tokyo (JP)**

(72) Inventors: **Yusuke Obata, Tokyo (JP); Hiroaki Obikane, Tokyo (JP)**

(73) Assignee: **JAPAN AVIATION ELECTRONICS INDUSTRY, LIMITED, Tokyo (JP)**

(**) Term: **15 Years**

(21) Appl. No.: **29/715,892**

(22) Filed: **Dec. 5, 2019**

Related U.S. Application Data

(62) Division of application No. 29/666,792, filed on Oct. 16, 2018.

(30) **Foreign Application Priority Data**

Apr. 26, 2018 (JP) 2018-009235

(51) **LOC (12) Cl.** **13-03**

(52) **U.S. Cl.**
USPC **D13/133; D13/154**

(58) **Field of Classification Search**

USPC D13/110, 112, 118, 123, 133, 146-149, D13/154-156, 160, 173, 178, 184, 199
CPC .. F16B 19/04; F16B 23/00; F21S 8/00; G02B 6/38; H01H 33/66; H01H 33/664; H01R 9/05; H01R 13/04; H01R 13/52; H01R 13/58; H01R 13/639; H01R 13/66; H01R 24/66; H01R 31/06; H01R 12/00; H01R 13/17; H01R 13/42; H01R 13/443; H01R 13/5221; H02H 5/04

See application file for complete search history.

(56) **References Cited**

U.S. PATENT DOCUMENTS

4,923,416	A *	5/1990	Zinn	H01R 13/052
					439/877
6,267,622	B1 *	7/2001	Nagata	H01R 12/52
					439/603
D678,516	S *	3/2013	Wong	D24/121
D775,591	S *	1/2017	Davidson, Jr.	D13/153
D805,193	S *	12/2017	Shoji	D24/129
D863,222	S *	10/2019	Kimmel	D13/133
D865,105	S *	10/2019	Oglesby	D22/108
2009/0163072	A1 *	6/2009	Schimmele-Brell	H01R 13/5221
					439/357
2015/0050824	A1 *	2/2015	Blakborn	H01R 4/4863
					439/252
2015/0086036	A1 *	3/2015	Wang	H04R 1/08
					381/91
2019/0067888	A1 *	2/2019	Ljubijankic	H01R 13/6587
2019/0215997	A1 *	7/2019	Hirooka	H05K 1/02
2019/0356076	A1 *	11/2019	Obata	H01R 13/5208

* cited by examiner

Primary Examiner — Angela J Lee

Assistant Examiner — Shawn T Gingrich

(74) *Attorney, Agent, or Firm* — Manabu Kanesaka

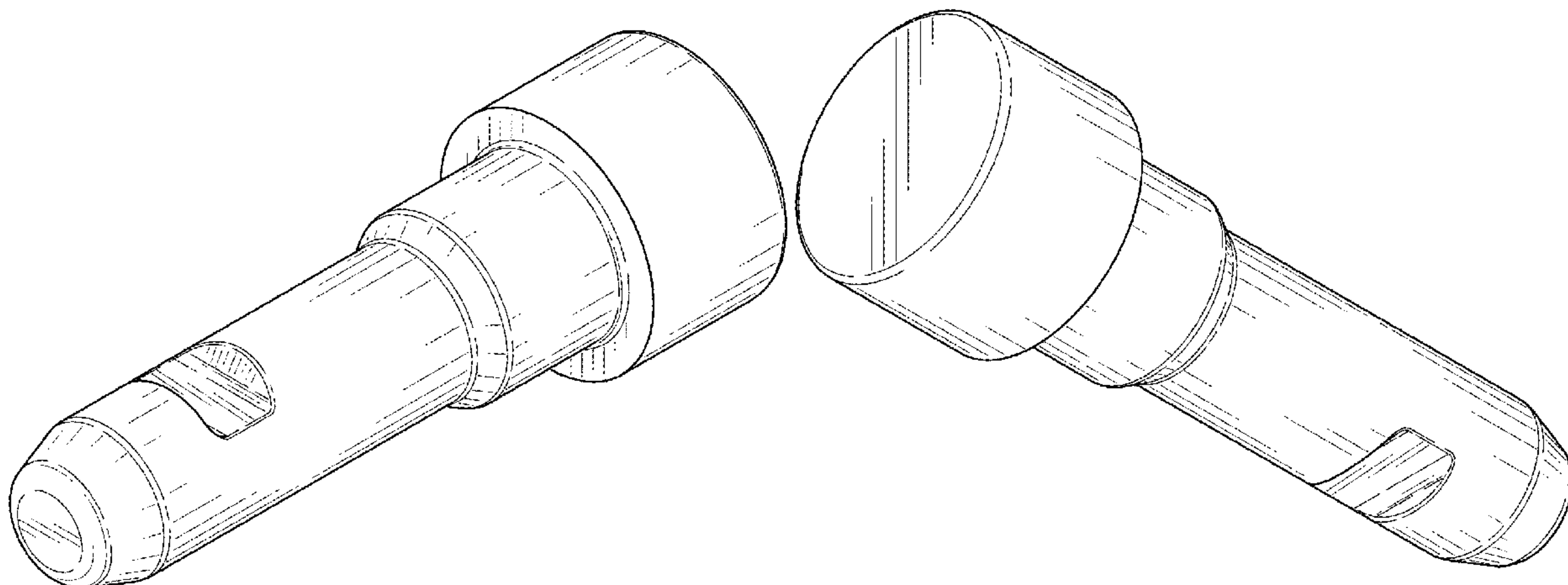
(57) **CLAIM**

The ornamental design for a dummy pin for connector, as shown and described.

DESCRIPTION

FIG. 1 is a front elevational view of a dummy pin for connector showing our new design;
FIG. 2 is a rear elevational view thereof;
FIG. 3 is a right side elevational view thereof;
FIG. 4 is a left side elevational view thereof;
FIG. 5 is a top plan view thereof;
FIG. 6 is a bottom plan view thereof;
FIG. 7 is a perspective view from a front side thereof; and,
FIG. 8 is a perspective view from a rear side thereof.

1 Claim, 4 Drawing Sheets



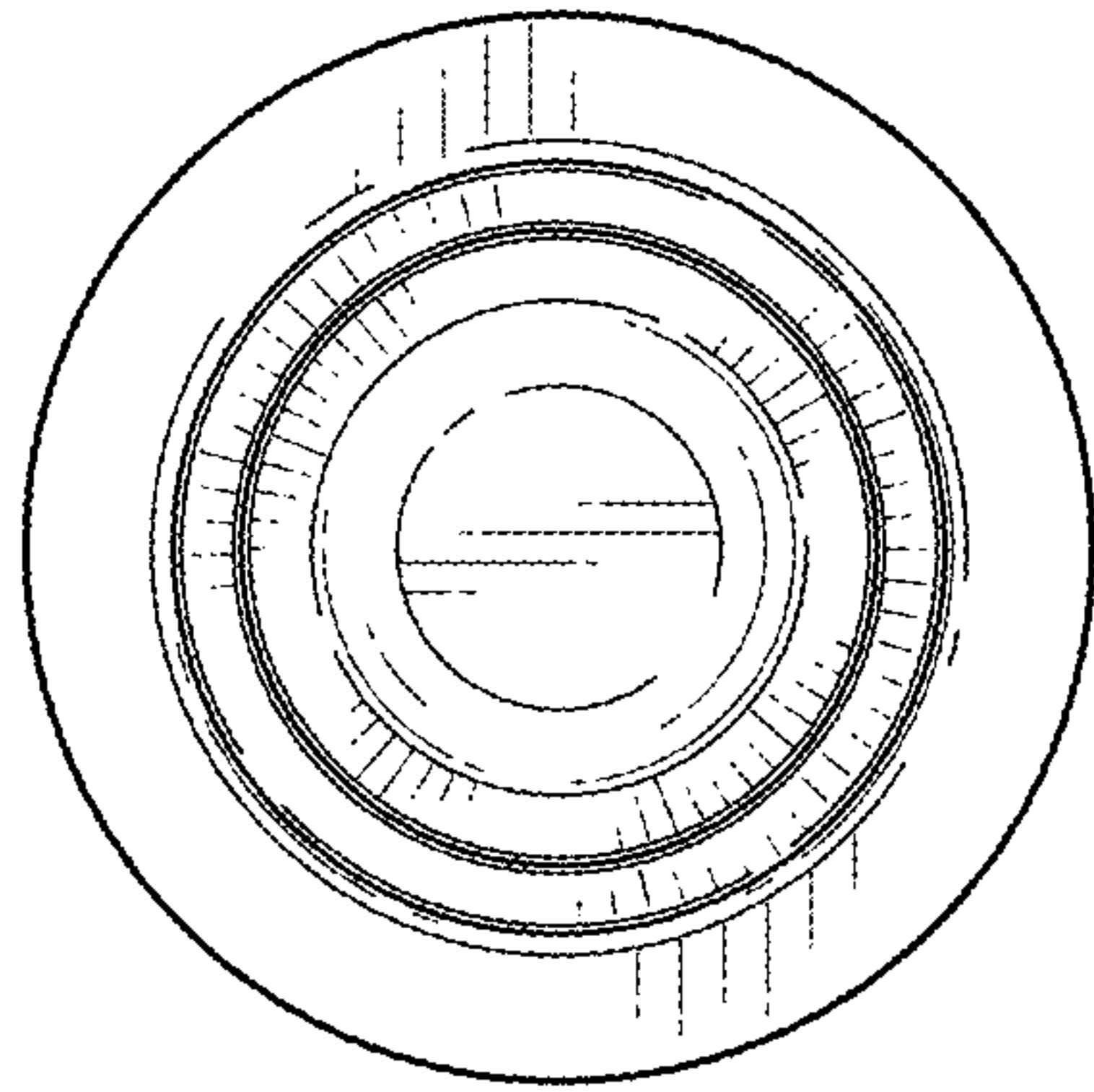


FIG. 1

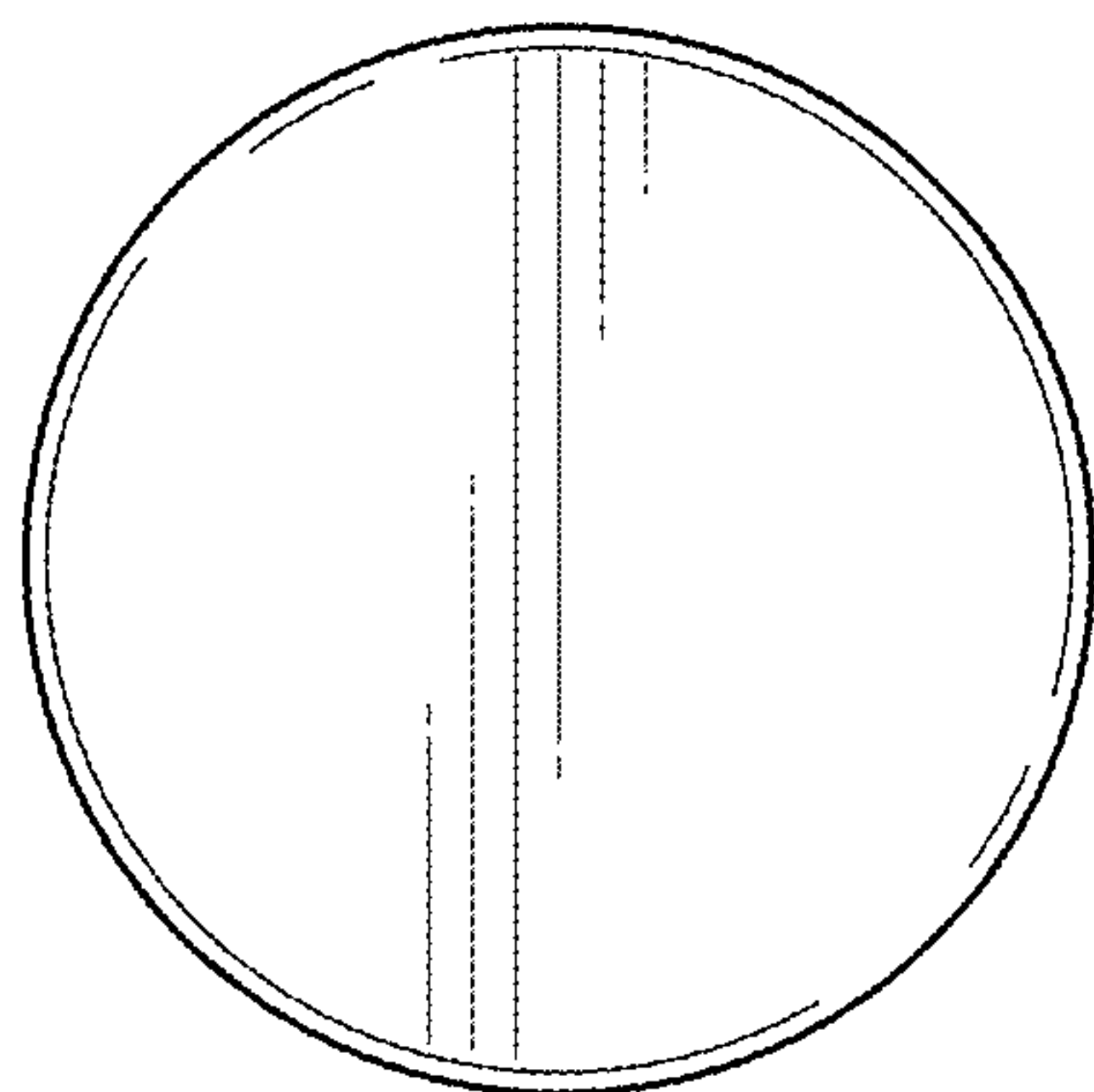


FIG. 2

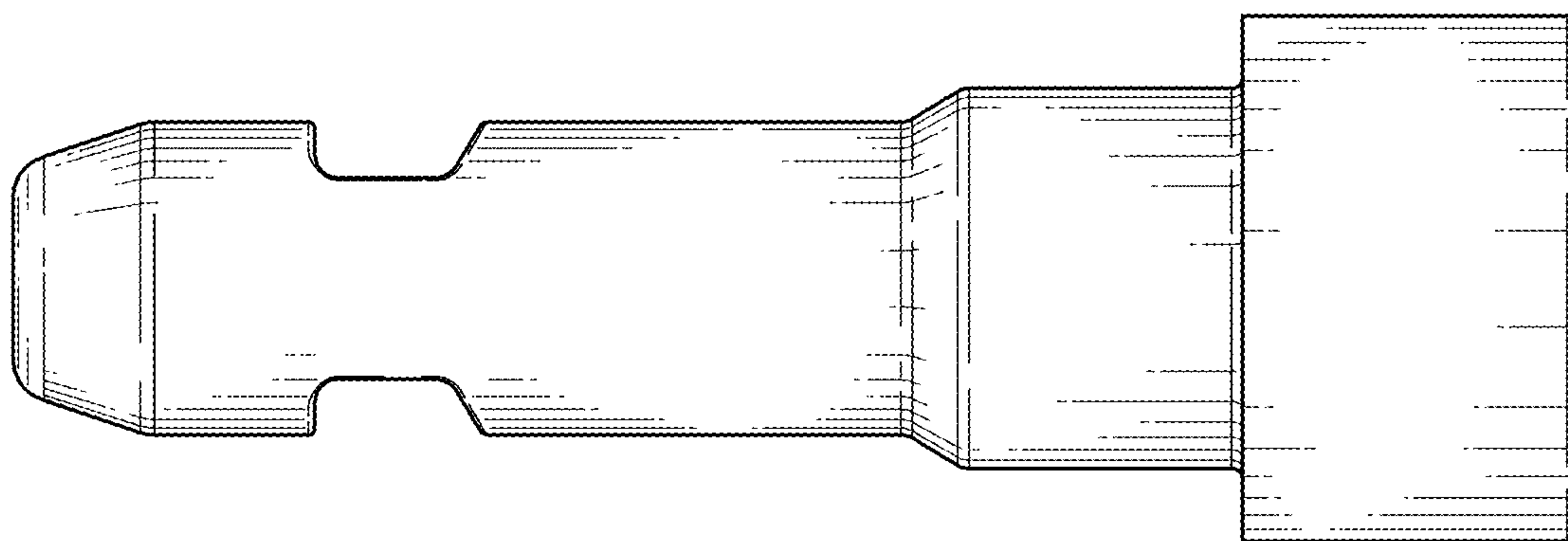


FIG. 3

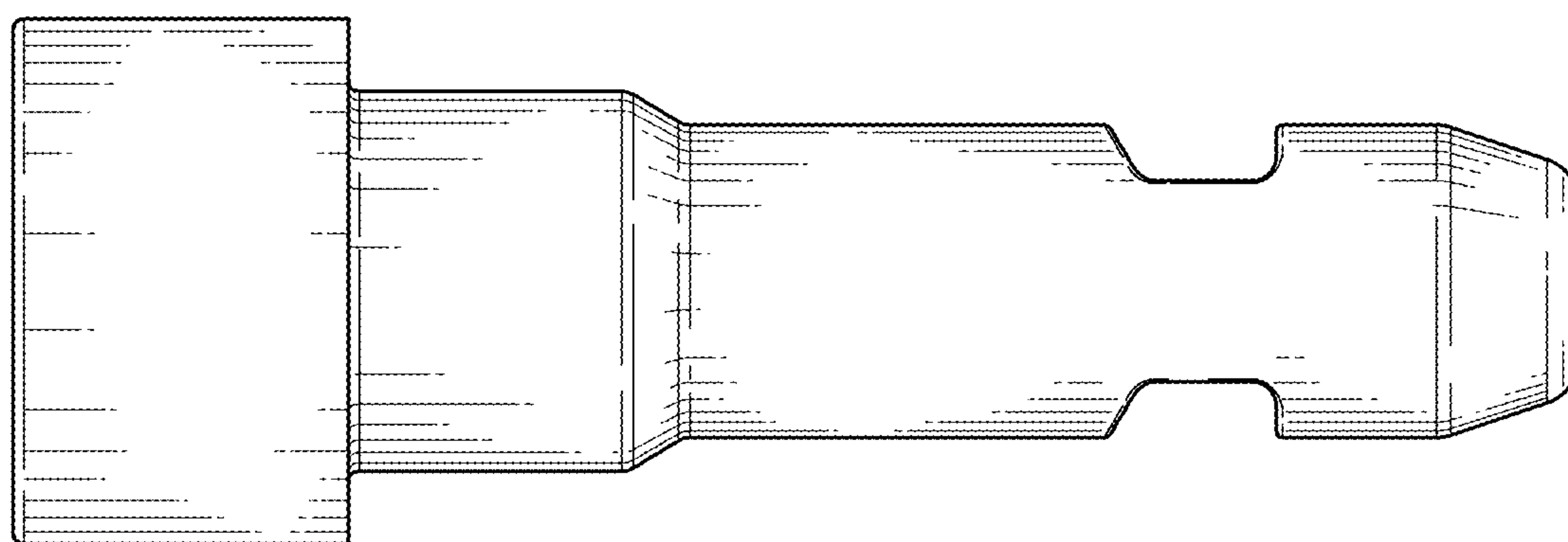


FIG. 4

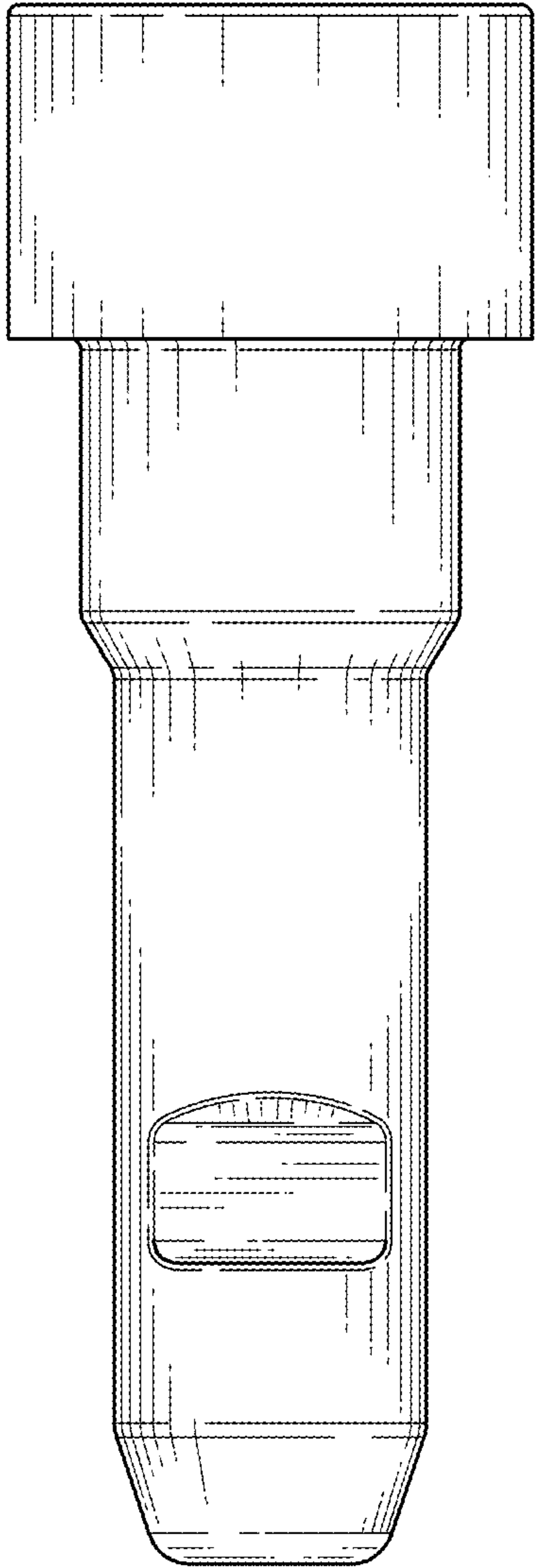


FIG. 5

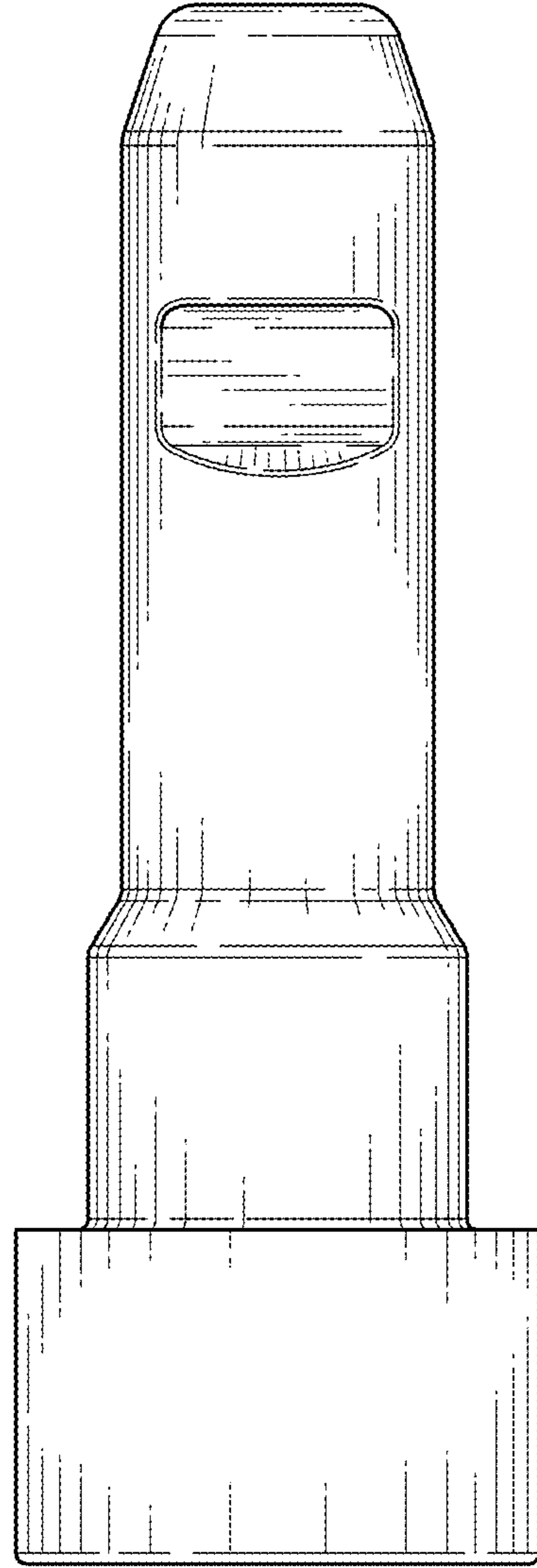


FIG. 6

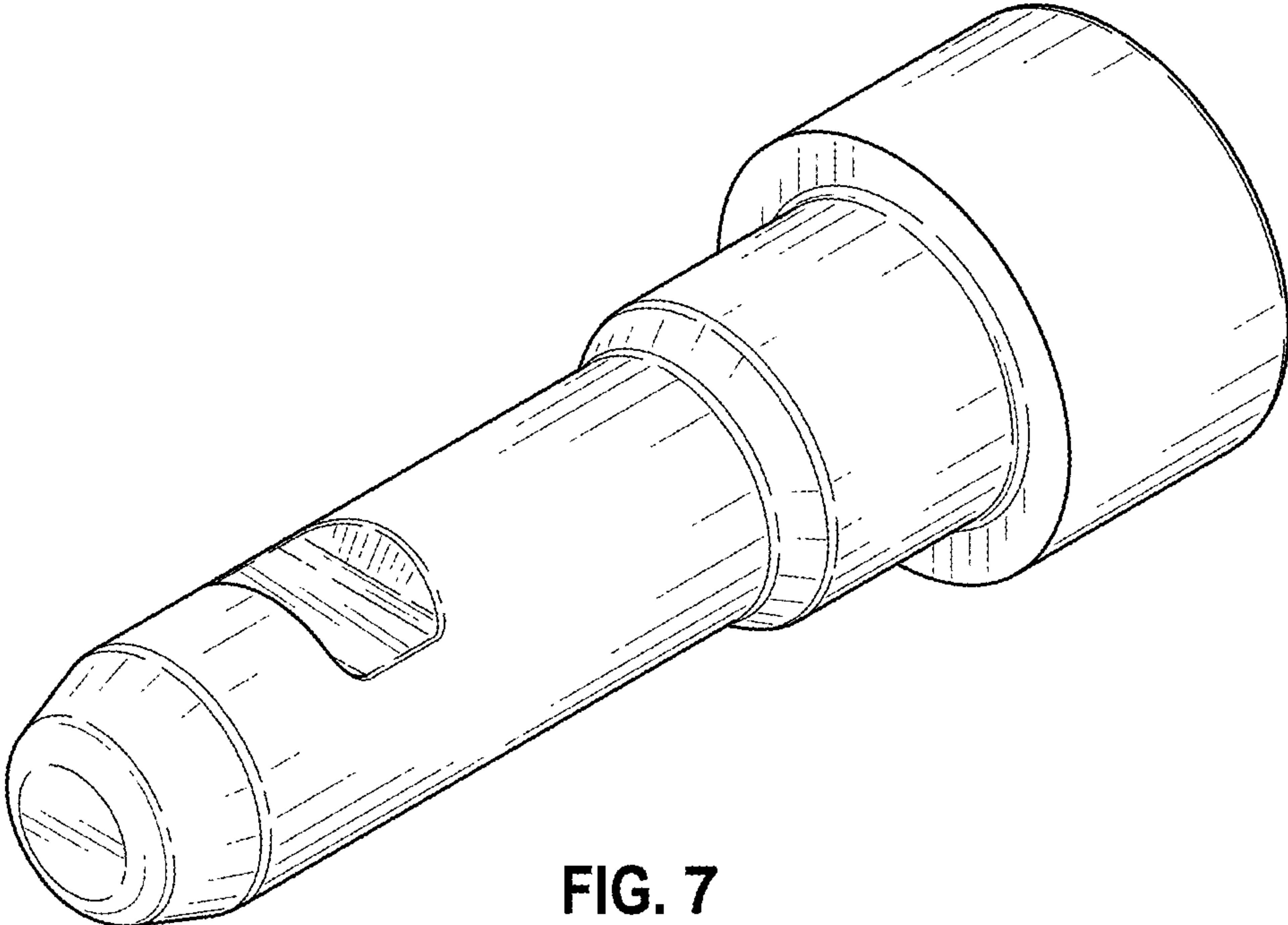


FIG. 7

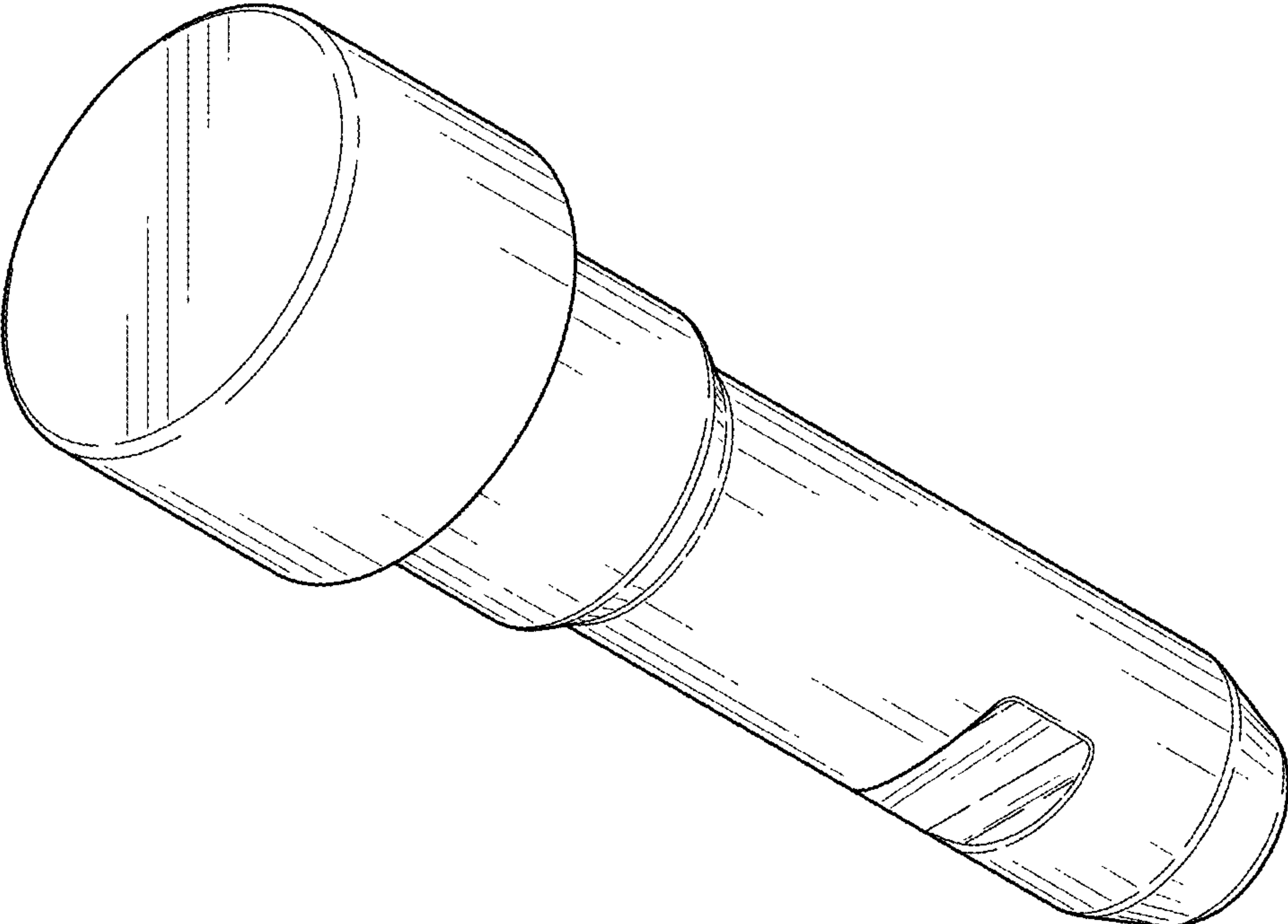


FIG. 8